



US00D392131S

United States Patent [19] Flagg

[11] Patent Number: Des. 392,131

[45] Date of Patent: **Mar. 17, 1998

[54] **REMOVABLE SHELF FOR A DISPLAY CASE**

[75] Inventor: Douglas B. Flagg, West Linn, Oreg.

[73] Assignee: Kai U.S.A., Ltd., Wilsonville, Oreg.

[**] Term: 14 Years

[21] Appl. No.: 65,379

[22] Filed: Jan. 27, 1997

[51] LOC (6) Cl. 06-04

[52] U.S. Cl. D6/511; D6/513

[58] Field of Search D6/467, 466, 509-511,
D6/513, 491, 492, 408, 449, 574; D20/43;
108/180, 59, 25, 27; 211/86-90, 126.16,
133.6, 134, 135, 153

[56] **References Cited**

U.S. PATENT DOCUMENTS

D. 281,477	11/1985	Neff	D6/574
D. 325,308	4/1992	Cojan	D6/491
D. 333,584	3/1993	Starr, IV	D6/574
D. 339,260	9/1993	Hillard et al.	D6/574
D. 363,180	10/1995	Carter	D6/513
1,243,059	10/1917	Friesleben	211/90

FOREIGN PATENT DOCUMENTS

527860	7/1956	Canada	108/27
--------	--------	--------	-------	--------

Primary Examiner—James Gandy
Assistant Examiner—Linda Brooks
Attorney, Agent, or Firm—Kolisch Hartwell Dickinson
McCormack & Heuser

[57] **CLAIM**

The ornamental design for a removable shelf for a display case, as shown and described.

DESCRIPTION

FIG. 1 is an isometric view of the preferred embodiment of the removable shelf according to the present invention, taken generally from the upper, front left corner of the shelf; FIG. 2 is a right side elevation view of the shelf shown in FIG. 1, with the left side elevation view of the shelf being a mirror image of FIG. 2;

FIG. 3 is a top plan view of the shelf shown in FIG. 2 with the bottom plan view of the shelf being a substantial mirror image of FIG. 3;

FIG. 4 is a front elevation view of the shelf shown in FIG. 2, with the rear elevation view of the shelf being a substantial mirror image of FIG. 4;

FIG. 5 is an isometric view of an alternative embodiment of the removable shelf according to the present invention, in which the removable shelf is opaque, taken generally from the upper, front left corner of the shelf as in FIG. 1;

FIG. 6 is a right side elevation view of the shelf shown in FIG. 5, with the left side elevation view of the shelf being a mirror image of FIG. 6;

FIG. 7 is a top plan view of the shelf shown in FIG. 5;

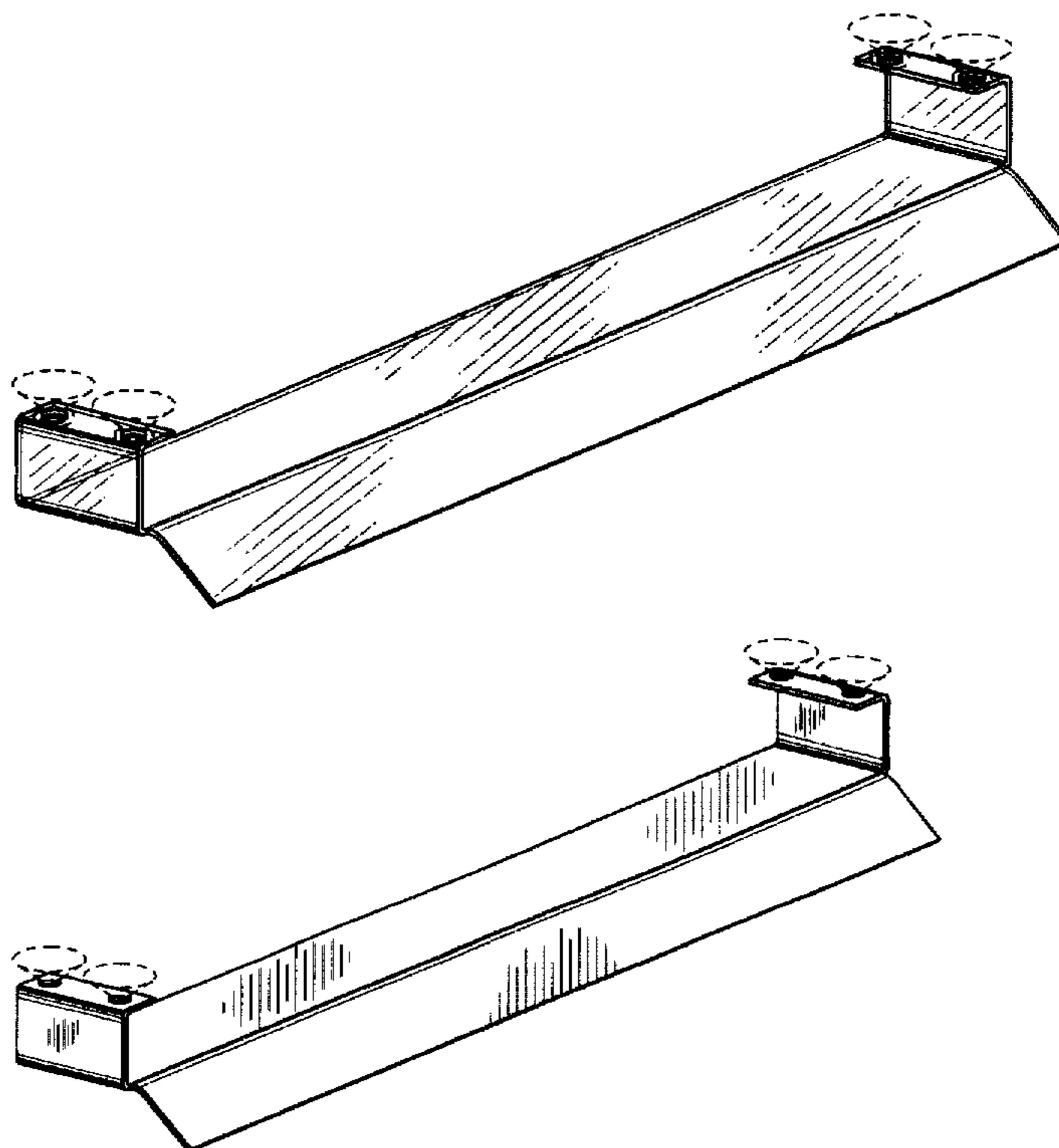
FIG. 8 is a front elevation view of the shelf shown in FIG. 5;

FIG. 9 is a bottom plan view of the shelf shown in FIG. 5; and,

FIG. 10 is a rear elevation view of the shelf shown in FIG. 5.

The broken lines showing environmental structure in FIGS. 1-10 are for illustrative purposes only and form no part of the claimed design.

1 Claim, 2 Drawing Sheets



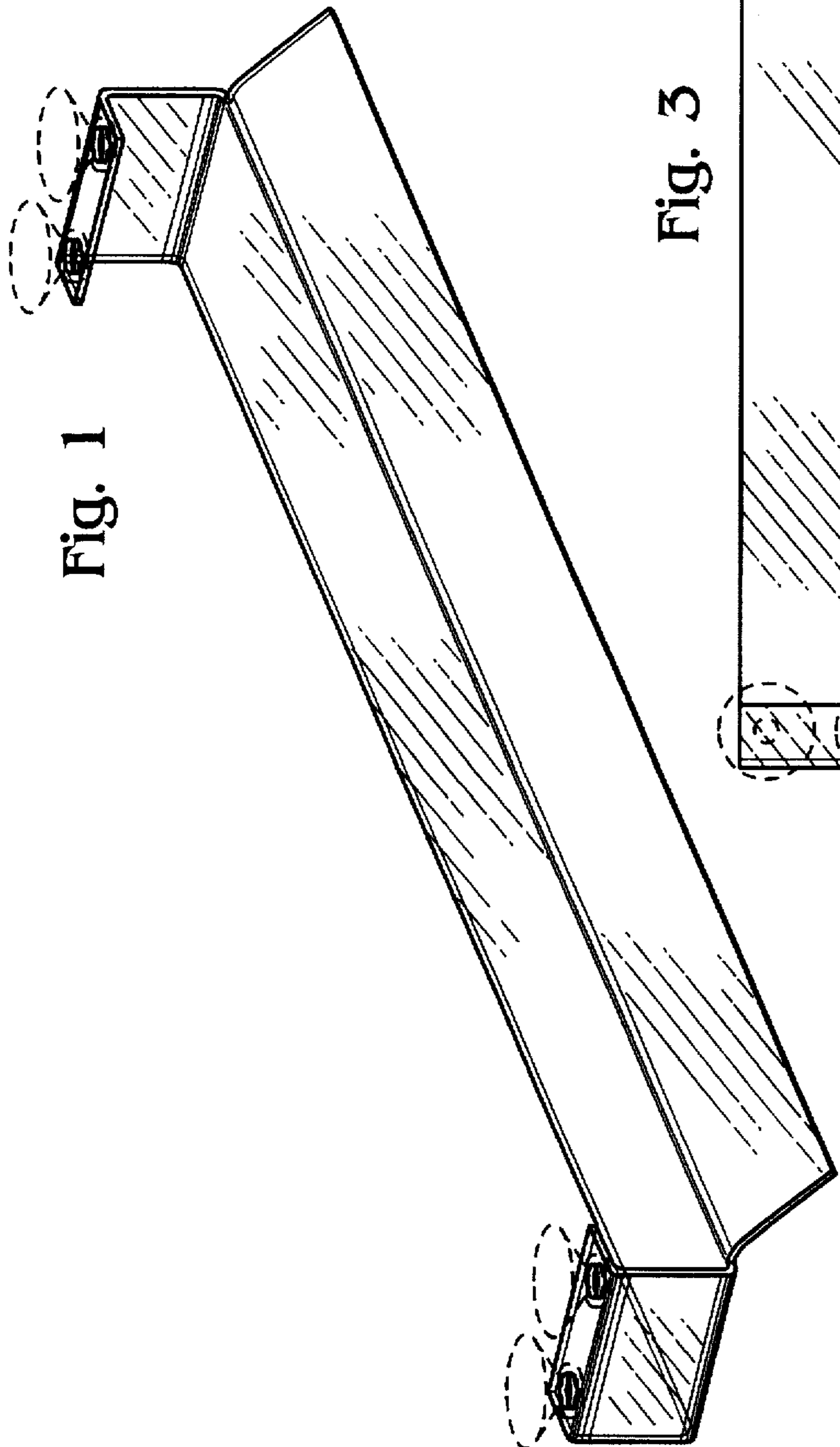


Fig. 1

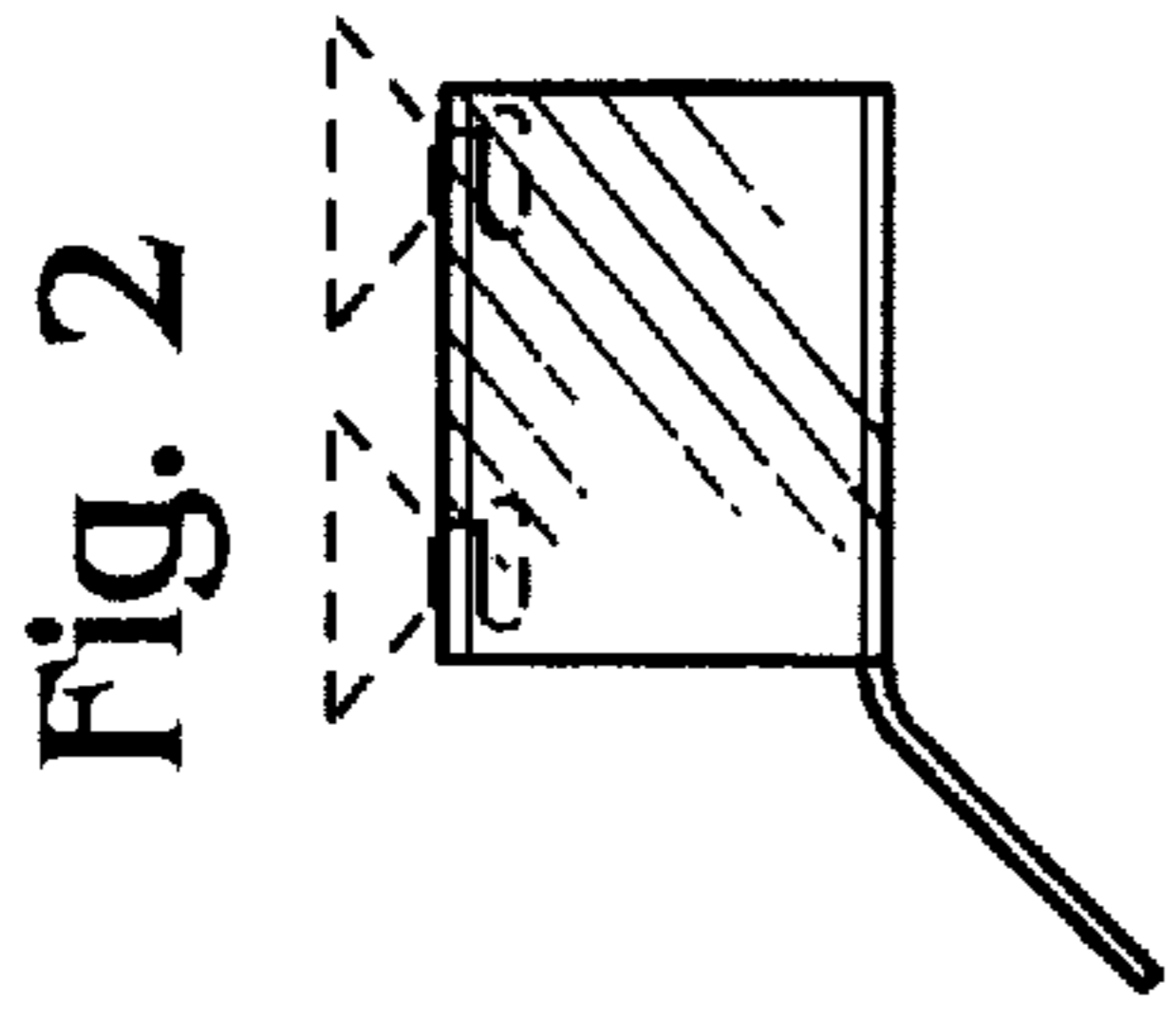


Fig. 2

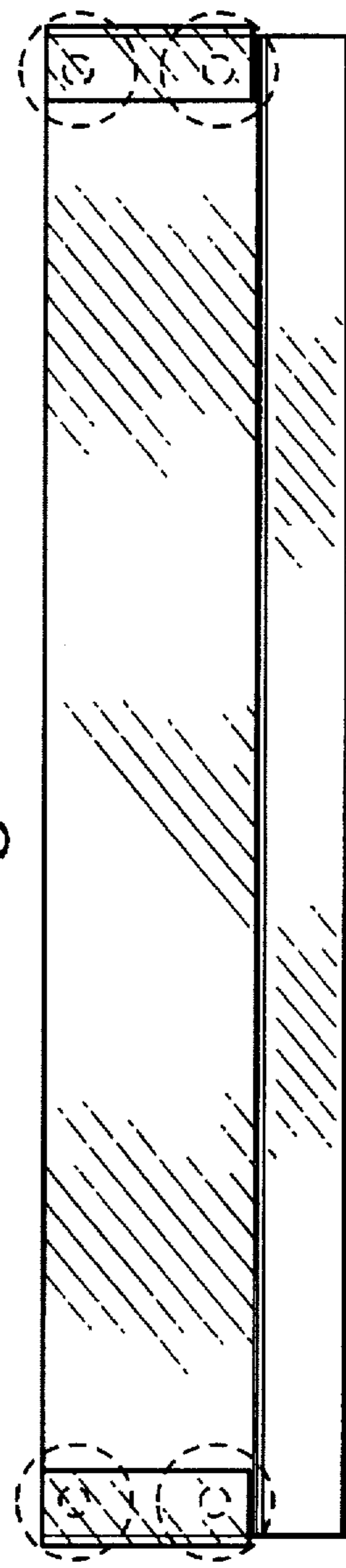


Fig. 3

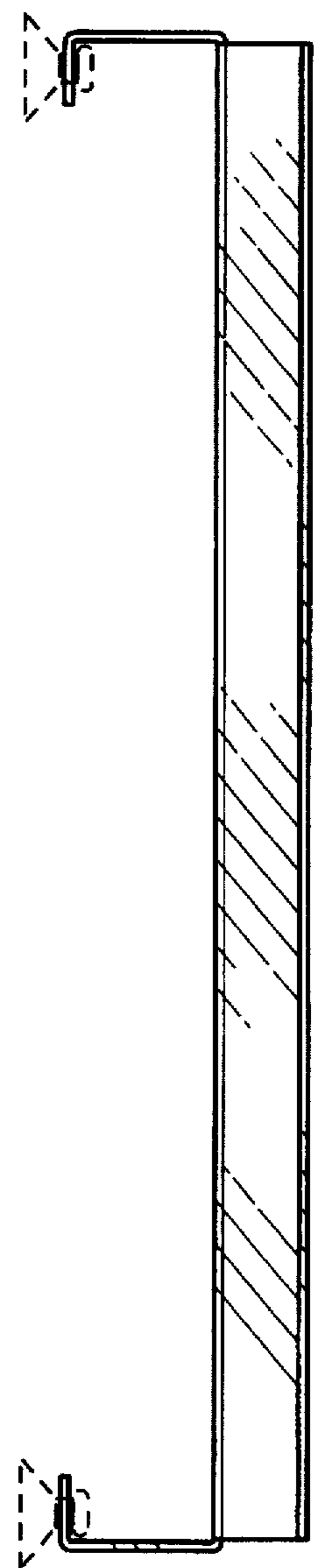


Fig. 4

Fig. 5

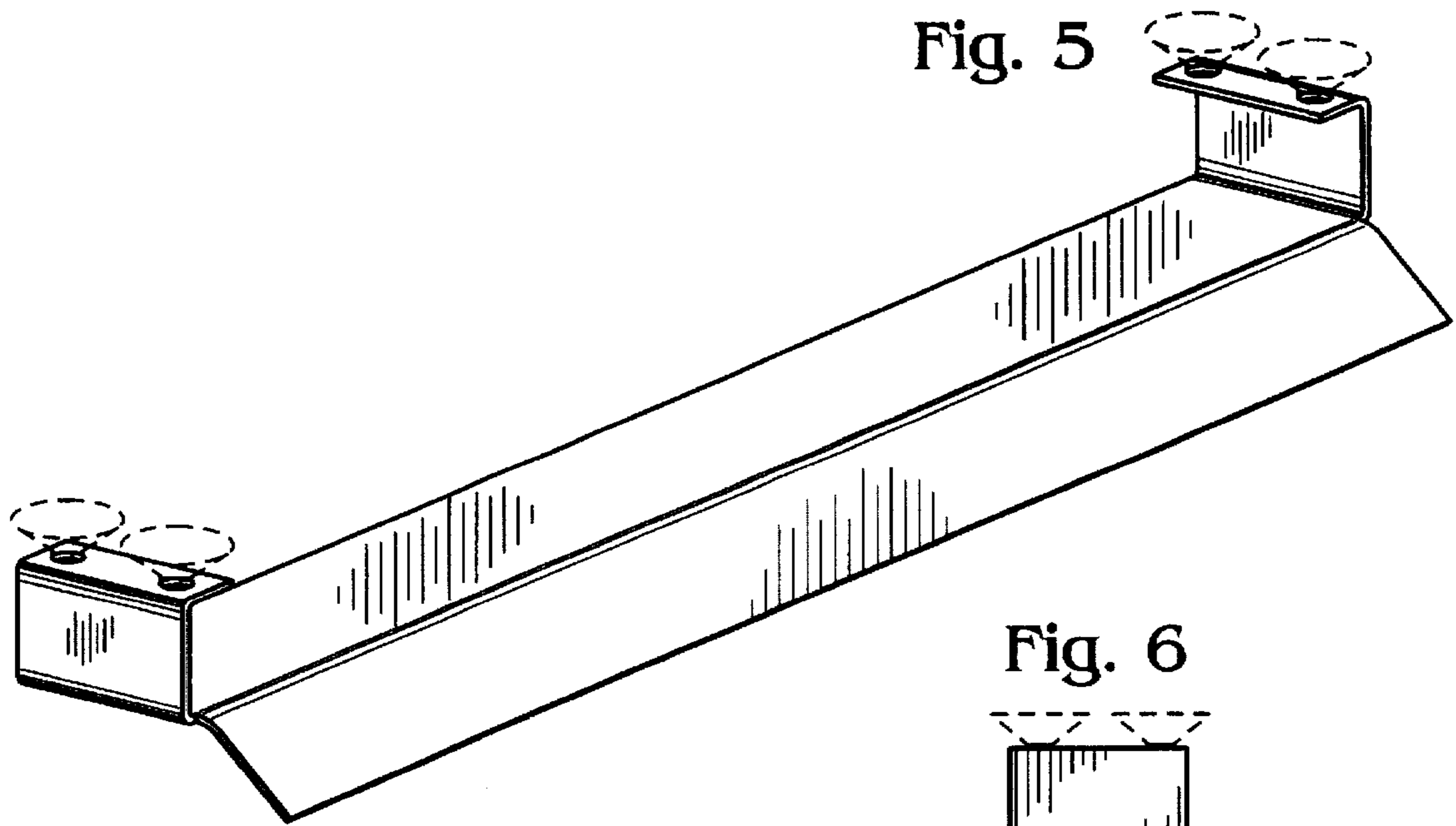


Fig. 6

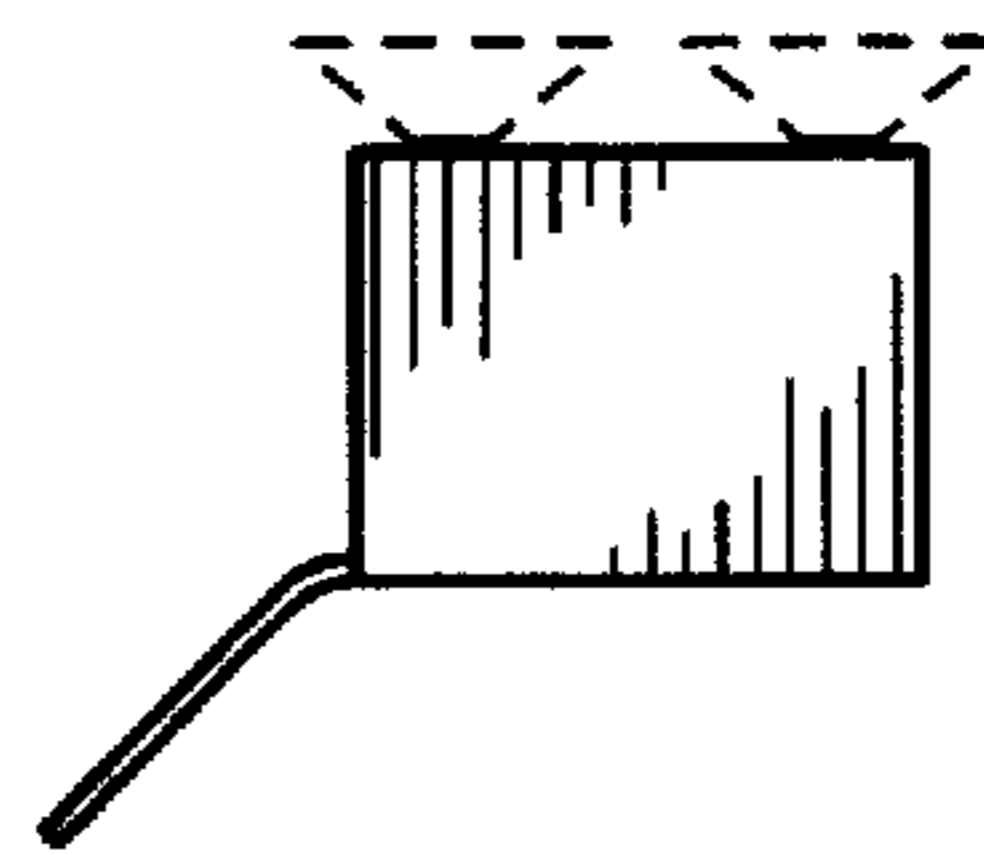


Fig. 7

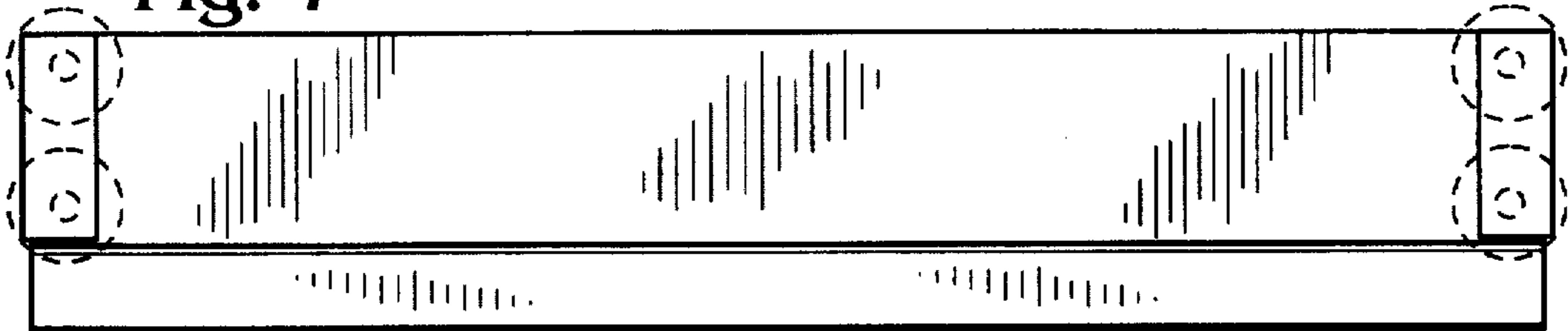


Fig. 8

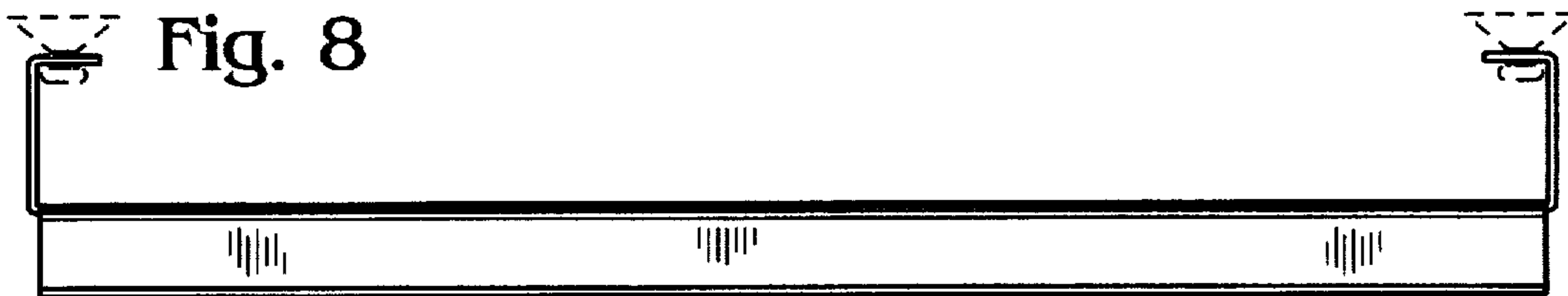


Fig. 9

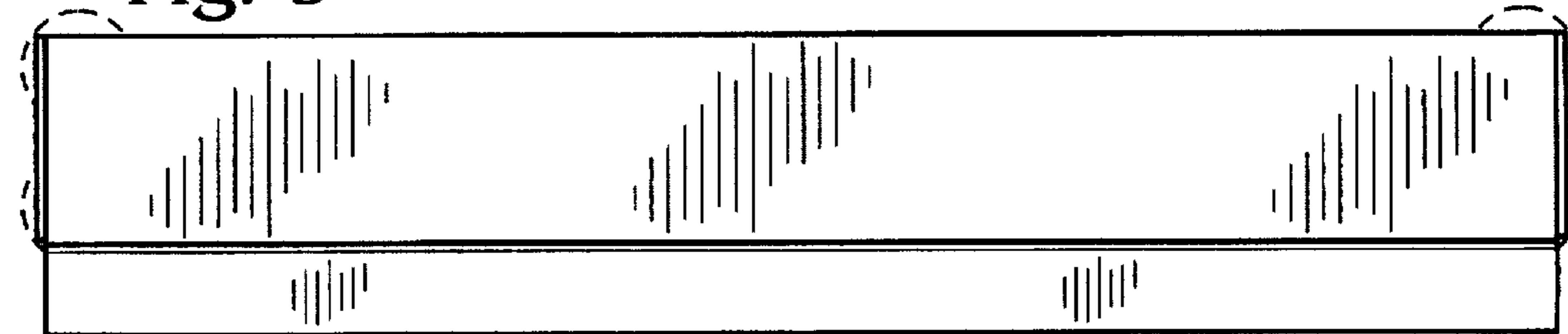


Fig. 10

