



US00D392128S

United States Patent [19]
Infanti

[11] **Patent Number: Des. 392,128**

[45] **Date of Patent: **Mar. 17, 1998**

[54] **BAR STOOL LEG ASSEMBLY**

[76] **Inventor: Vittorio Infanti**, 149 B. Disbrow Rd.,
Mattawan, N.J. 07747

[**] **Term: 14 Years**

[21] **Appl. No.: 68,975**

[22] **Filed: Apr. 21, 1997**

[51] **LOC (6) Cl. 06-06**

[52] **U.S. Cl. D6/495; D6/360**

[58] **Field of Search D6/480-489, 349,
D6/352, 353, 495-499; 108/153, 156, 157;
248/188, 188.1, 188.8**

[56] **References Cited**

U.S. PATENT DOCUMENTS

D. 145,938	11/1946	Guild	D6/349
D. 151,578	11/1948	Appell et al.	D6/484
D. 202,426	9/1965	Jakobsen	D6/360
D. 258,176	2/1981	Baker	D6/360

Primary Examiner—Janice E. Seeger

Attorney, Agent, or Firm—Anthony J. Casella; Gerald E. Hespos; Ludomir A. Budzyn

[57] **CLAIM**

The ornamental design of a bar stool leg assembly, as shown and described.

DESCRIPTION

FIG. 1 is a perspective view of the bar stool leg assembly showing my new design;

FIG. 2 is a top plan view thereof;

FIG. 3 is a front elevational view thereof;

FIG. 4 is a left elevational view thereof, the right side being a mirror image of the left side;

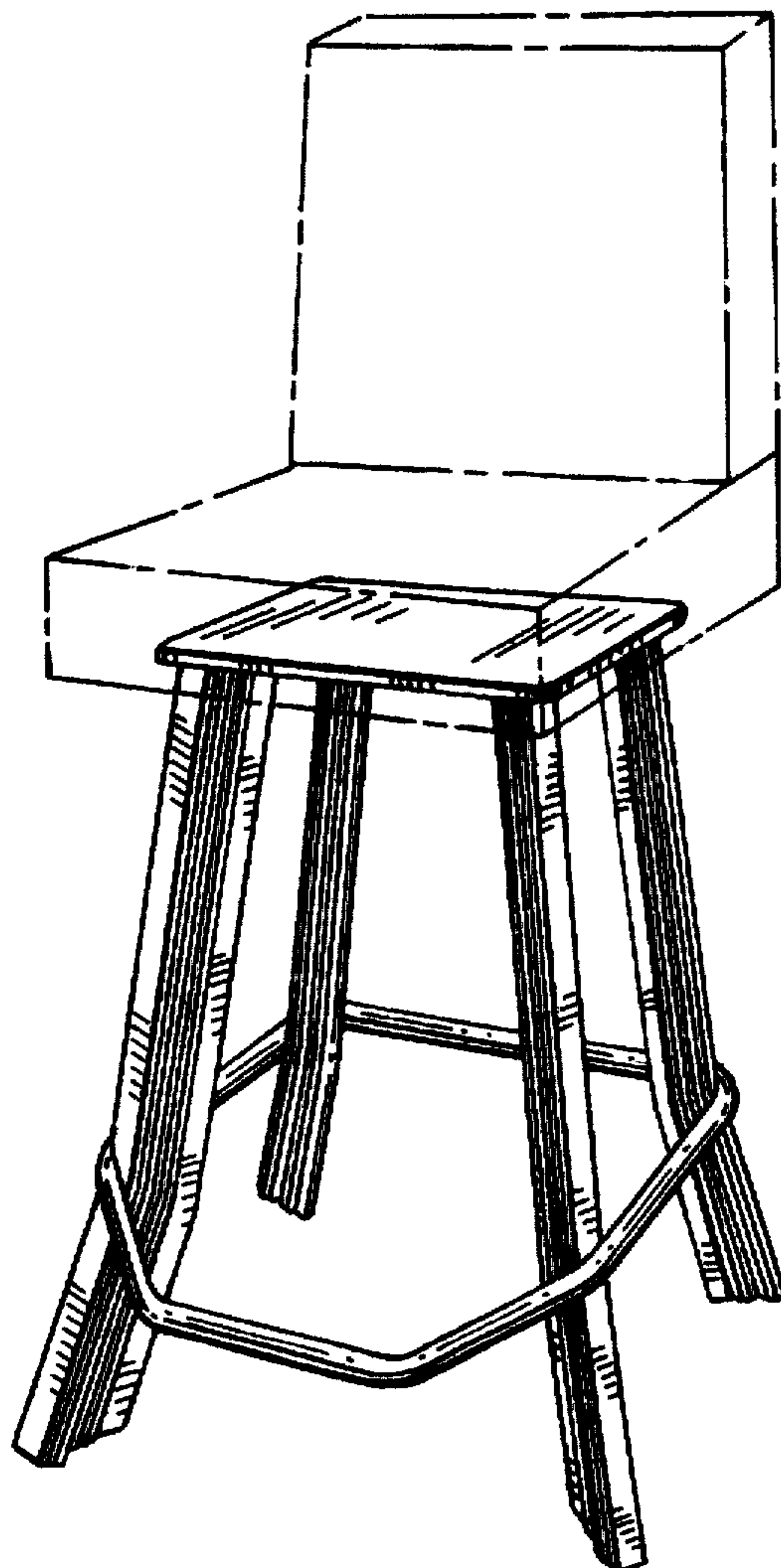
FIG. 5 is a rear elevational view thereof;

FIG. 6 is a bottom plan view thereof; and,

FIG. 7 is a cross-sectional view taken along line 7—7 of FIG. 3.

The broken line showing of environment in FIG. 1 is for illustrative purposes only and forms no part of the claimed design.

1 Claim, 6 Drawing Sheets



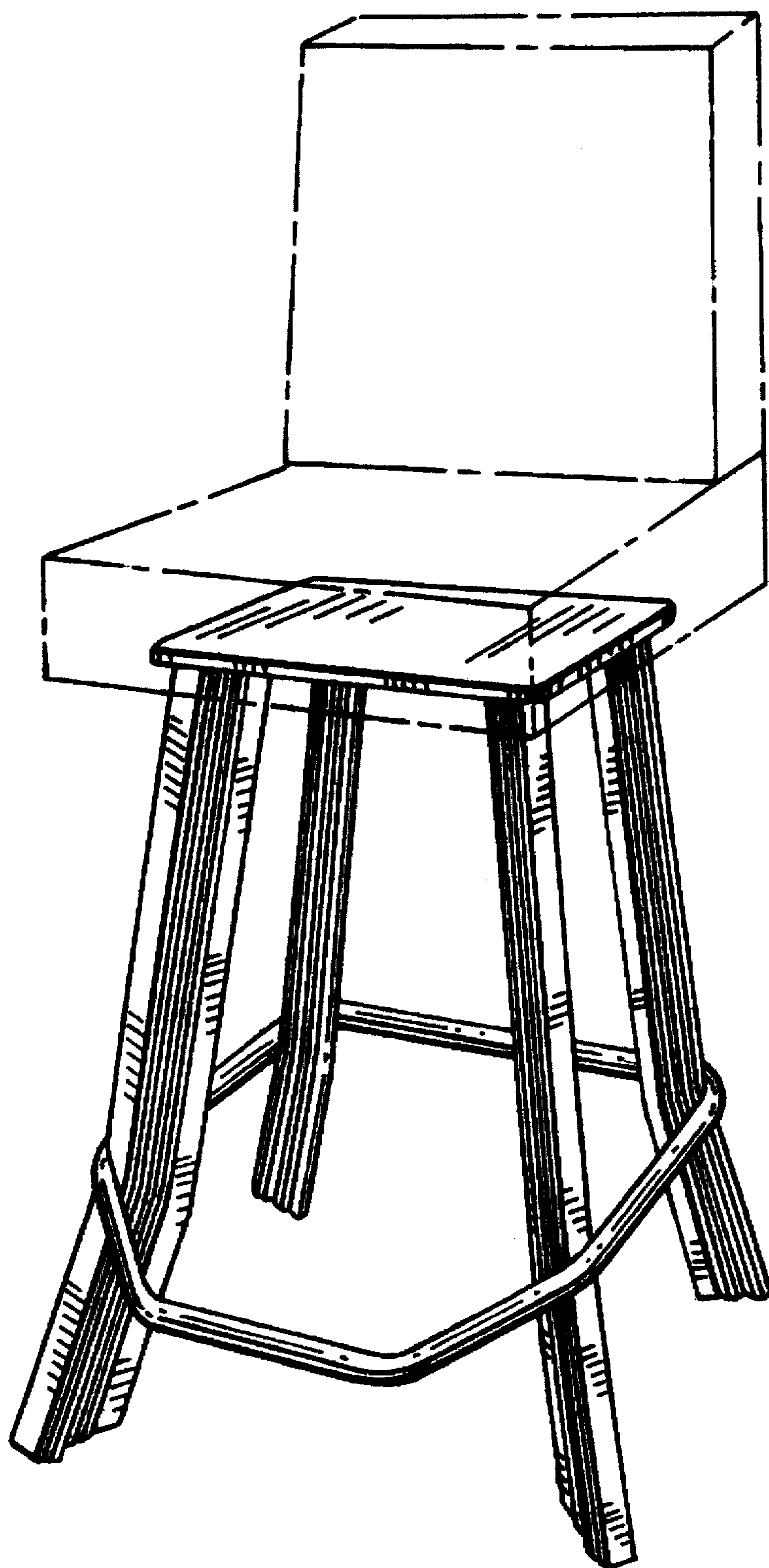


FIG. 1

FIG. 2

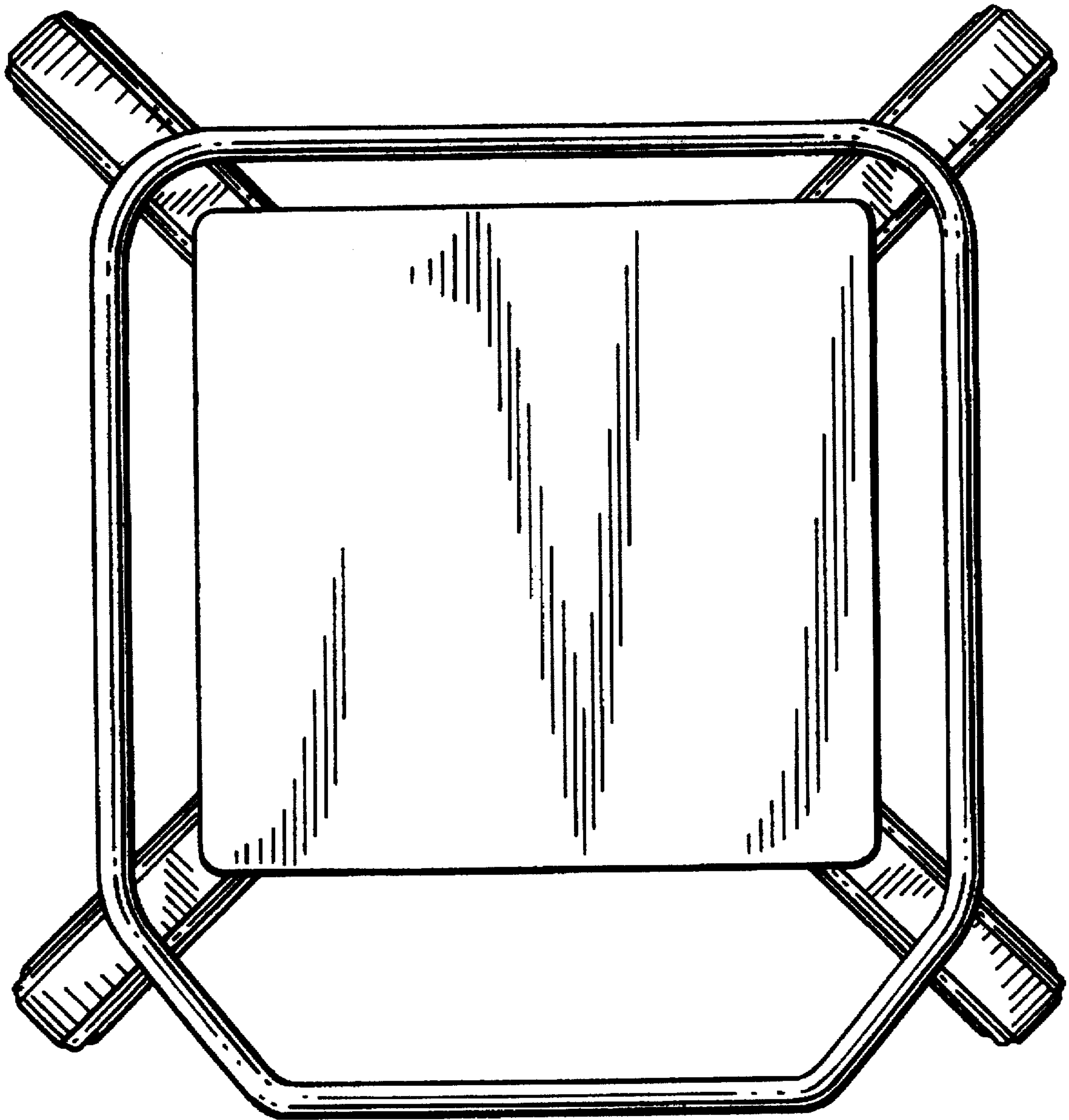


FIG. 3

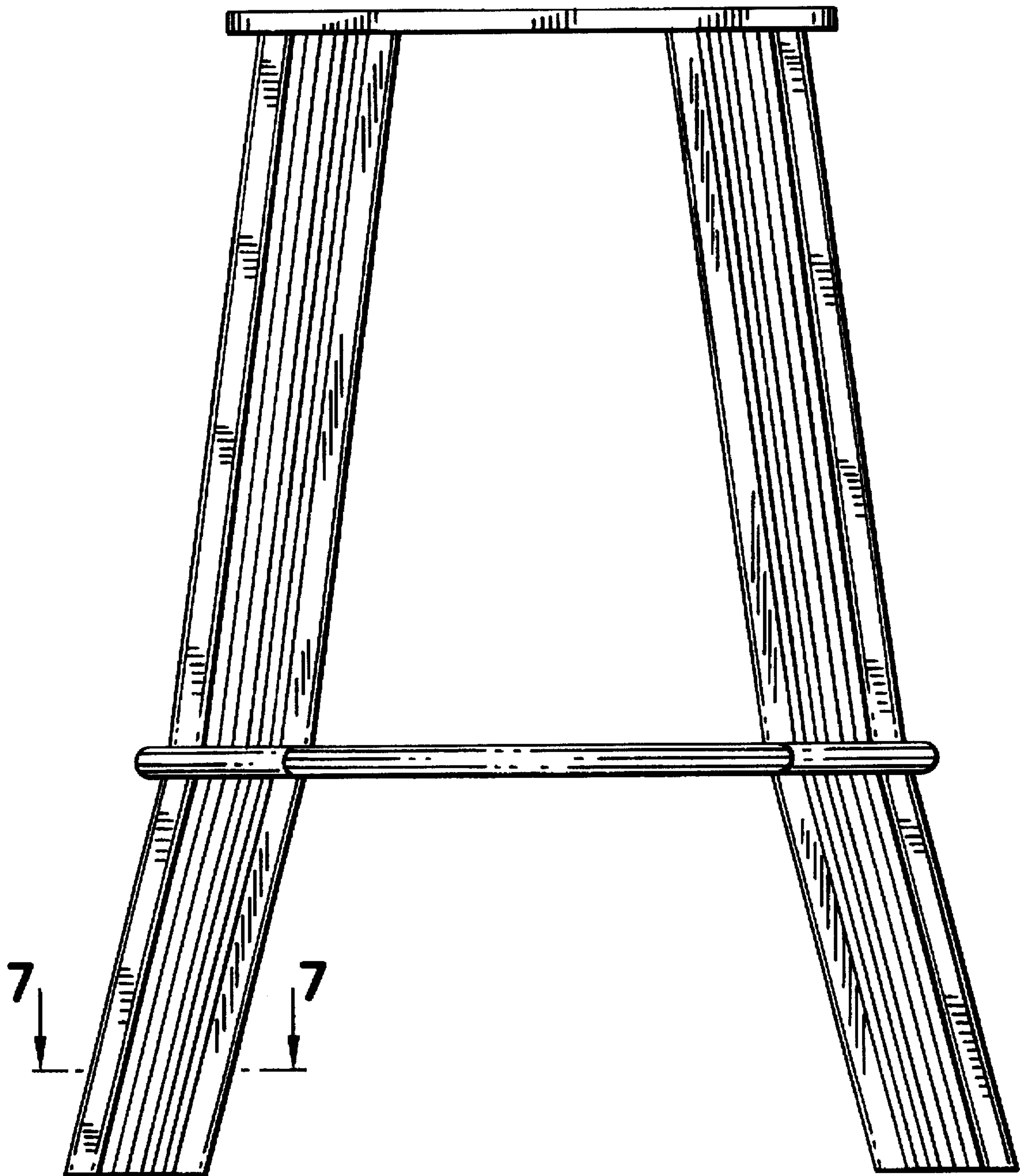


FIG. 4

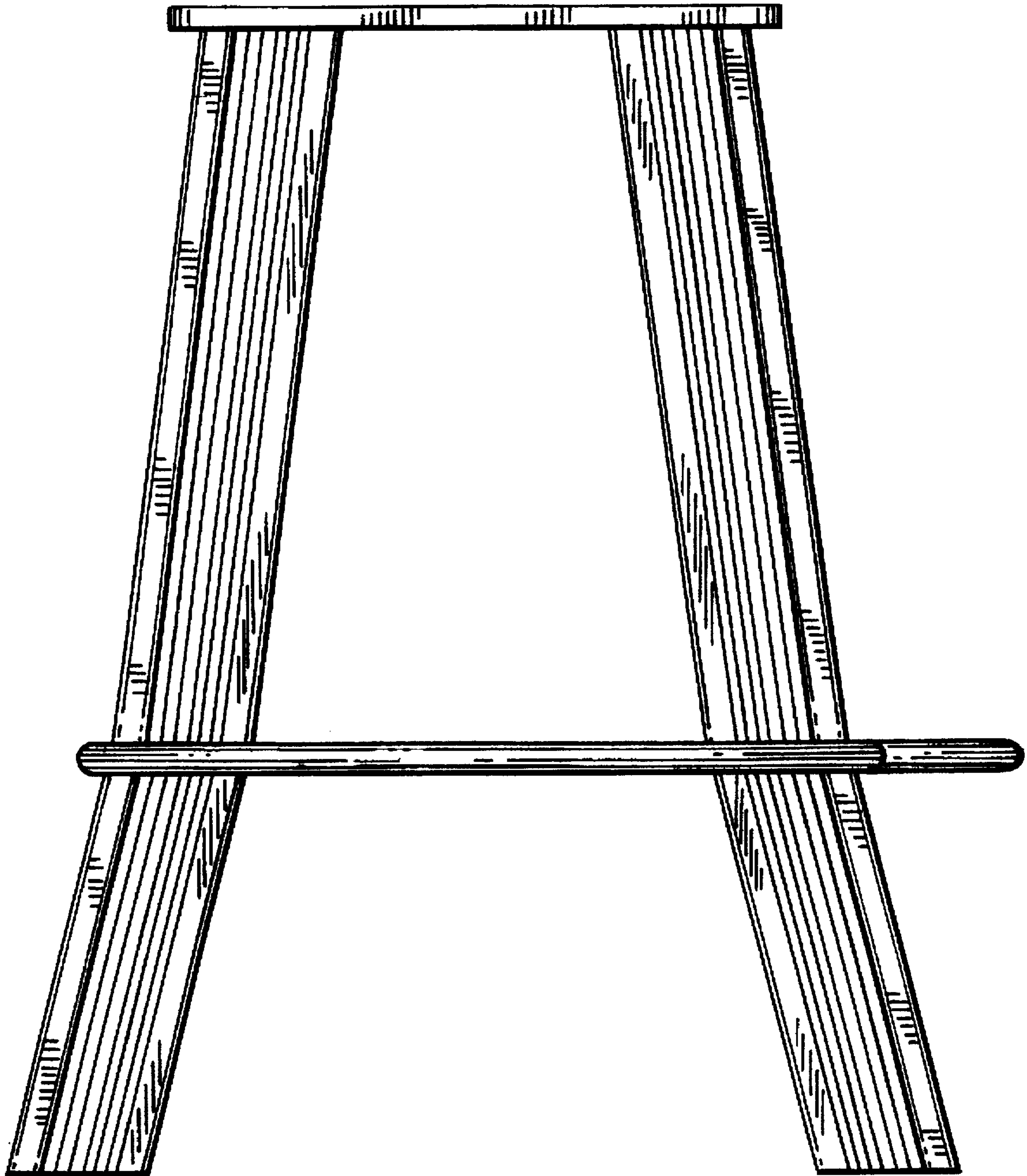


FIG. 5

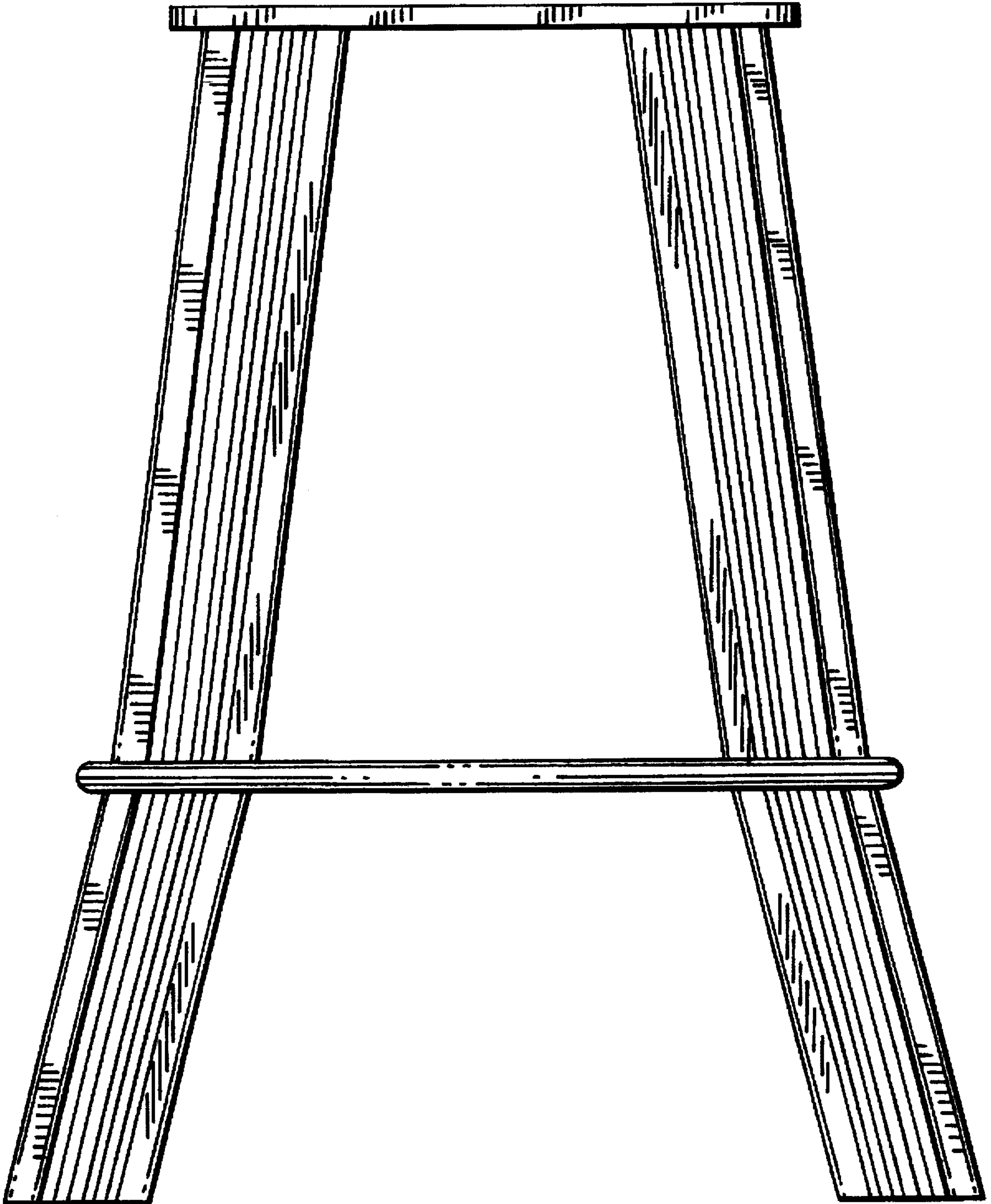


FIG. 6

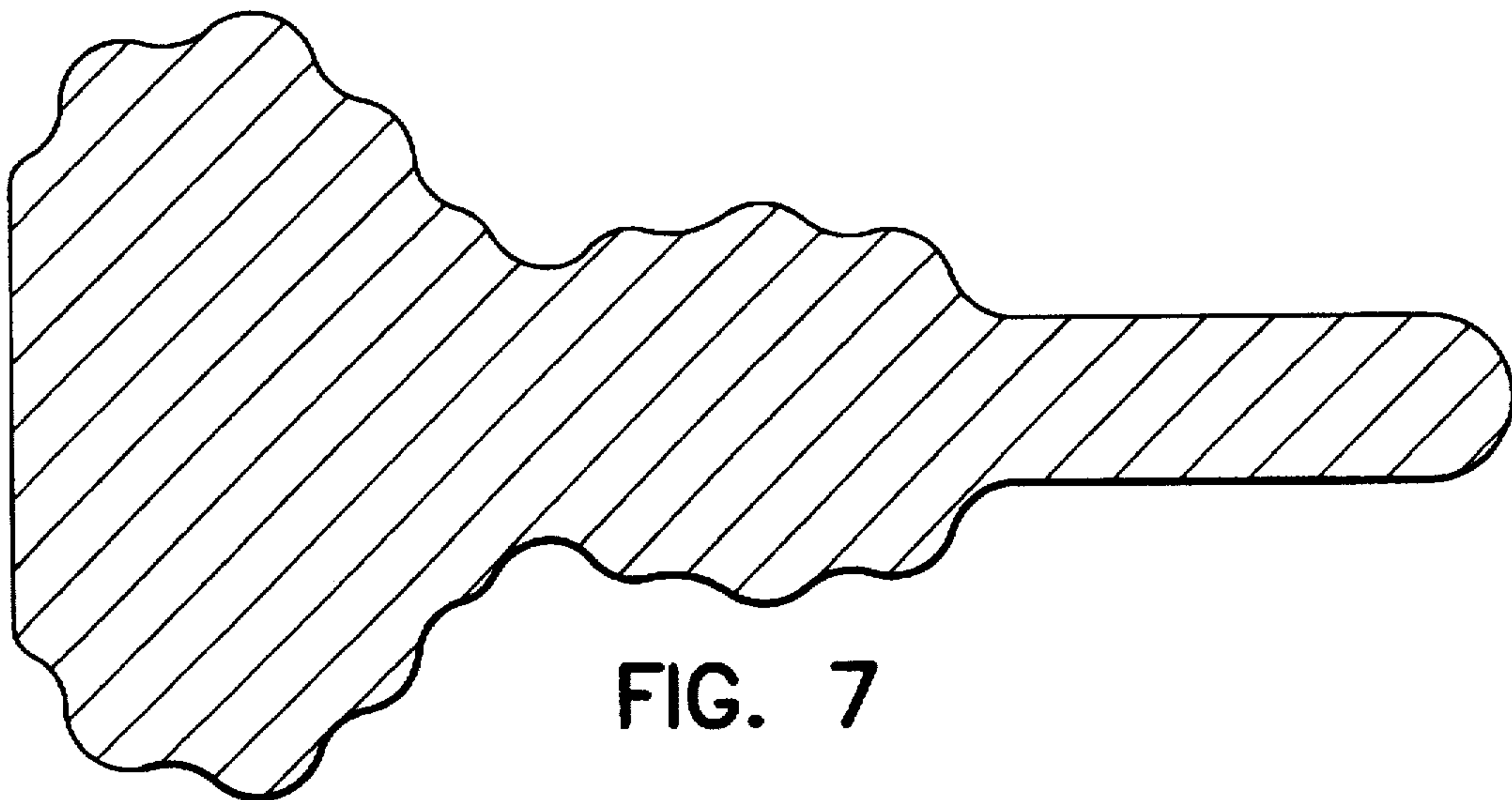
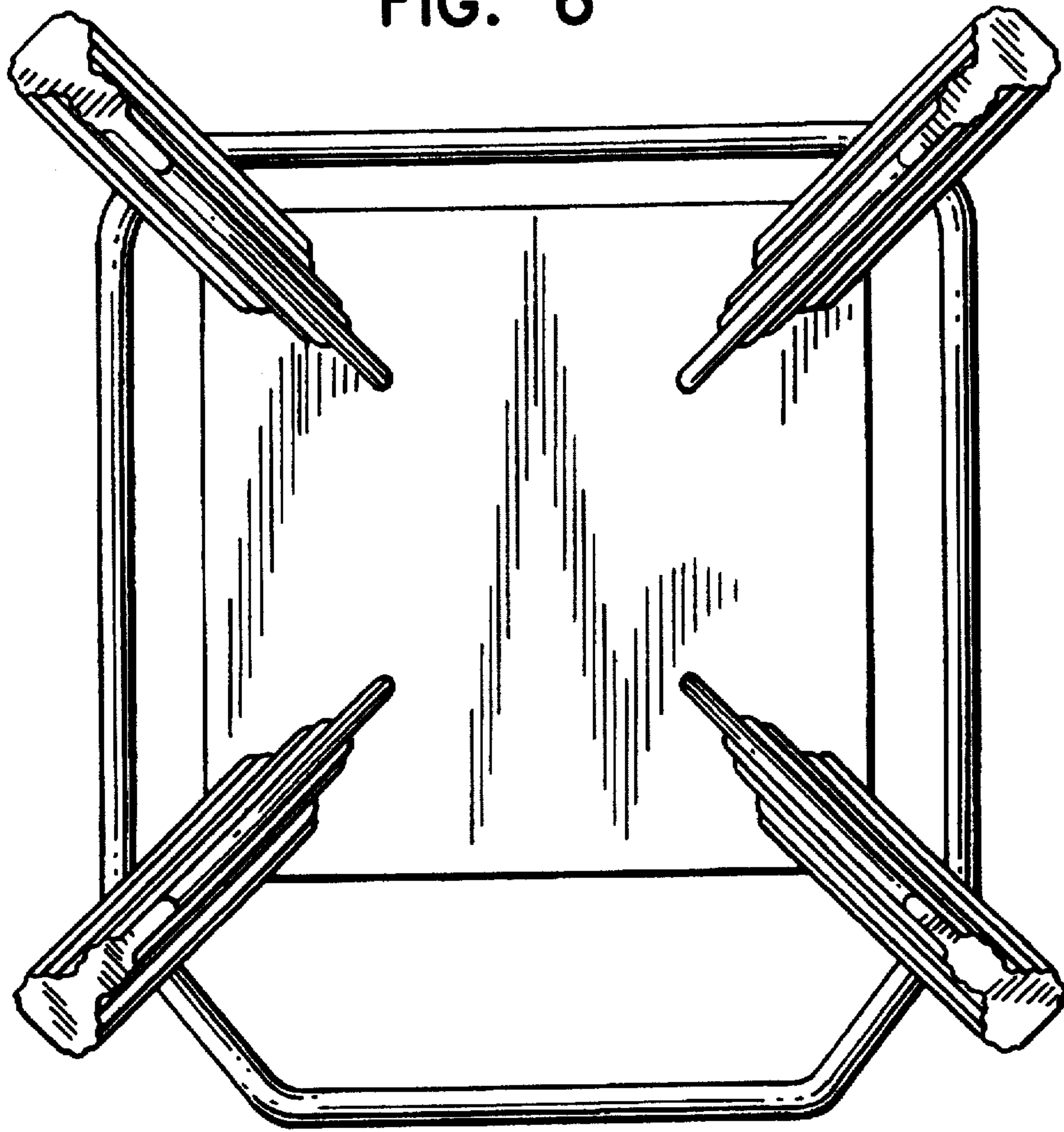


FIG. 7