



US00D392120S

**United States Patent** [19]  
**DaSilva**

[11] **Patent Number: Des. 392,120**  
[45] **Date of Patent: \*\*Mar. 17, 1998**

[54] **COMBINATION ORGANIZER AND  
BASEBALL-CAP SHAPER**

D. 367,780 3/1996 Torres ..... D6/462  
2,958,446 11/1960 Teague ..... 206/9

[76] Inventor: **Joseph E. DaSilva**, 142 Pleasant St.,  
Seekonk, Mass. 02877

*Primary Examiner*—James Gandy  
*Assistant Examiner*—Linda Brooks  
*Attorney, Agent, or Firm*—Salter & Michaelson

[\*\*] Term: **14 Years**

[57] **CLAIM**

[21] Appl. No.: **73,673**

The ornamental design for a combination organizer and baseball-cap shaper, as shown and described.

[22] Filed: **Jul. 15, 1997**

**DESCRIPTION**

[51] **LOC (6) Cl.** ..... **06-04**

[52] **U.S. Cl.** ..... **D6/412; D6/450; D6/466**

[58] **Field of Search** ..... D6/449, 462, 464,  
D6/466, 468, 411, 415, 412; D19/82; D32/58,  
59; D2/892, 999; 2/300; 211/33, 13.1, 85.5,  
30; 223/12, 16, 24-26, 52, 120; 206/9;  
248/176.1

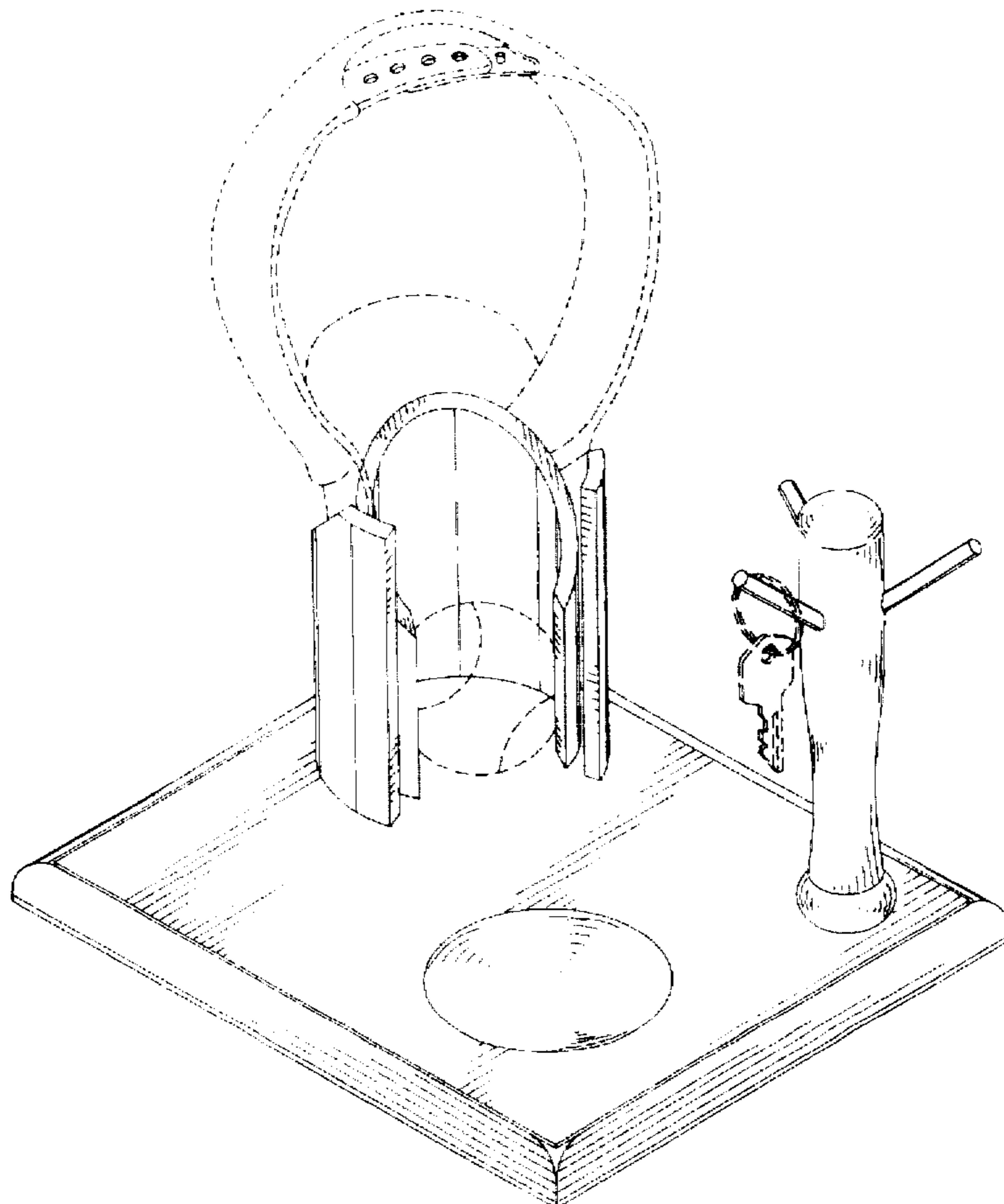
FIG. 1 is a perspective view of a combination organizer and baseball-cap shaper showing my new design;  
FIG. 2 is a top plan view thereof;  
FIG. 3 is a bottom plan view thereof;  
FIG. 4 is a side view thereof taken along one of the longer longitudinal edges;  
FIG. 5 is a side view taken along the opposite longitudinal edge;  
FIG. 6 is an end elevational view thereof taken along one of the shorter edges; and  
FIG. 7 is an end elevational view taken along the opposite shorter edge.  
The environmental structure shown in broken lines in FIG. 1 is for illustrative purposes only and forms no part of the claimed design.

[56] **References Cited**

**U.S. PATENT DOCUMENTS**

D. 158,699	5/1950	Wasilevich	.....	D6/455
D. 207,823	5/1967	Eskew	.....	D6/450
D. 259,526	6/1981	Ralston, Jr.	.....	D6/450
D. 277,521	2/1985	Nasby	.....	D2/892
D. 285,393	9/1986	Miller	.....	D6/412
D. 349,054	7/1994	Cross et al.	.....	D6/466 X
D. 355,218	2/1995	Peterka	.....	D19/82

**1 Claim, 4 Drawing Sheets**



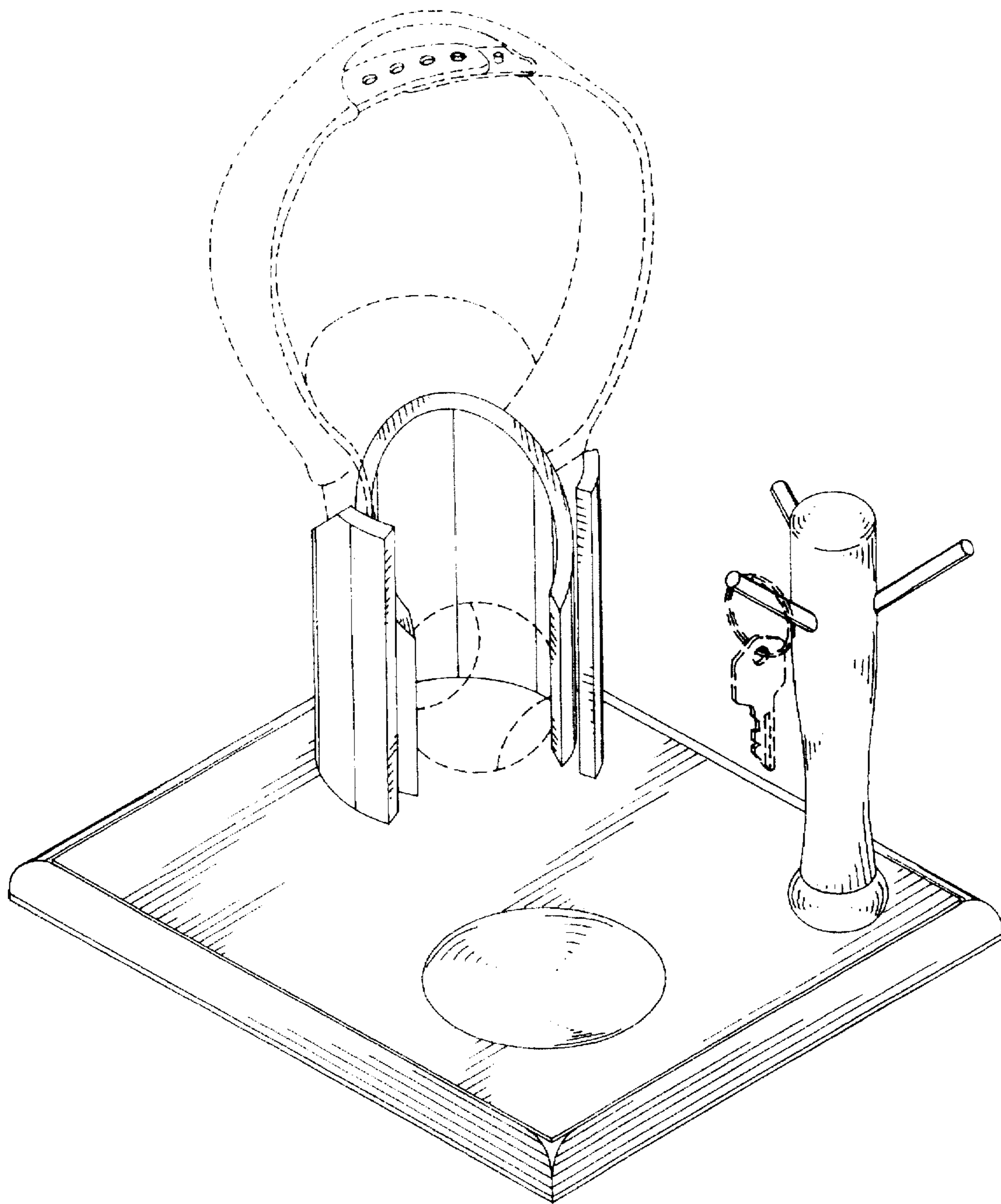


FIG. 1

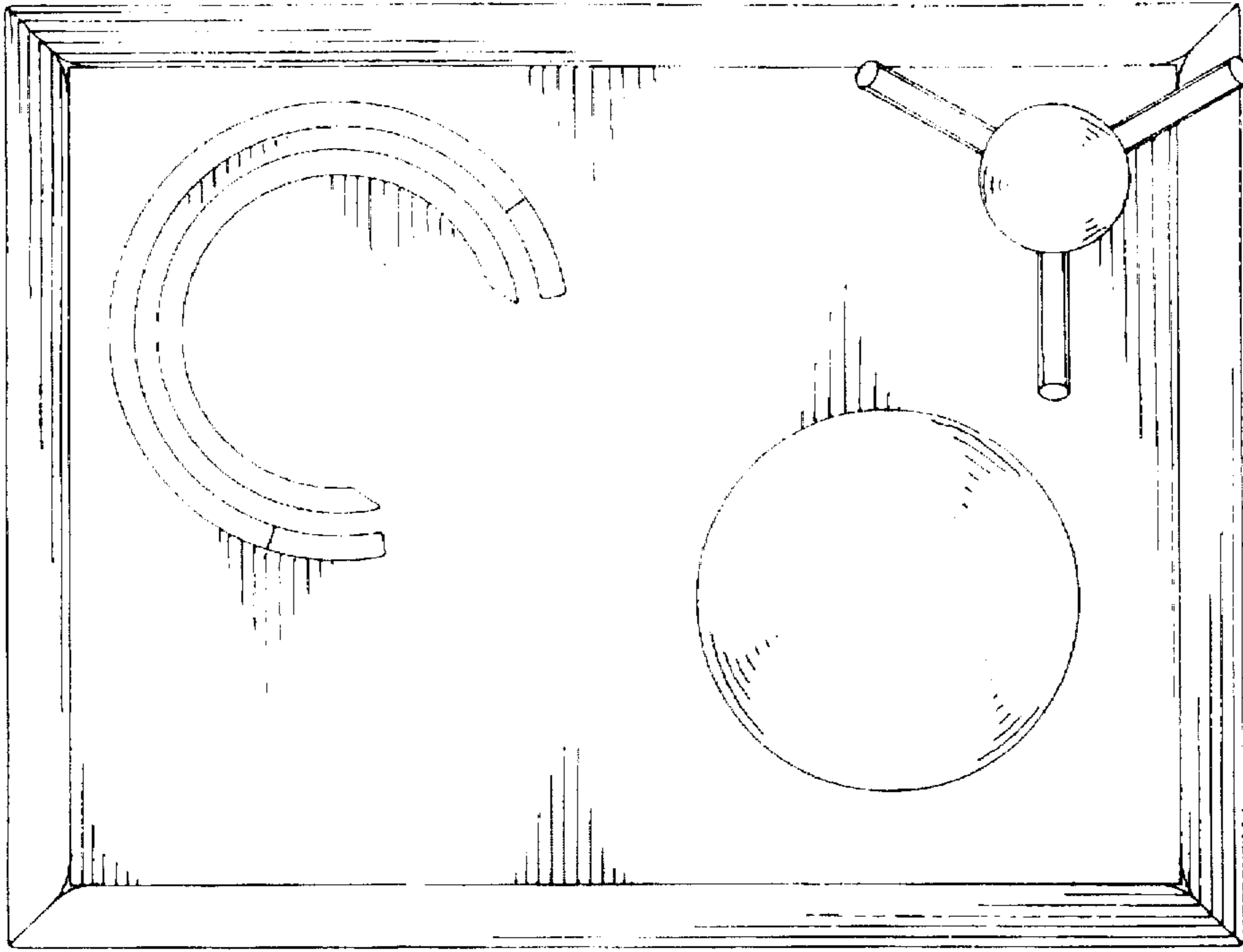


FIG. 2

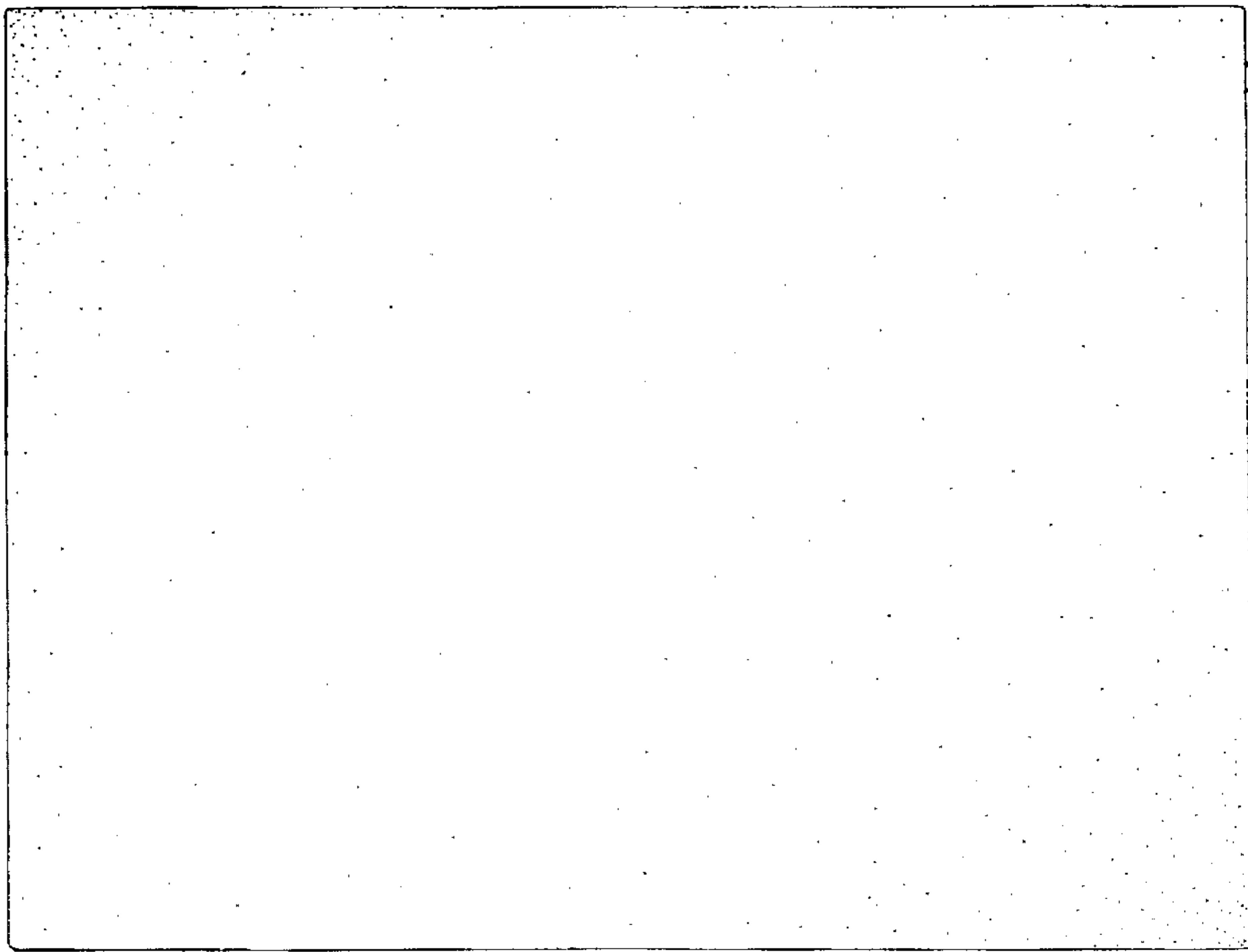


FIG. 3

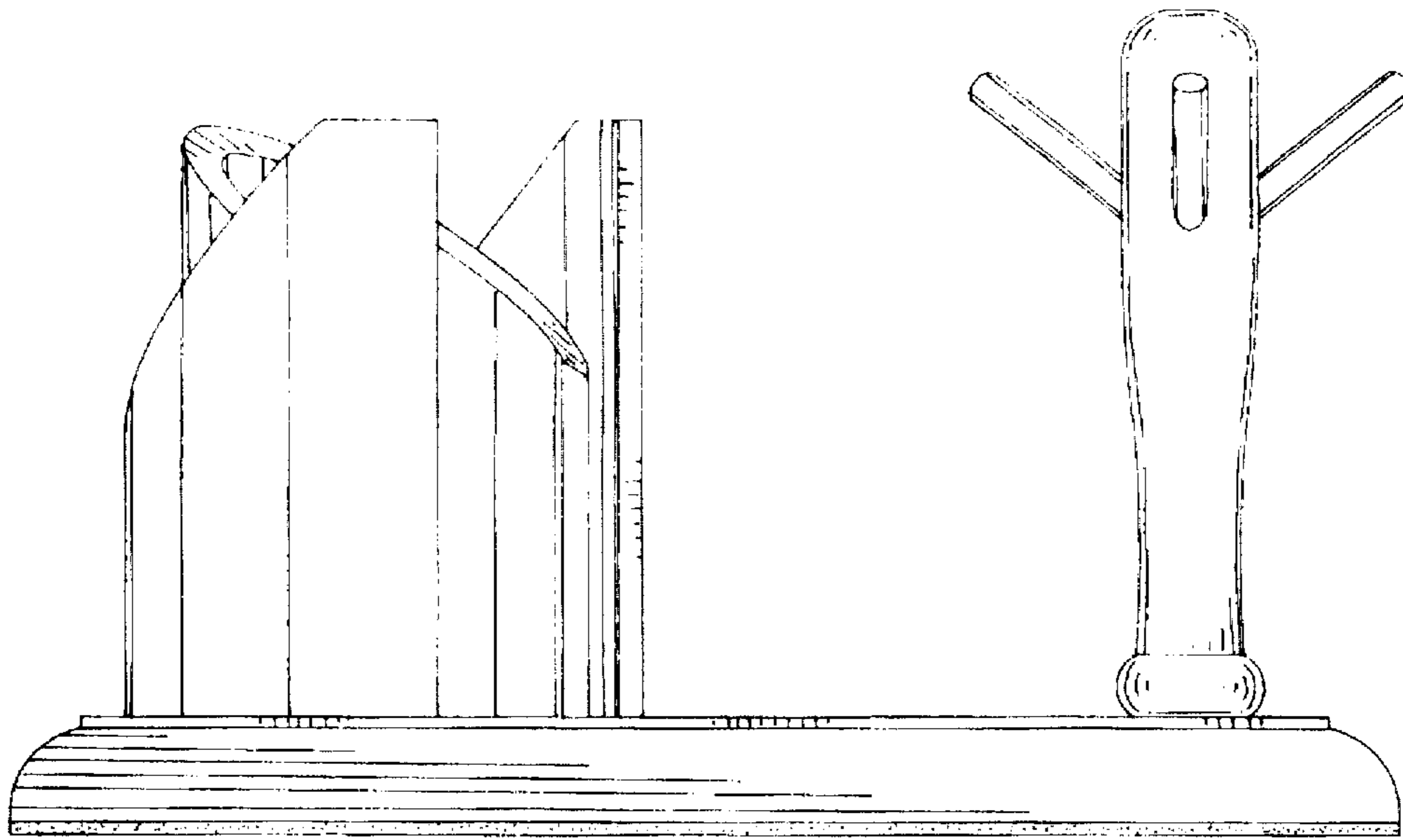


FIG. 4

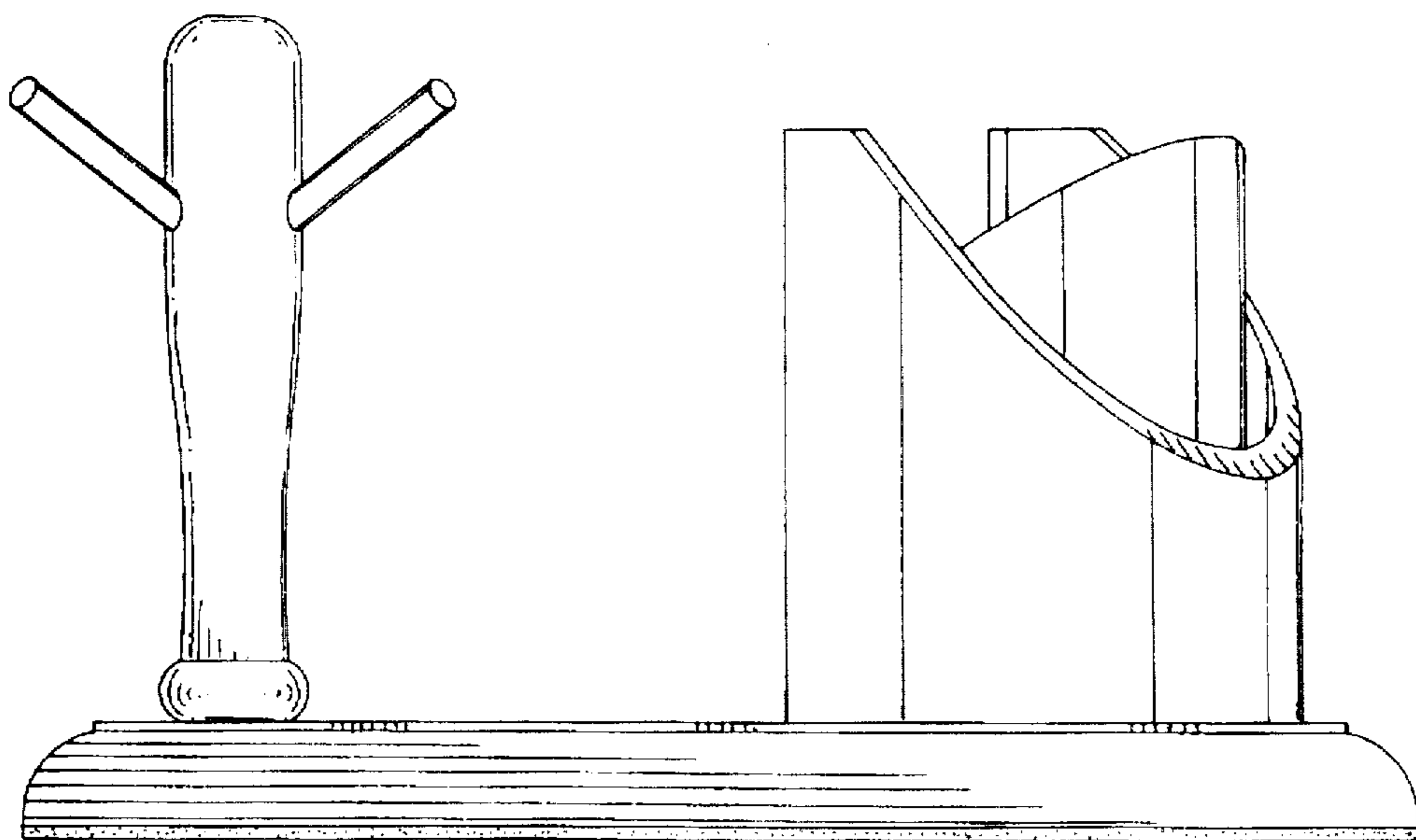


FIG. 5

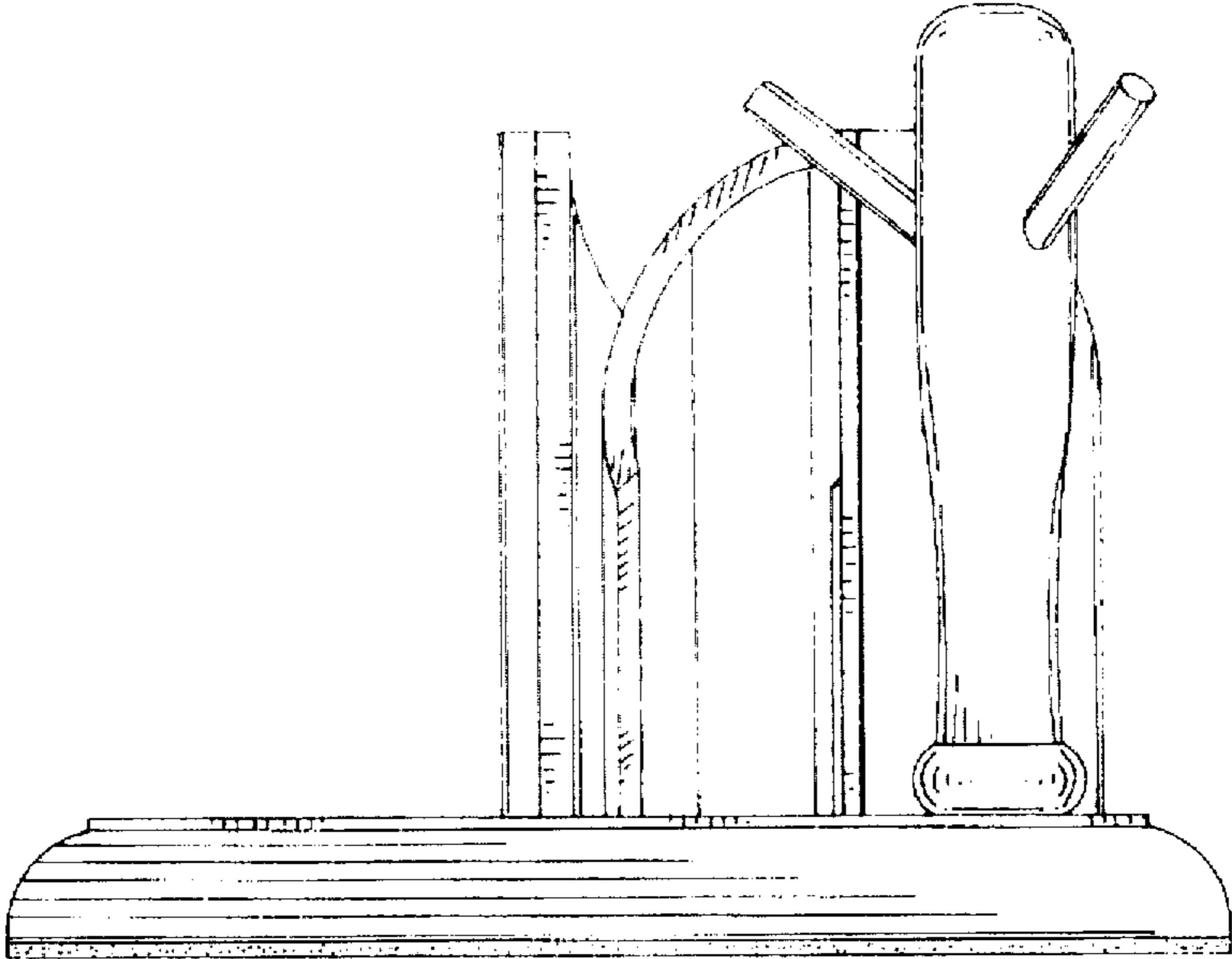


FIG. 6

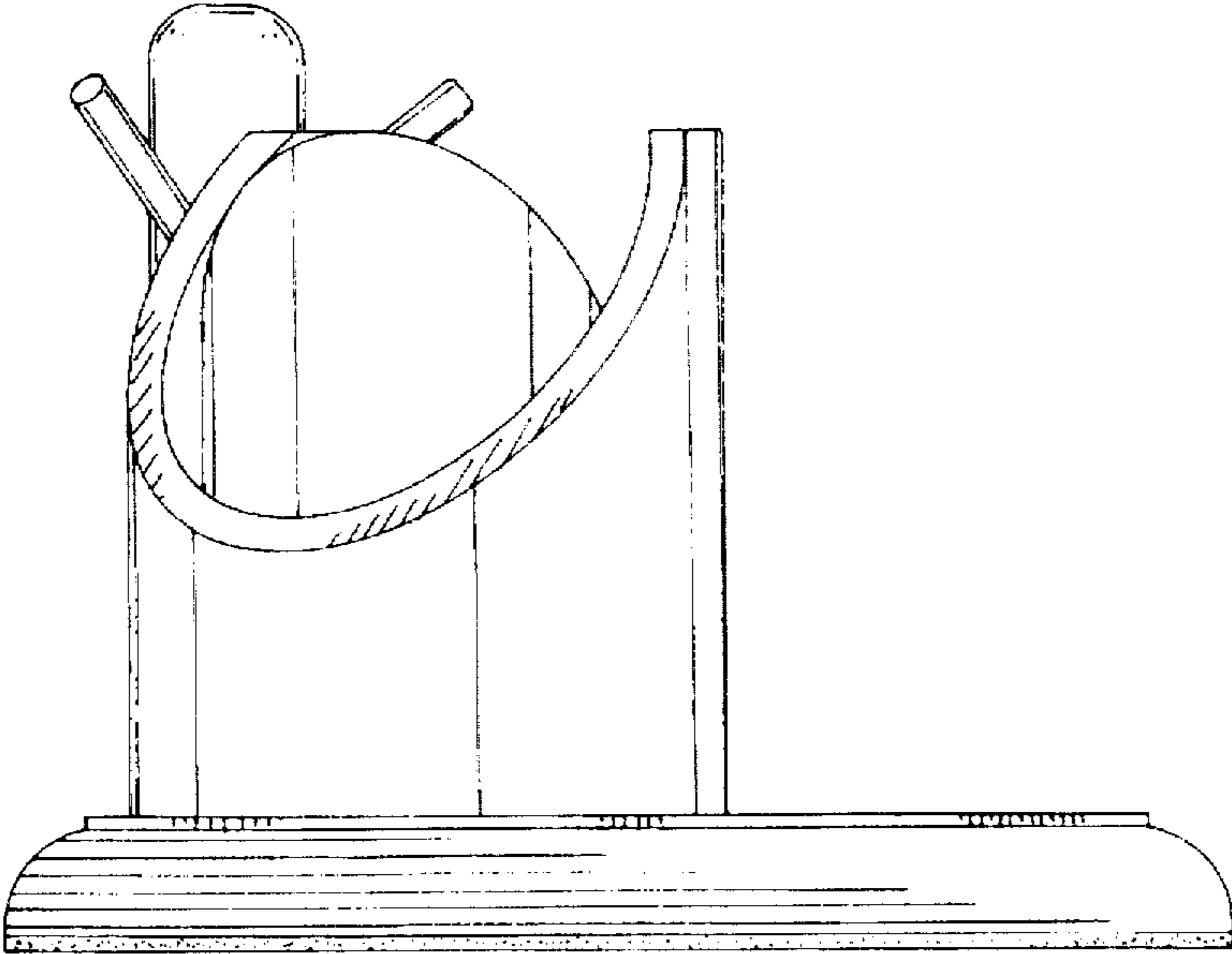


FIG. 7