



US00D392114S

# United States Patent [19]

Thorp et al.

[11] Patent Number: **Des. 392,114**

[45] Date of Patent: **\*\*Mar. 17, 1998**

[54] **UPRIGHT SPACE DIVIDING SCREEN**

[75] Inventors: **Clarkson S. Thorp, Wayland; Robert C. Weener; Wayne B. Miedema, both of Holland, all of Mich.**

[73] Assignee: **Haworth, Inc., Holland, Mich.**

[\*\*] Term: **14 Years**

[21] Appl. No.: **64,926**

[22] Filed: **Jan. 14, 1997**

### Related U.S. Application Data

[62] Division of Ser. No. 39,980, Jun. 7, 1995, Pat. No. Des. 382,122.

[51] LOC (6) Cl. .... **06-01**

[52] U.S. Cl. .... **D6/332**

[58] Field of Search ..... D6/329, 332, 500, D6/501, 502; 52/239; 160/135, 351

### [56] References Cited

#### U.S. PATENT DOCUMENTS

D. 127,928 6/1941 Wellman ..... D6/332

D. 197,159	12/1963	Nelson et al. ....	D6/332 X
D. 242,099	11/1976	Casey .....	D6/332
D. 262,423	12/1981	Alpert .....	D6/332
D. 299,794	2/1989	Helstab .....	D6/332
D. 299,795	2/1989	Helstab .....	D6/332
D. 328,529	8/1992	Lenarczyk .....	D6/329
420,668	2/1890	Wallace .....	160/135
540,503	6/895	Loveland et al. ....	160/135
3,304,683	2/1967	Ferreira .....	52/239

*Primary Examiner*—Gary D. Watson

*Attorney, Agent, or Firm*—Flynn, Thiel, Boutell & Tanis, P.C.

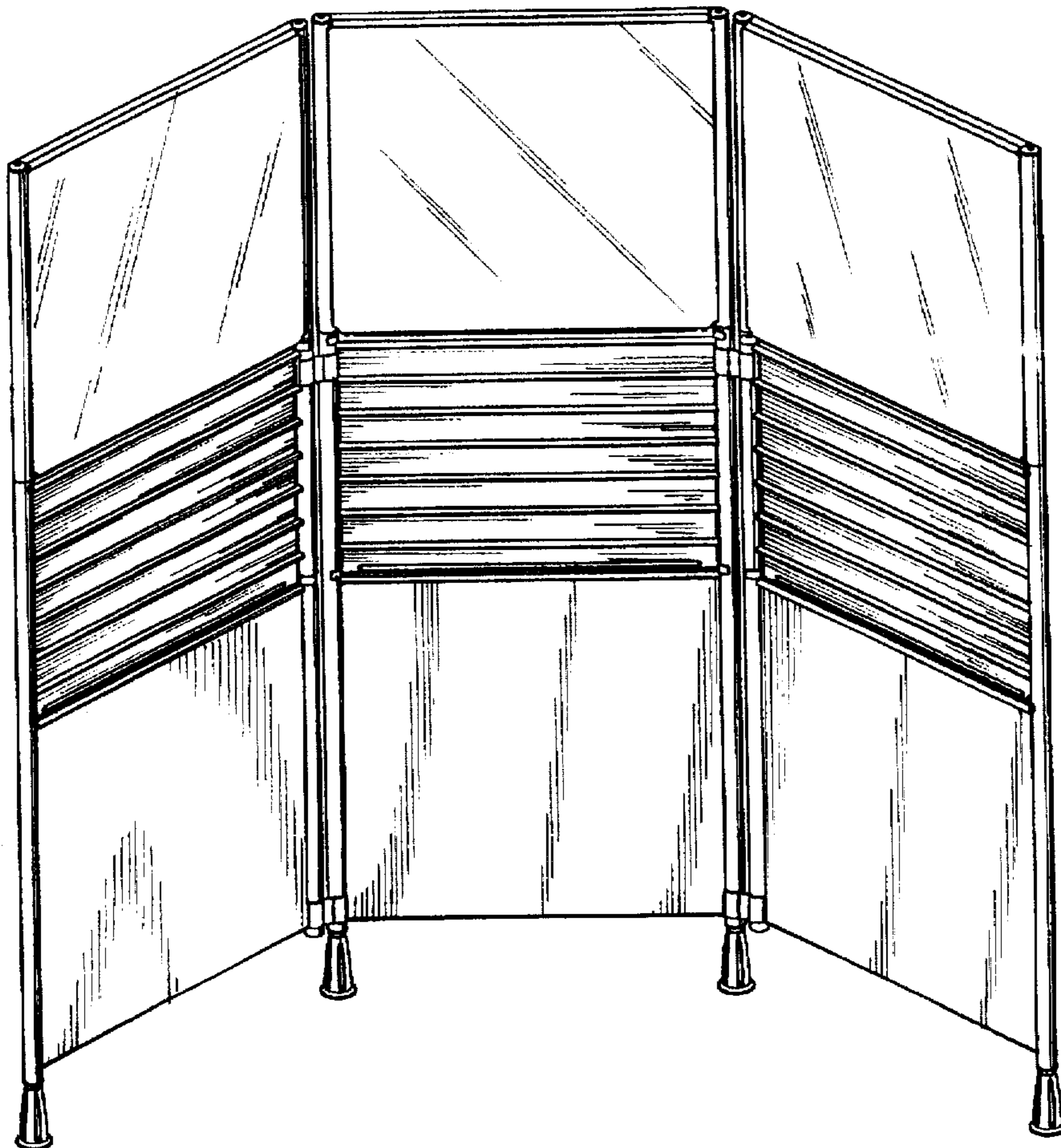
### [57] CLAIM

The ornamental design for an upright space-dividing screen, as shown and described.

### DESCRIPTION

FIG. 1 is a perspective view of an upright space-dividing screen showing our design; FIG. 2 is a front-side elevational view thereof; FIG. 3 is a rear-side elevational view thereof; FIG. 4 is a right-side elevational view thereof, the left-side elevational view being a mirror image thereof; and, FIG. 5 is a top plan view thereof.

**1 Claim, 5 Drawing Sheets**



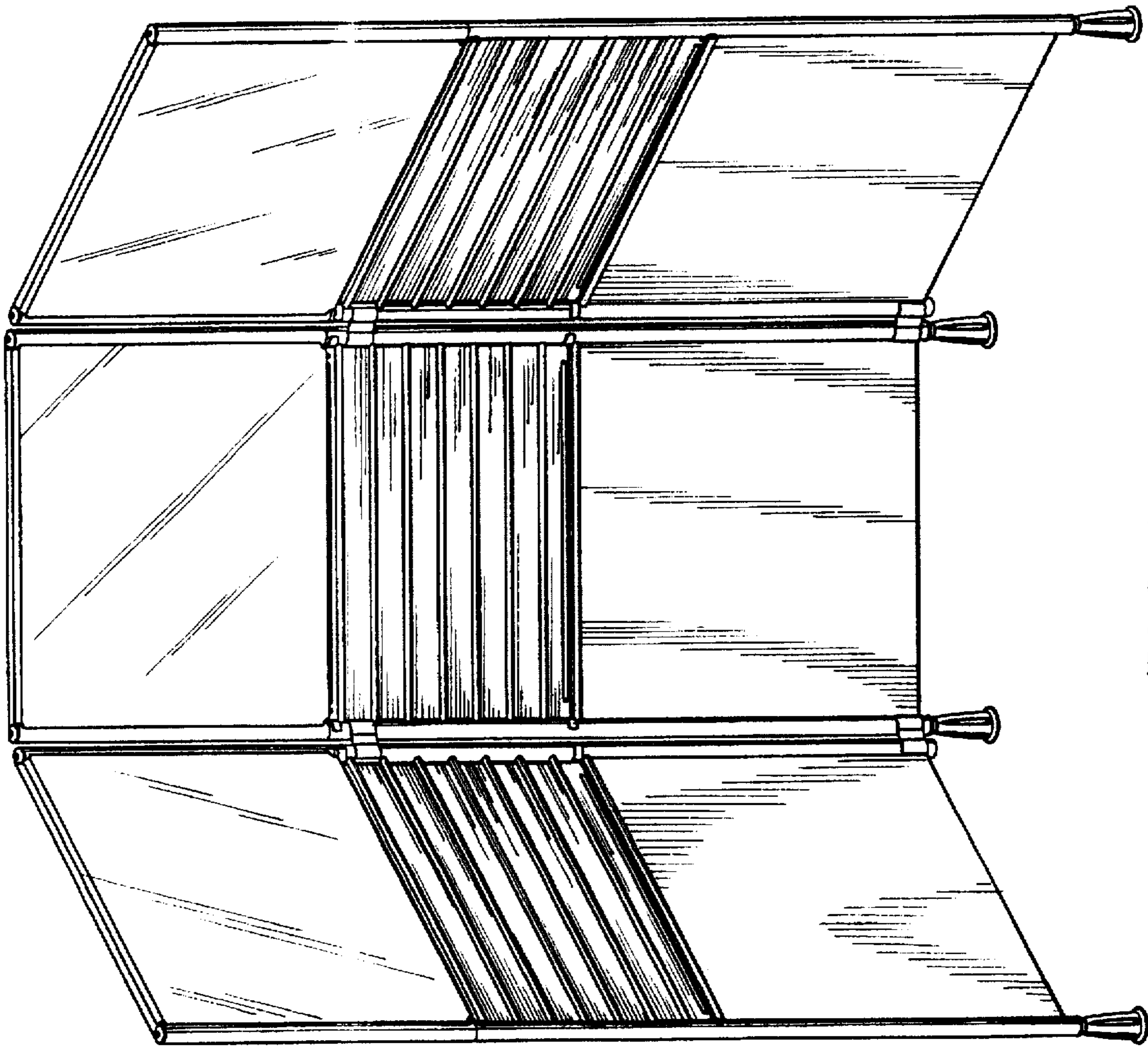


FIG. 1

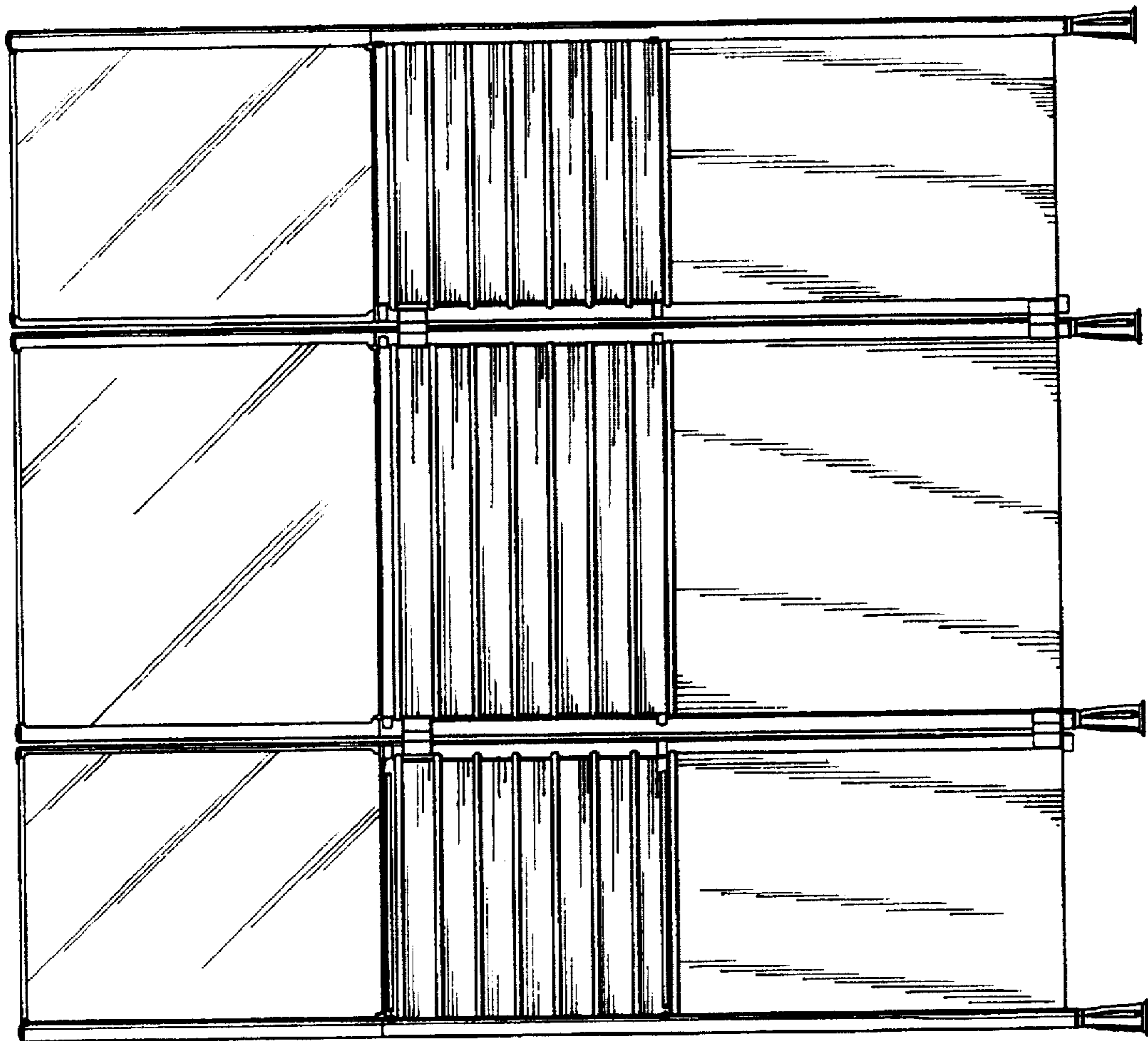


FIG. 2



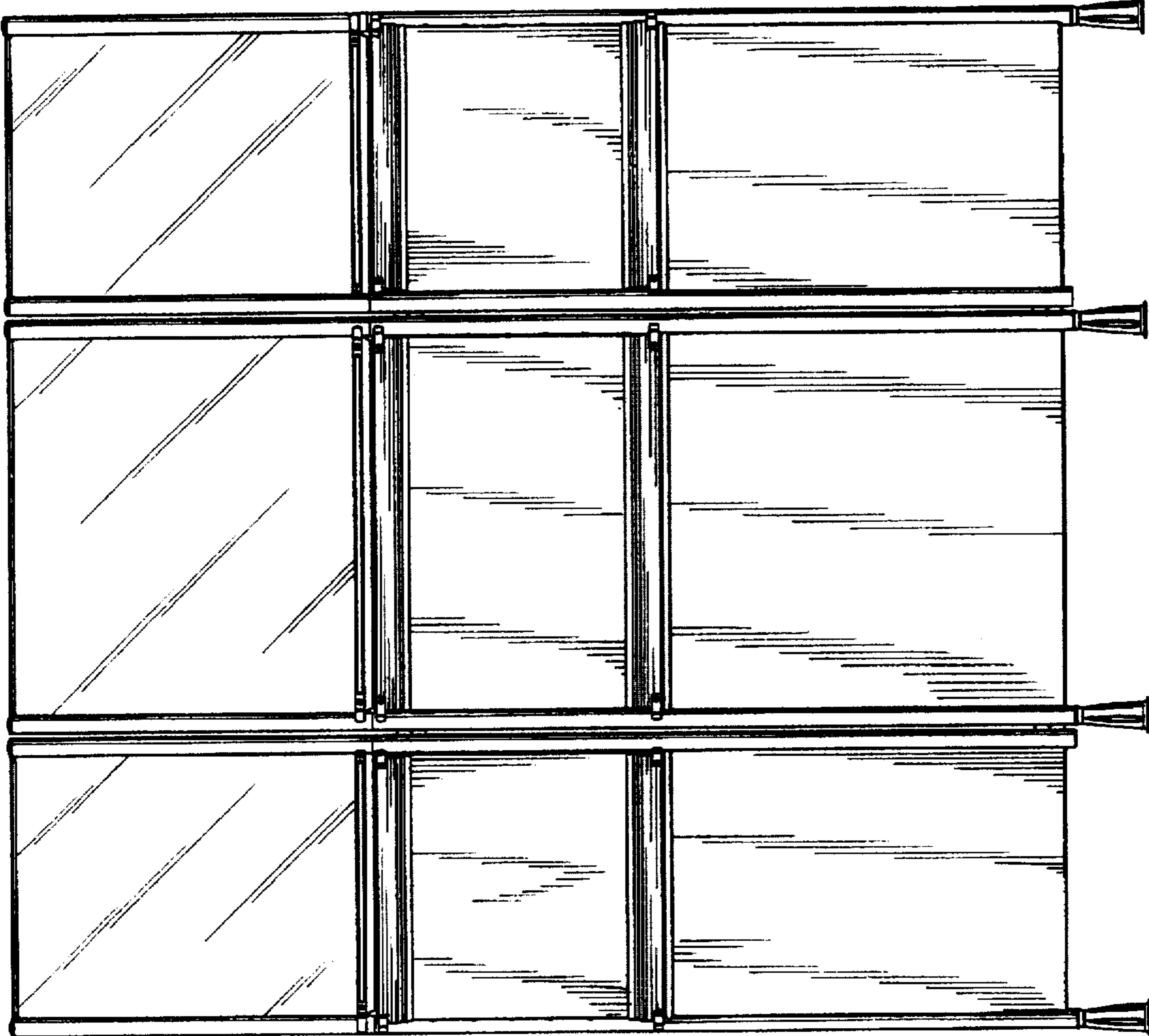


FIG. 3

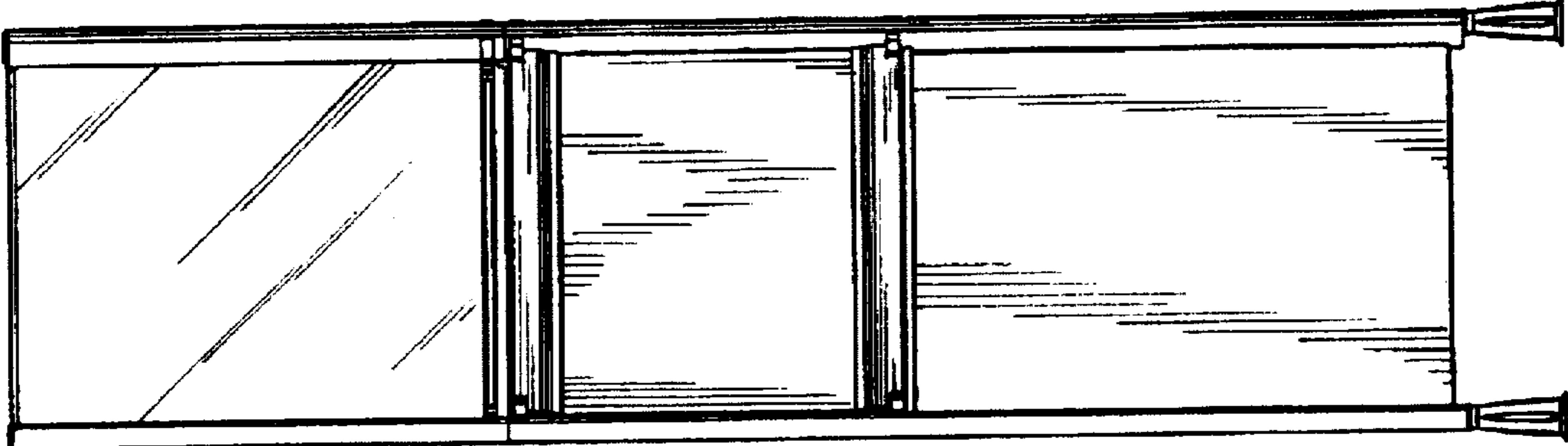


FIG. 4

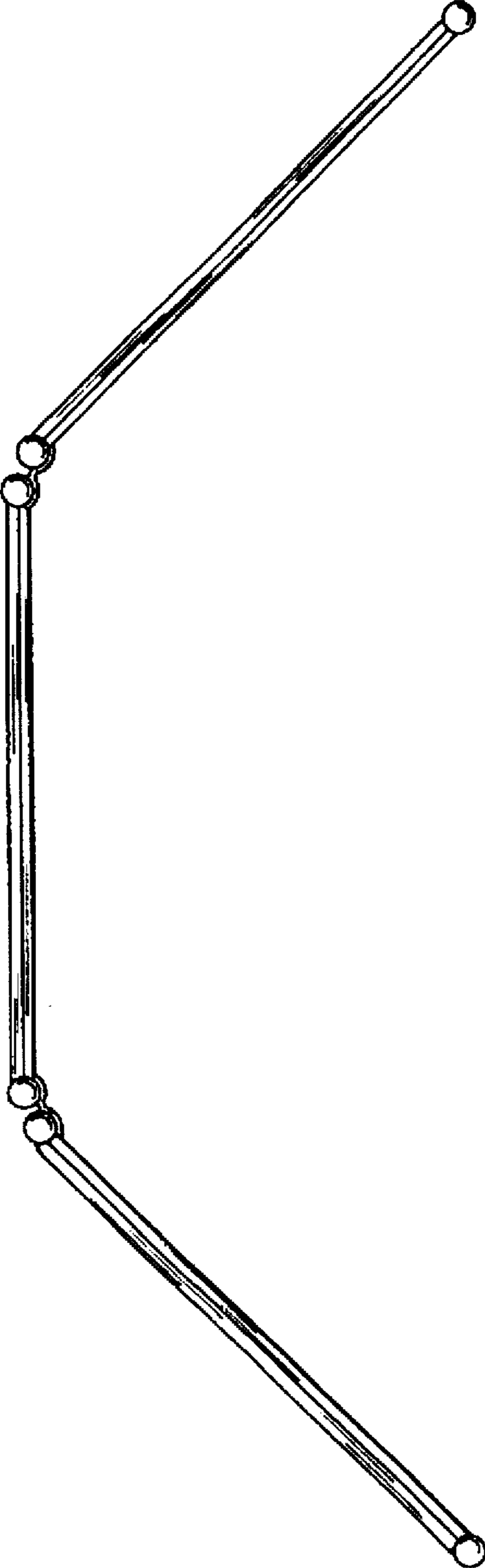


FIG. 5