



US00D392102S

# United States Patent [19]

Snetting et al.

[11] Patent Number: Des. 392,102

[45] Date of Patent: \*\*Mar. 17, 1998

[54] **ARTICULATED ARM WITH INTERNAL FEED AND EDGE GUIDE FOR A PAINT ROLLER UNIT**

[75] Inventors: **Mark E. Snetting; Steven A. Anderson**, both of Eden Prairie; **Richard C. Schoenert**, Hopkins; **Neil T. Amundson**, Eden Prairie, all of Minn.

[73] Assignee: **Wagner Spray Tech Corporation**, Minneapolis, Minn.

[\*\*] Term: **14 Years**

[21] Appl. No.: **58,169**

[22] Filed: **Aug. 9, 1996**

[51] LOC (6) Cl. .... **08-05**

[52] U.S. Cl. .... **D4/122; D4/115; D4/138**

[58] Field of Search ..... **D4/114, 115, 122, D4/138, 199; 15/143.1, 230.11; 401/146, 147, 197, 203-205, 207, 208, 218-220**

[56] **References Cited**

**U.S. PATENT DOCUMENTS**

2,743,469	5/1956	Ditch .....	401/197
2,763,022	9/1956	Glacken .	
3,213,477	10/1965	Shafer .	
3,273,192	9/1966	Mazzella .	
3,346,899	10/1967	Murphy .	
3,369,269	2/1968	Deck et al. .	
3,408,676	11/1968	Cayo .	
3,419,931	1/1969	Willig .	
3,623,180	11/1971	Anderson .	

3,685,084	8/1972	Bennett .	
3,866,257	2/1975	Cansdale, Sr. .	
4,038,716	8/1977	Polsfuss .	
4,089,082	5/1978	McGrew .	
4,196,491	4/1980	Baril .	
4,396,028	8/1983	Waggoner .	
4,478,671	10/1984	Freeman .	
4,528,714	7/1985	Beck .	
4,583,876	4/1986	Karliner et al. ....	401/197
4,822,194	4/1989	Simonette .	
5,207,755	5/1993	Ampian .	
5,463,789	11/1995	Zilinski .	

*Primary Examiner*—Alan P. Douglas  
*Assistant Examiner*—Lavone D. Tabor  
*Attorney, Agent, or Firm*—Faegre & Benson

[57] **CLAIM**

The ornamental design for an articulated arm with internal feed and edge guide for a paint roller unit, as shown and described.

**DESCRIPTION**

FIG. 1 is a perspective view of the articulated arm with internal feed and edge guide for a paint roller unit of the present invention shown with a paint roller assembly for use therewith in phantom.

FIG. 2 is a front view thereof;

FIG. 3 is a rear view thereof;

FIG. 4 is a left side view thereof;

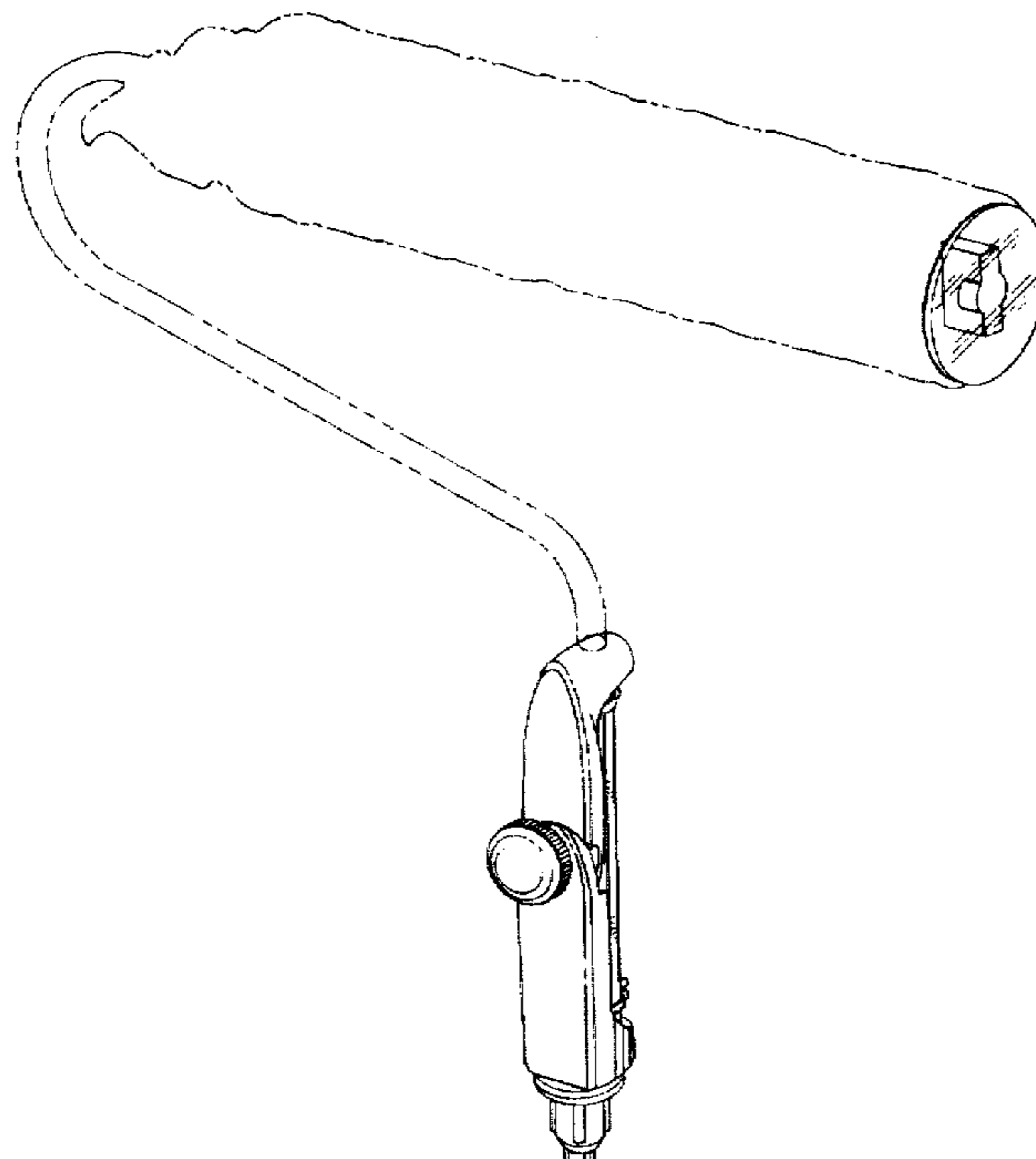
FIG. 5 is a right view thereof;

FIG. 6 is a top view thereof; and,

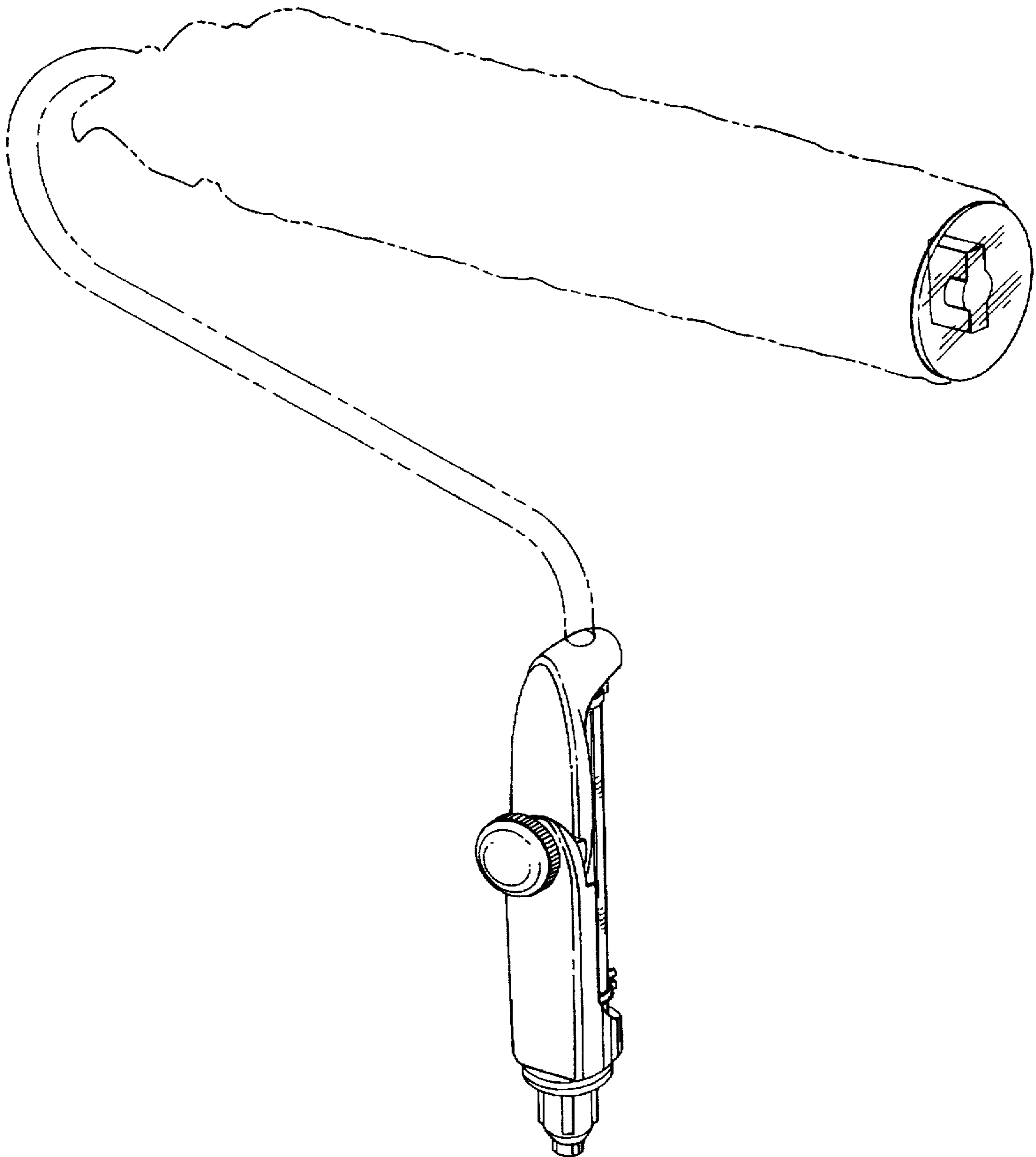
FIG. 7 is a bottom view thereof.

The broken lines are for illustrative purposes only and form no part of the claimed design.

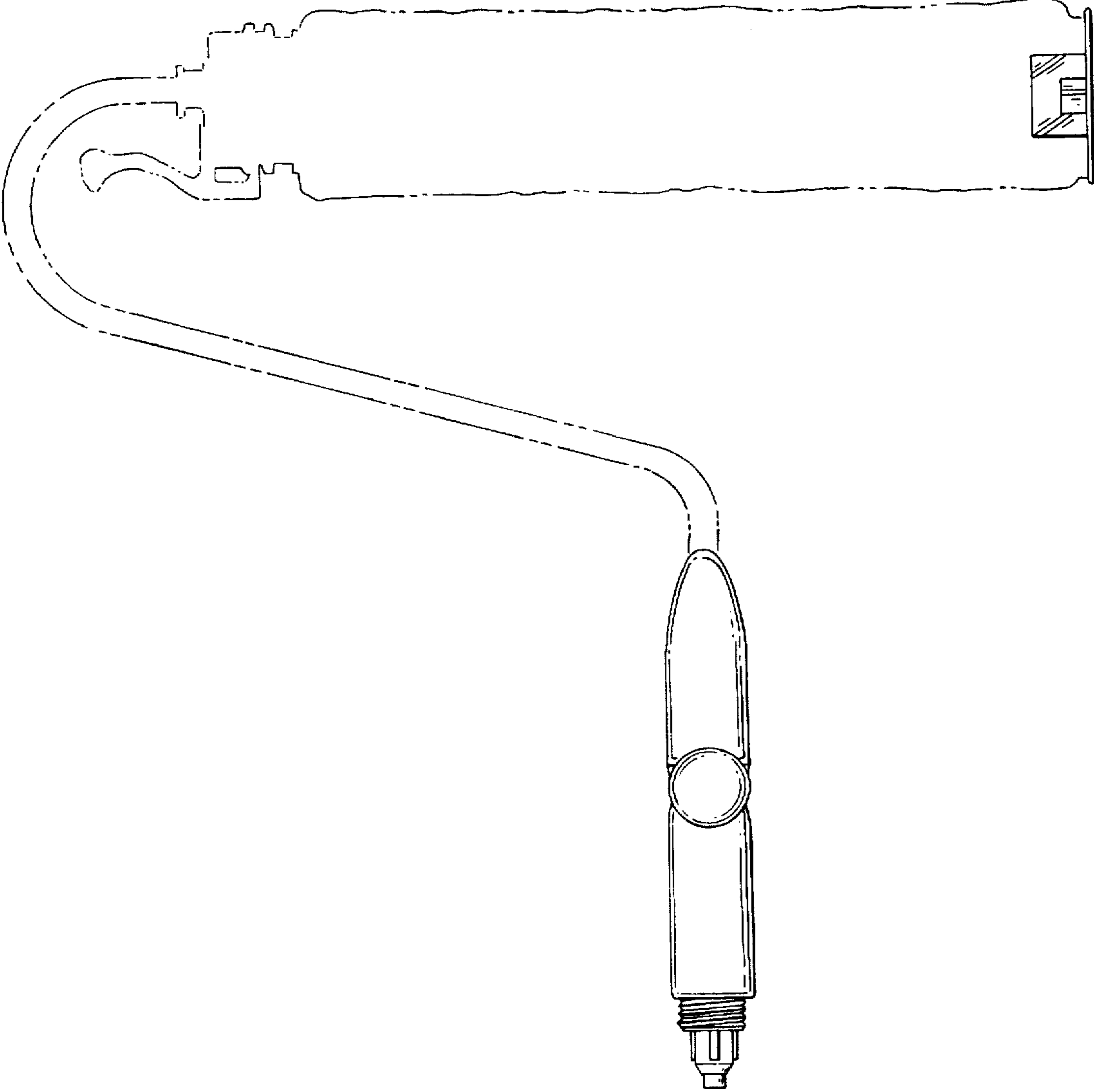
**1 Claim, 5 Drawing Sheets**



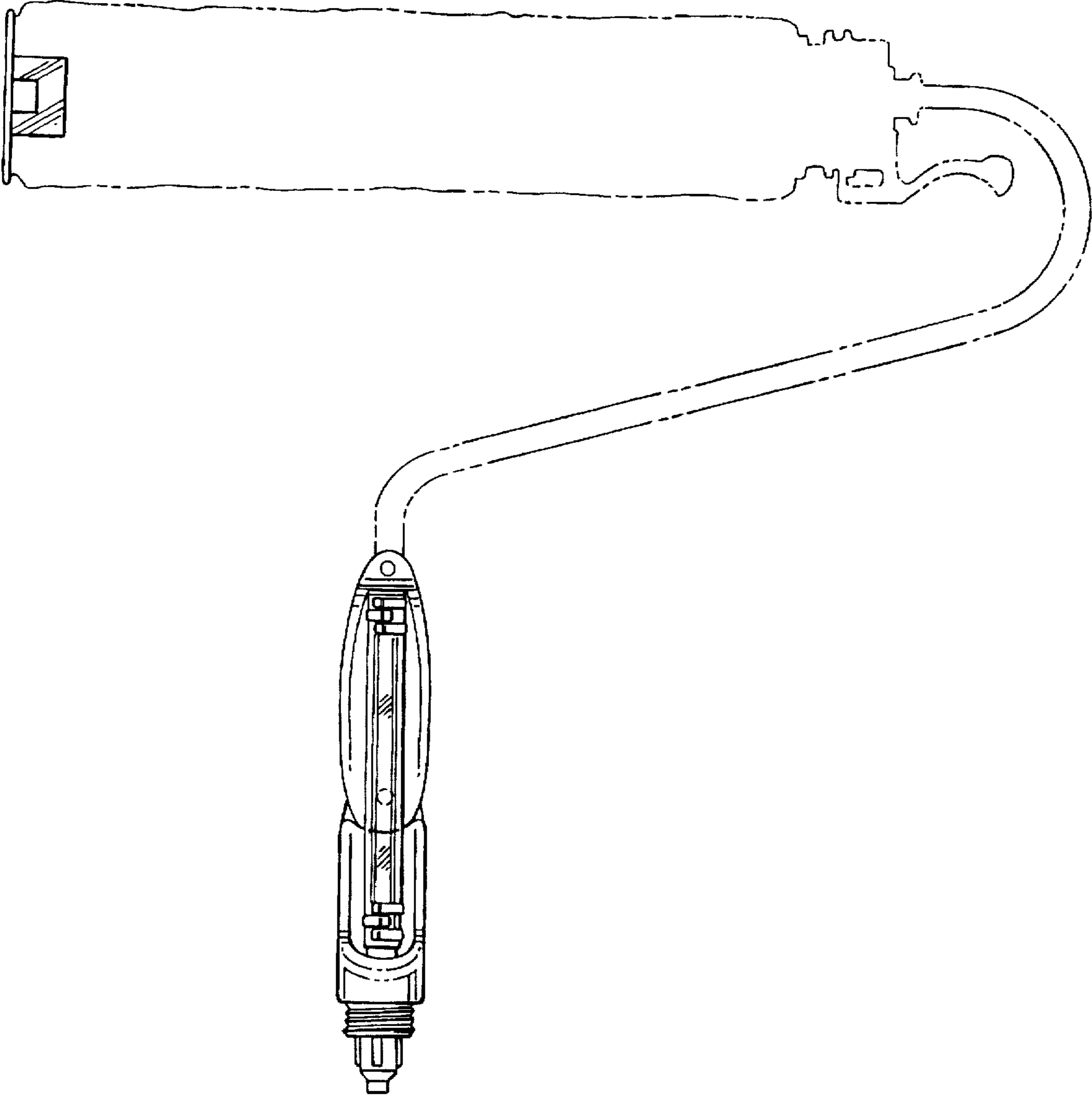
*Fig. 1*



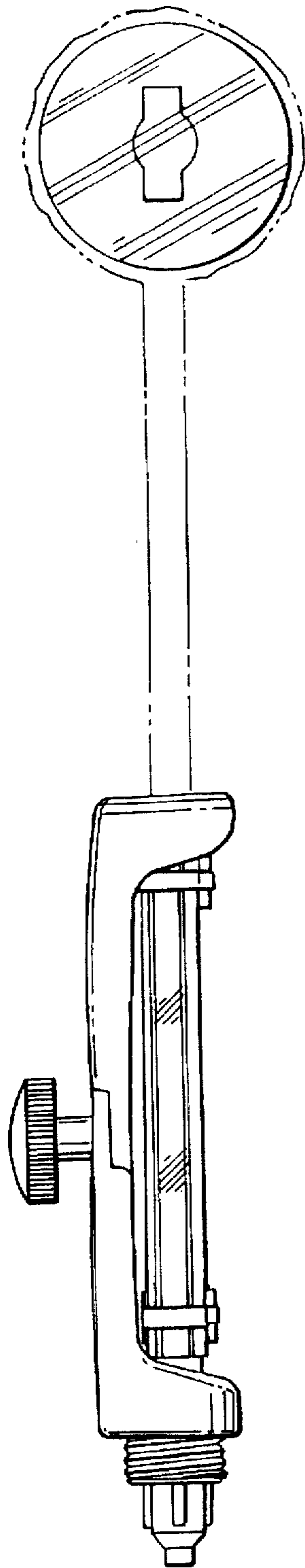
*Fig.2*



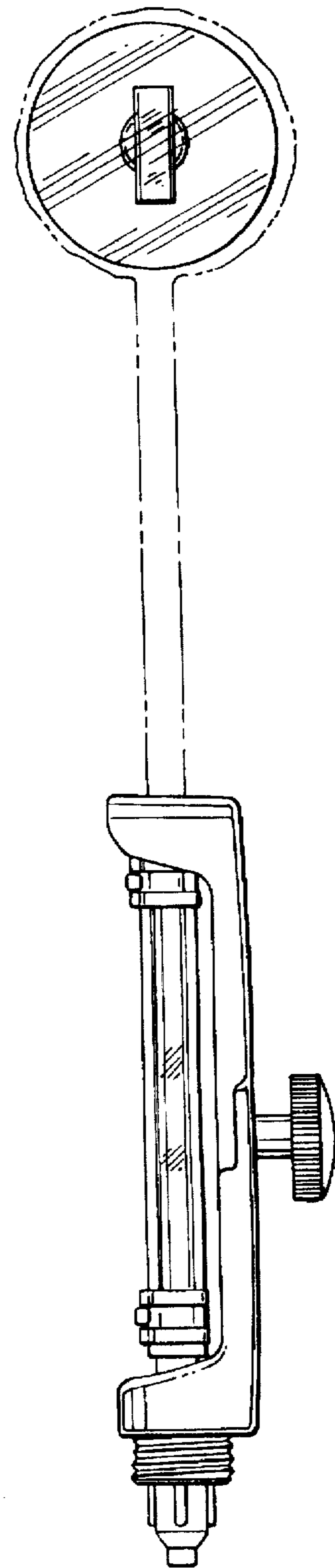
*Fig. 3*



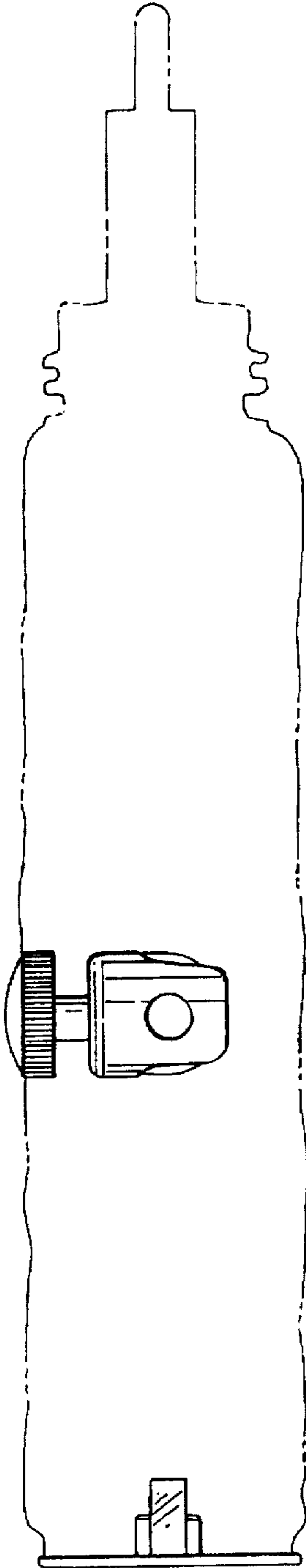
*Fig. 4*



*Fig. 5*



*Fig. 6*



*Fig. 7*

