



US00D392099S

United States Patent [19]

[11] Patent Number: **Des. 392,099**

Wang

[45] Date of Patent: ****Mar. 17, 1998**

[54] **HANDLE RECEIVING BRACKET FOR A SUITCASE**

Primary Examiner—Prabhakar G. Deshmukh
Attorney, Agent, or Firm—Morton J. Rosenberg; David I. Klein; Jun Y. Lee

[76] Inventor: **Jin-Jiao Wang**, No. 18, Lane 116, Ta An Gan Rd., Tachia Chen, Taichung Hsien, Taiwan

[57] **CLAIM**

[**] Term: **14 Years**

The ornamental design for a handle receiving bracket for a suitcase, as shown and described.

[21] Appl. No.: **68,597**

DESCRIPTION

[22] Filed: **Mar. 25, 1997**

FIG. 1 is a front-left-top perspective view of a handle receiving bracket for a suitcase, showing my new design; FIG. 2 is a front elevational view thereof; FIG. 3 is a rear elevational view thereof; FIG. 4 is a left elevational view thereof; FIG. 5 is a right elevational view thereof; FIG. 6 is a top plan view thereof; FIG. 7 is a bottom plan view thereof; FIG. 8 is a front-bottom-left perspective view of the handle receiving bracket for a suitcase, showing my design; and, FIG. 9 is a perspective view of the handle receiving bracket for a suitcase on a reduced scale and the claimed handle receiving bracket is disposed to a suitcase which is shown in phantom lines for illustrative purposes only and forms no part of the claimed design.

[51] LOC (6) Cl. **03-99**

[52] U.S. Cl. **D3/318**

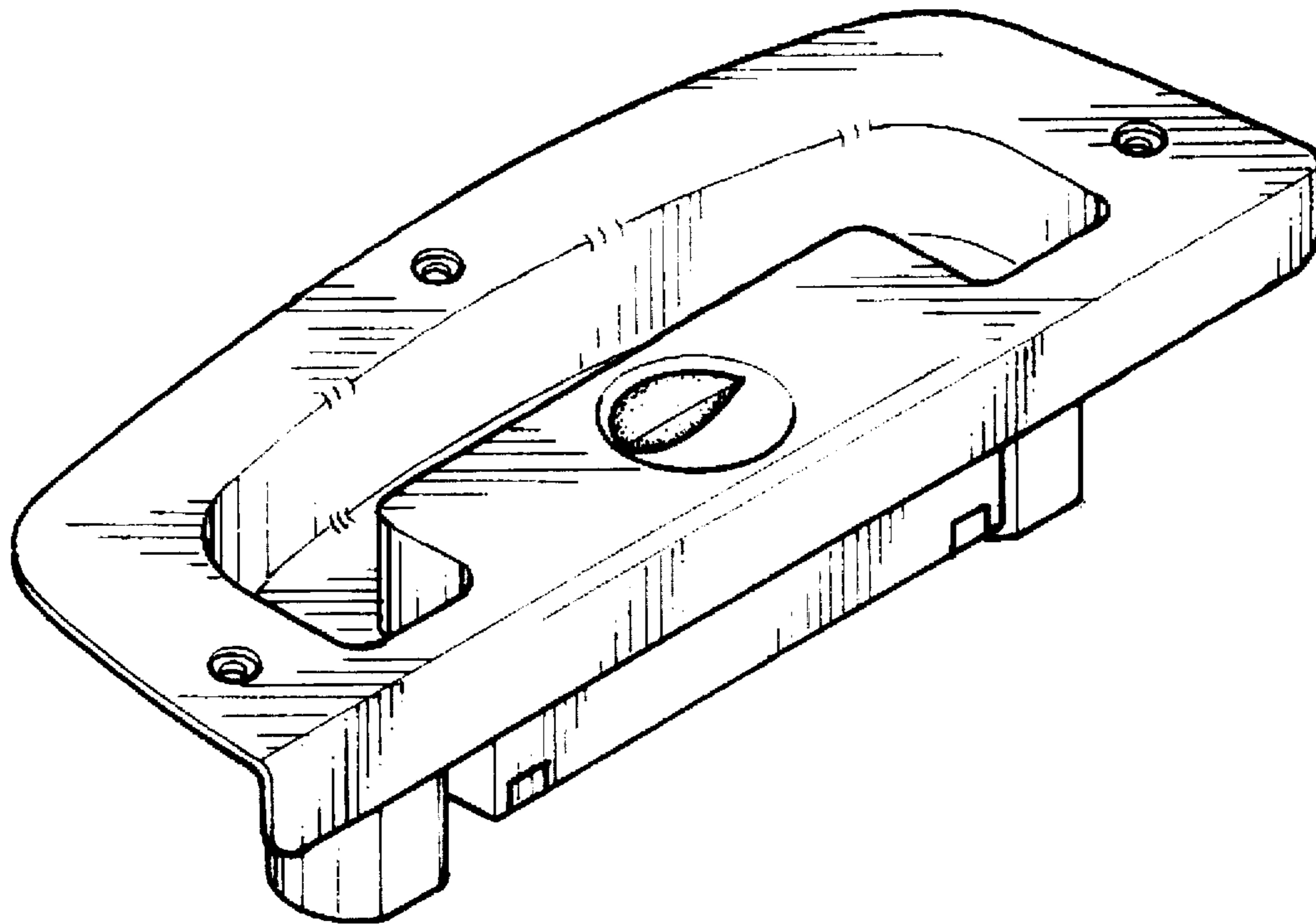
[58] Field of Search D3/318, 323, 273, D3/281, 282; 190/18 A, 115-118, 121, 122, 123; 280/655, 654, 47.315, 47.371

[56] **References Cited**

U.S. PATENT DOCUMENTS

D. 373,248	9/1996	Wang	D3/318
D. 373,902	9/1996	Wang	D3/318
5,452,778	9/1995	Wang	190/115
5,526,908	6/1996	Wang	190/18 A X
5,530,990	7/1996	Chen	190/115
5,560,083	10/1996	Teixeira	190/115 X
5,624,012	4/1997	Wang	190/115

1 Claim, 4 Drawing Sheets



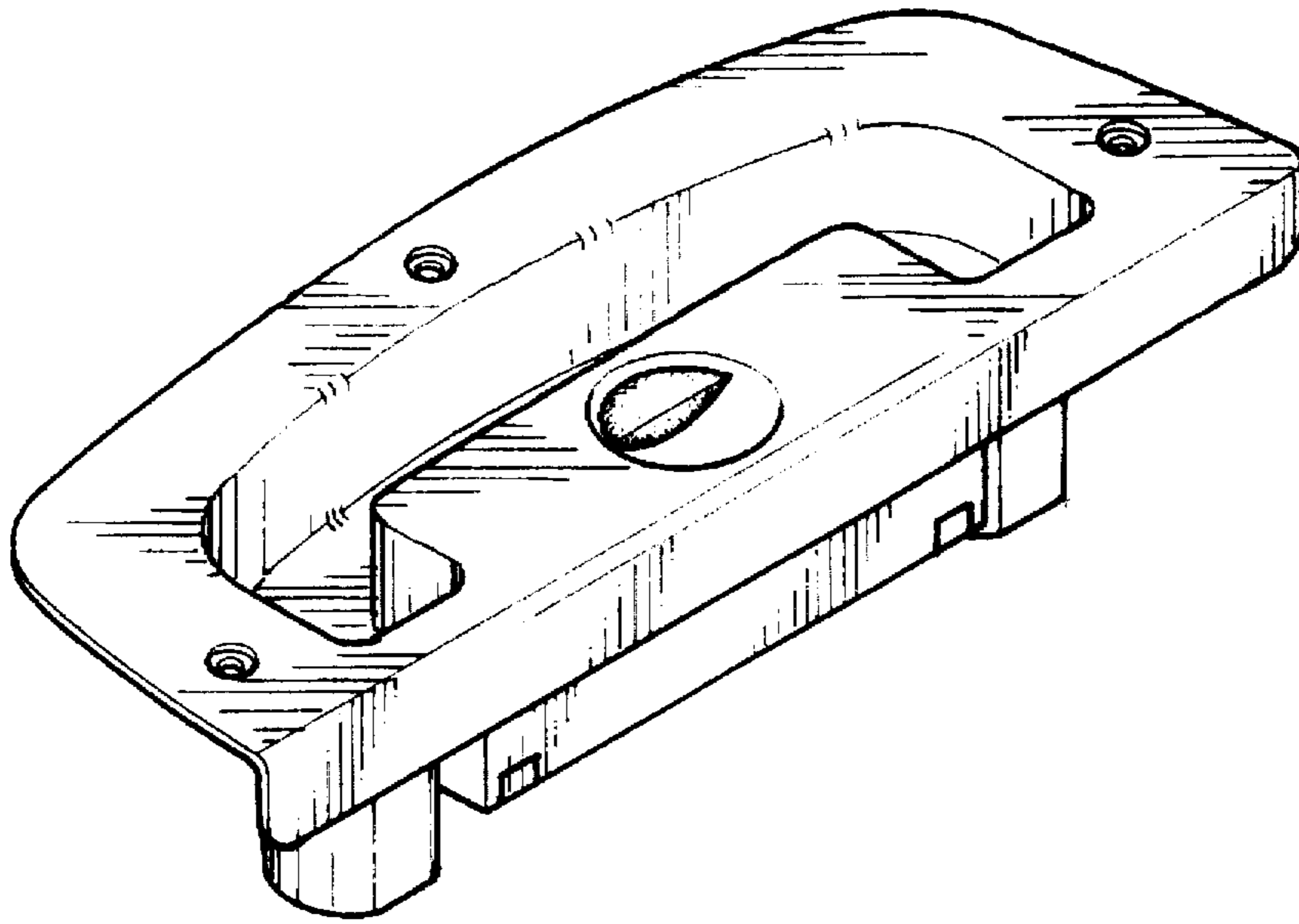


FIG. 1

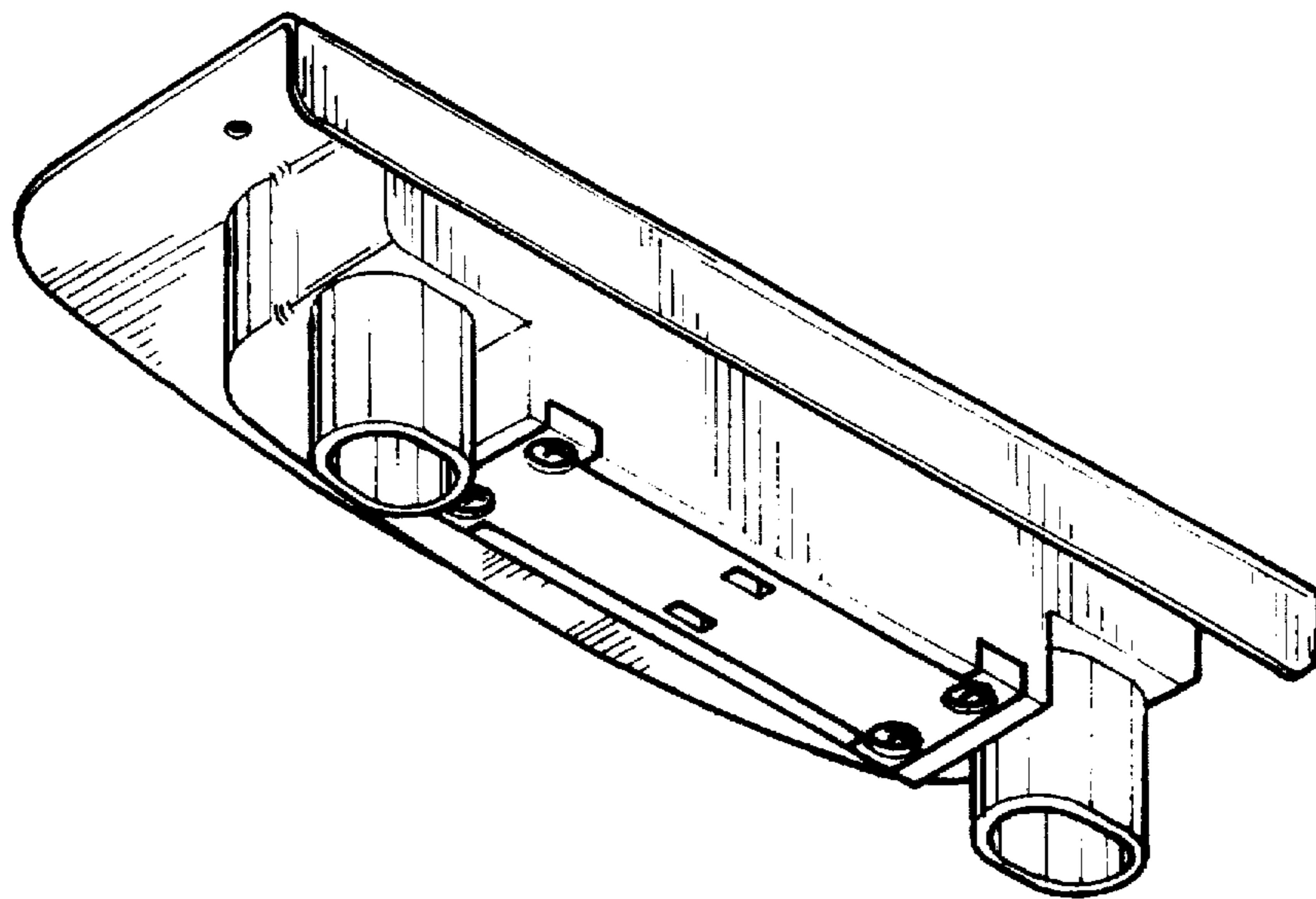


FIG. 8

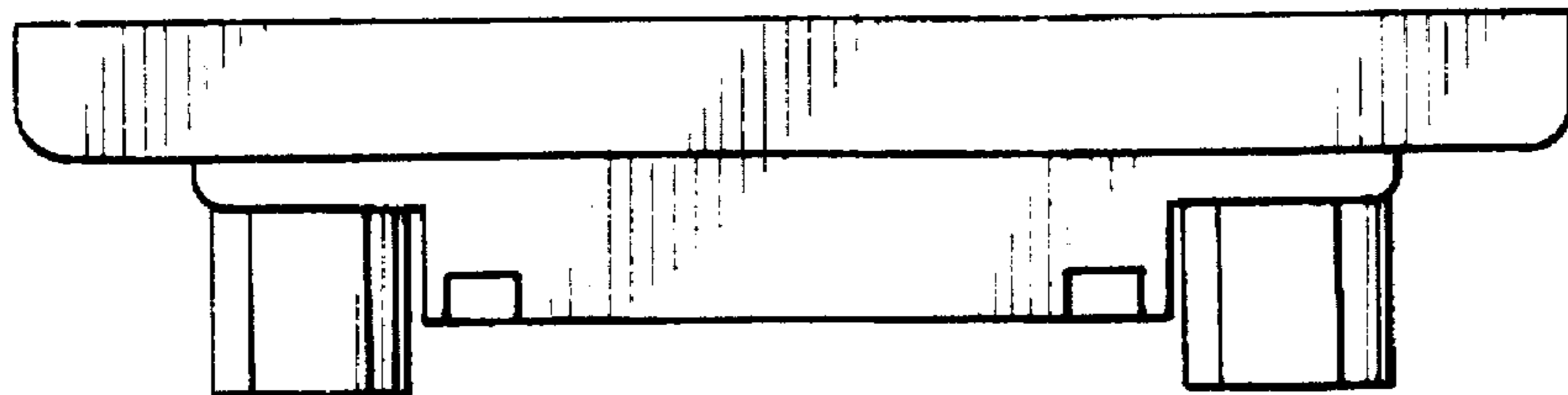


FIG. 2

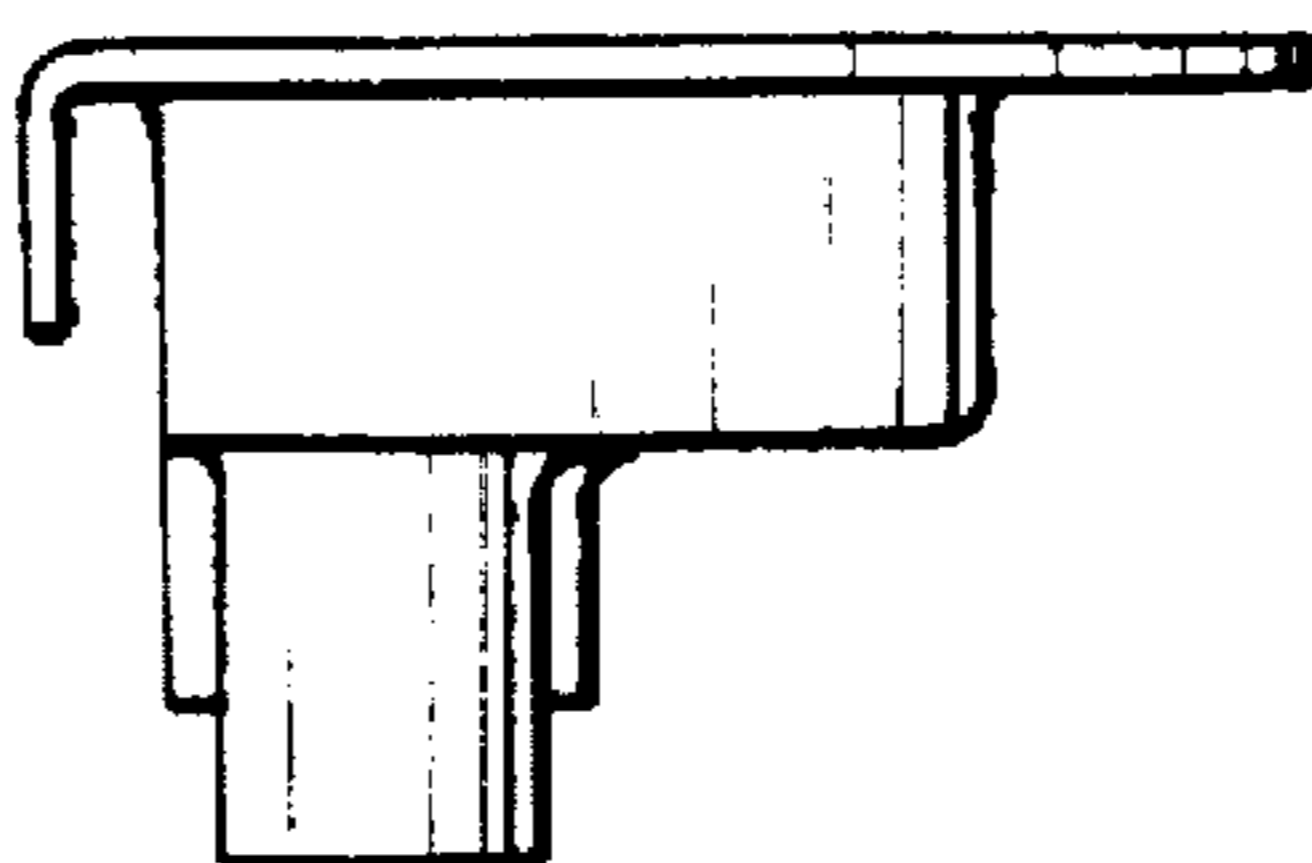


FIG. 5

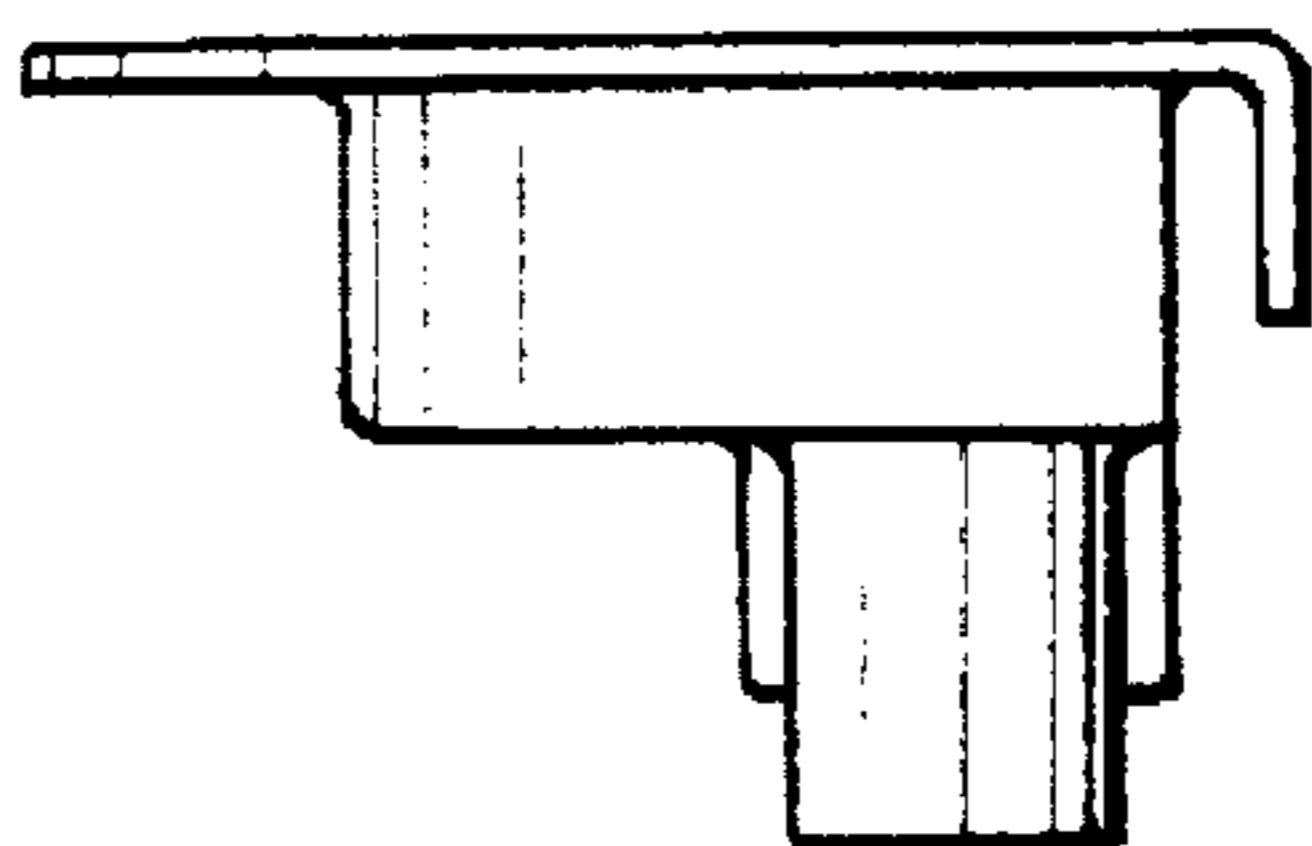


FIG. 4

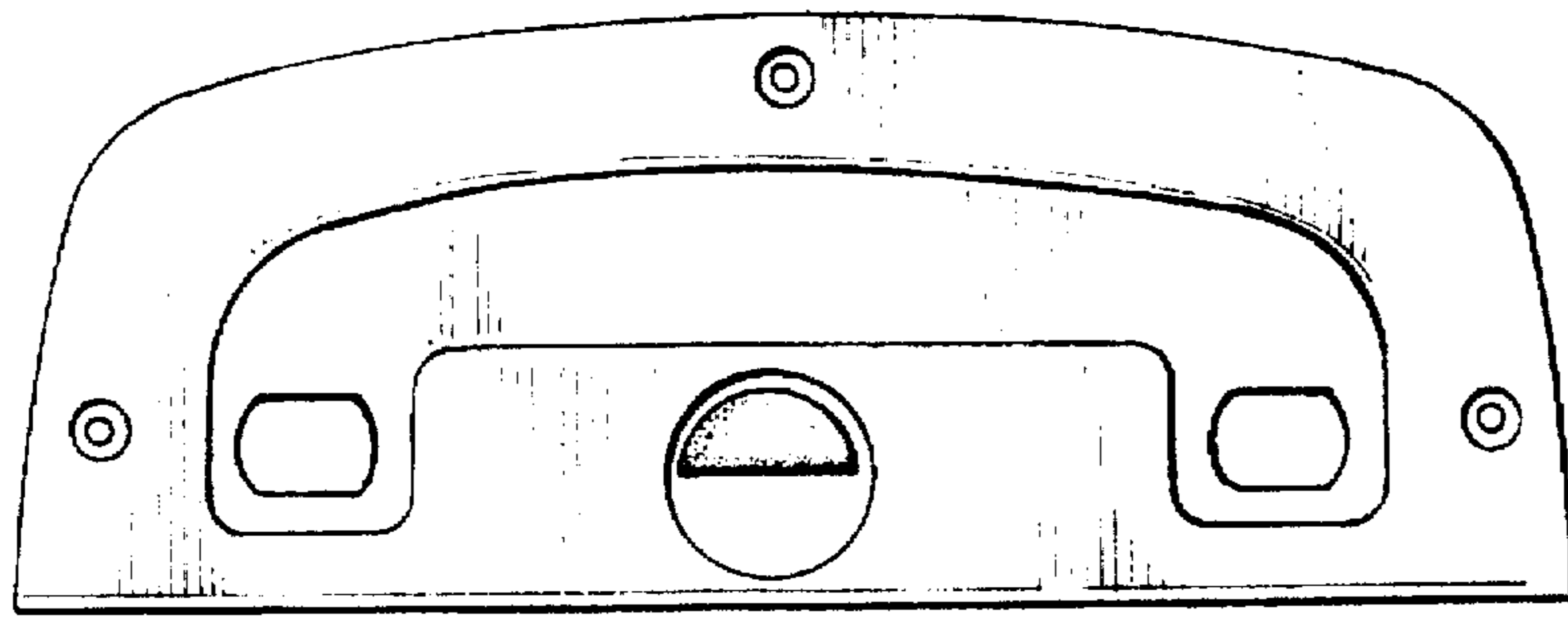


FIG. 6

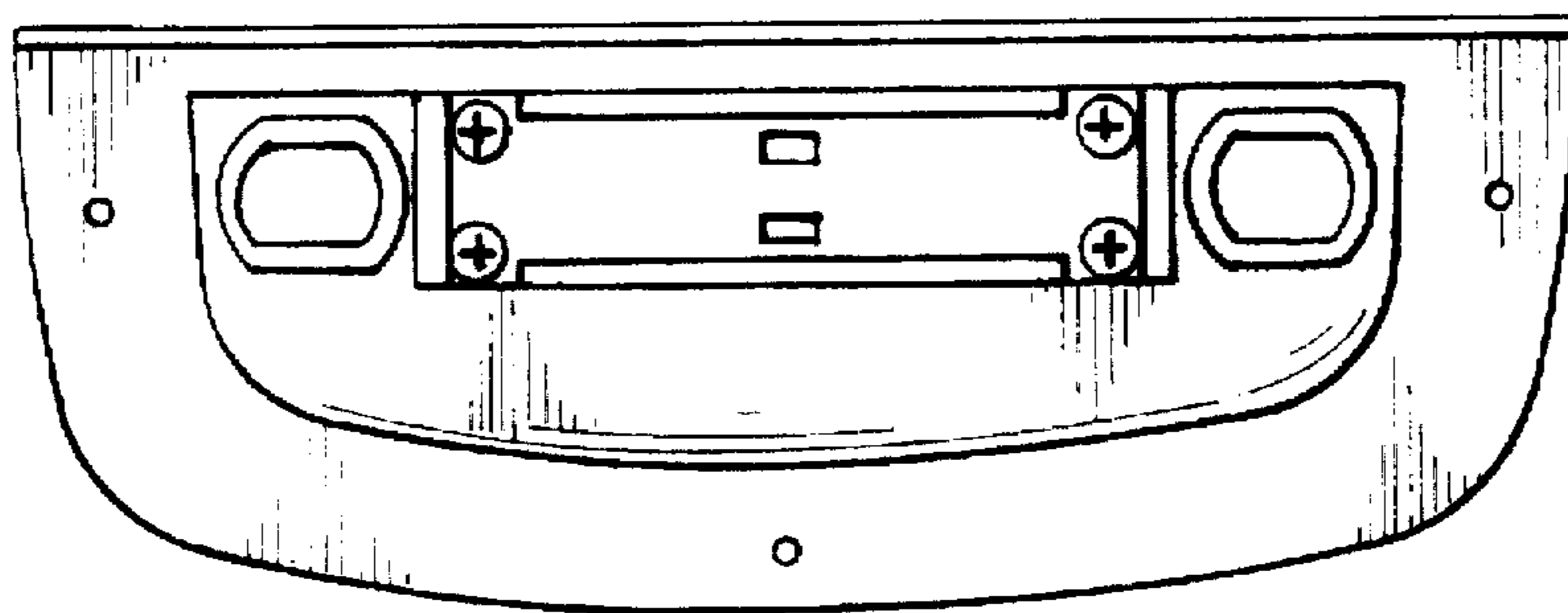


FIG. 7

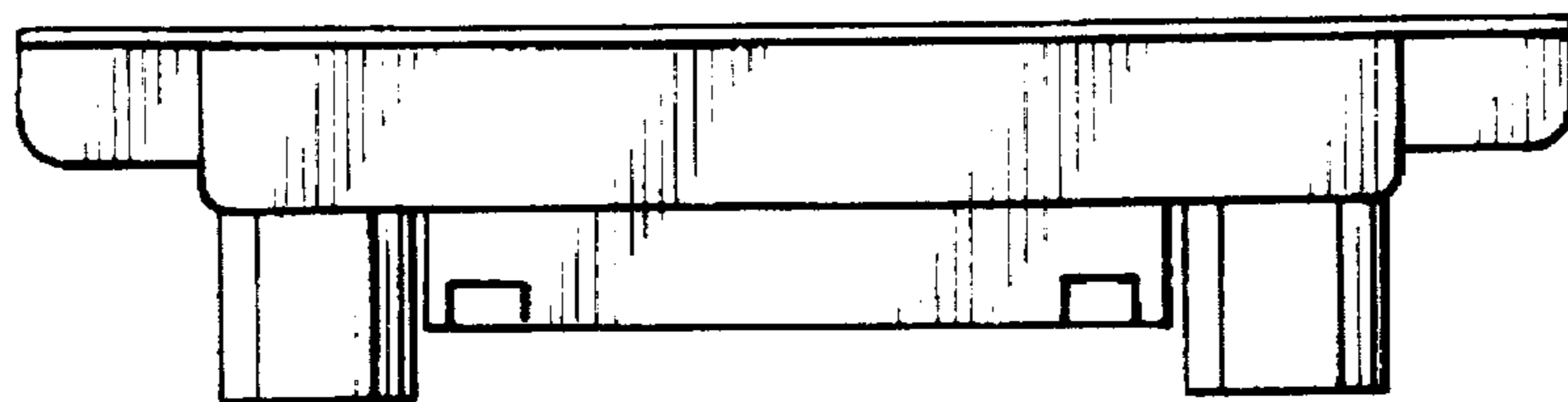


FIG. 3

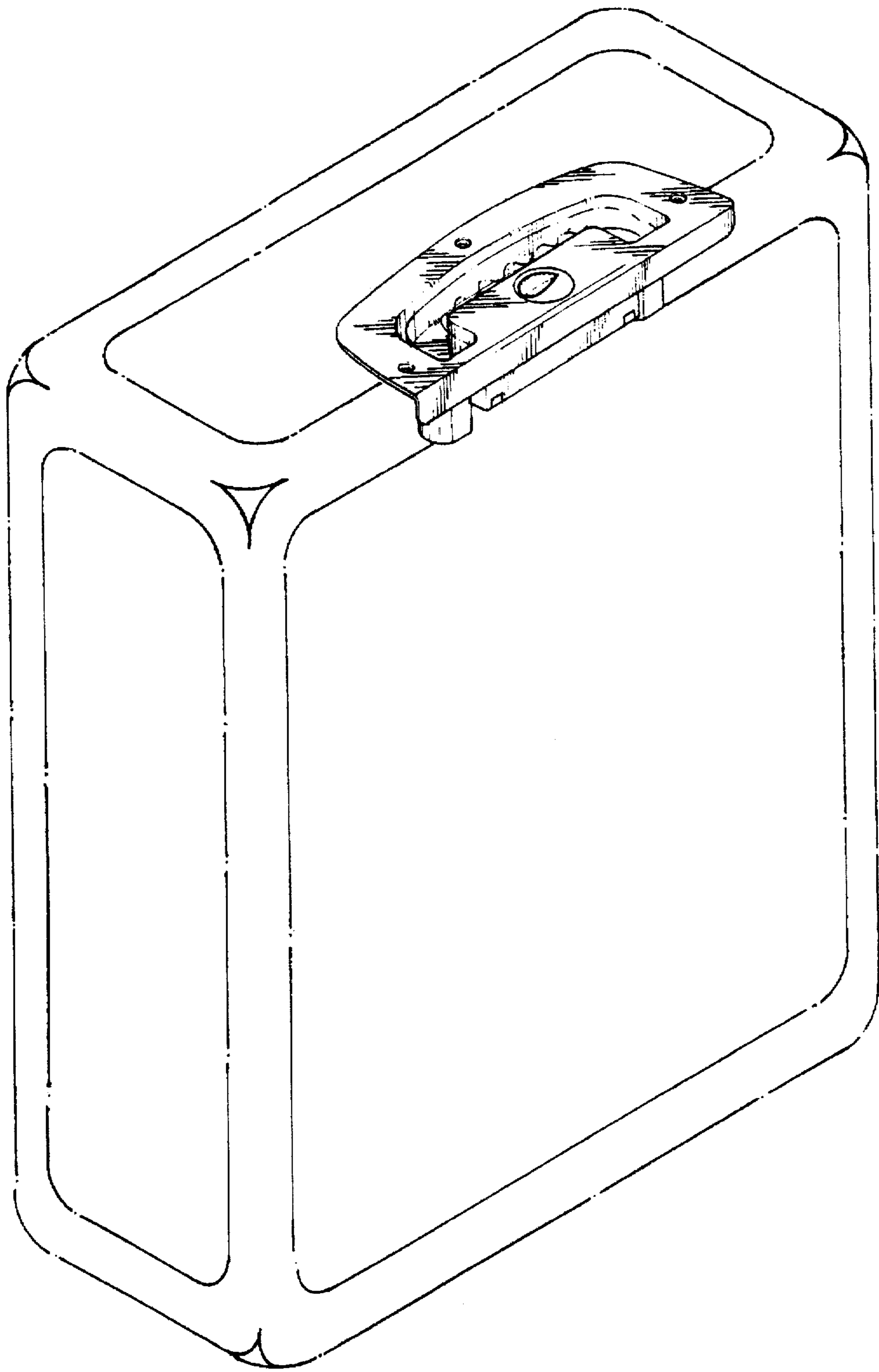


FIG. 9