



US00D392098S

United States Patent [19]

Finkelman

[11] Patent Number: **Des. 392,098**

[45] Date of Patent: ****Mar. 17, 1998**

[54] **HANGER**

[76] Inventor: **Jack Finkelman**, 26-10 Union St.,
Flushing, Queens, N.Y. 11354

[**] Term: **14 Years**

[21] Appl. No.: **64,910**

[22] Filed: **Jan. 14, 1997**

[51] LOC (6) CL **03-01**

[52] U.S. Cl. **D3/315; D6/326; D9/434**

[58] Field of Search **D6/315, 328, 317,
D6/318, 326; D3/315; 211/113; 89/434;
294/158, 159, 170**

1,815,673	7/1931	Kelley .	
2,454,944	11/1948	Reynolds	D6/326
3,448,903	6/1969	Snow	223/96
3,482,747	12/1969	Jones .	
4,923,235	5/1990	Stewart .	
4,991,894	2/1991	Rutens .	
5,181,757	1/1993	Montoya .	
5,263,755	11/1993	Thompson .	
5,441,323	8/1995	Goddard .	
5,447,259	9/1995	Erickson	294/159
5,487,581	1/1996	Carmo .	
5,509,708	4/1996	Nathan .	
5,516,175	5/1996	Christensen .	

Primary Examiner—B. J. Bullock
Attorney, Agent, or Firm—Gottlieb, Rackman & Reisman,
P.C.

[56] **References Cited**

U.S. PATENT DOCUMENTS

D. 82,948	12/1930	Livingston	D6/318
D. 179,677	2/1957	Crill et al.	D6/326
D. 309,220	7/1990	Welch	D6/317
D. 314,150	1/1991	Preciutti .	
D. 336,732	6/1993	Joyner .	
D. 340,863	11/1993	Daigle .	
D. 361,264	8/1995	West .	
D. 362,622	9/1995	Van Davelaar .	
D. 375,630	11/1996	Oliver	D3/315
899,806	9/1908	Rieder .	
1,498,247	6/1924	Stewart .	

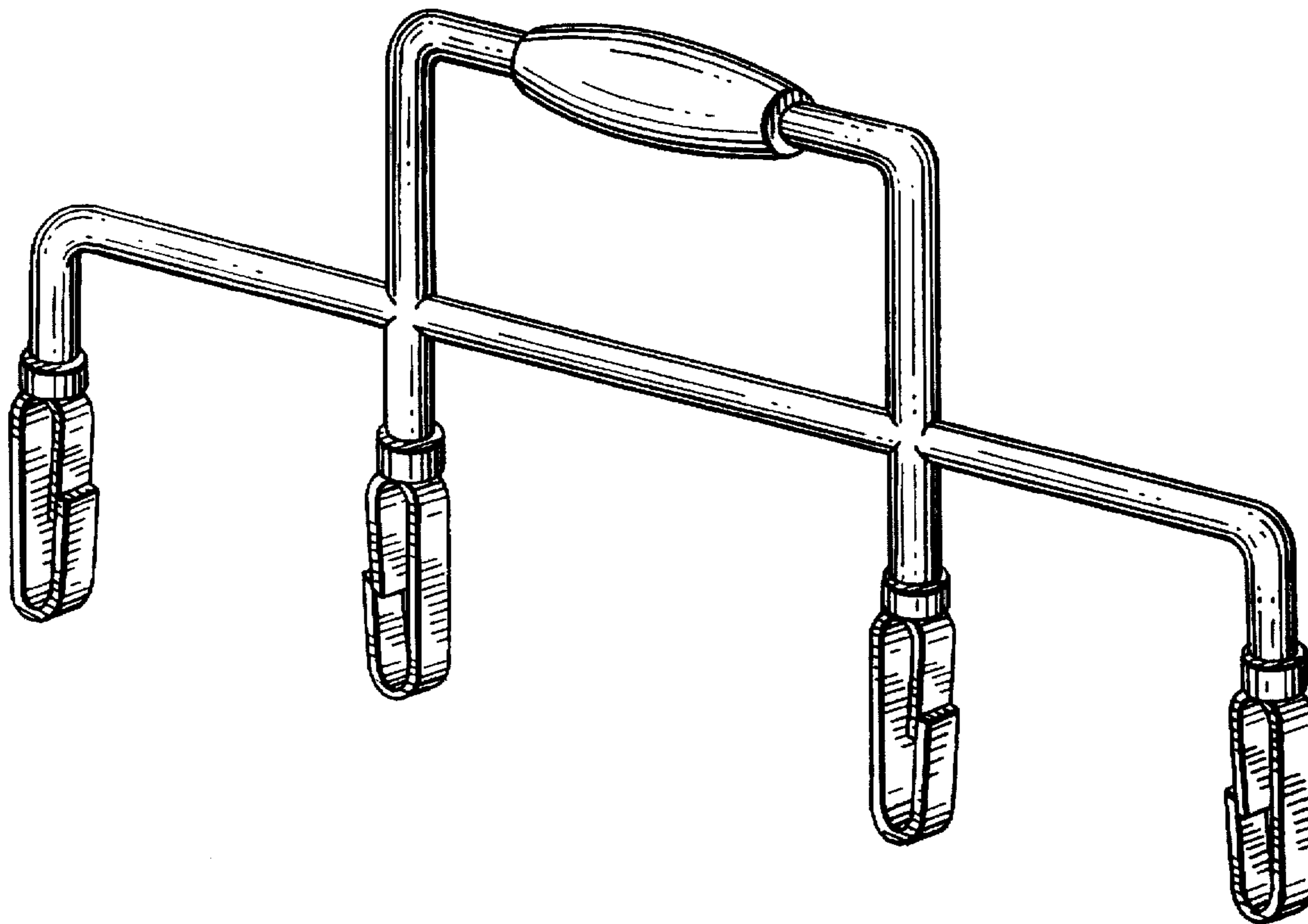
[57] **CLAIM**

The ornamental design for a hanger, as shown and described.

DESCRIPTION

FIG. 1 is a perspective view of the hanger;
FIG. 2 is a top plan view thereof;
FIG. 3 is a front elevational view thereof, the rear being
identical;
FIG. 4 is a side elevational view thereof; and,
FIG. 5 is a bottom plan view thereof.

1 Claim, 2 Drawing Sheets



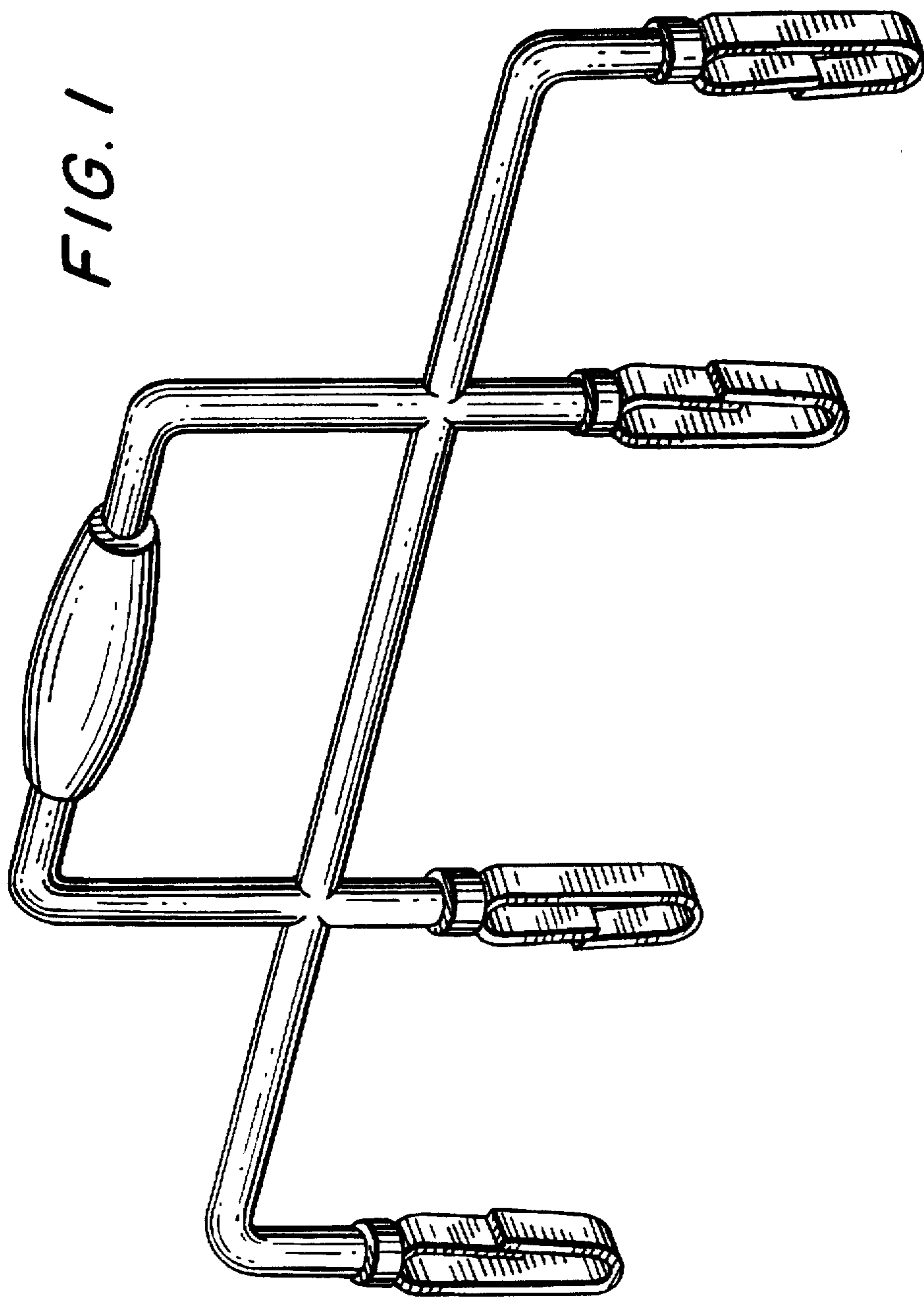


FIG. 1



FIG. 2



FIG. 4

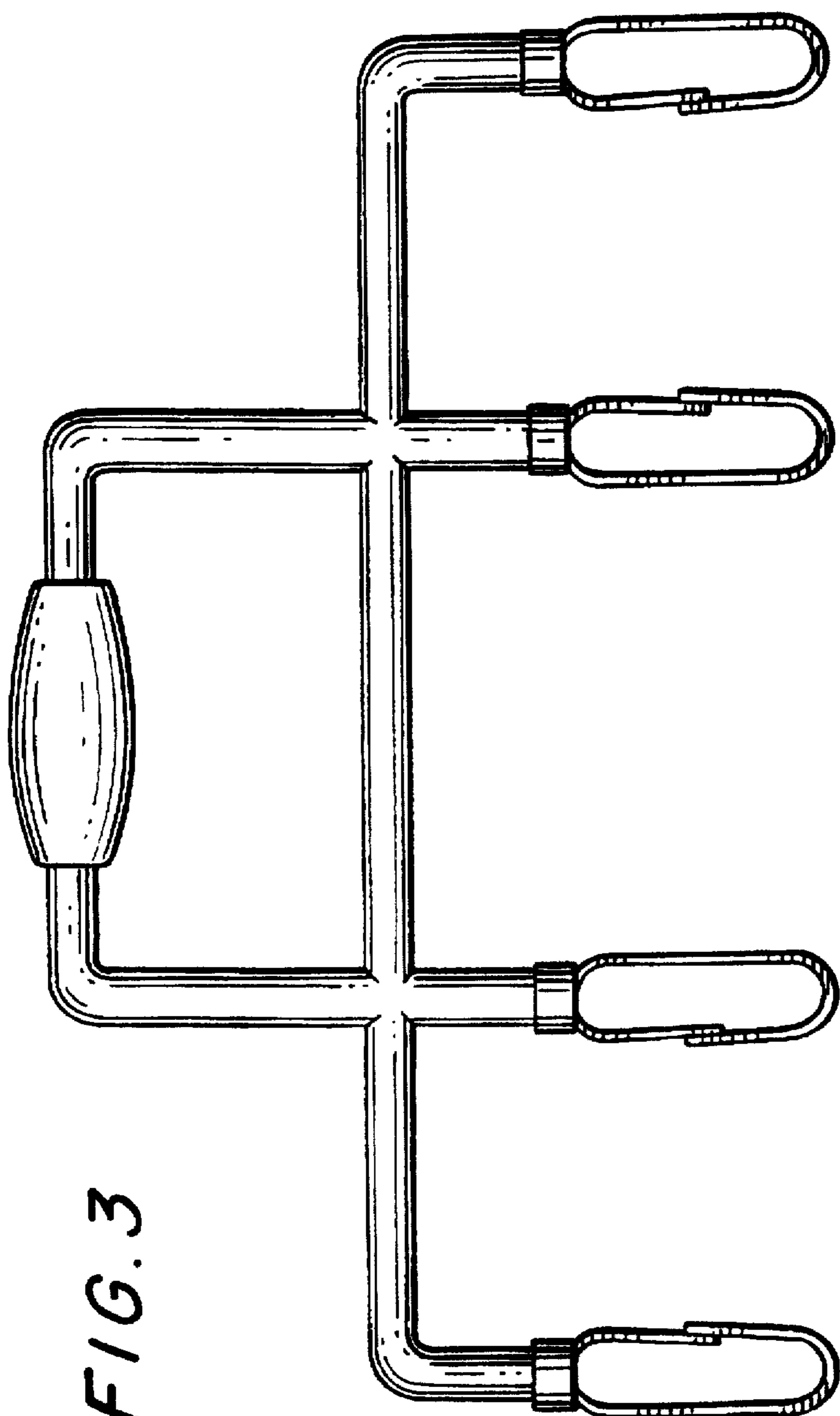


FIG. 3



FIG. 5