



US00D392094S

**United States Patent** [19]  
**Lane**

[11] **Patent Number: Des. 392,094**  
[45] **Date of Patent: \*\*Mar. 17, 1998**

[54] **COMPUTER PACK**

[76] **Inventor: Jenai K. Lane, 2790 Pine St., #3, San Francisco, Calif. 94115**

[\*\*] **Term: 14 Years**

[21] **Appl. No.: 59,586**

[22] **Filed: Sep. 13, 1996**

**Related U.S. Application Data**

[63] **Continuation-in-part of Ser. No. 57,971, Aug. 5, 1996.**

[51] **LOC (6) Cl. .... 03-01**

[52] **U.S. Cl. .... D3/217**

[58] **Field of Search .... D3/216, 217, 214, D3/201; 224/627, 637, 640, 645, 651, 652-659, 575, 578, 153-156**

[56] **References Cited**

**U.S. PATENT DOCUMENTS**

D. 215,825	11/1969	Hutton et al. ....	D3/217
D. 249,188	8/1978	Stewart .....	D3/217
D. 249,189	8/1978	Stewart .....	D3/217
D. 338,779	8/1993	Albert .....	D3/217
D. 359,847	7/1995	Callegari .....	D3/217
D. 365,926	1/1996	D'Angelo .....	D3/217

D. 374,979	10/1996	Robertson .....	D3/217
4,018,369	4/1977	Jaeger .....	D3/212 X
5,022,574	6/1991	Cesari .....	224/629 X
5,409,152	4/1995	Trevino .....	224/657 X

**OTHER PUBLICATIONS**

Roma Kids, vol. 72, Jan. 6, 1988, p. 169.

*Primary Examiner*—Prabhakar G. Deshmukh  
*Attorney, Agent, or Firm*—Janis Biksa

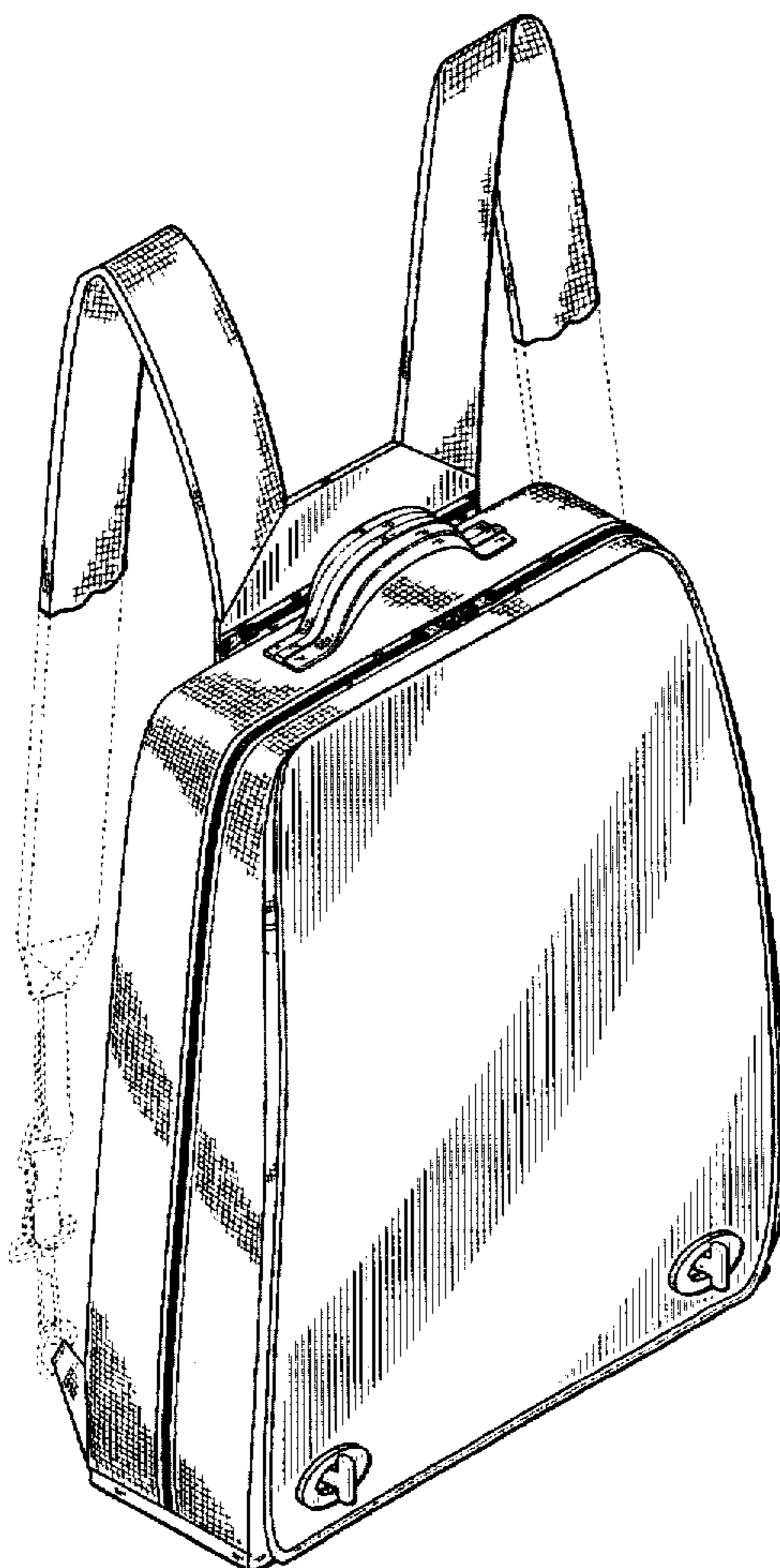
[57] **CLAIM**

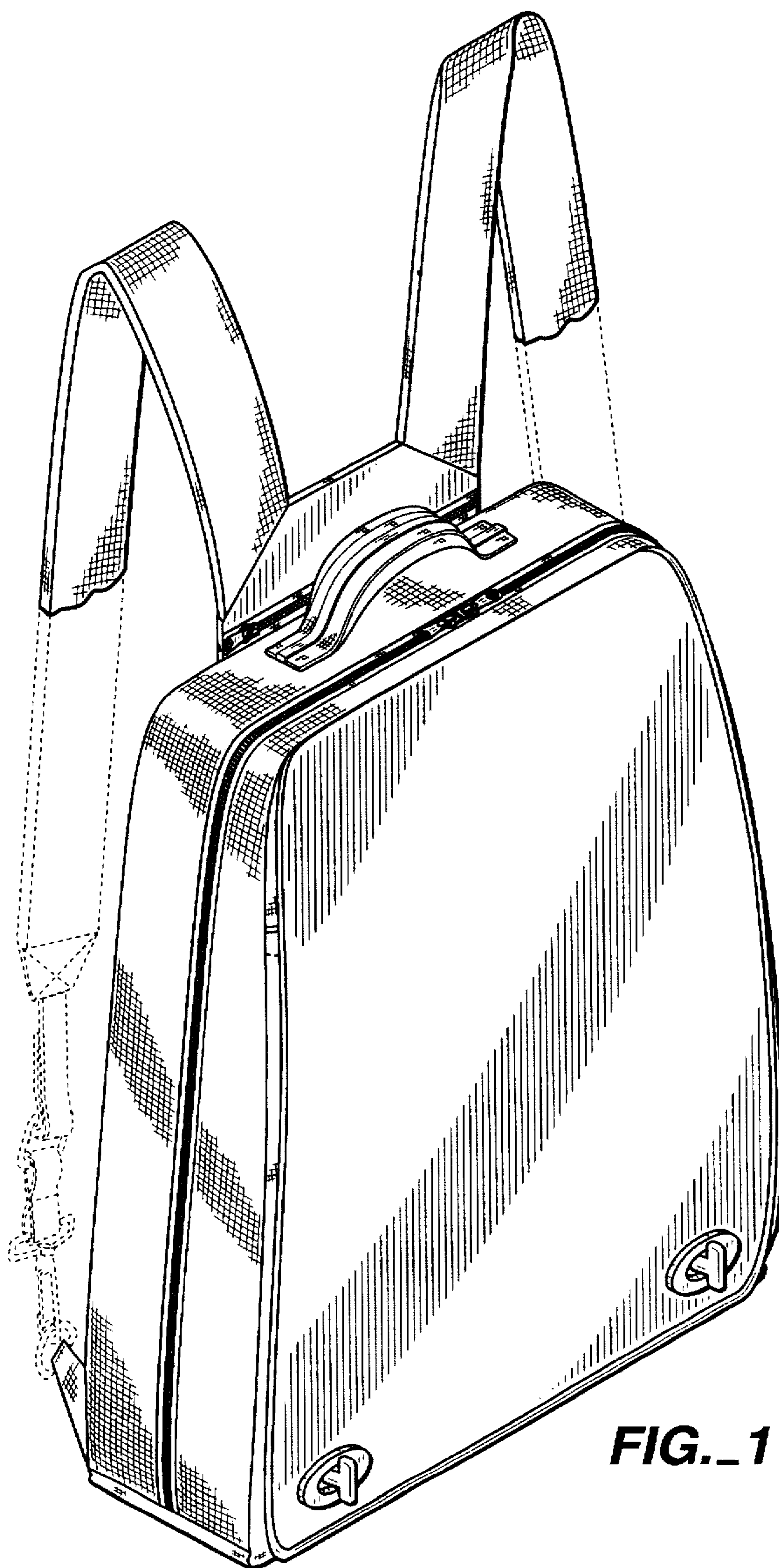
The ornamental design for a computer pack, as shown and described.

**DESCRIPTION**

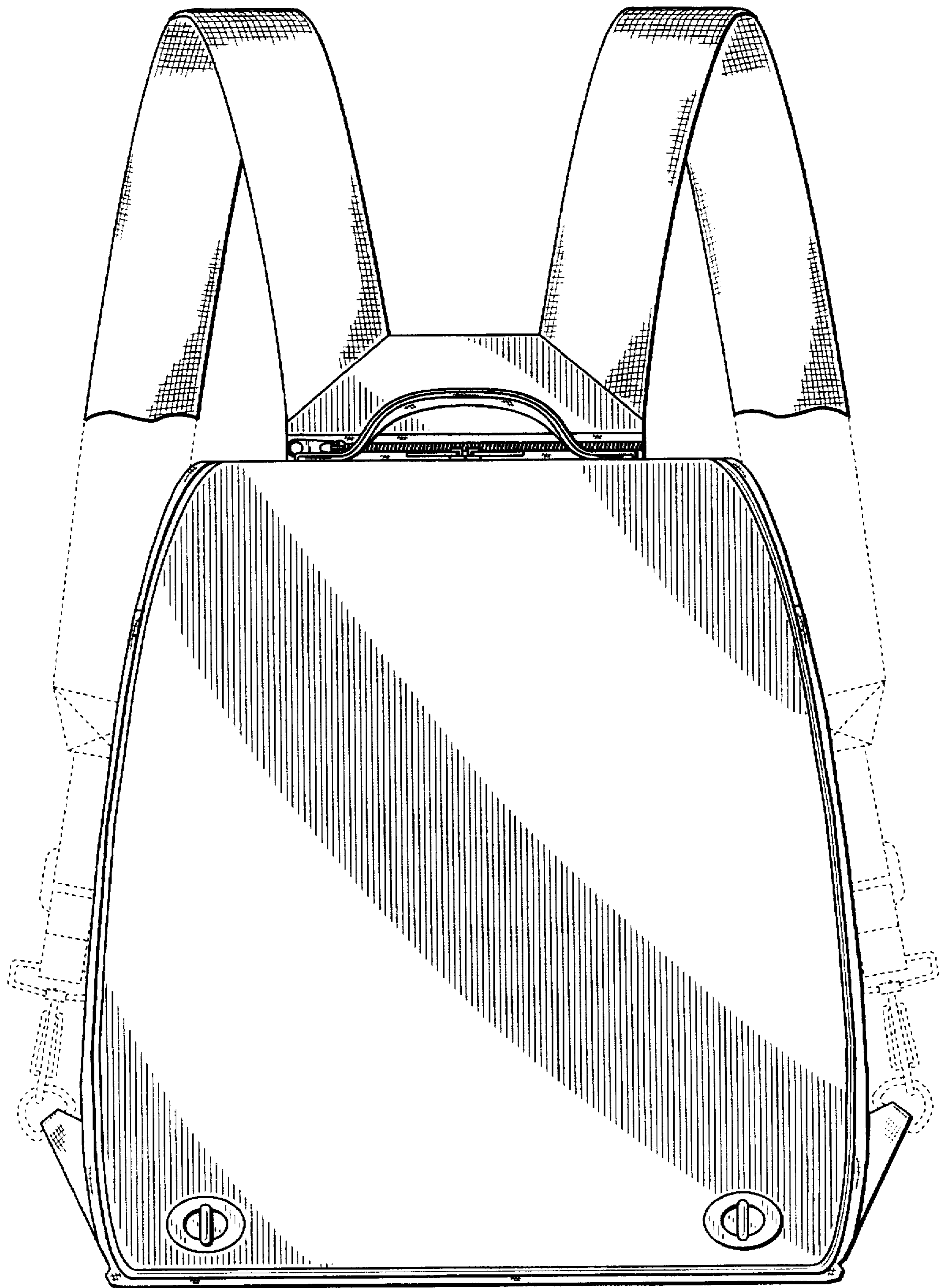
FIG. 1 is a perspective view of a computer pack, showing my new design in a closed state, according to the invention; FIG. 2 is a front view thereof; FIG. 3 is a right side view thereof; FIG. 4 is a back view thereof; FIG. 5 is a left side view thereof; FIG. 6 is a top view thereof; and, FIG. 7 is a bottom view thereof, the broken lines showing part of the support structure with attachment and the laptop computer are for illustrative purposes only and forms no part of the claim. Other broken lines represent stitch lines.

**1 Claim, 5 Drawing Sheets**



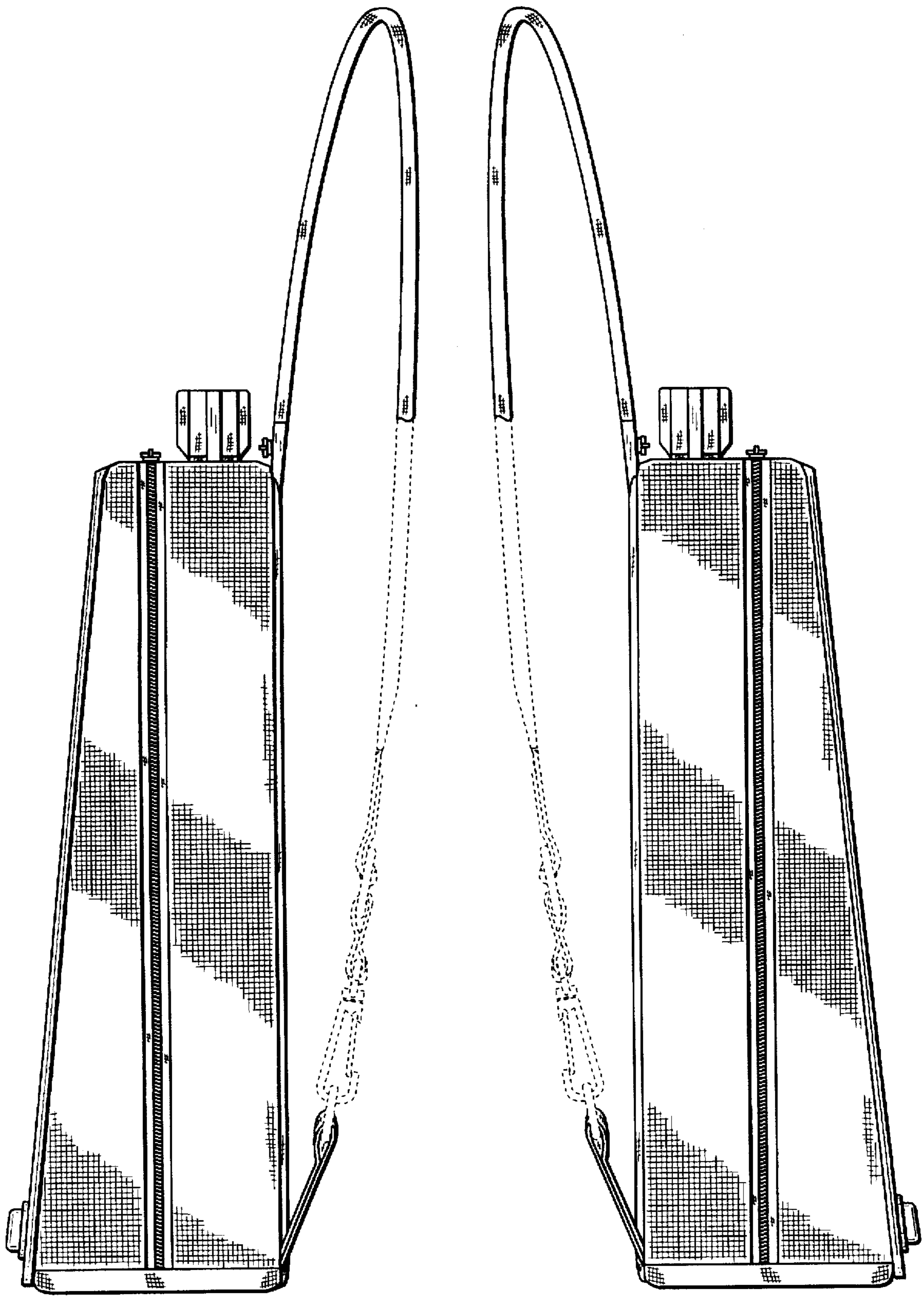


**FIG. 1**



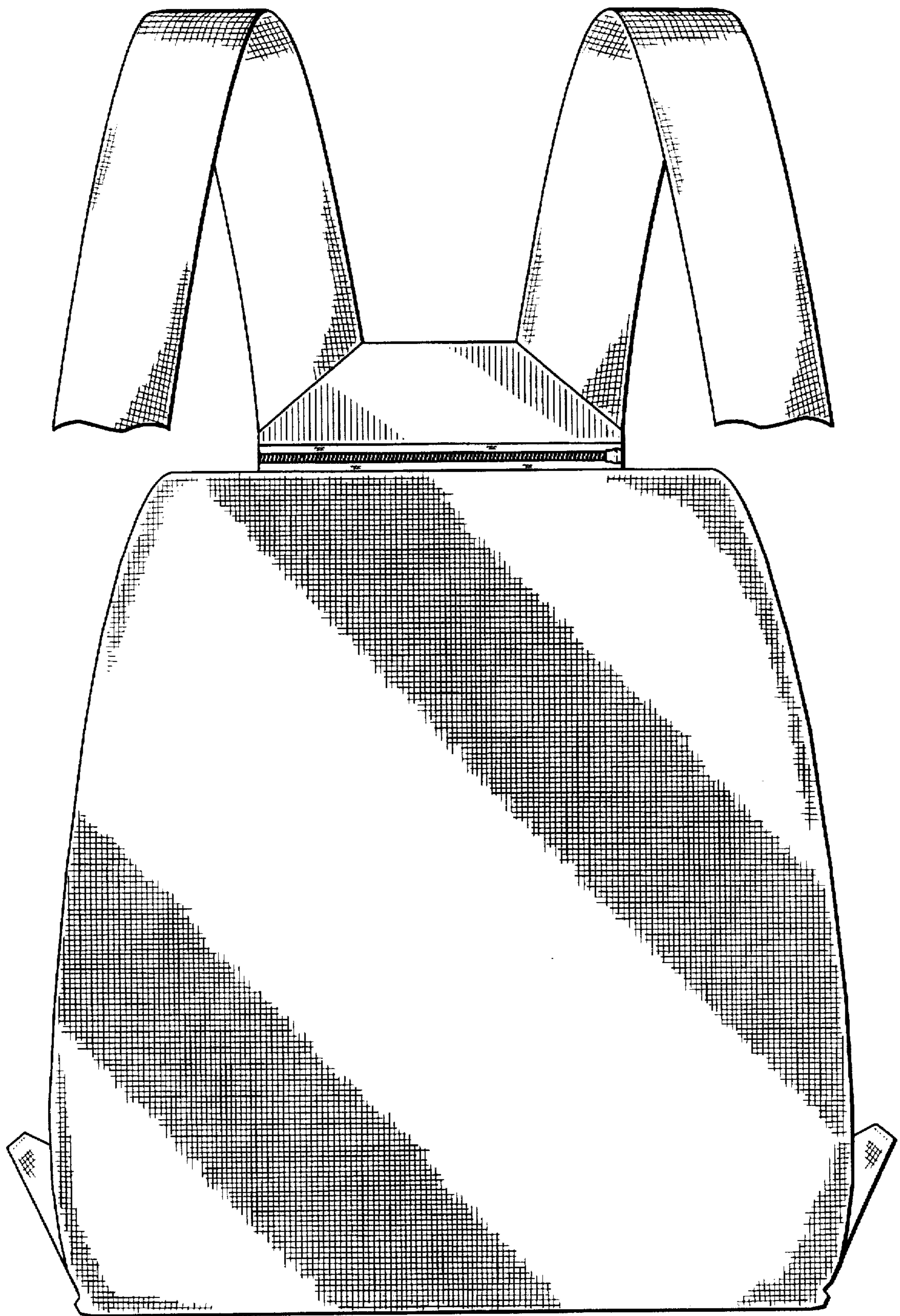
**FIG. 2**



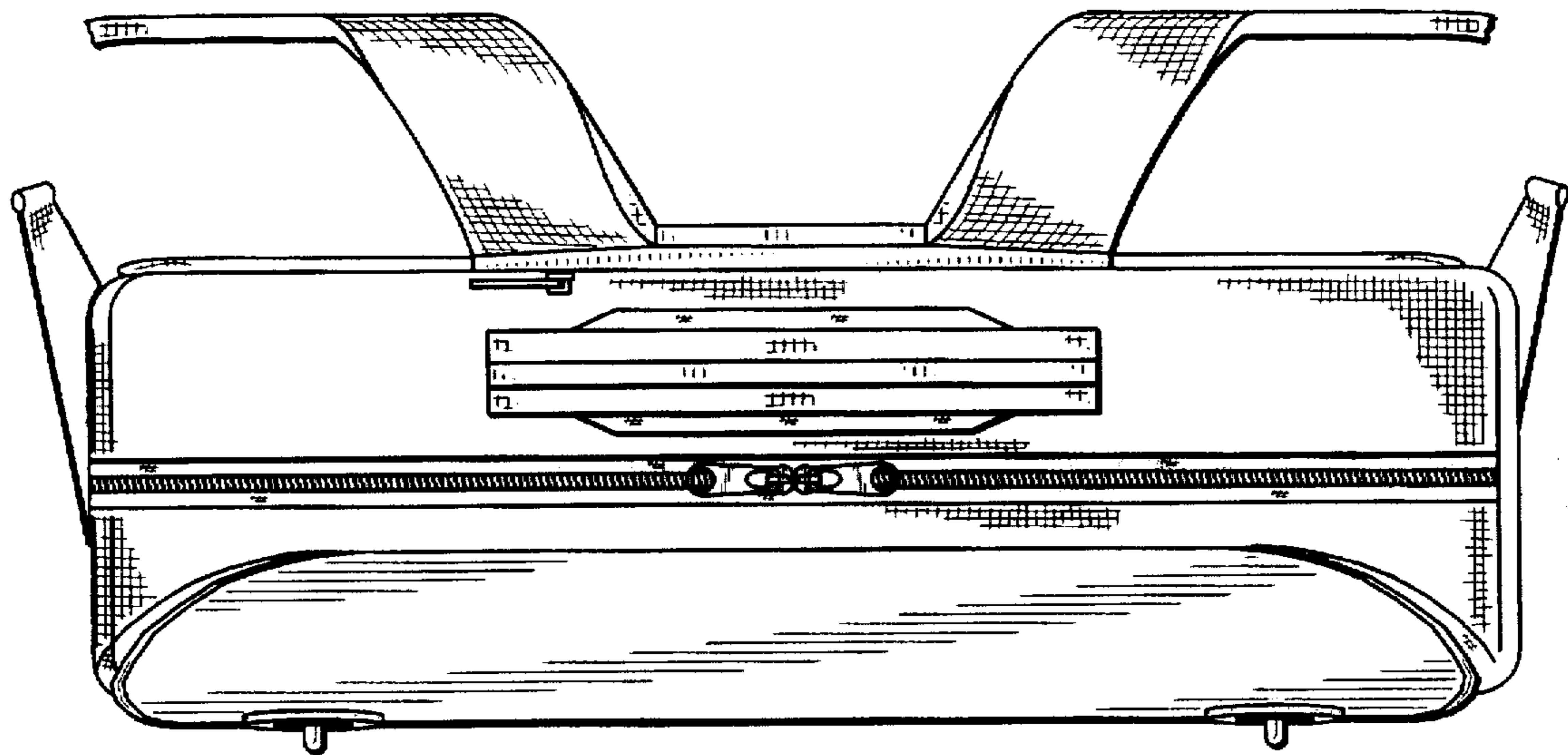


**FIG.\_3**

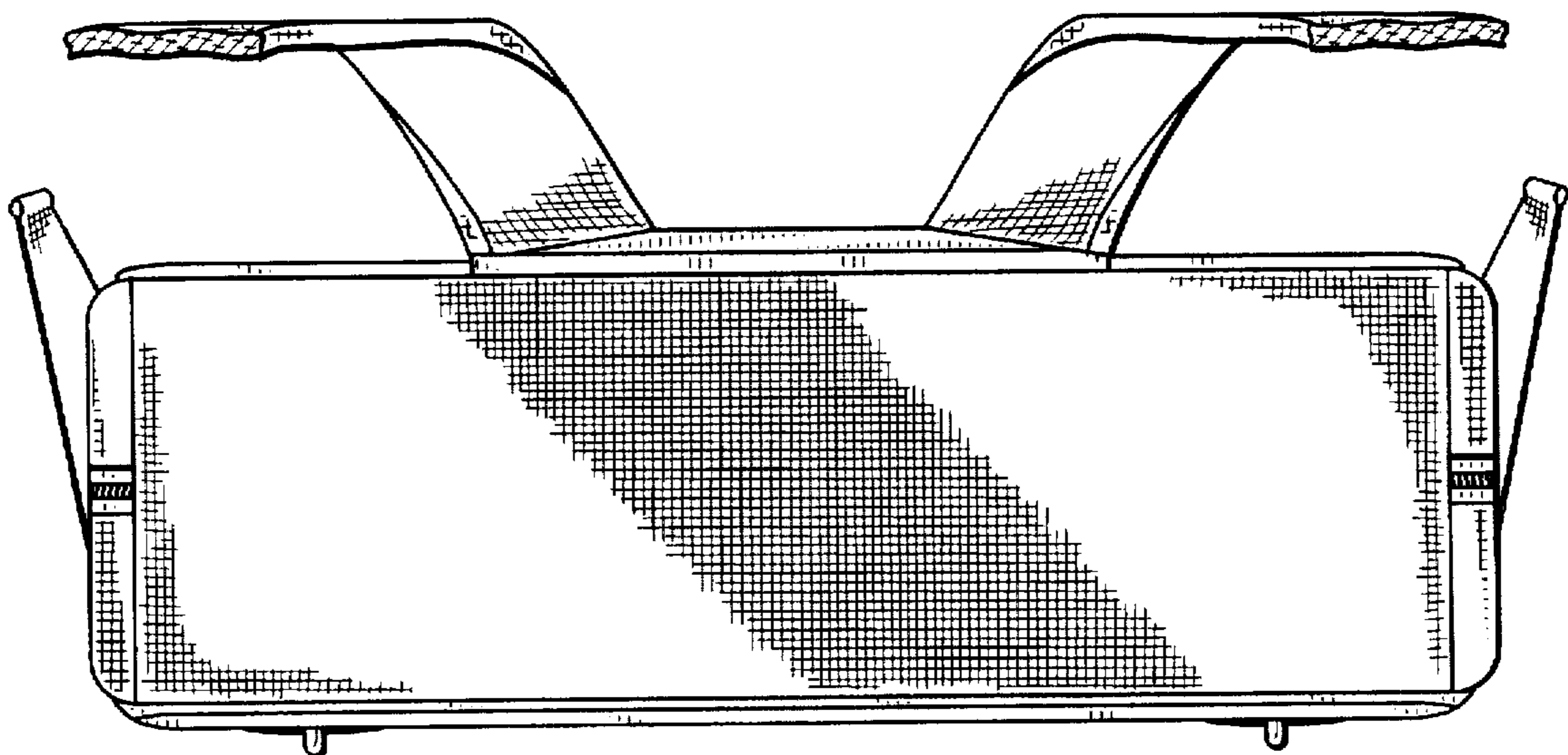
**FIG.\_5**



**FIG. 4**



**FIG.\_6**



**FIG.\_7**