



US00D392093S

United States Patent [19]
Dierking

[11] **Patent Number: Des. 392,093**
[45] **Date of Patent: **Mar. 17, 1998**

[54] **VIAL HOLDER**

5,115,816 5/1992 Lee D24/130
5,240,047 8/1993 Hedges 206/365
5,669,502 9/1997 Ong et al. 206/528

[75] **Inventor: James R. Dierking, Portland, Oreg.**

[73] **Assignee: Liberty Natural Products, Inc.,
Portland, Oreg.**

Primary Examiner—Stella Reid
Attorney, Agent, or Firm—Dellett and Walters; Ingrid M.
McTaggart

[**] **Term: 14 Years**

[57] **CLAIM**

[21] **Appl. No.: 59,657**

The ornamental design for a vial holder, as shown and described.

[22] **Filed: Sep. 3, 1996**

DESCRIPTION

[51] **LOC (6) Cl. 03-01**

[52] **U.S. Cl. D3/208**

[58] **Field of Search D3/208, 207; D24/130,
D24/128, 127; 206/37.1, 37, 38, 37.2, 37.5,
37.7, 37.8, 528, 530, 477, 480, 485, 364,
365, 495, 524.6**

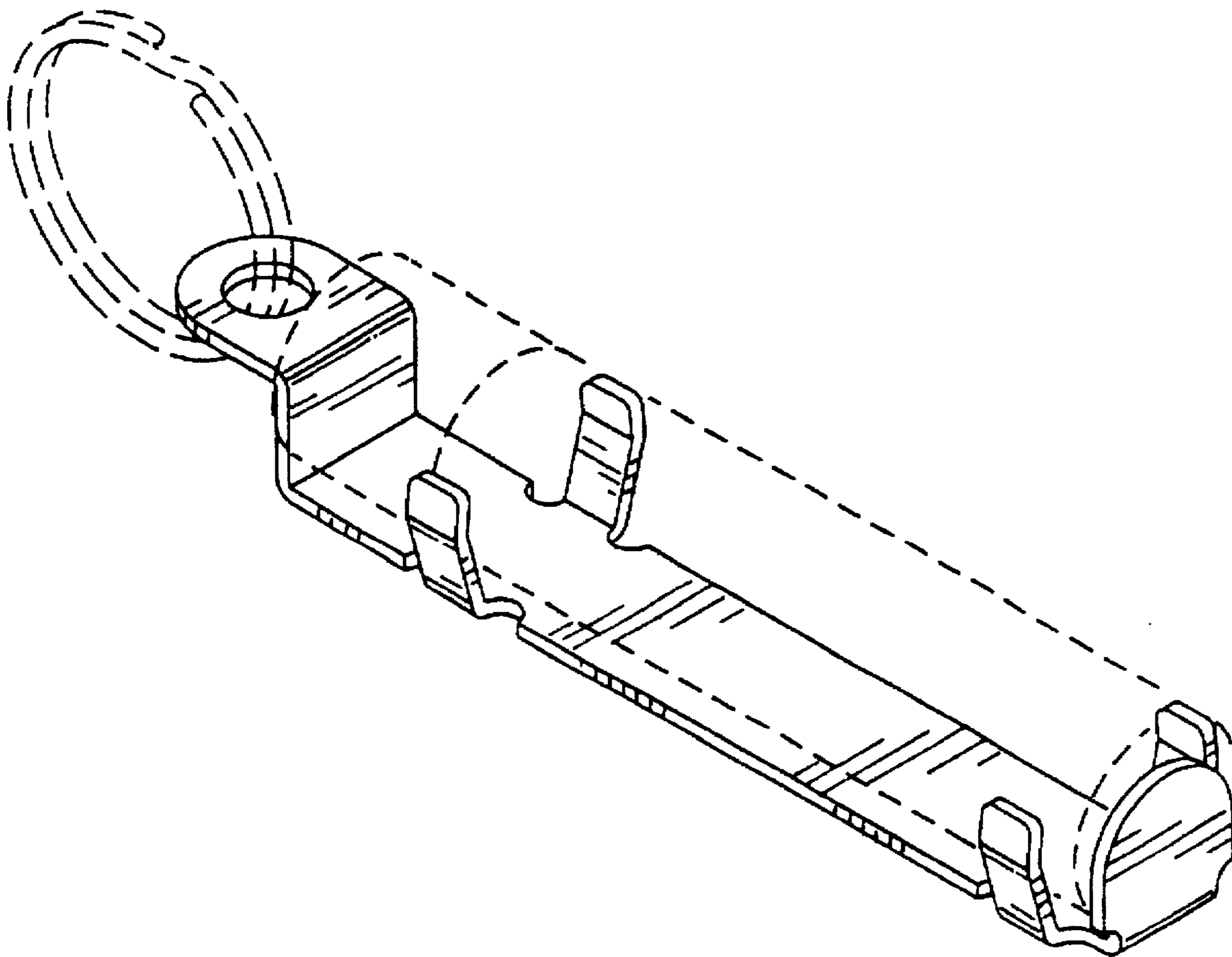
FIG. 1 is a front elevational view of a vial holder, showing my new design;
FIG. 2 is a rear elevational view thereof;
FIG. 3 is a left side elevational view thereof, the right side elevational view being a mirror image thereof;
FIG. 4 is a top plan view thereof;
FIG. 5 is a bottom plan view thereof; and,
FIG. 6 is an isometric view thereof, the broken line showing of the vial and keychain ring is for illustrative purposes only and forms no part of the claimed design.

[56] **References Cited**

U.S. PATENT DOCUMENTS

D. 198,021 4/1964 Bush D3/208
D. 295,315 4/1988 Nelson D20/130
D. 336,778 6/1993 Miller D3/208
D. 337,885 8/1993 O'Brien D3/208

1 Claim, 1 Drawing Sheet



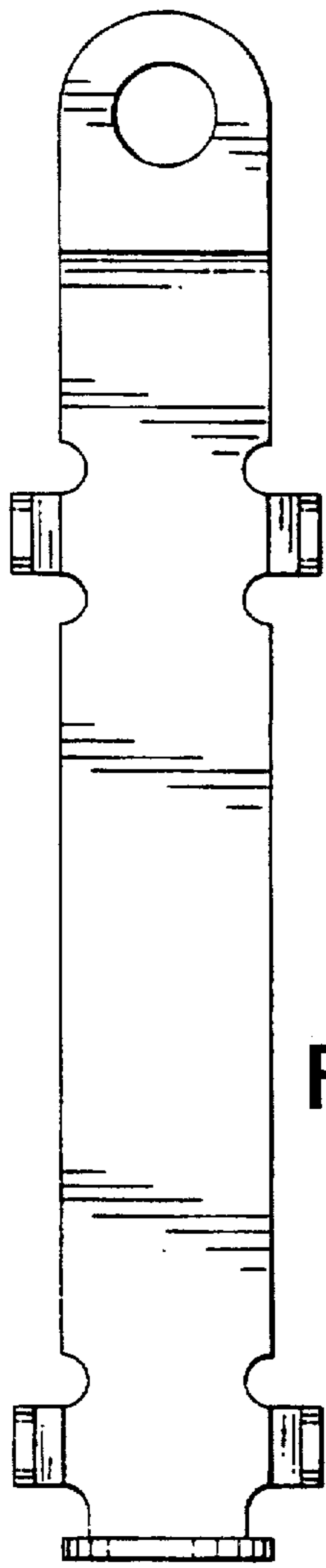


FIG. 1

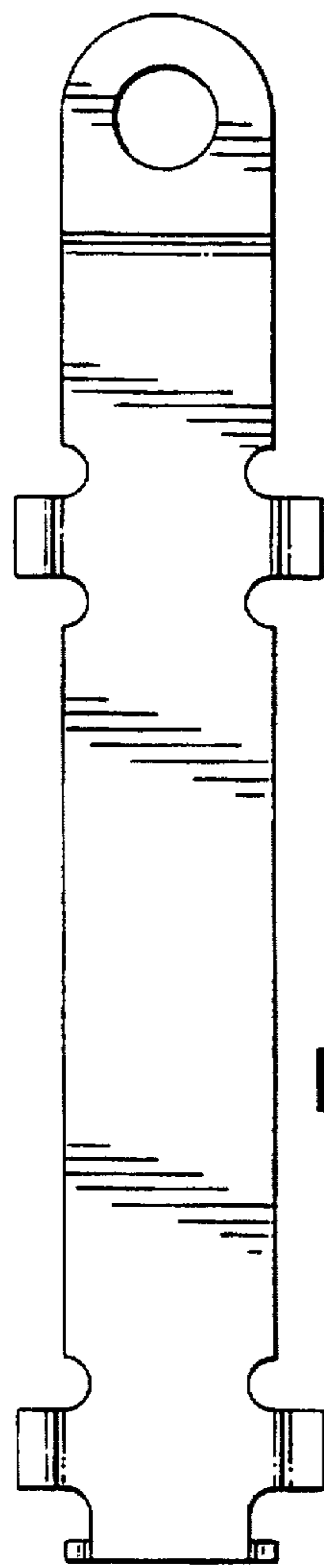


FIG. 2

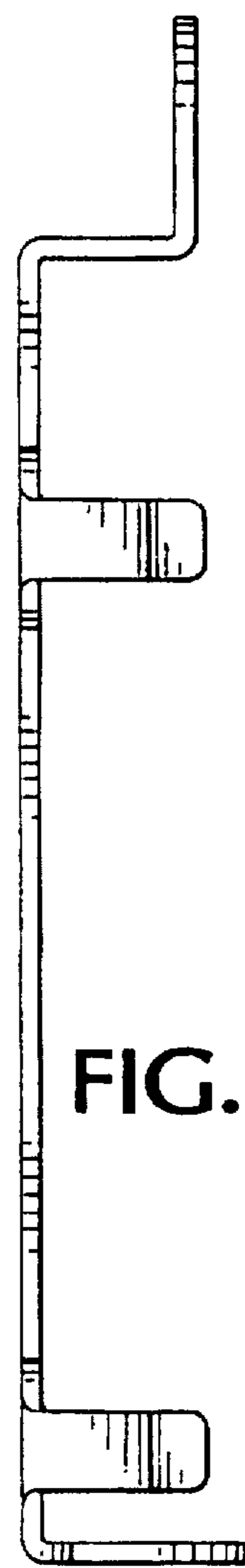


FIG. 3

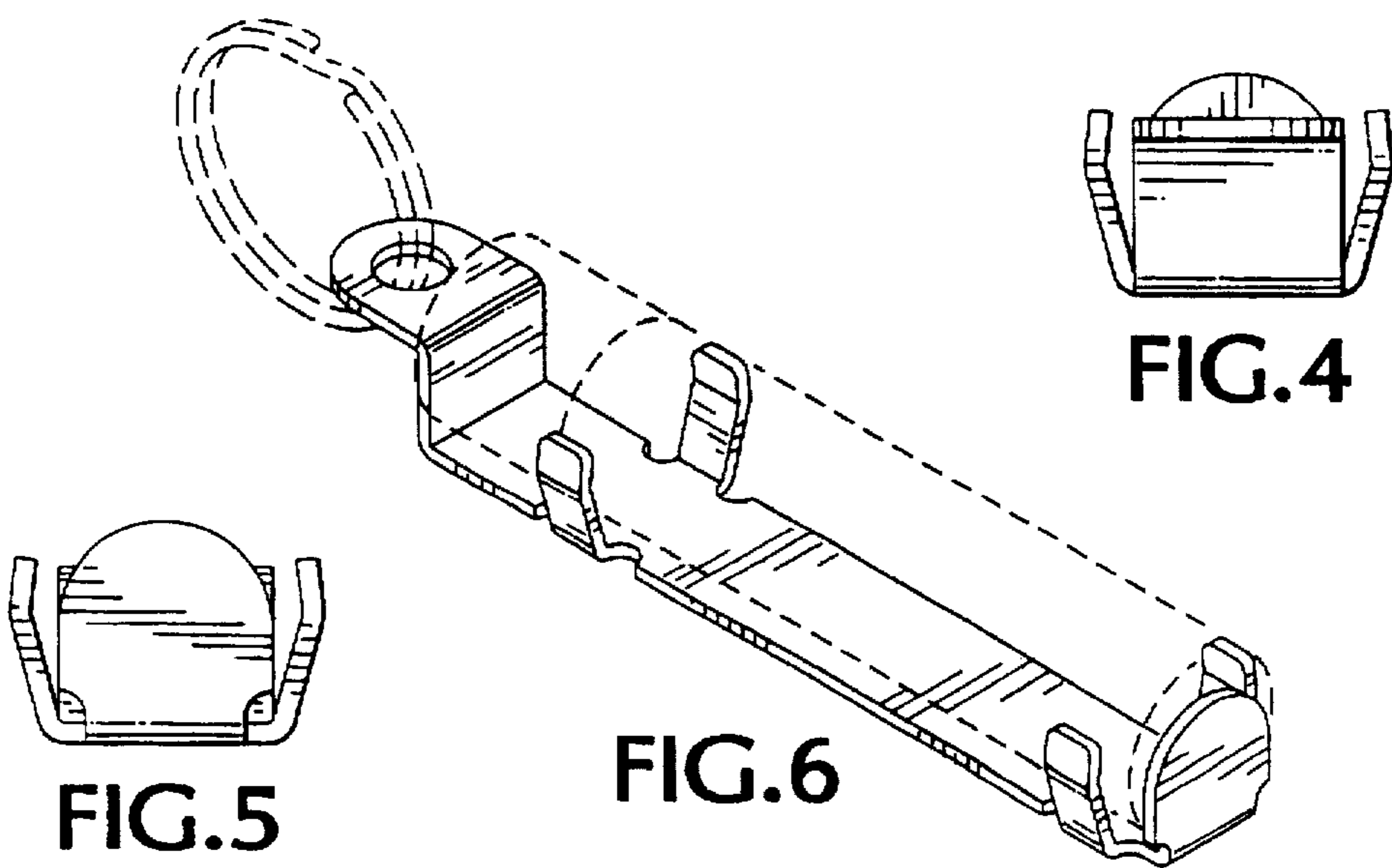


FIG. 4

FIG. 5

FIG. 6