



US00D392085S

United States Patent [19]

[11] Patent Number: **Des. 392,085**

Head et al.

[45] Date of Patent: ****Mar. 17, 1998**

[54] **REAR SAGGING DOUBLE PANTS WITH POUCH**

2,112,893	4/1938	Harwood	450/95
2,411,922	12/1946	Keohane	2/227
4,604,761	8/1986	Wright	2/227

[76] Inventors: **James Head**, 1627 D. St., Apt. 1, Hayward, Calif. 94541; **Thurston Bilal**, 6253 Hollywood Blvd., #914, Hollywood, Calif. 90026; **Robert Lee Rodgers**, 37053 Cherry Ct., RLR 208E, Newark, Calif. 94560

OTHER PUBLICATIONS

Lands' End: Jul. 1897; p. 96—Jeans on left of page.

Primary Examiner—Louis S. Zarfes
Attorney, Agent, or Firm—The Kline Law Firm

[**] Term: **14 Years**

[57] CLAIM

[21] Appl. No.: **46,557**

The ornamental design for rear sagging double pants with pouch, as shown and described.

[22] Filed: **Sep. 29, 1995**

DESCRIPTION

Related U.S. Application Data

[63] Continuation-in-part of Ser. No. 23,935, Jun. 3, 1994.

FIG. 1 is a perspective view of the pants of the present invention;
FIG. 2 is a left side view of the pants of the present invention;
FIG. 3 is a right side view of the pants of the present invention;
FIG. 4 is a rear view of the pants of the present invention;
FIG. 5 is a front view of the pants of the present invention;
FIG. 6 is a top side view of the pants of the present invention; and,
FIG. 7 a bottom side view of the pants of the present invention.

[51] LOC (6) Cl. **02-02**

[52] U.S. Cl. **D2/742**

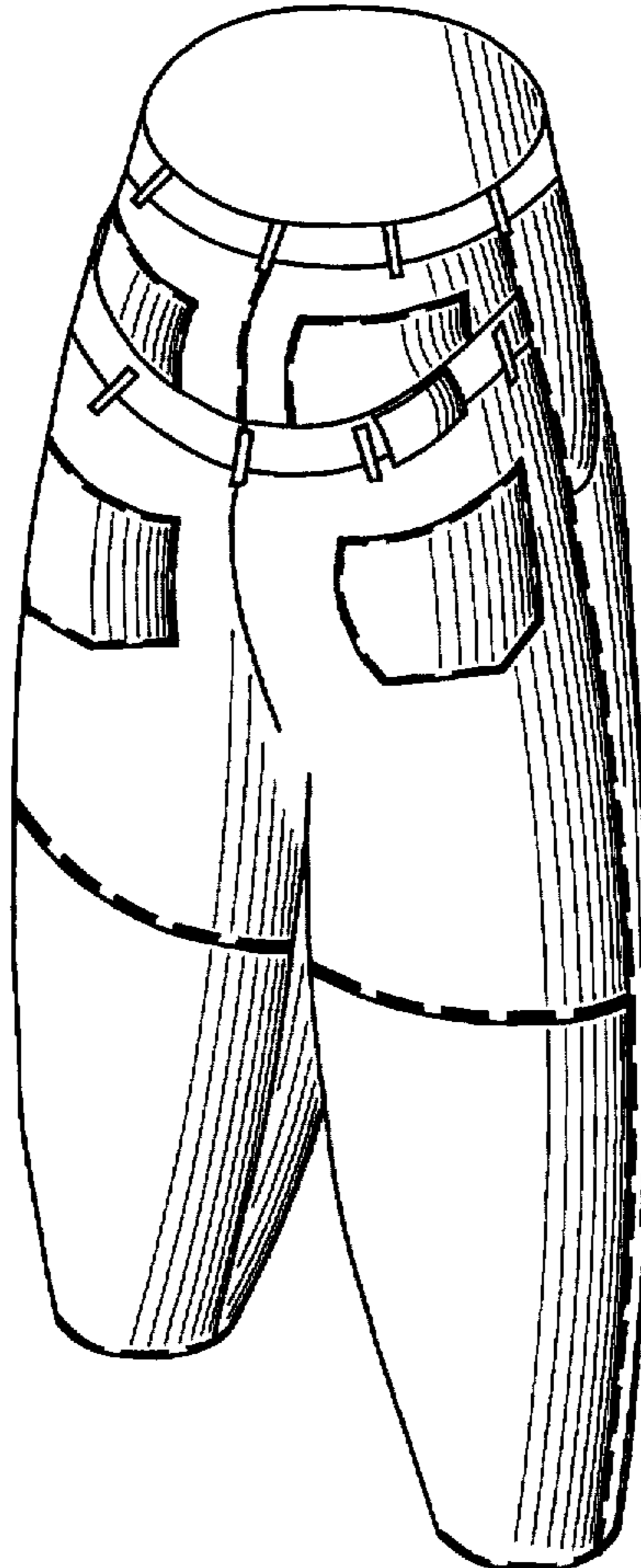
[58] Field of Search **D2/742; 2/227**

[56] References Cited

U.S. PATENT DOCUMENTS

D. 140,465	2/1945	Kotzin	D2/742
1,871,086	8/1932	Rutledge	2/78.2
1,996,536	4/1935	Berger	2/78.2

1 Claim, 7 Drawing Sheets



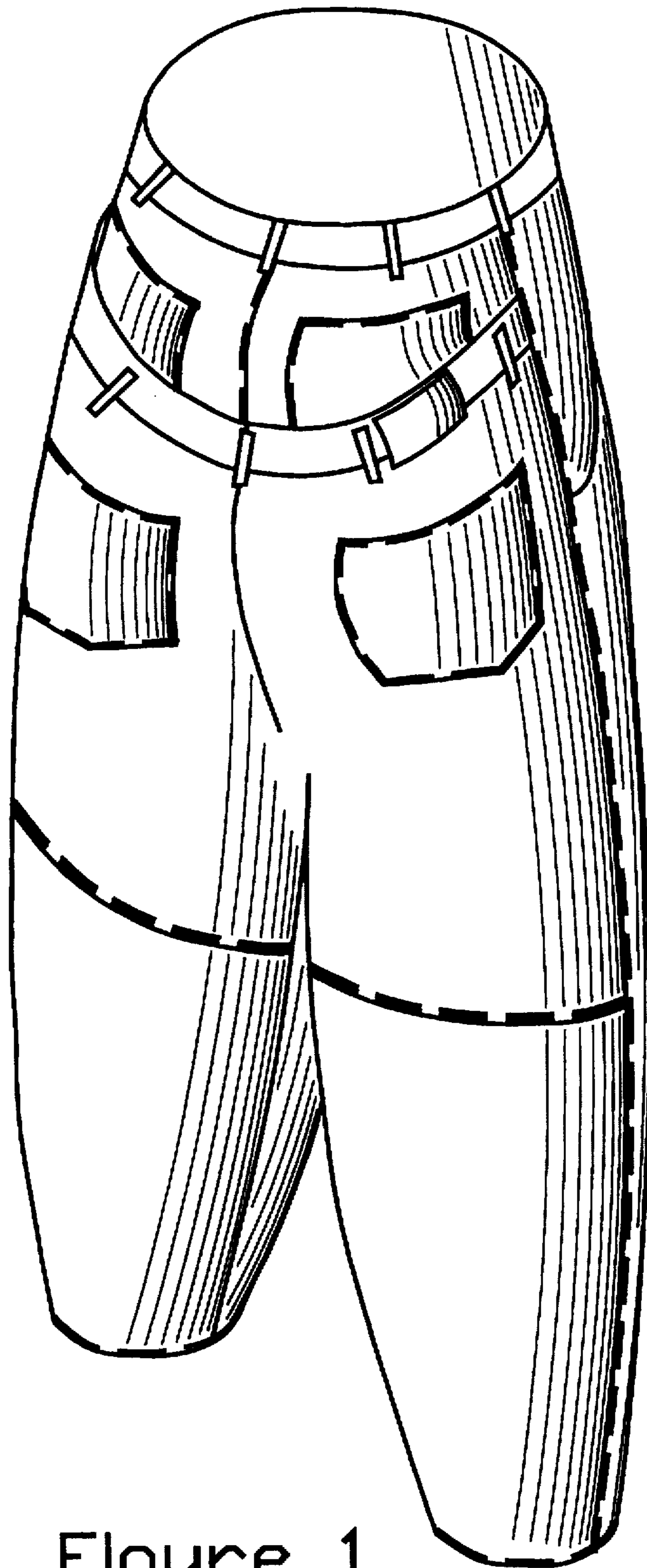


Figure 1

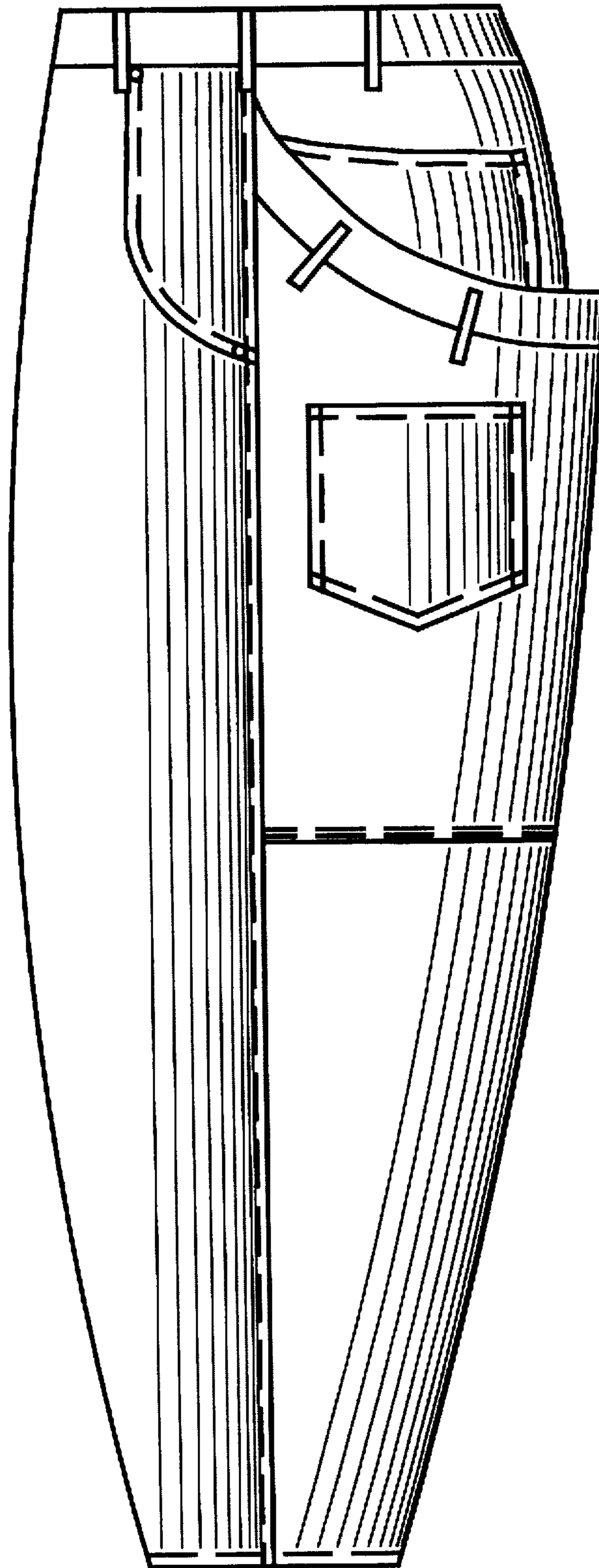


Figure 2

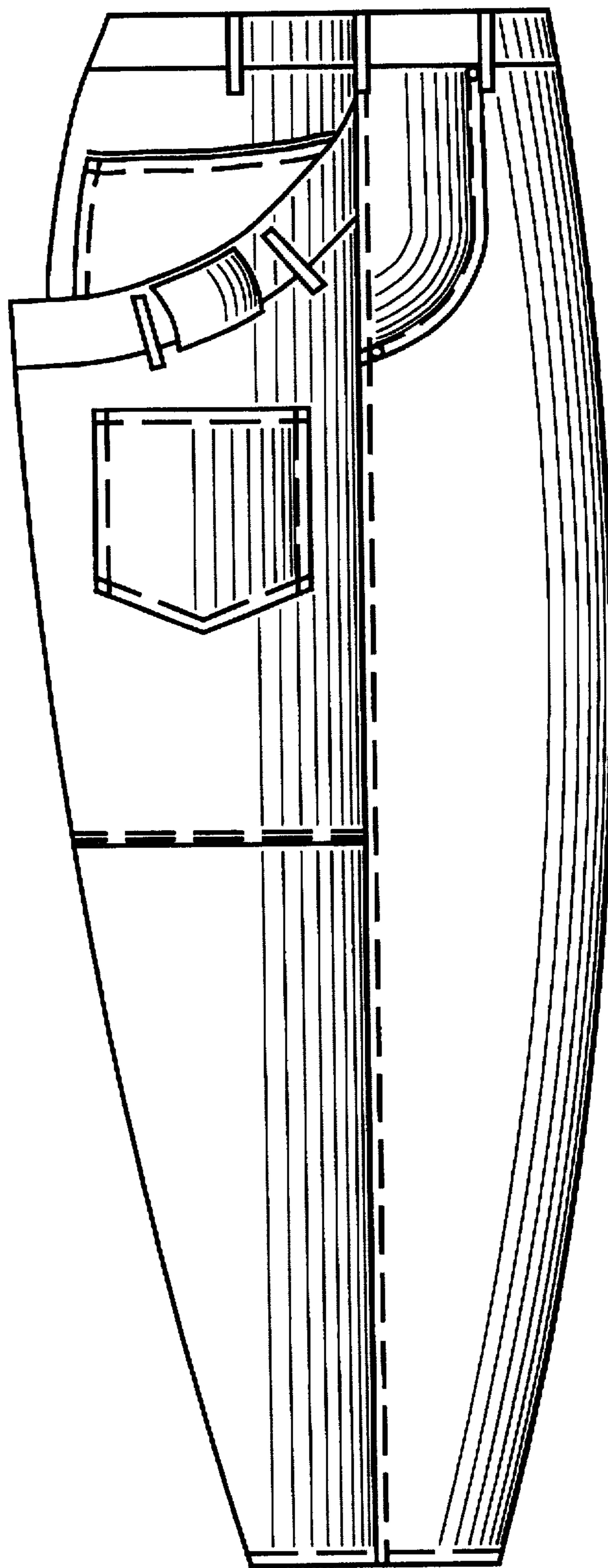


Figure 3

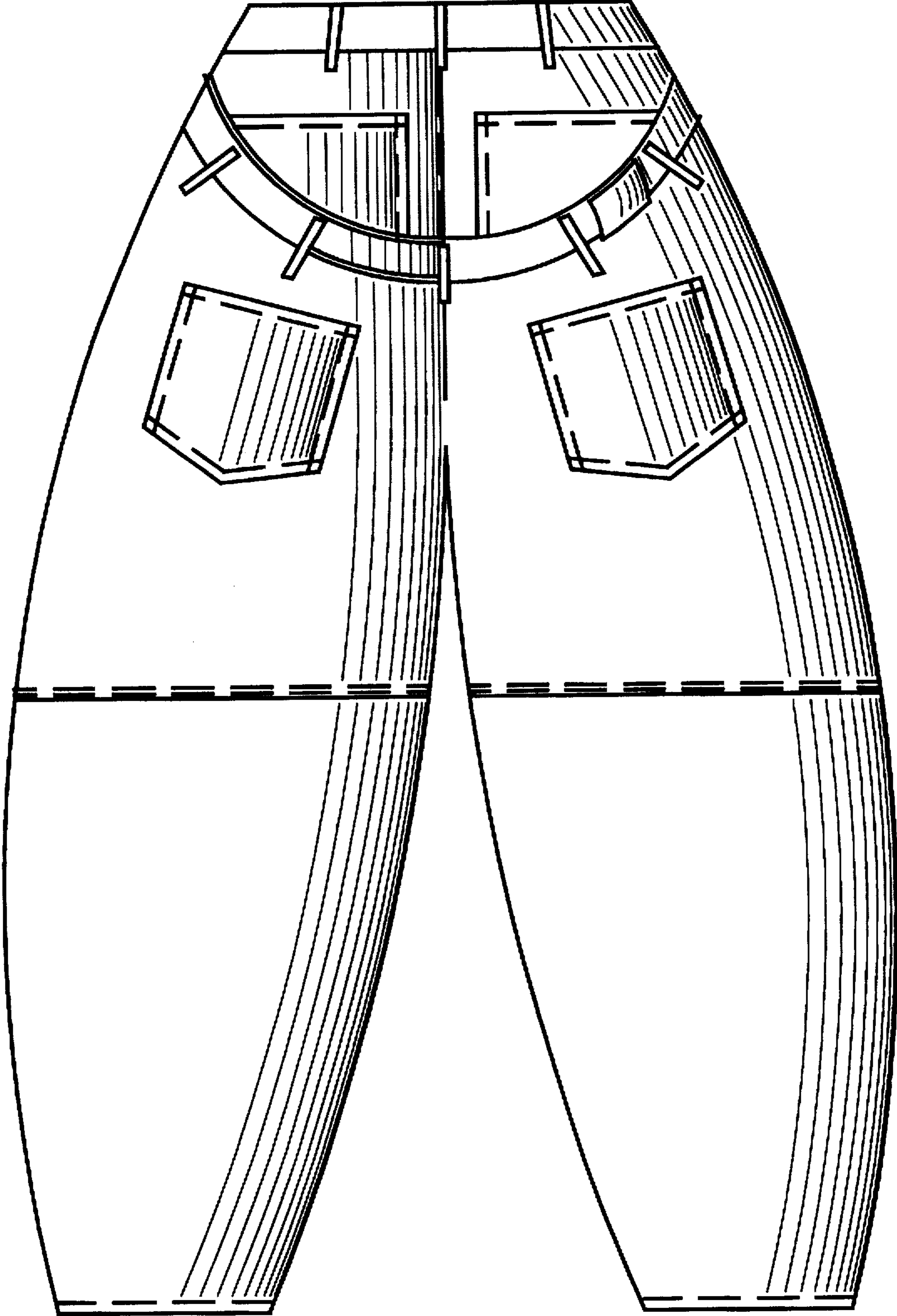


Figure 4

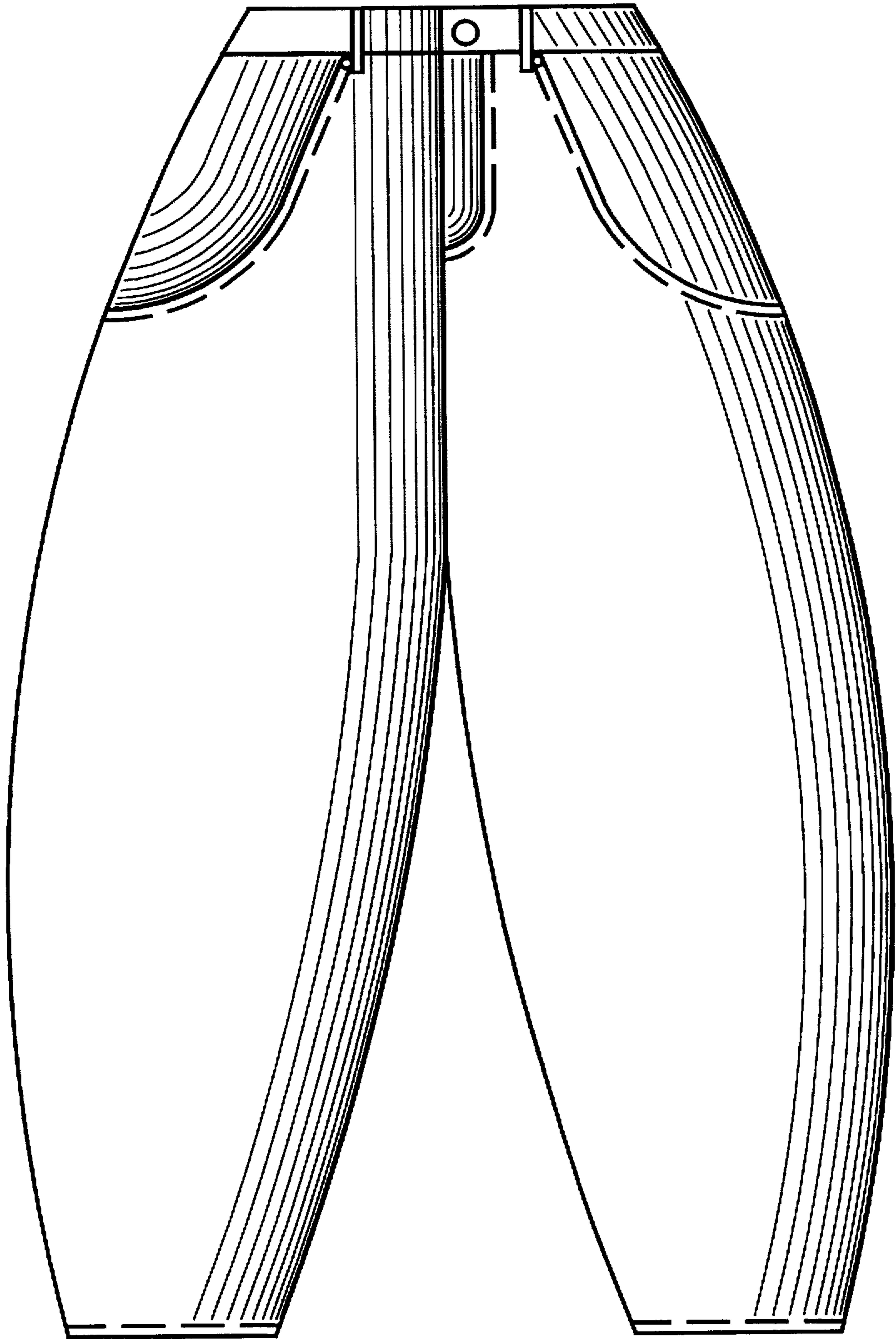


Figure 5

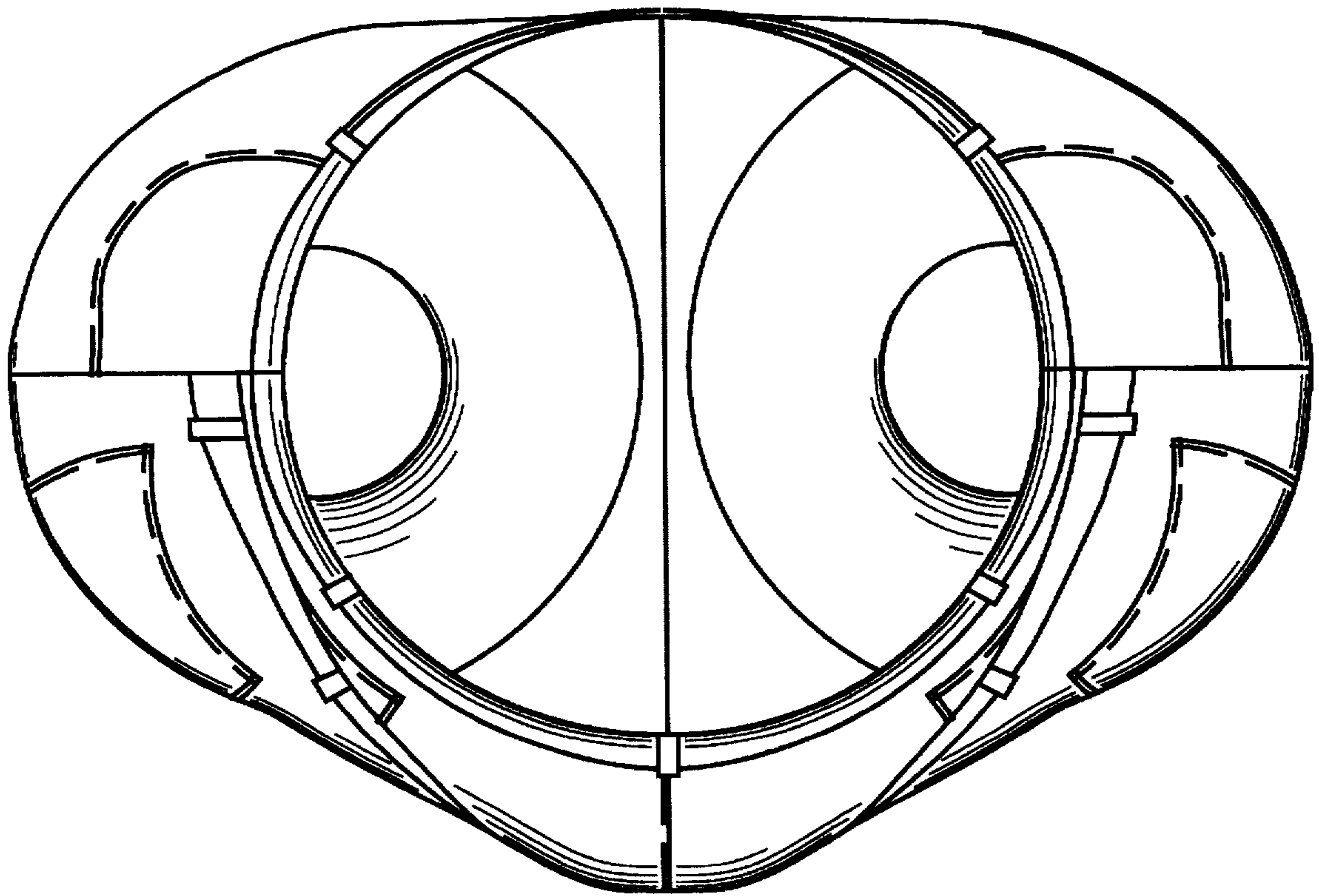


Figure 6

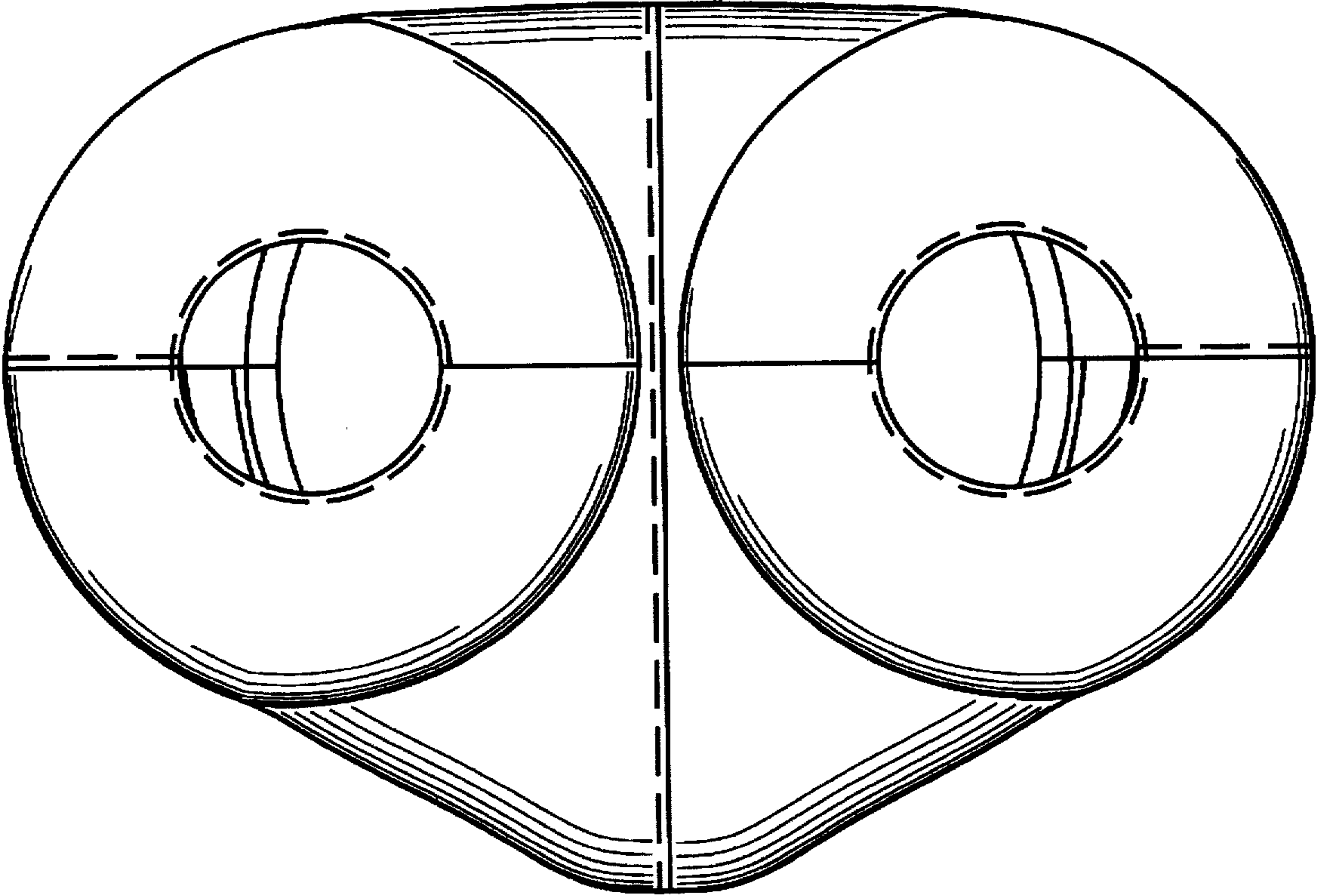


Figure 7