



US00D392083S

United States Patent [19]

[11] Patent Number: **Des. 392,083**

Wu

[45] Date of Patent: ****Mar. 10, 1998**

[54] **GOLF CART HANDLEBAR**

[76] Inventor: **Ching-Chang Wu**, No. 35-1, Jih Hsin Street, Tu Cheng Hsiang, Taipei Hsien, Taiwan

[**] Term: **14 Years**

[21] Appl. No.: **61,639**

[22] Filed: **Oct. 28, 1996**

[51] LOC (6) Cl. **12-02**

[52] U.S. Cl. **D34/27**

[58] Field of Search D34/12-27; 74/551.6, 74/551.9, 551.3; D12/174, 178; 294/57; 280/646, DIG. 5, DIG. 6; D8/DIG. 7, 10, 11

[56] **References Cited**

U.S. PATENT DOCUMENTS

- D. 194,834 3/1963 Parker et al. D34/15 X
- D. 208,997 10/1967 Anderson et al. .
- D. 330,961 11/1992 Monneret D34/27

- D. 331,652 12/1992 Wu D12/178 X
- D. 347,719 6/1994 Machen et al. D34/15
- 5,007,301 4/1991 Powell 74/551.1 X
- 5,201,540 4/1993 Wu 280/646
- 5,533,768 7/1996 Mitchell 294/57 X

Primary Examiner—Susan J. Lucas
Assistant Examiner—Cynthia E. Ramirez
Attorney, Agent, or Firm—Varndell Legal Group

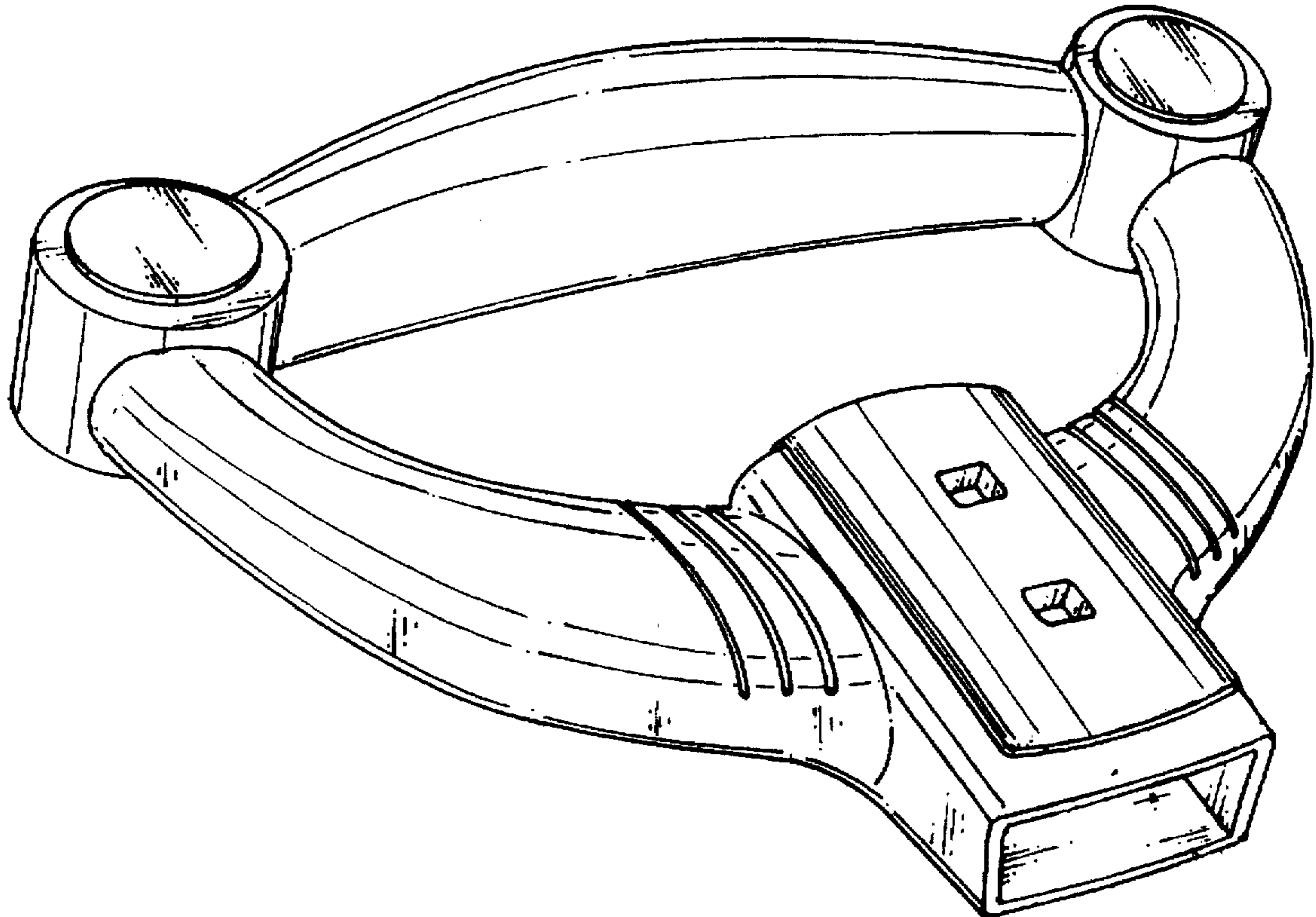
[57] **CLAIM**

The ornamental design for golf cart handlebar, as shown and described.

DESCRIPTION

FIG. 1 is a perspective view of a golf cart handlebar showing my new design;
FIG. 2 is a front elevational view thereof;
FIG. 3 is a rear elevational view thereof;
FIG. 4 is a top plan view thereof;
FIG. 5 is a bottom plan view thereof; and,
FIG. 6 is a side elevational view thereof, the opposite being a mirror image of that shown.

1 Claim, 6 Drawing Sheets



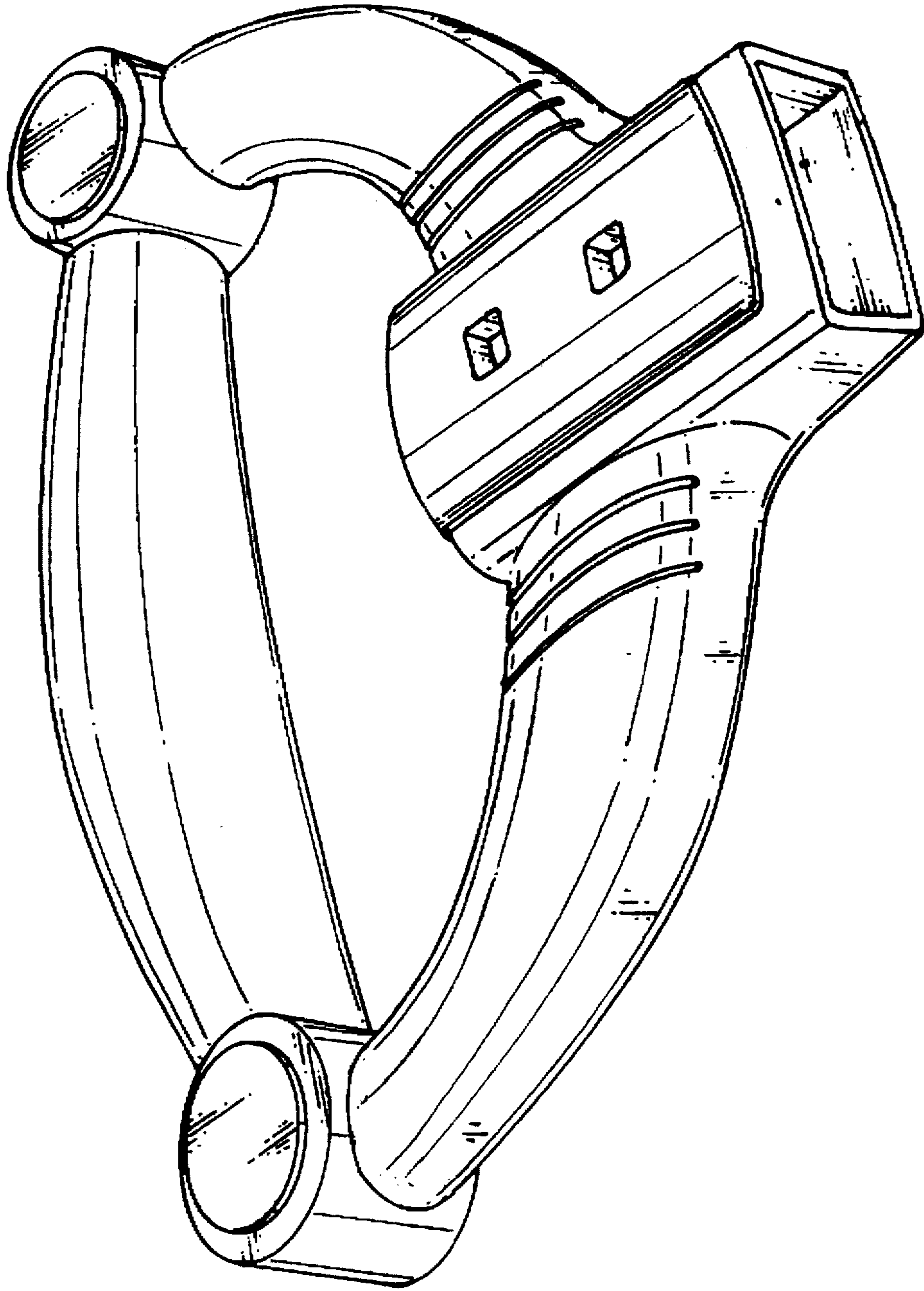


Fig. 1

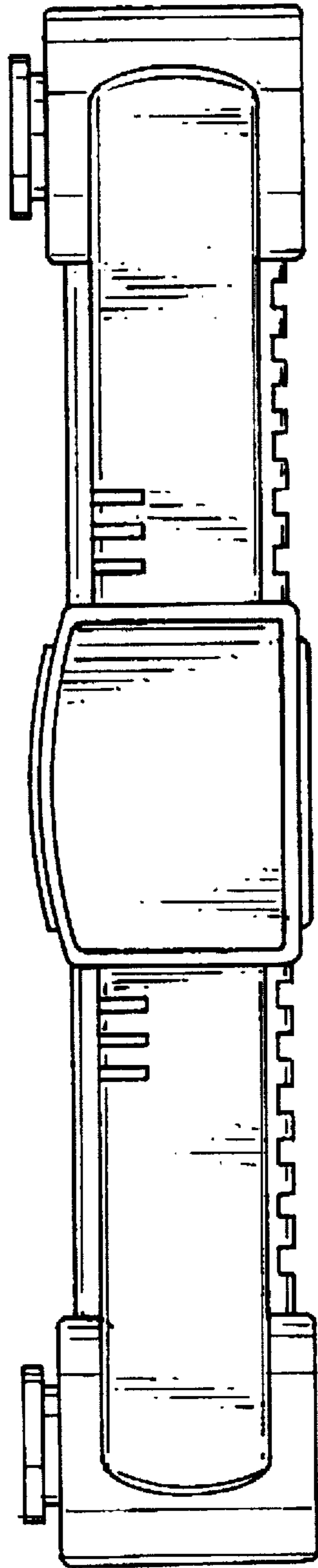


Fig. 2

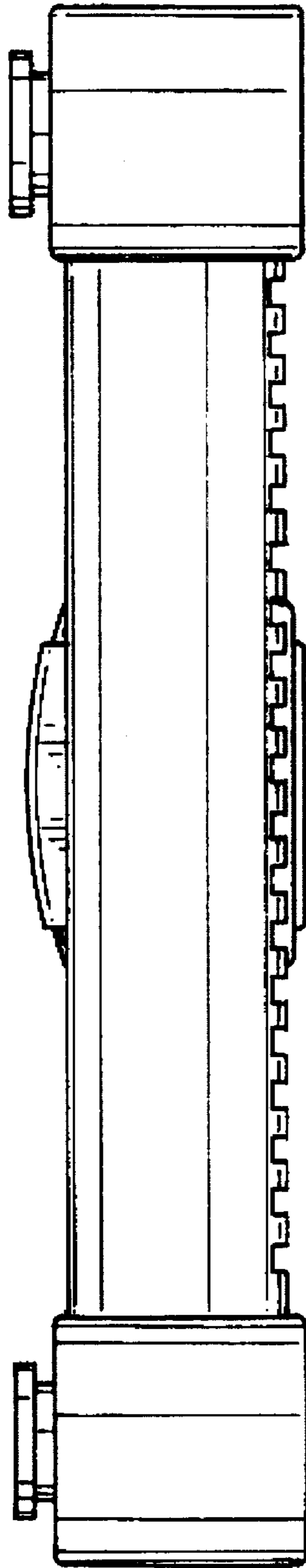


Fig. 3

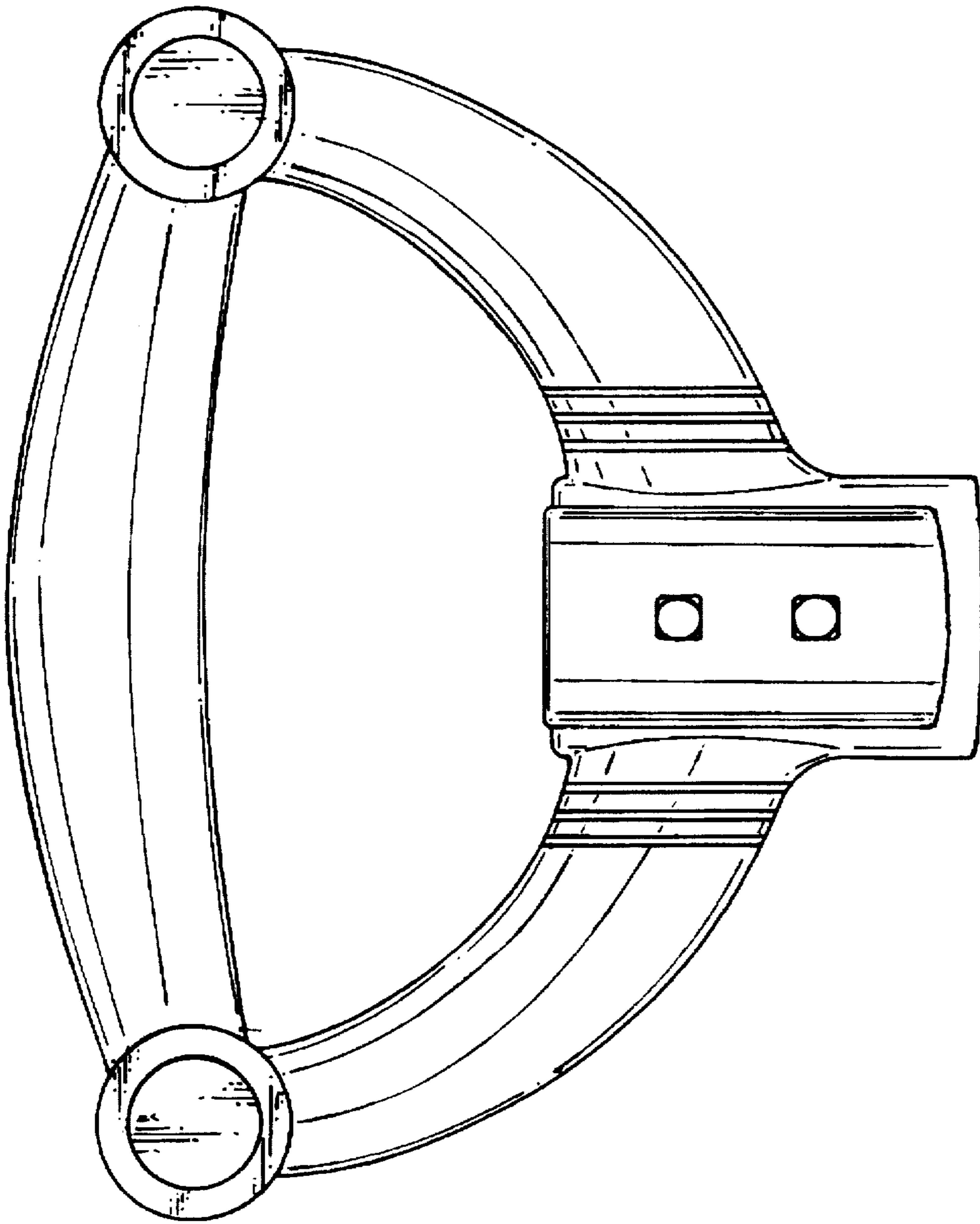


Fig. 4

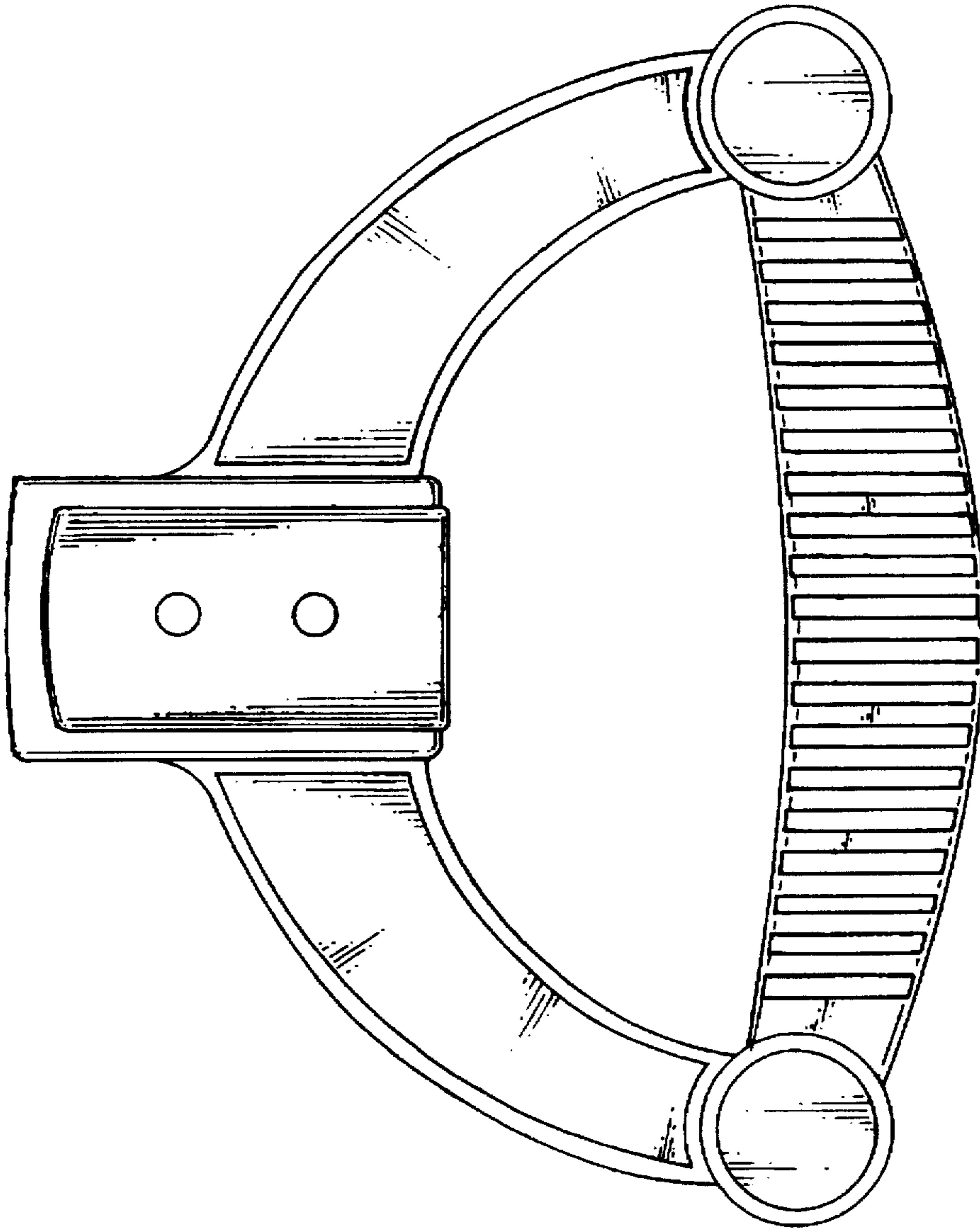


Fig. 5

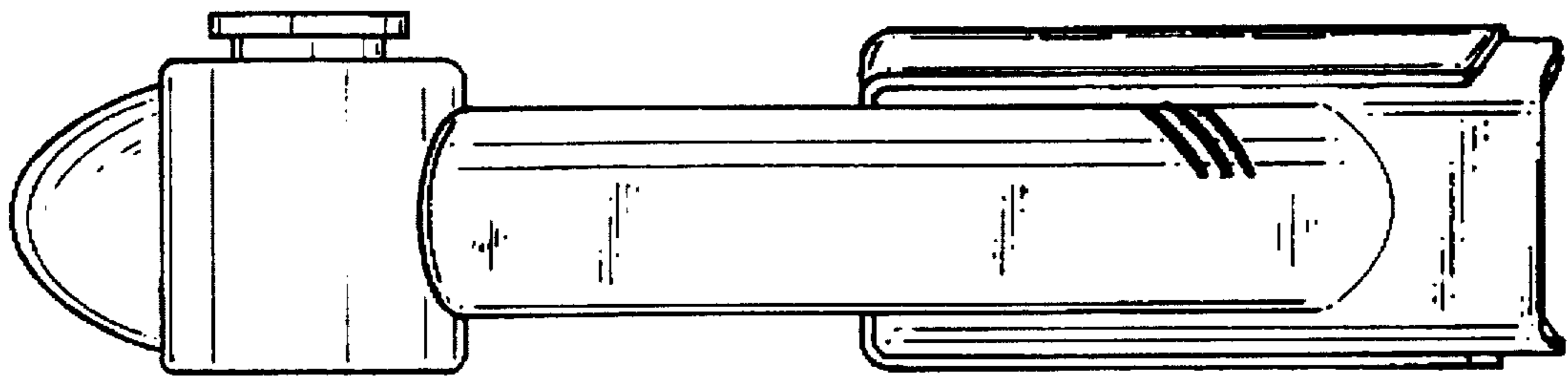


Fig. 6