



US00D392081S

United States Patent [19]

Salvucci, Sr.

[11] Patent Number: **Des. 392,081**

[45] Date of Patent: ****Mar. 10, 1998**

[54] **CART ADAPTER FOR SMALL CYLINDER**

[75] Inventor: **Frank S. Salvucci, Sr.**, 2300 Haggin Oaks Blvd., Bakersfield, Calif. 93311

[73] Assignee: **Frank S. Salvucci, Sr.**, Delano, Calif.

[**] Term: **14 Years**

[21] Appl. No.: **60,978**

[22] Filed: **Oct. 15, 1996**

[51] LOC (6) Cl. **12-02**

[52] U.S. Cl. **D34/27; 248/311.2; D3/316**

[58] Field of Search **D34/12-27; 280/47.19, 280/47.26, 47.23, 47.33, 47.27, 47.24, 79.6; 137/382; 248/311.2, 79; D3/316; D8/396**

[56] **References Cited**

U.S. PATENT DOCUMENTS

D. 154,191	6/1949	Smith	D34/14 X
D. 174,418	4/1955	Ewing et al.	D34/24
D. 269,472	6/1983	Avis	D34/15
D. 319,383	8/1991	Kihlstrom	D8/396 X
D. 340,787	10/1993	Laursen	D34/15
4,253,716	3/1981	Turner Jr.	248/79 X

4,557,452	12/1985	Khuong	248/311.2 X
4,634,089	1/1987	Wright et al.	248/311.2
5,071,148	12/1991	Salvucci, Sr.	280/47.24
5,361,950	11/1994	Signal et al.	248/311.2 X

Primary Examiner—Susan J. Lucas
Assistant Examiner—Cynthia E. Ramirez
Attorney, Agent, or Firm—A. M. Fernandez

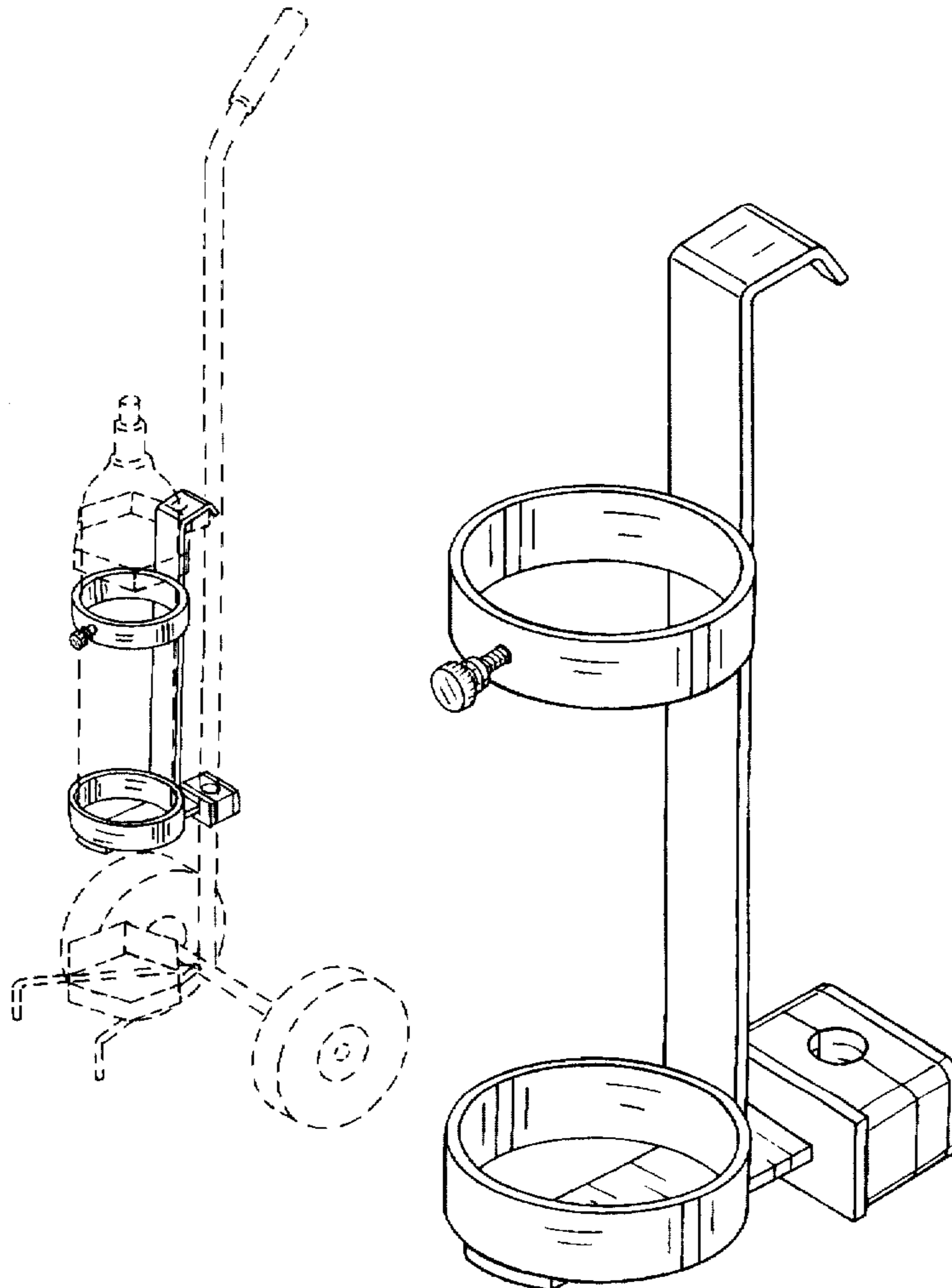
[57] **CLAIM**

The ornamental design for a cart adapter for small cylinder, as shown and described.

DESCRIPTION

FIG. 1 is a perspective view of a cart adapter for a small cylinder showing my new design; FIG. 2 is a view thereof to a larger scale for clarity; FIG. 3 is a left side elevation view thereof, the right side elevation view being symmetrical; FIG. 4 is a rear elevation view thereof; and, FIG. 5 is a top plan view thereof, the bottom being plain and unornamented. The broken line showing of the cart in FIG. 1 is for illustrative purposes only and forms no part of the claimed design.

1 Claim, 2 Drawing Sheets



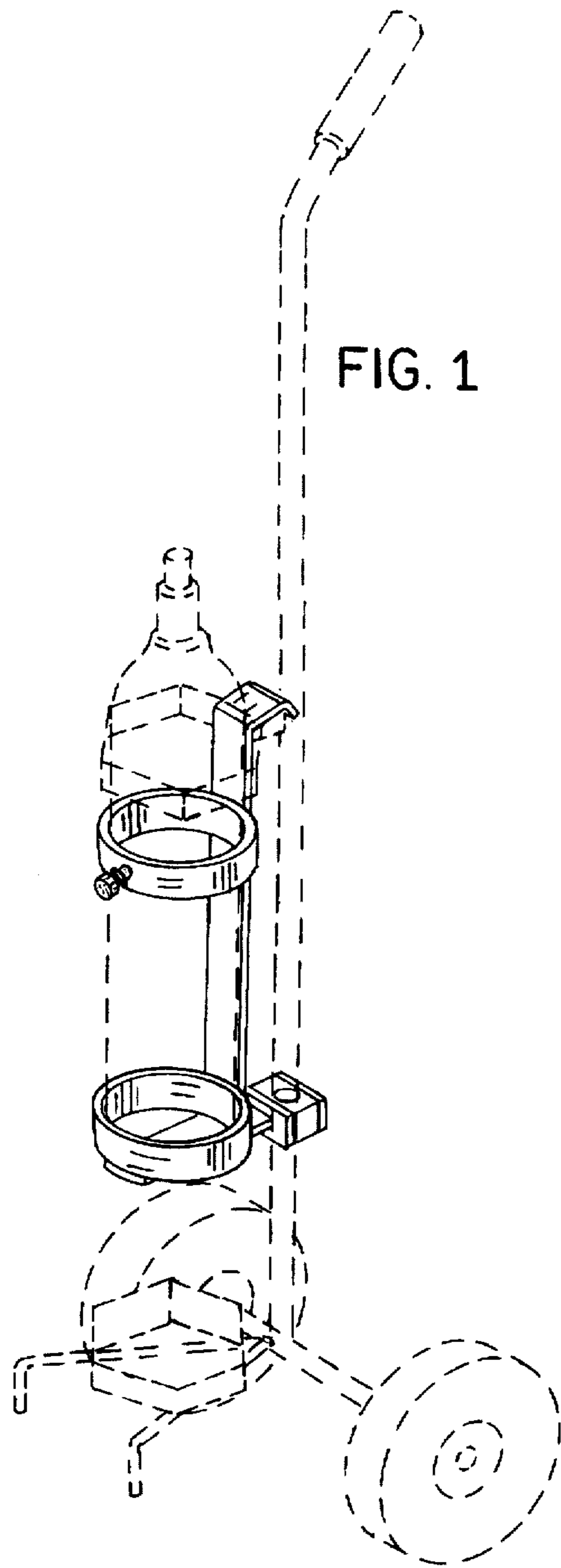


FIG. 1

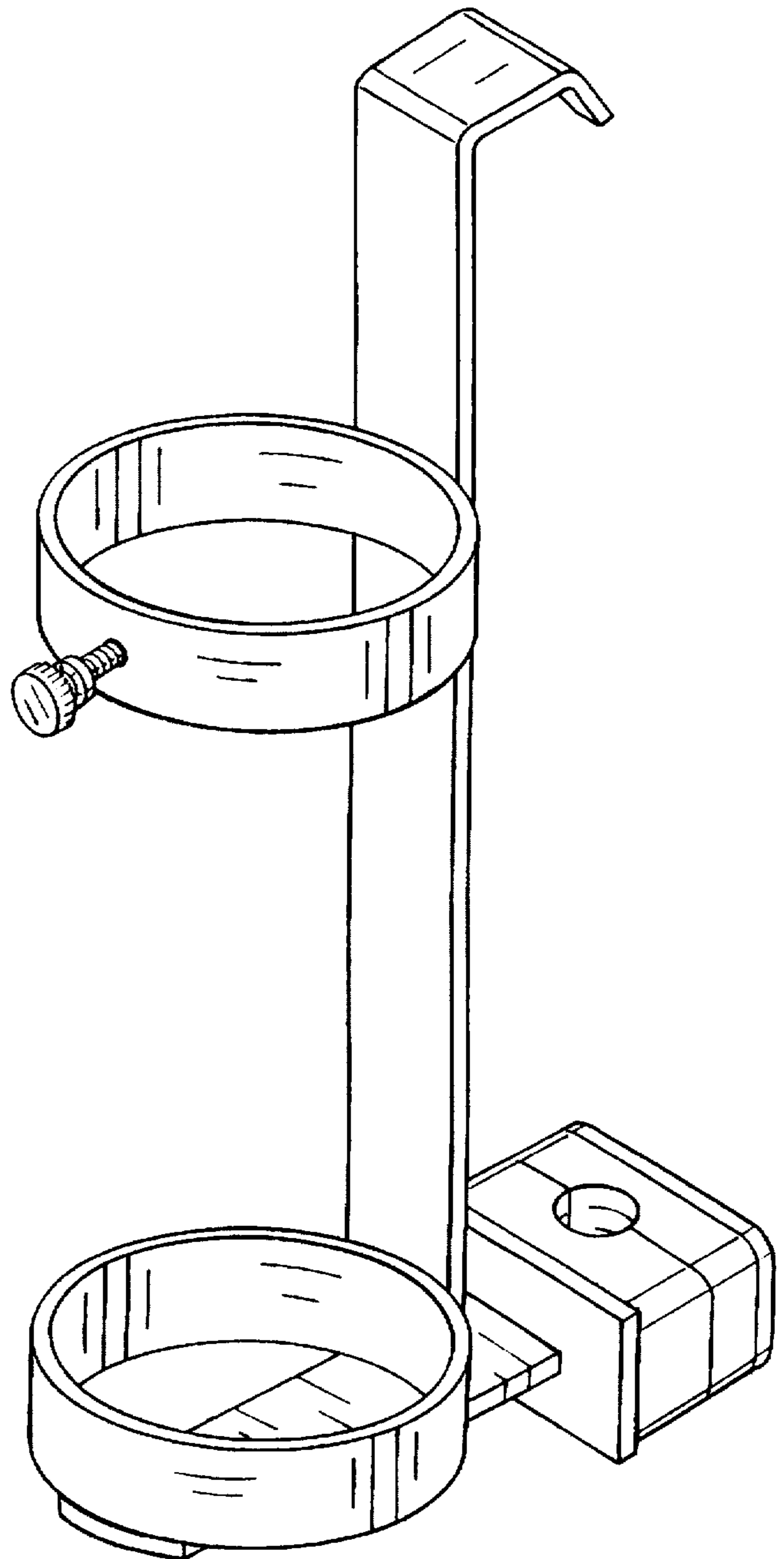


FIG. 2

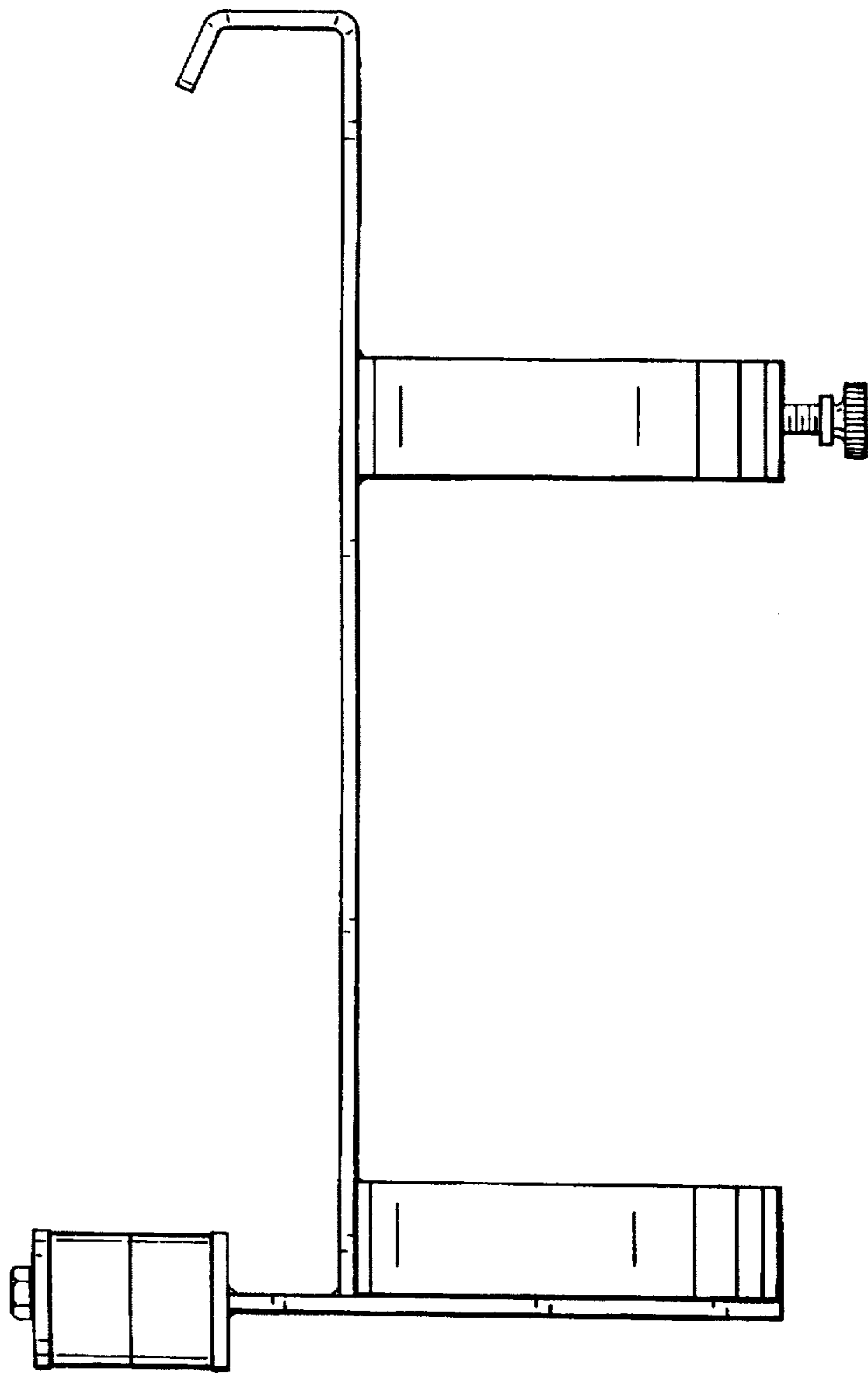


FIG. 3

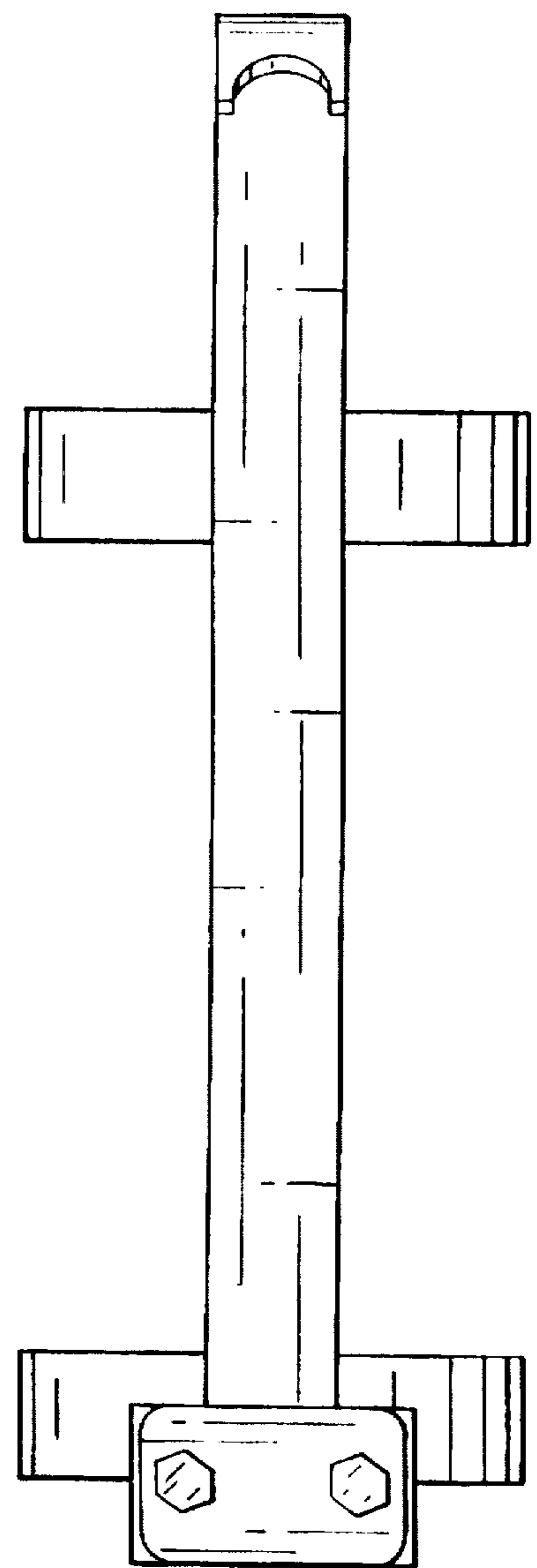


FIG. 4

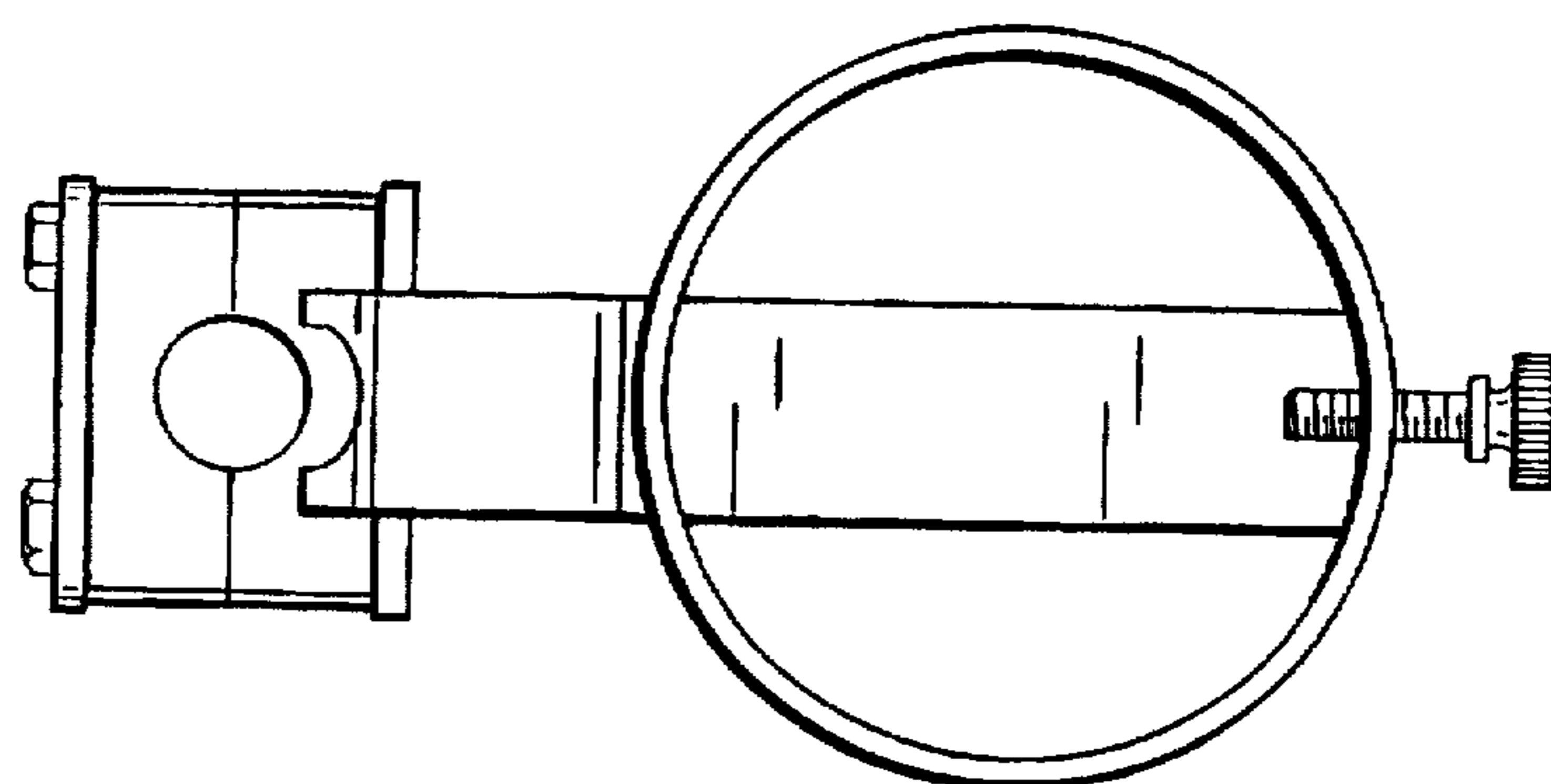


FIG. 5