



US00D392080S

United States Patent [19]

Tisbo et al.

[11] Patent Number: **Des. 392,080**

[45] Date of Patent: ****Mar. 10, 1998**

[54] **INDUSTRIAL HOSE CART**

[75] Inventors: **Thomas A. Tisbo**, Barrington Hills; **Stephen P. Whitehead**, Elgin; **Brian Moon**, Sycamore; **Mark P. Slaven**, Chicago; **Michael G. Uffner**, Naperville, all of Ill.

[73] Assignee: **Suncast Corporation**, Batavia, Ill.

[**] Term: **14 Years**

[21] Appl. No.: **51,213**

[22] Filed: **Mar. 5, 1996**

[51] LOC (6) Cl. **12-02**

[52] U.S. Cl. **D34/26**

[58] Field of Search **D8/359; D34/26; 137/355.26-355.27; 242/557, 596.7-596.8, 403.1, 395**

[56] **References Cited**

U.S. PATENT DOCUMENTS

Re. 32,510	9/1987	Tisbo et al.	137/355.27
177,367	5/1876	Bartlett .	
238,153	2/1881	Piper .	
D. 328,173	7/1992	Nelson	D8/359
D. 349,039	7/1994	Goodman et al.	D8/359
D. 352,149	11/1994	Nelson et al.	D8/359
D. 363,207	10/1995	Tisbo et al.	D8/359
706,968	8/1902	Mond .	
904,380	11/1908	Vader .	
1,001,383	8/1911	Geer et al. .	
1,227,466	5/1917	McDowell .	
1,441,157	1/1923	Krenke .	
1,901,660	3/1933	Lund .	
1,914,654	6/1933	Tomblom .	
2,023,611	12/1935	Neuman	74/230.5
2,089,547	8/1937	Folliot	299/79
2,095,653	10/1937	Tepel	248/343
2,155,769	4/1939	Porter	242/90
2,283,626	5/1942	Freydberg .	
2,312,528	3/1943	Davis	299/78
2,512,756	6/1950	Wasserman .	
2,608,360	8/1952	Cootware .	
2,609,231	9/1952	Crawford	299/53

2,659,546	11/1953	Rotter et al. .	
2,755,035	7/1956	Moulder .	
2,918,975	12/1959	Conery et al.	169/24
3,050,078	8/1962	Hooper	137/355.19
3,051,189	8/1962	Pro	137/242
3,110,453	11/1963	Becker et al. .	
3,139,192	6/1964	Maguire	211/135
3,144,041	8/1964	Werner et al.	137/355.12
3,388,716	6/1968	Wilson	137/355.22
3,407,836	10/1968	Keiser	137/344
3,433,247	3/1969	Haselden	137/355.26
3,522,888	8/1970	Grams et al.	211/132
3,625,450	12/1971	Lloyd .	
3,977,429	8/1976	Stevenson	137/355.27
3,995,487	12/1976	Locke	74/230
4,033,552	7/1977	Kuzarov	254/166
4,131,381	12/1978	Alberts	403/353

(List continued on next page.)

FOREIGN PATENT DOCUMENTS

133490	7/1949	Australia .	
2415596	9/1979	France .	
1361417	7/1974	United Kingdom	D02J 7/00
1378032	12/1974	United Kingdom	B65H 75/46

OTHER PUBLICATIONS

A Tidy Way To Reel In Profits. Brochure. Ames, Corp., Parkersburg, WV 26102 Aug. 1989.

Primary Examiner—Holly Baynham
Attorney, Agent, or Firm—Thomas W. Tolpin

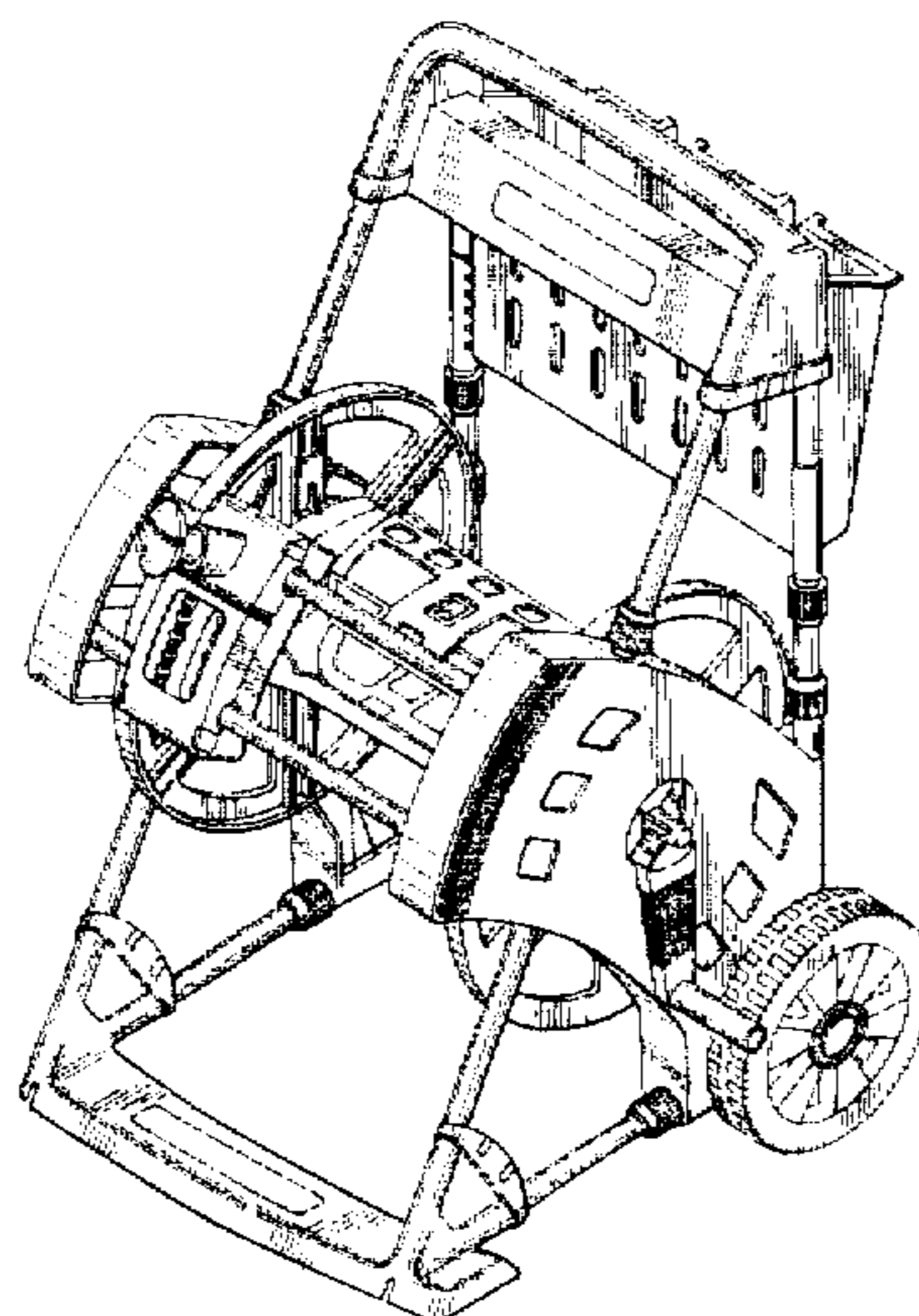
[57] **CLAIM**

The ornamental design for an industrial hose cart, as shown and described.

DESCRIPTION

FIG. 1 is a perspective view of the industrial hose cart; FIG. 2 is a front plane view thereof; FIG. 3 is a rear plane view thereof; FIG. 4 is a left side plane view thereof; FIG. 5 is a right plane view; and FIG. 6 is a top view; and, FIG. 7 is a bottom view.

1 Claim, 7 Drawing Sheets



U.S. PATENT DOCUMENTS

4,137,939	2/1979	Chow	137/355.16	4,700,737	10/1987	Nelson	137/355.27
4,224,960	9/1980	Nederman	137/355.23	4,768,546	9/1988	Brusadin et al.	137/355.27
4,272,037	6/1981	Becker et al.	242/118.1	4,777,976	10/1988	Johnston et al.	137/355
4,315,522	2/1982	Brown	137/355.17	4,913,580	4/1990	Whitehead	403/326
4,506,698	3/1985	Garcia et al.	137/355	4,947,627	8/1990	Nelson	137/355.27
4,512,361	4/1985	Tisbo et al.	137/355	5,007,598	4/1991	Spear et al. .	
4,537,215	8/1985	Roman	137/355.26	5,046,520	9/1991	Sanchez, Jr. et al.	137/355
4,586,676	5/1986	Johnston et al. .		5,056,553	10/1991	Whitehead et al.	137/355
				5,425,391	6/1995	Tisbo et al.	137/15

FIG. 1

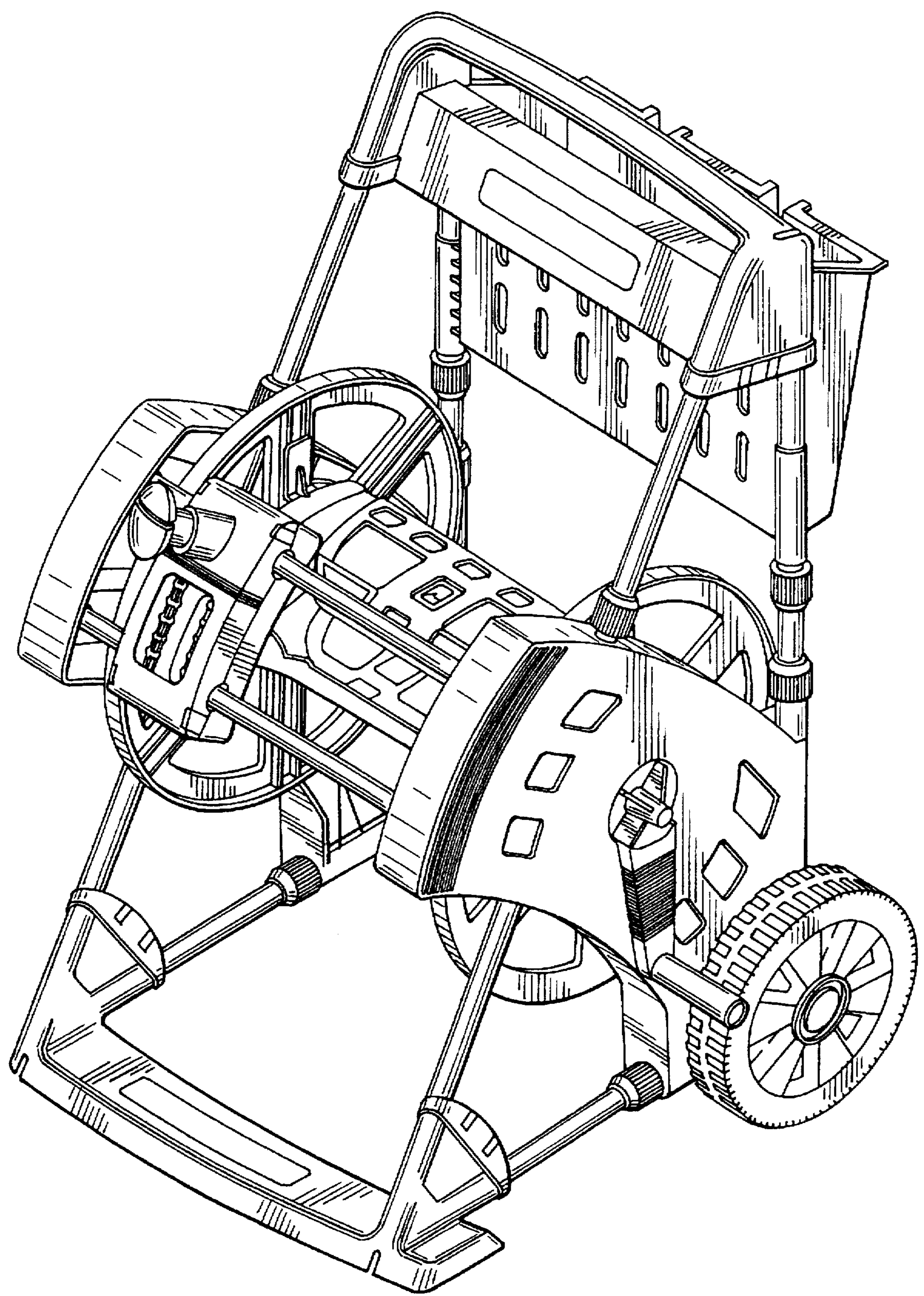


FIG.2

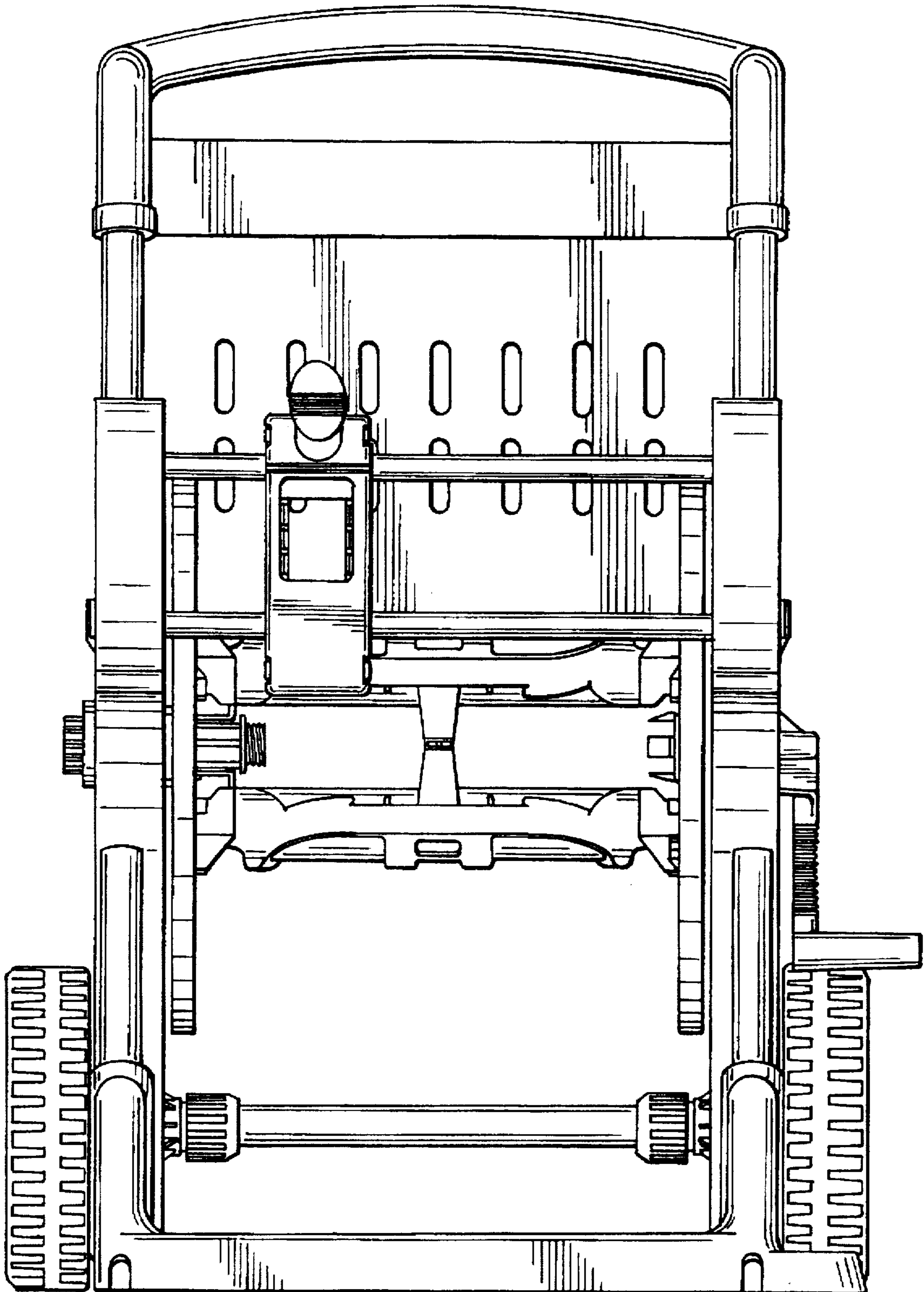


FIG. 3

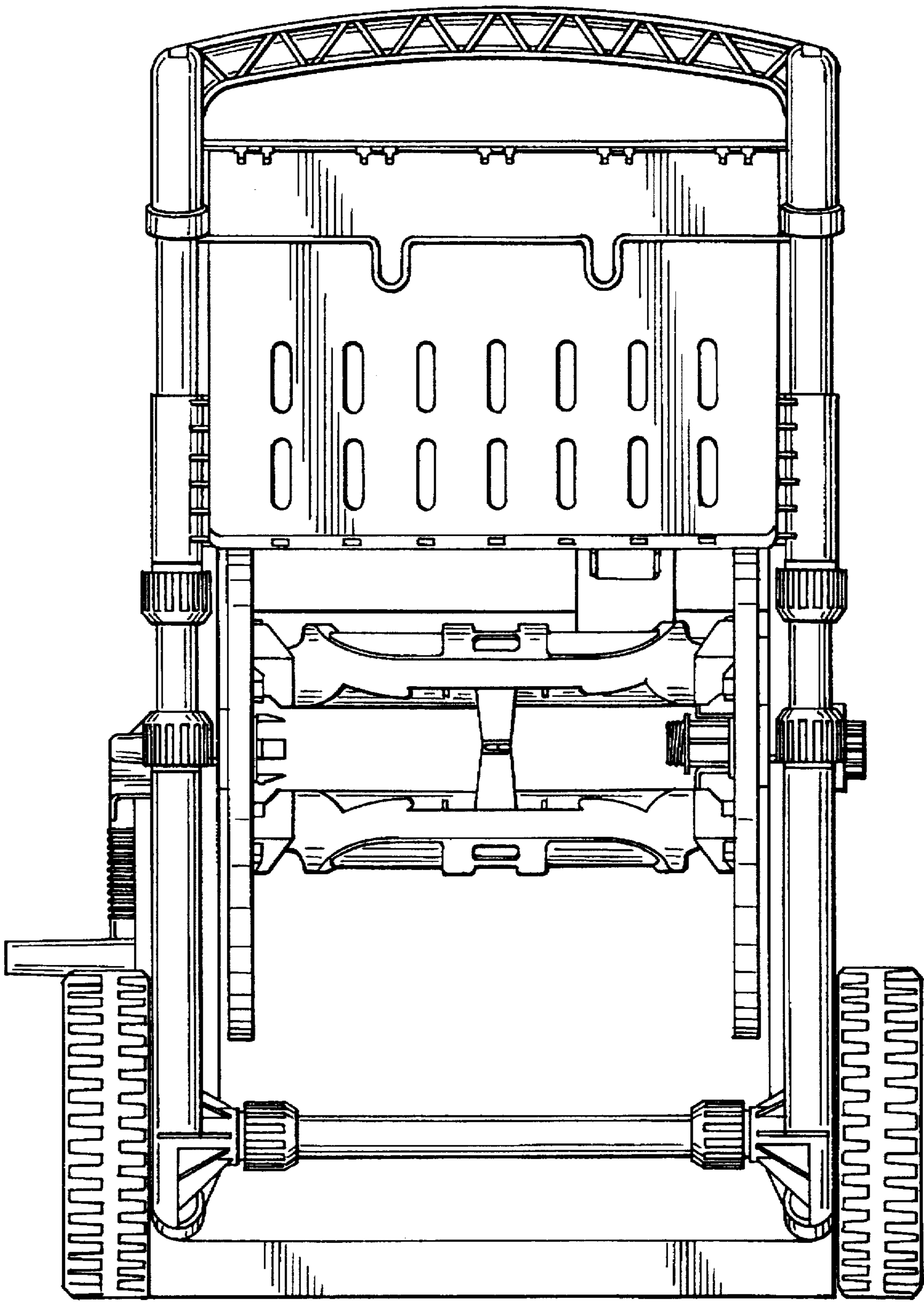


FIG. 4

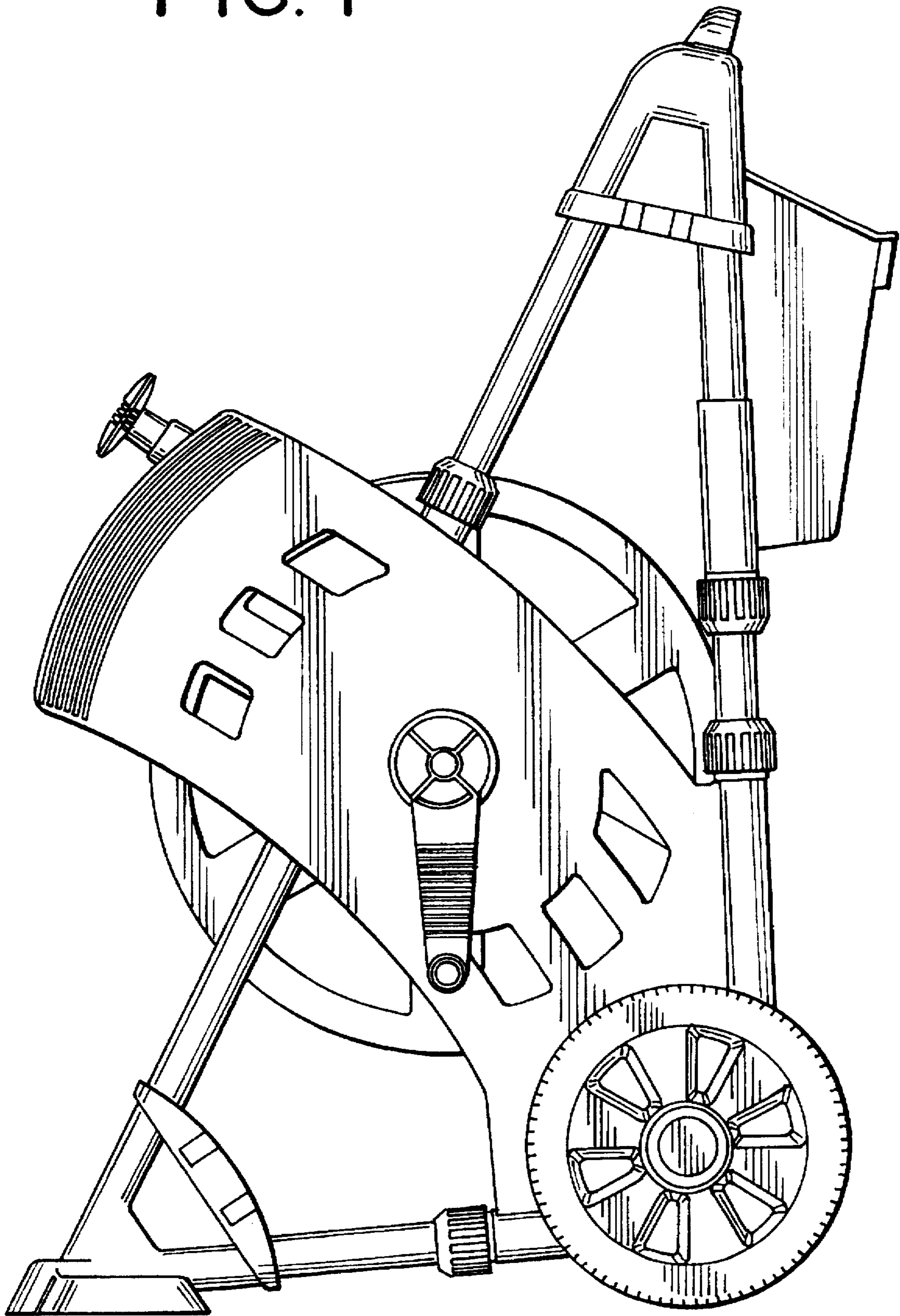


FIG. 5

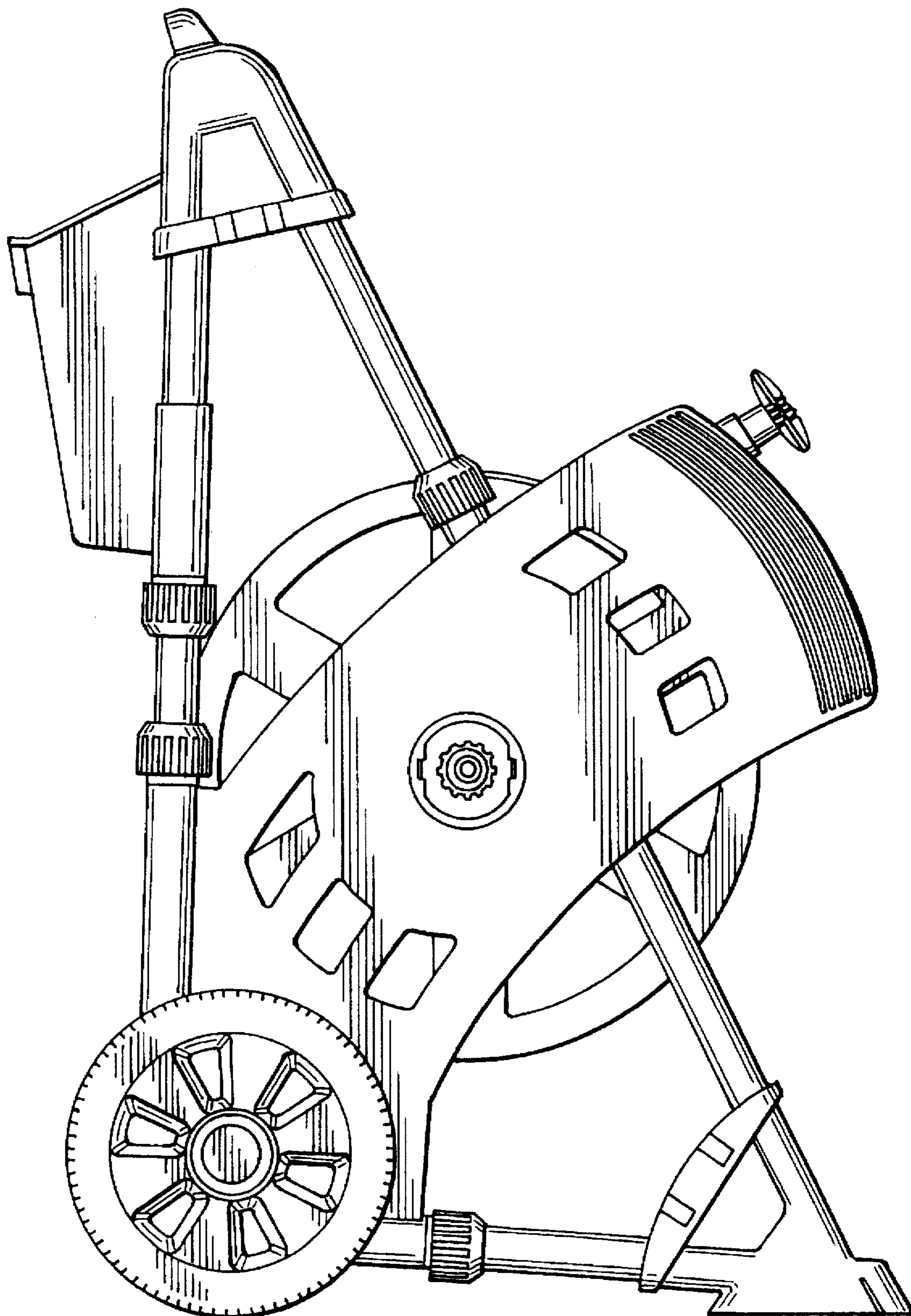


FIG. 6

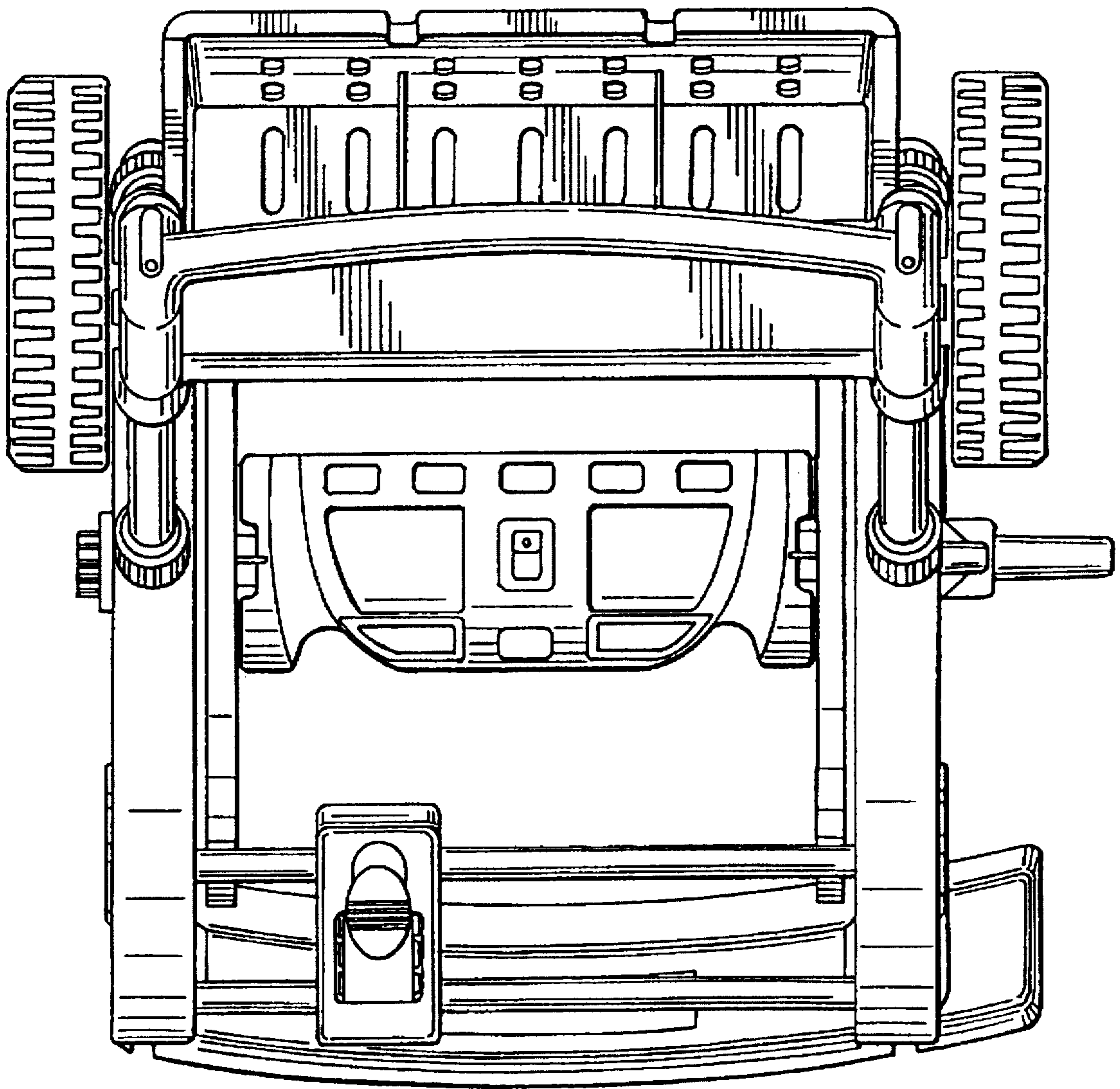


FIG. 7

