



US00D392076S

United States Patent [19] Goemans

[11] Patent Number: **Des. 392,076**
[45] Date of Patent: ****Mar. 10, 1998**

[54] **CAT LITTER BOX**
[75] Inventor: **Pieter Goemans**, Amstelveen,
Netherlands
[73] Assignee: **Unic Fleur B.V.**, Netherlands
[**] Term: **14 Years**

[21] Appl. No.: **57,318**
[22] Filed: **Jul. 23, 1996**
[30] **Foreign Application Priority Data**

Apr. 4, 1996 [XH] Hague Agreement DM/036090
Apr. 25, 1996 [XH] Hague Agreement DM/035305

[51] **LOC (6) Cl.** **30-99**
[52] **U.S. Cl.** **D30/161; D30/108**
[58] **Field of Search** **D30/108-109,**
D30/161, 118; 119/161, 165, 168, 484,
482, 485, 496-498, 500, 170, 417-419

[56] **References Cited**

U.S. PATENT DOCUMENTS

D. 353,029 11/1994 Northrop et al. D30/108
D. 366,543 1/1996 Lopes D30/108
D. 370,095 5/1996 Siler D30/161
2,079,458 5/1937 Leichtfuss 119/497
4,029,048 6/1977 Gershbein 119/165
4,299,190 11/1981 Rhodes 119/170
4,696,257 9/1987 Neary et al. 119/500
5,094,188 3/1992 Walak 119/168
5,174,241 12/1992 Goguen et al. 119/496
5,383,422 1/1995 Morris D30/108

5,429,800 7/1995 Miraldi et al. 119/418
5,471,950 12/1995 White 119/165
5,564,364 10/1996 Kovacs 119/165

FOREIGN PATENT DOCUMENTS

2618050 1/1989 France 119/168
87006805 11/1987 WIPO 119/497
8908387 7/1989 WIPO 119/168
94018822 9/1994 WIPO 119/498

OTHER PUBLICATIONS

Canine Castle Co. brochure; Squire #1500 Junior #1000,
King #3000; Feb. 1987.
Better Homes & Gardens Magazine; p. 66; Dog House by
Canine Castle 2000; Sep. 1973.

Primary Examiner—Cathy Anne MacCormac
Attorney, Agent, or Firm—Ladas & Parry

[57] **CLAIM**

The ornamental design for a cat litter box, as shown and
described.

DESCRIPTION

FIG. 1 is a perspective view of the cat litter box which is the
subject of the present design;
FIG. 2 is a right side elevation view thereof;
FIG. 3 is a rear view thereof;
FIG. 4 is a front elevation view thereof;
FIG. 5 is a left side elevation view thereof;
FIG. 6 is a top plan view thereof; and,
FIG. 7 is a bottom plan view thereof.

1 Claim, 7 Drawing Sheets

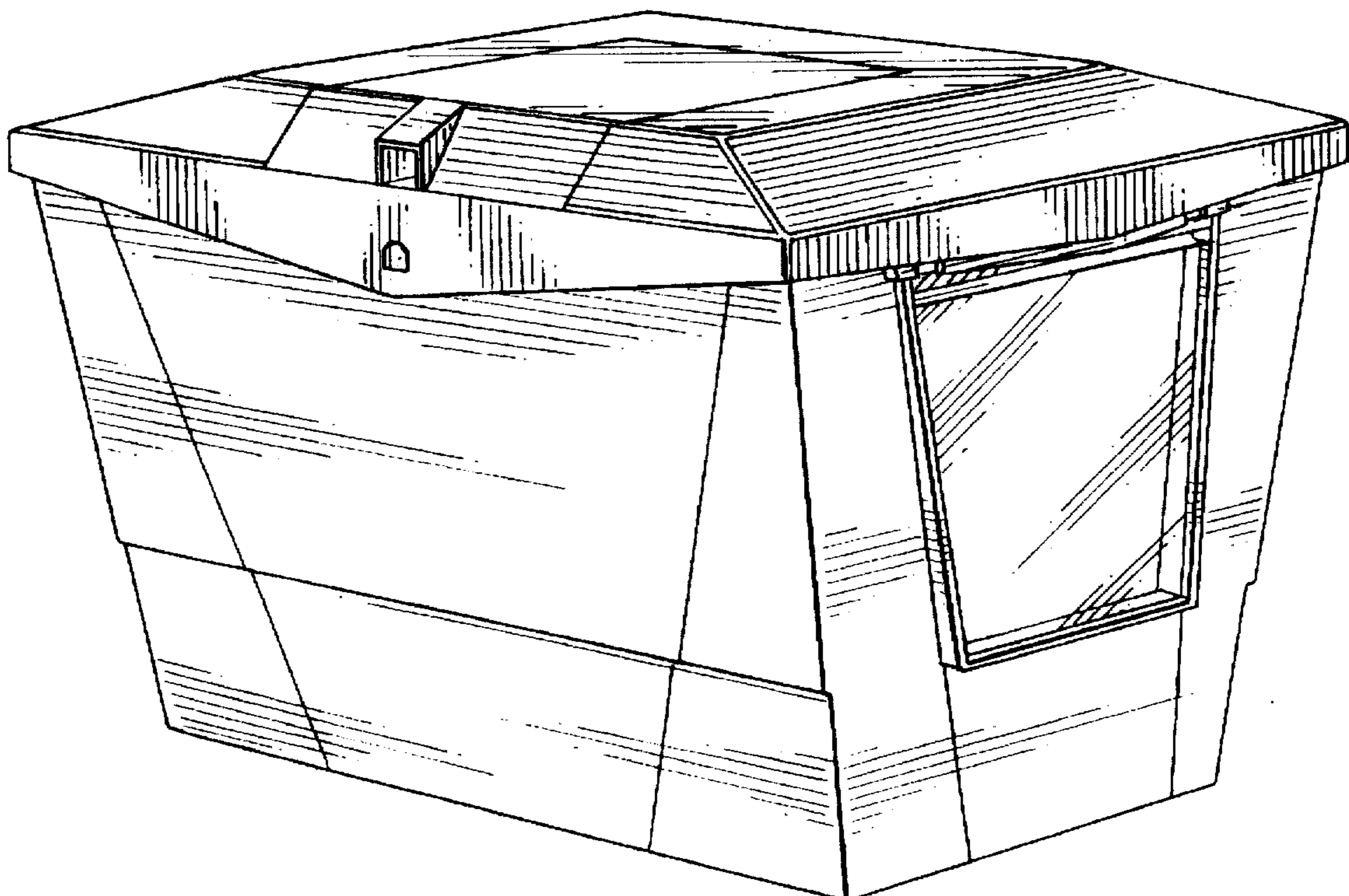


FIG. 1

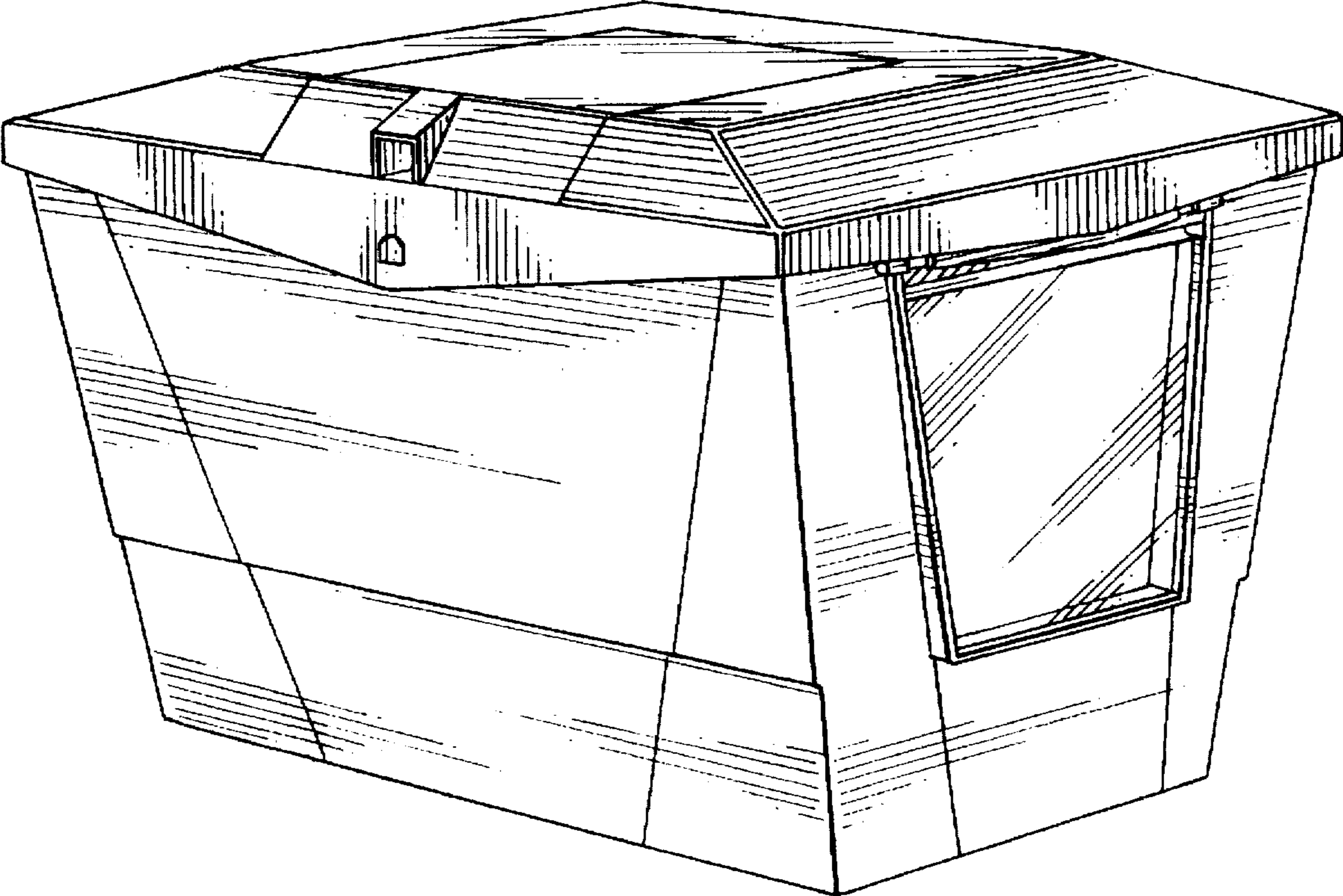


FIG. 2

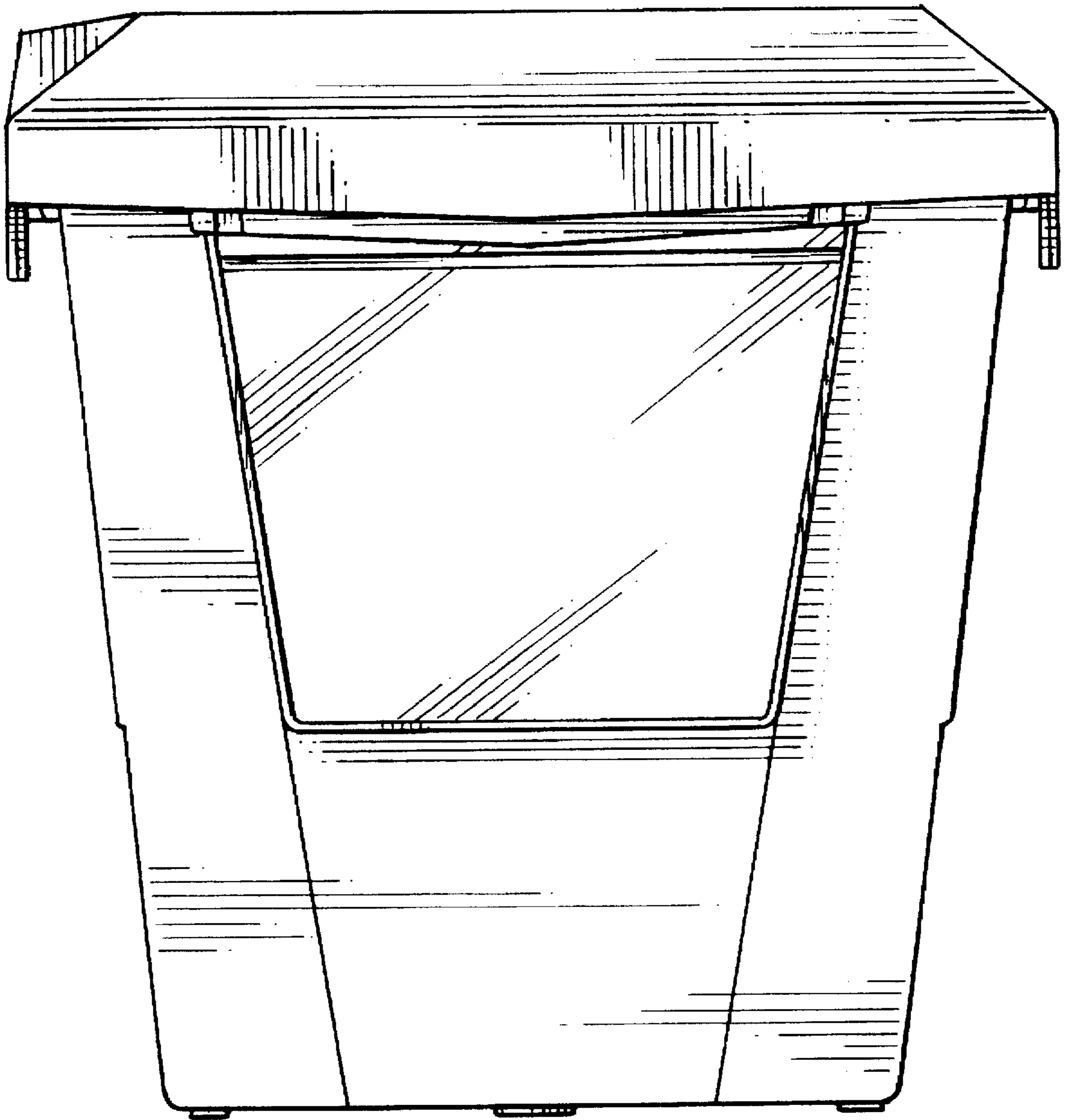


FIG. 3

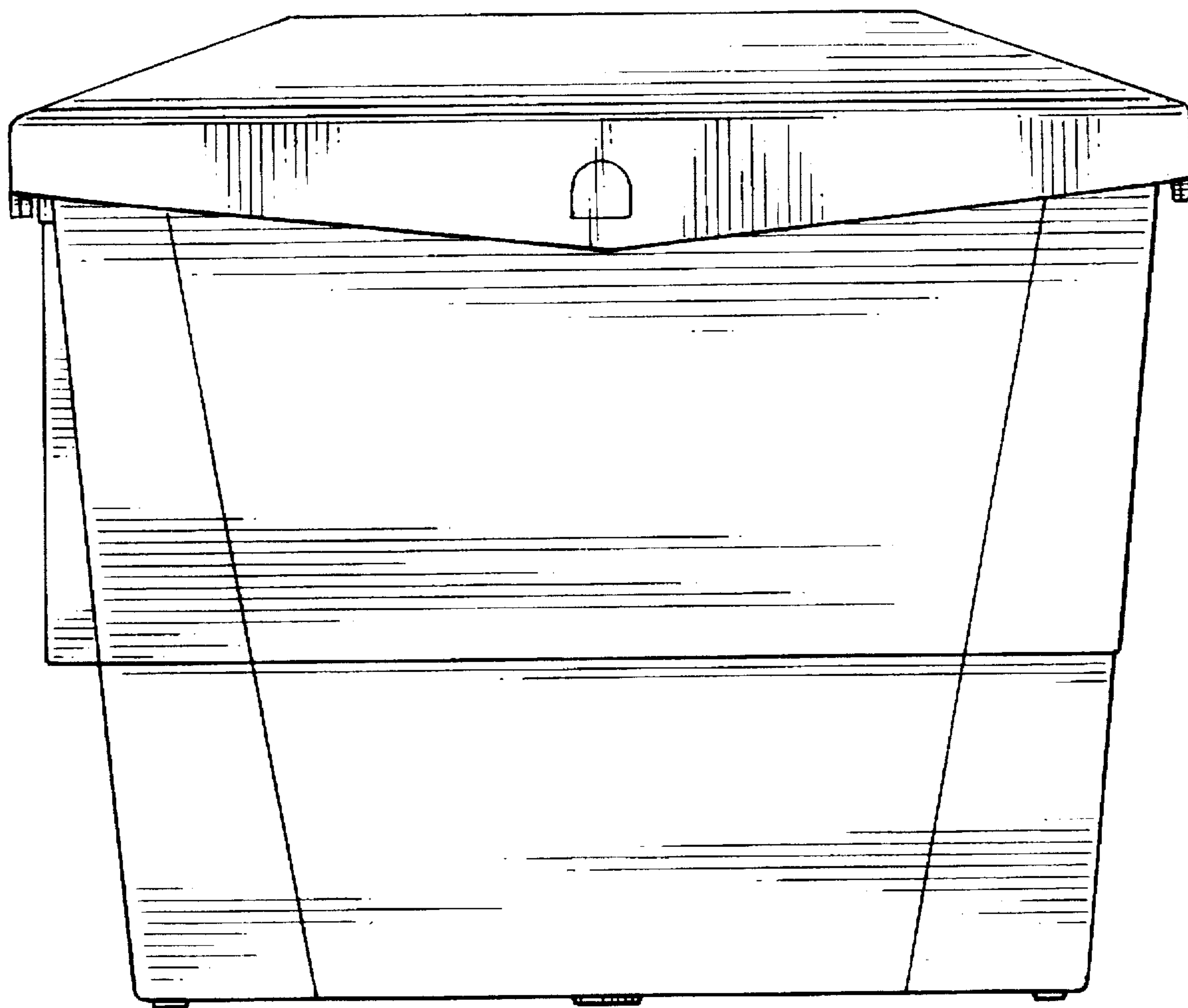


FIG. 4

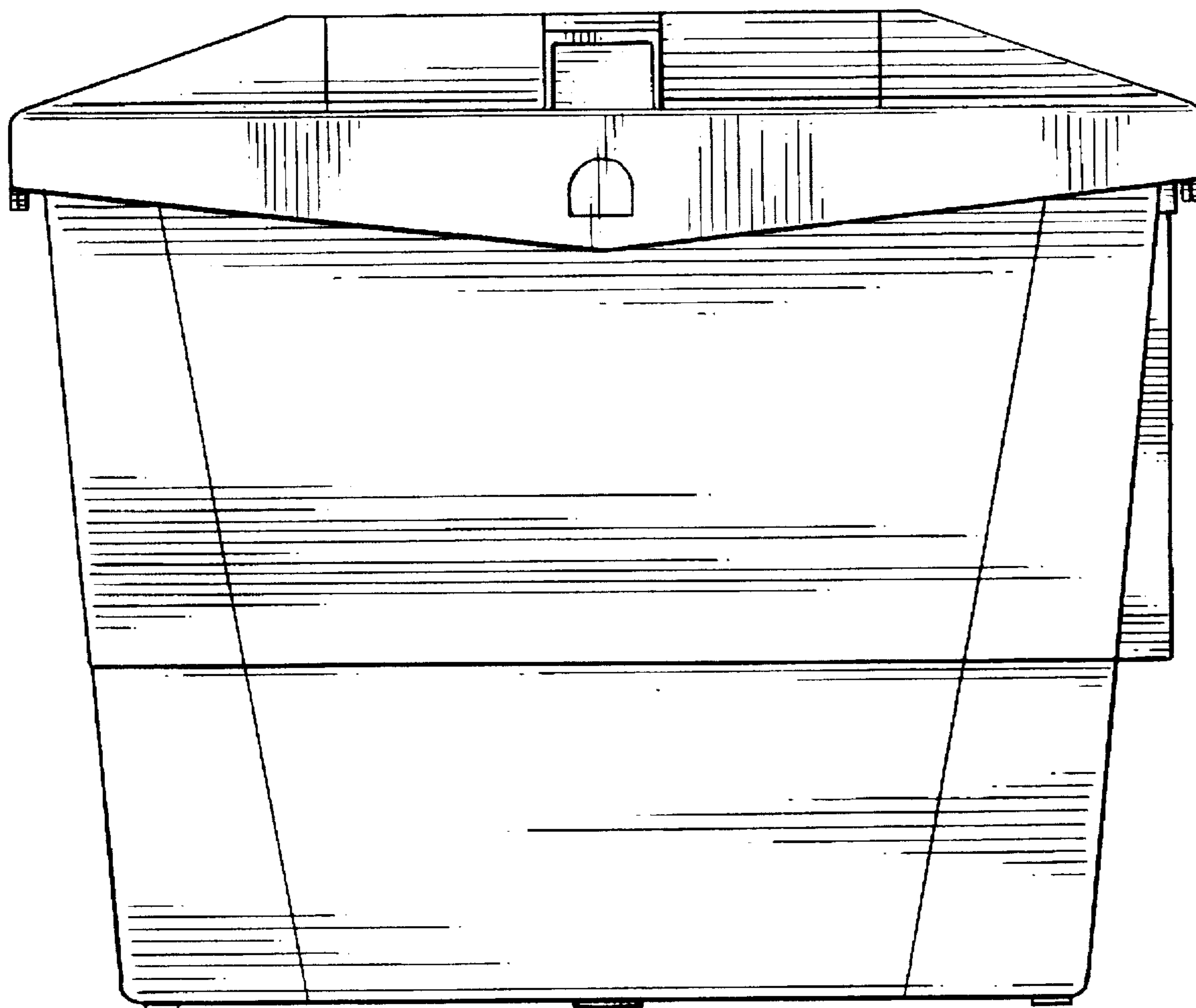


FIG. 5

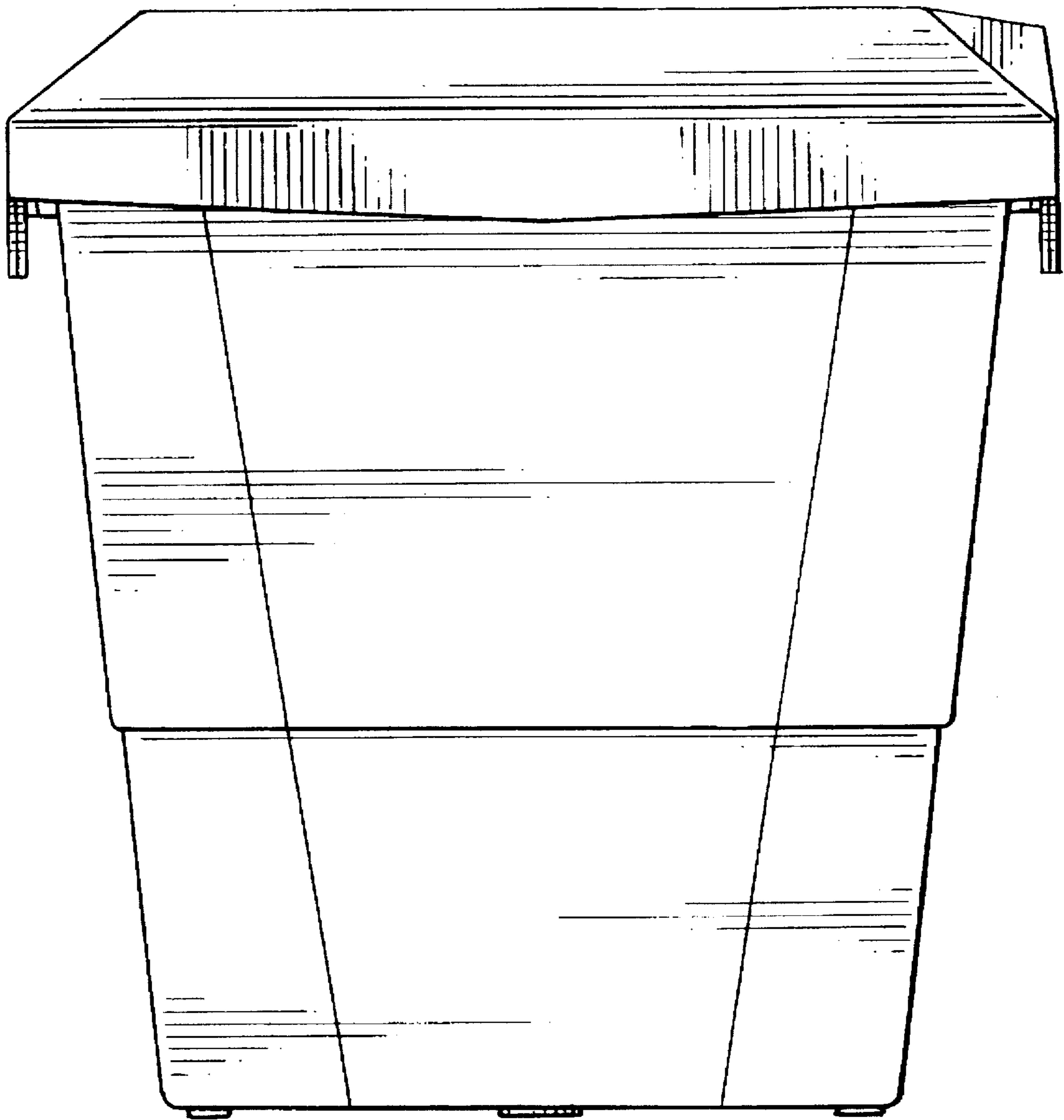


FIG. 6

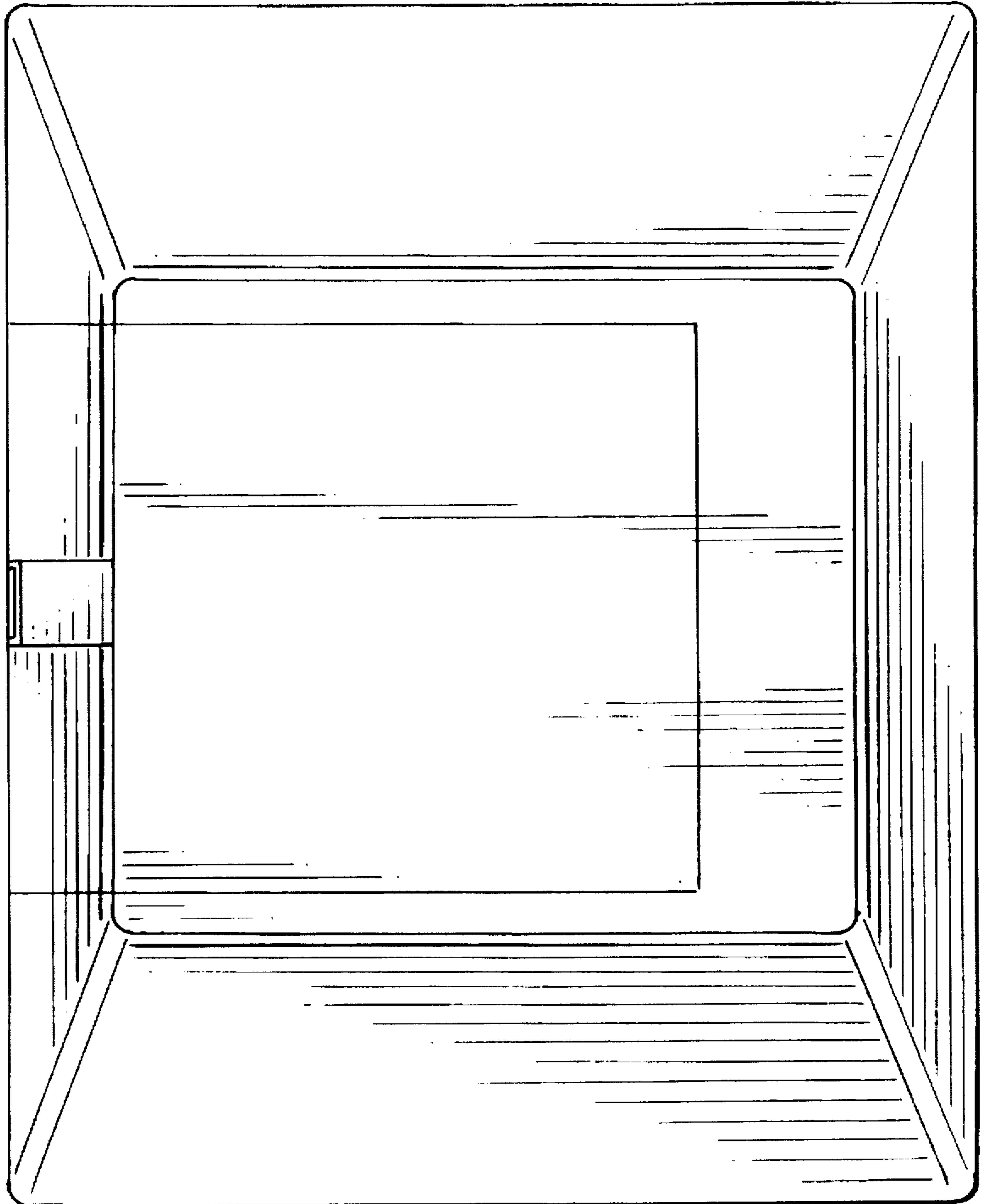


FIG. 7

