



US00D392075S

United States Patent [19] Holt

[11] Patent Number: Des. 392,075

[45] Date of Patent: **Mar. 10, 1998

[54] **COMBINED PET DRINKING BOWL AND RESERVOIR**

[76] Inventor: **Thomas C. Holt**, 23352 Hunterfield Rd., Maitland, Fla. 32751

[**] Term: **14 Years**

[21] Appl. No.: **62,416**

[22] Filed: **Nov. 14, 1996**

[51] LOC (6) Cl. **30-03**

[52] U.S. Cl. **D30/129; D30/132; D23/301**

[58] Field of Search D30/121, 129-132, D30/161; 119/51.5, 52.1, 52.2, 53, 57.8, 57.9, 58, 59, 60, 61, 63, 71, 73-75, 77, 464, 475, 477; D23/295, 301, 313

[56] **References Cited**

U.S. PATENT DOCUMENTS

D. 92,215	5/1934	Teahen	D23/301
D. 95,733	5/1935	Duncan, Jr.	D30/121
D. 188,750	9/1960	Swann	D23/301
D. 191,697	11/1961	Chapman	D23/301
D. 198,431	6/1964	Armstrong	D23/301
D. 203,804	2/1966	Armstrong	D23/301
D. 237,884	12/1975	Korol	D23/301

D. 271,690	12/1983	Stobel	D23/301
D. 352,576	11/1994	Trigoboff et al.	D30/129
D. 353,229	12/1994	Trigoboff et al.	D30/121
D. 355,056	1/1995	Burnet	D30/132
5,058,528	10/1991	Counsellor et al.	D30/161

Primary Examiner—Cathy Anne MacCormac
Attorney, Agent, or Firm—Elsie C. Turner

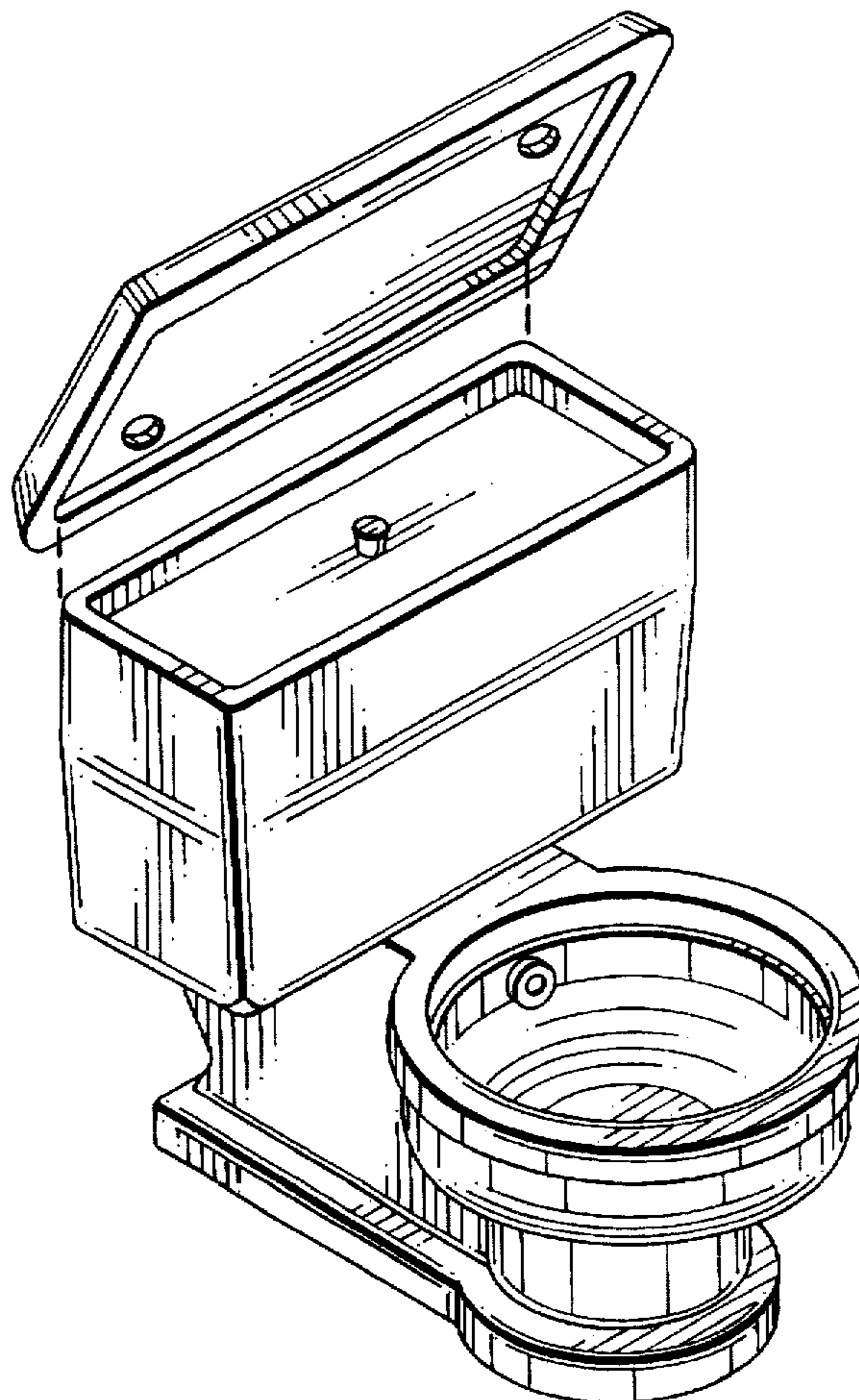
[57] **CLAIM**

The ornamental design for a combined pet drinking bowl and reservoir, shown and described.

DESCRIPTION

FIG. 1 is a perspective view of the invention;
FIG. 2 is a front elevational of the invention;
FIG. 3 is a back elevational view of the invention;
FIG. 4 is a side elevational view of the invention;
FIG. 5 is a top plan view of the invention, removable cover on;
FIG. 6 is a bottom plan view of the invention;
FIG. 7 is an exploded perspective view thereof, showing the top of the reservoir roof and plugged refill hole;
FIG. 8 is a top plan view of FIG. 7 with the cover removed; and,
FIG. 9 is a bottom plan view of the cover seen in FIG. 7.

1 Claim, 2 Drawing Sheets



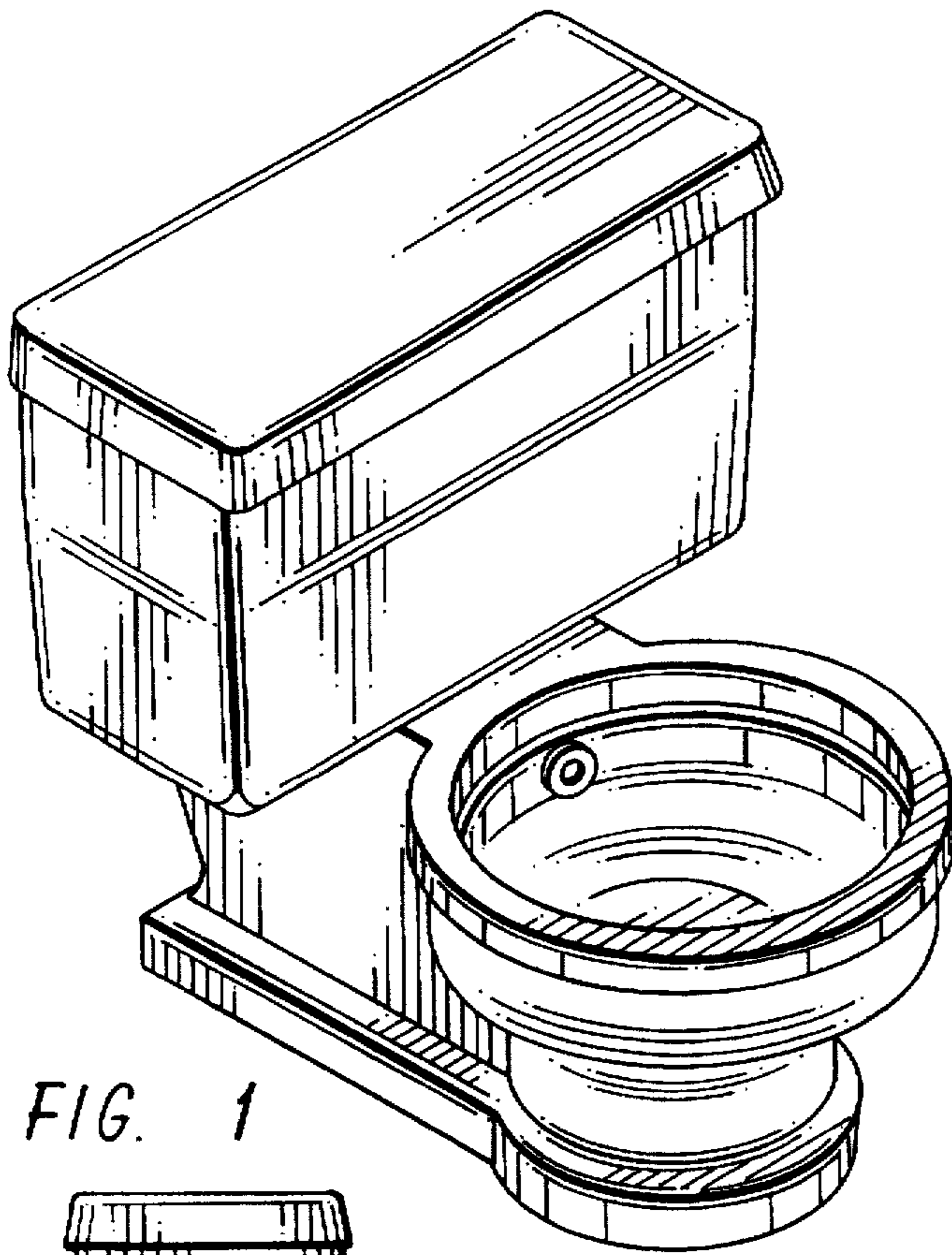


FIG. 1

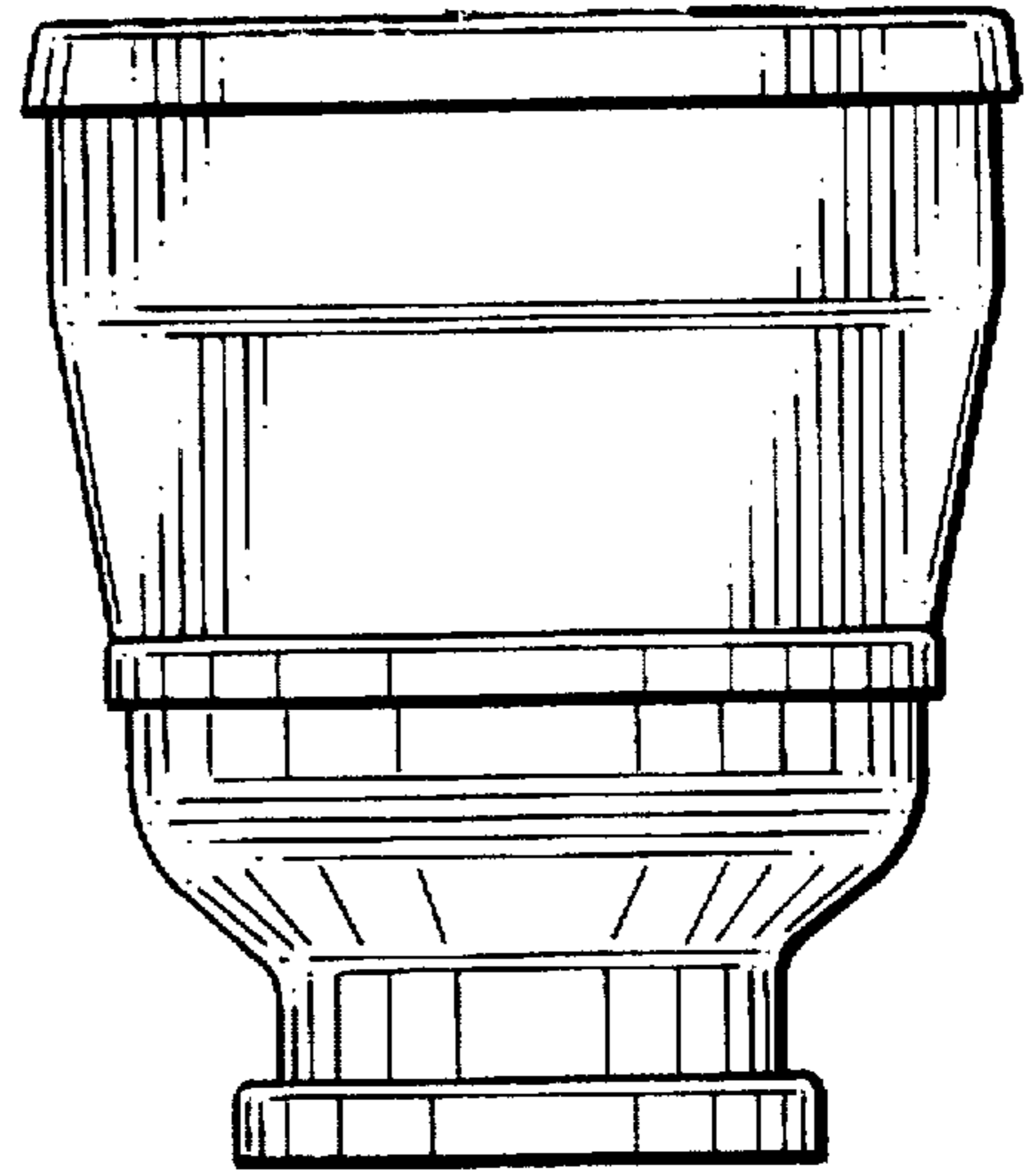


FIG. 2

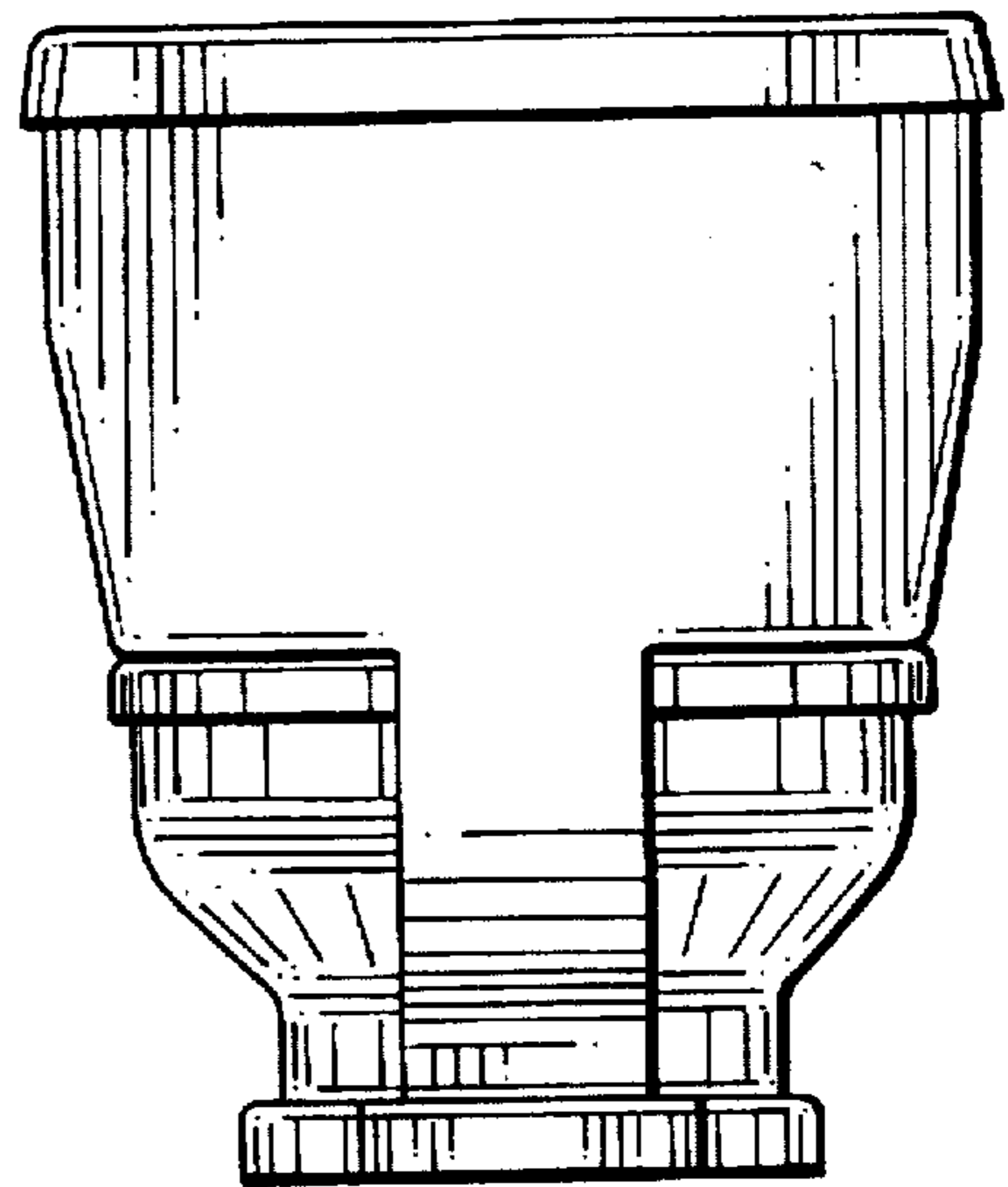


FIG. 3

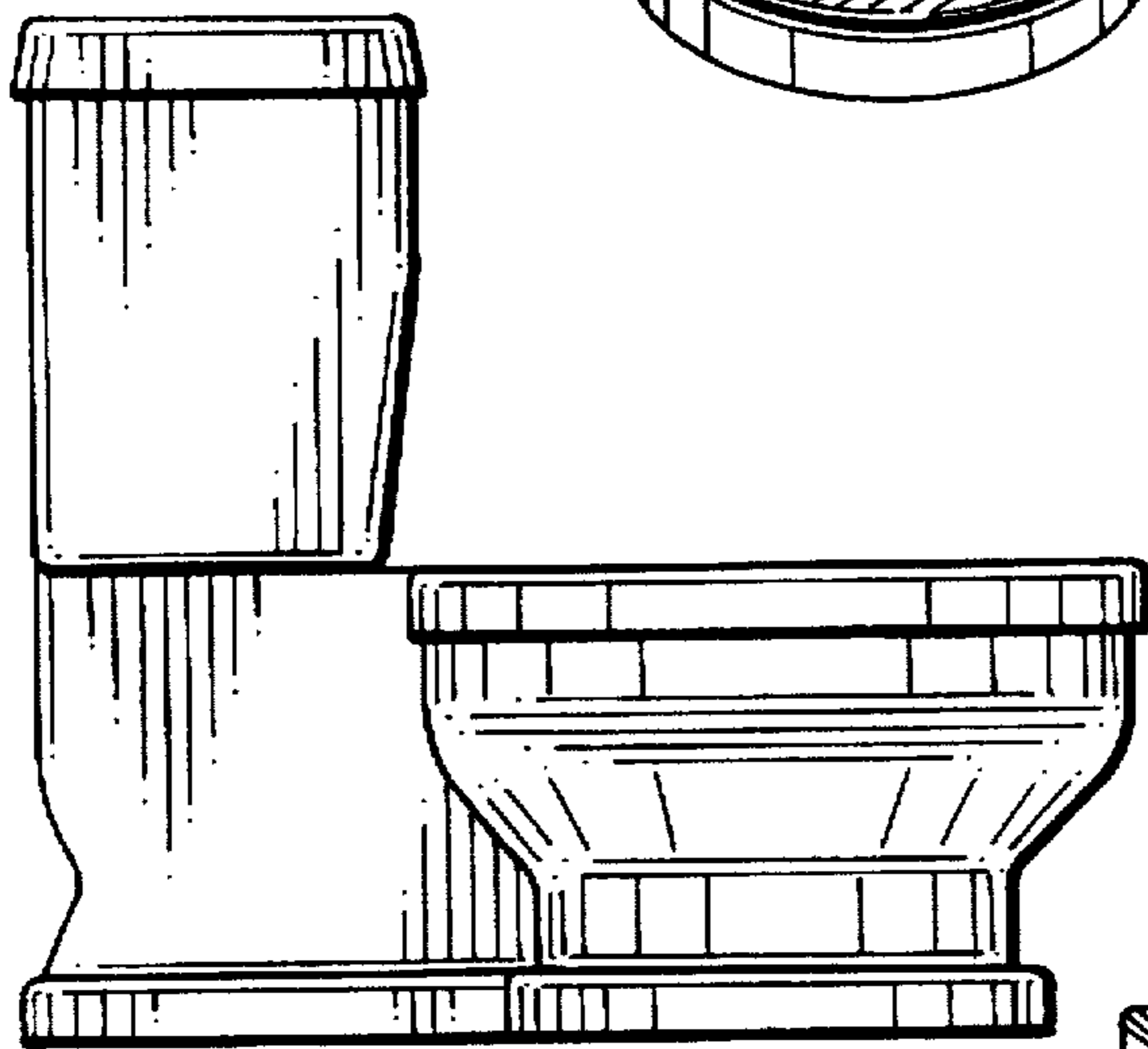


FIG. 4

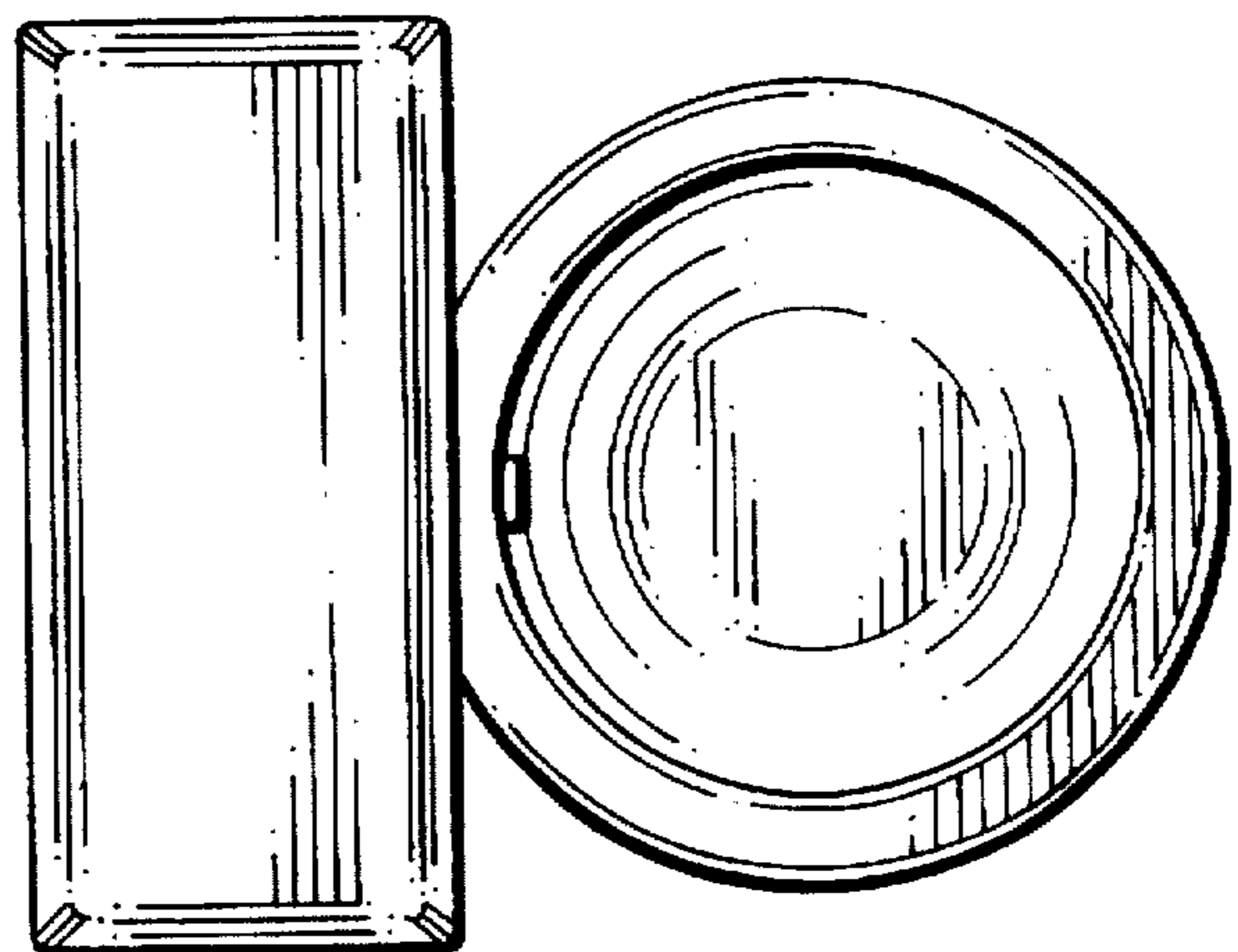


FIG. 5

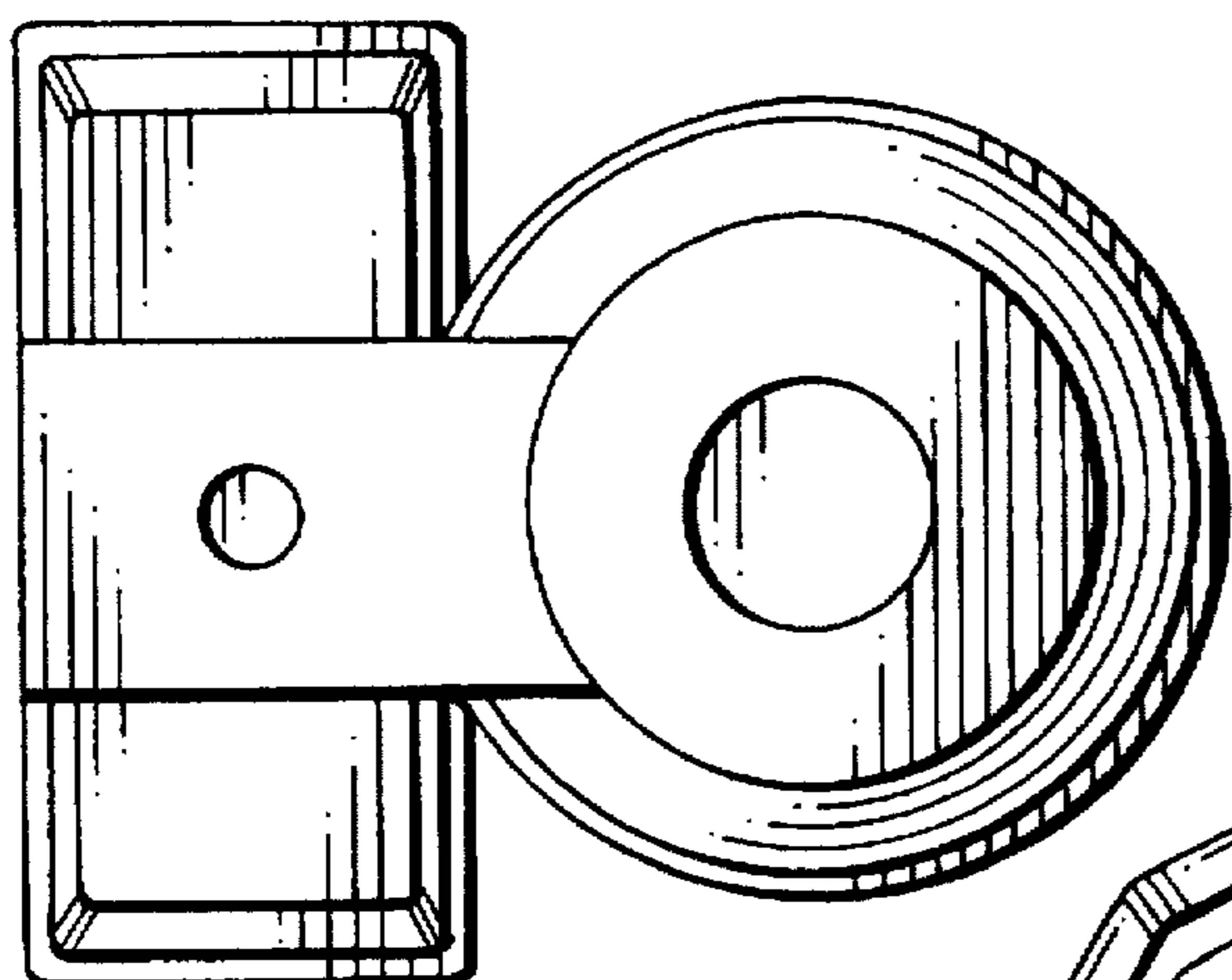


FIG. 6

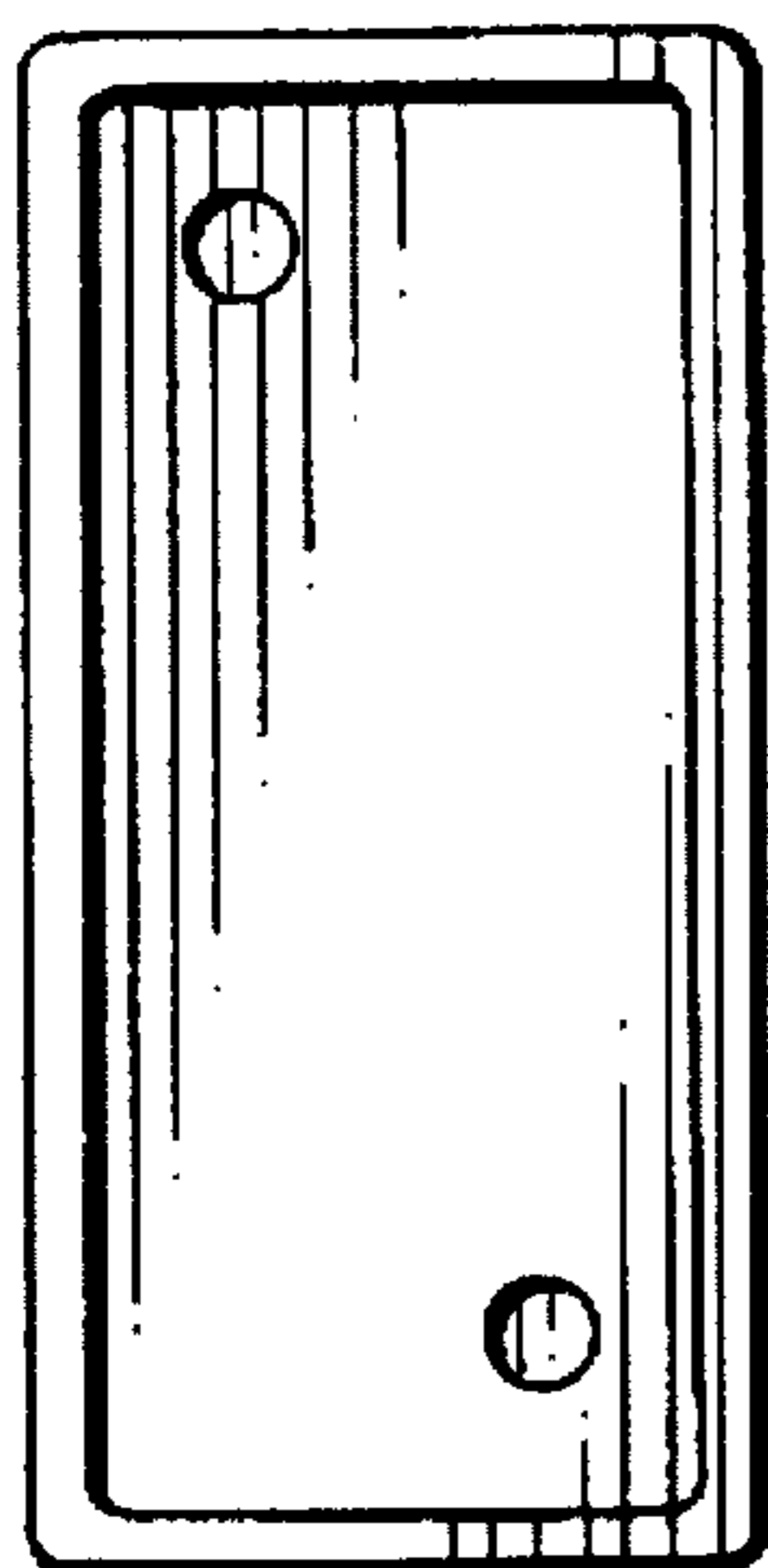


FIG. 9

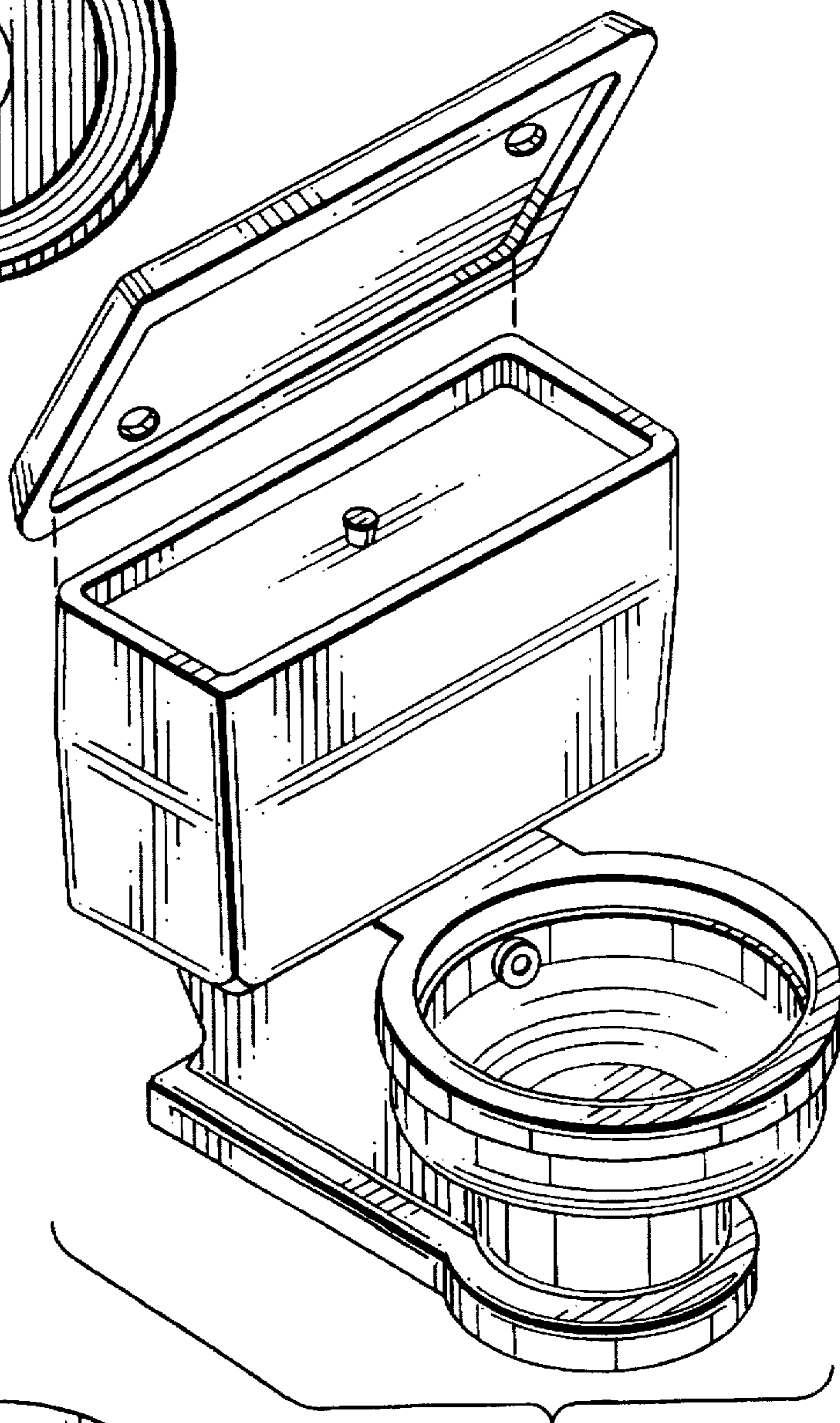


FIG. 7

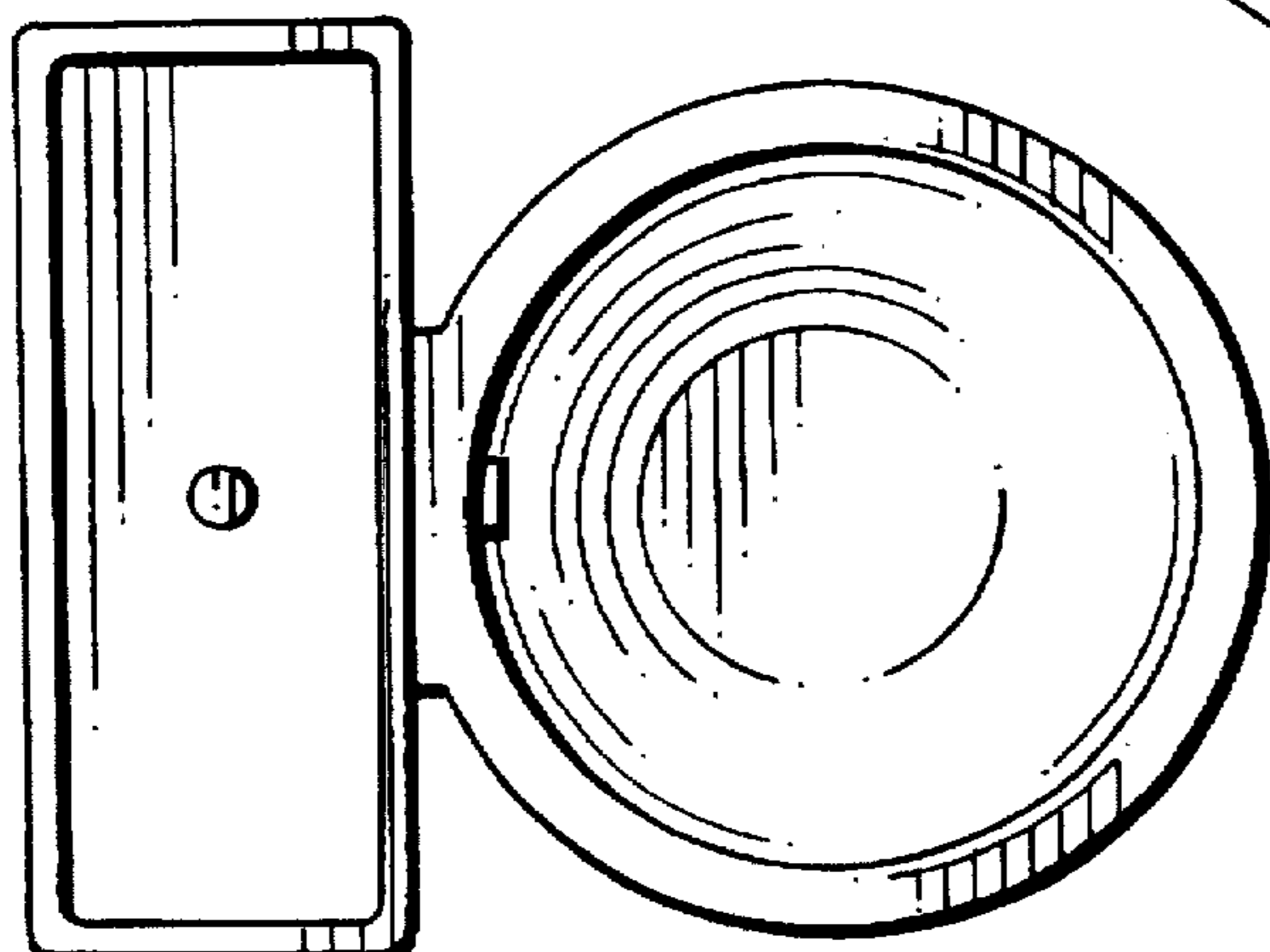


FIG. 8