



US00D392073S

# United States Patent [19]

Lashley

[11] Patent Number: Des. 392,073

[45] Date of Patent: \*\*Mar. 10, 1998

[54] FACE SCREEN FOR A HELMET SAFETY DEVICE

[76] Inventor: Lyle Lashley, 6 Whipple St., Somerville, Mass. 02144

[\*\*] Term: 14 Years

[21] Appl. No.: 34,793

[22] Filed: Feb. 13, 1995

[51] LOC (6) Cl. .... 29-02

[52] U.S. Cl. .... D29/122

[58] Field of Search ..... D29/102-107, D29/109-111; 2/410, 6.31, 411, 423-425, 9, 12, 15, 426

|           |         |                    |       |
|-----------|---------|--------------------|-------|
| 4,555,816 | 12/1985 | Broersma .         |       |
| 4,612,675 | 9/1986  | Broersma .         |       |
| 4,731,885 | 3/1988  | Nava .             |       |
| 4,802,243 | 2/1989  | Griffiths .....    | 2/423 |
| 4,807,305 | 2/1989  | Sundahl .          |       |
| 4,860,389 | 8/1989  | Morin .            |       |
| 5,131,101 | 7/1992  | Chin .             |       |
| 5,351,339 | 10/1994 | Reuber et al. .... | 2/424 |

Primary Examiner—Ruth McInroy  
Attorney, Agent, or Firm—Scott Garrison; Gary Lambert

### [57] CLAIM

The ornamental design for a face screen for a helmet safety device, as shown and described.

### DESCRIPTION

FIG. 1 is a left side perspective view of a face screen for a helmet safety device showing my new design. the helmet shown in broken lines is for illustrative purposes only and forms no part of the claimed design;

FIG. 2 is a right side perspective view thereof;

FIG. 3 is a top plan view thereof;

FIG. 4 is a side elevation view thereof;

FIG. 5 is a front elevation view thereof; and,

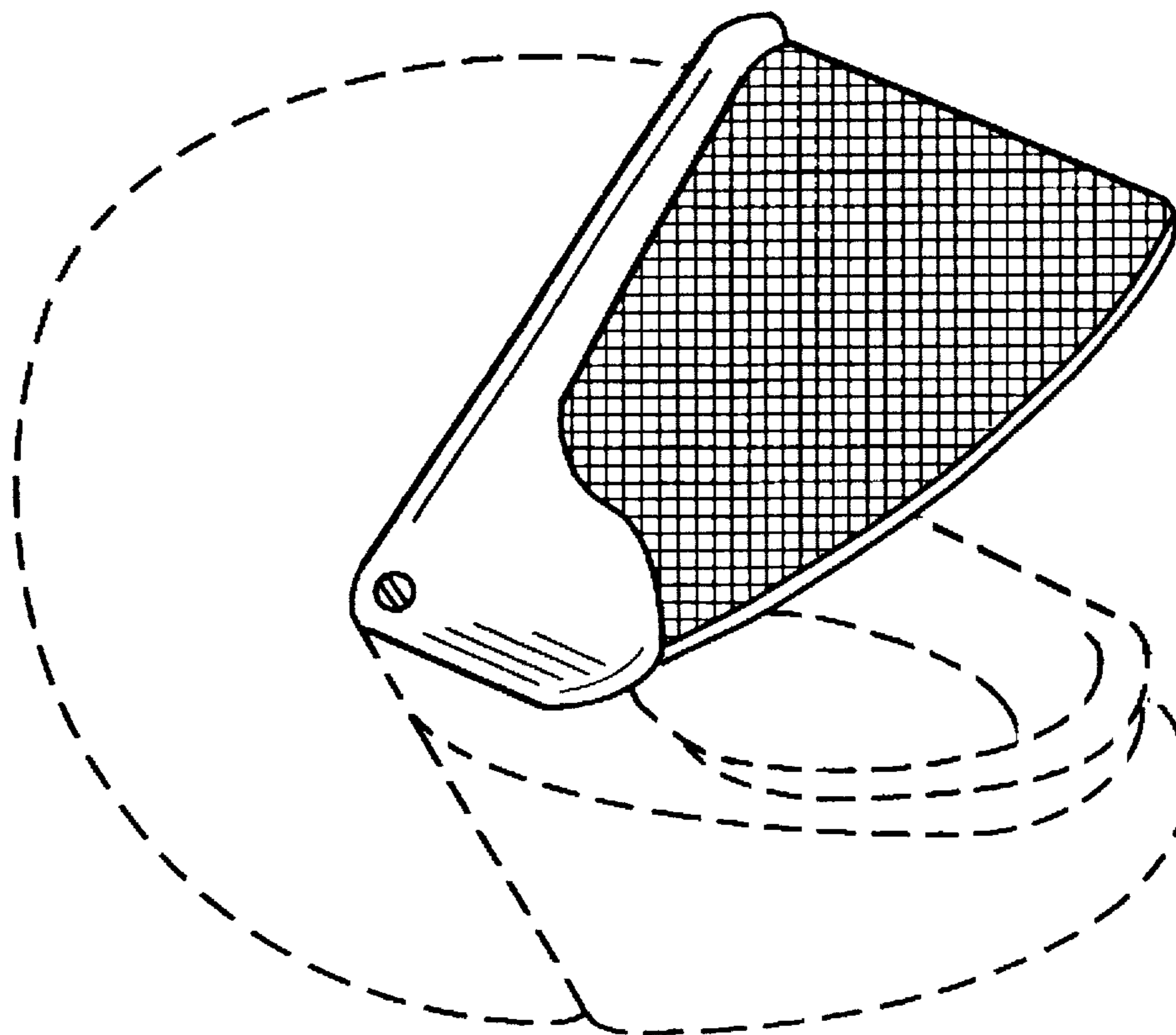
FIG. 6 is a rear elevation view thereof.

### [56] References Cited

#### U.S. PATENT DOCUMENTS

|            |         |                |         |
|------------|---------|----------------|---------|
| D. 311,263 | 10/1990 | Russell .....  | D29/110 |
| D. 326,932 | 6/1992  | Millar .....   | D29/110 |
| D. 331,820 | 12/1992 | Scanlon .....  | D29/110 |
| D. 340,546 | 10/1993 | Kamata .....   | D29/107 |
| D. 359,586 | 6/1995  | Lofton .....   | D29/110 |
| D. 361,867 | 8/1995  | Taniuchi ..... | D29/102 |
| 4,042,974  | 8/1977  | Morgan .       |         |
| 4,524,465  | 6/1985  | Huber .        |         |

1 Claim, 3 Drawing Sheets



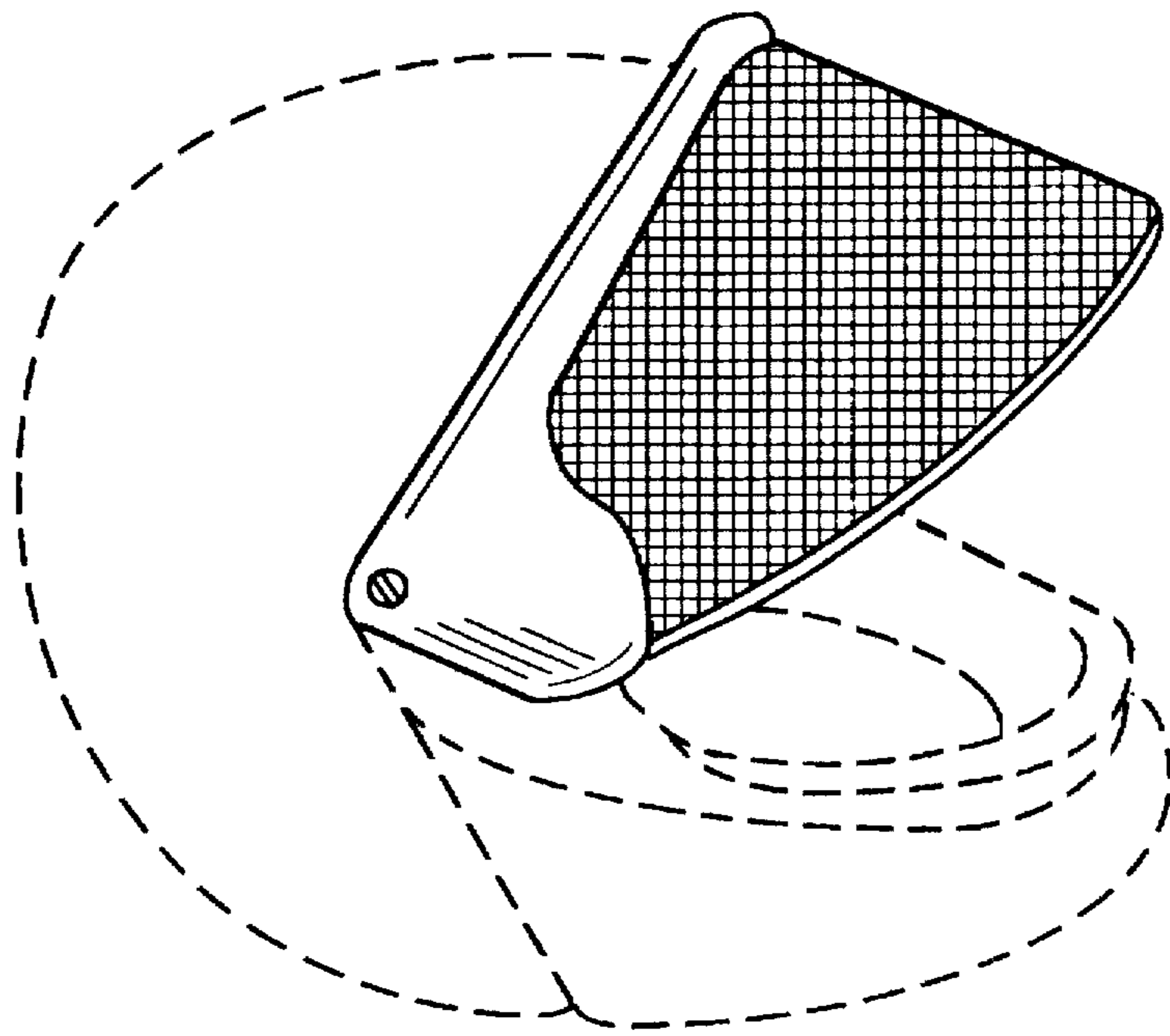


FIG. 1

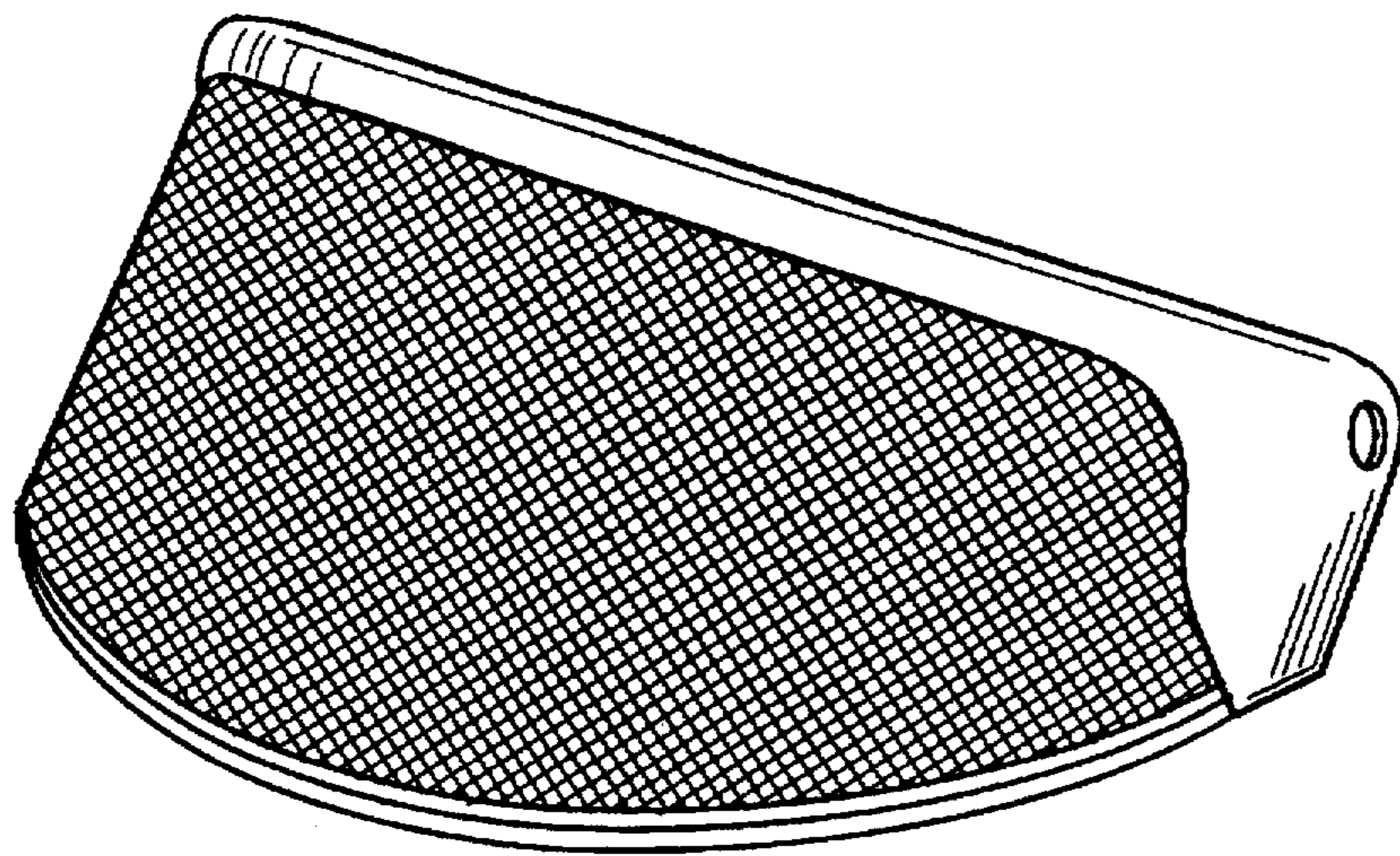


FIG. 2

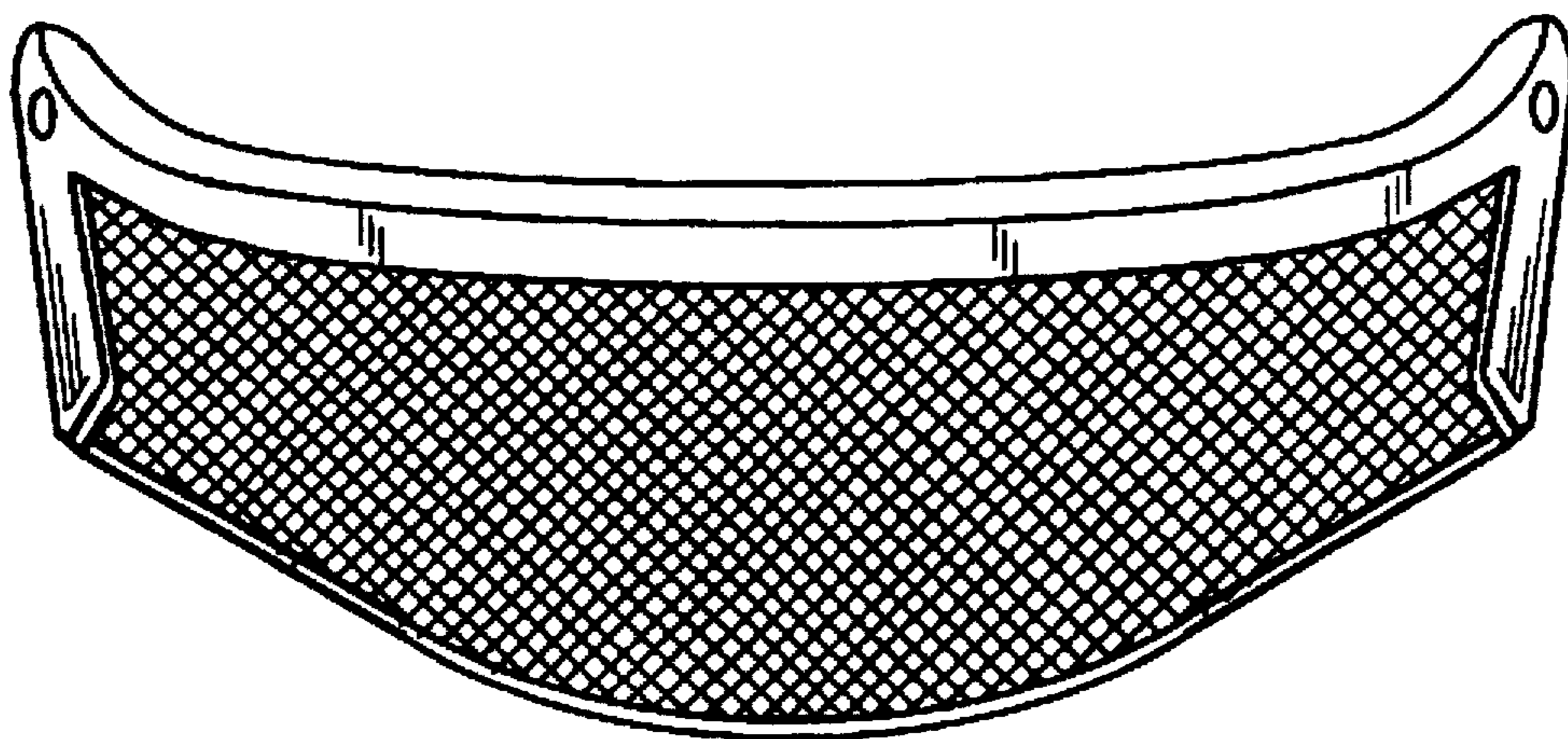


FIG. 3

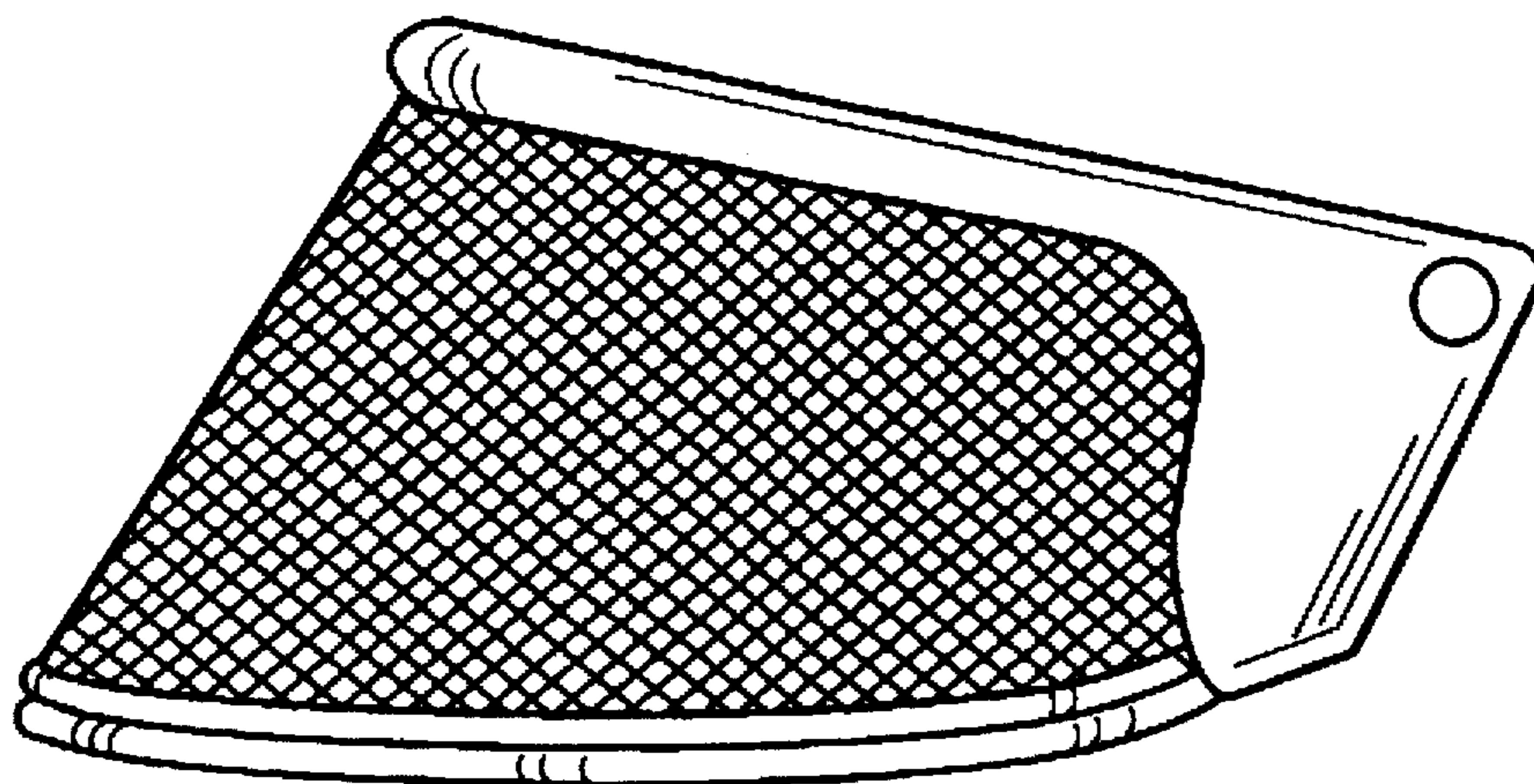


FIG. 4

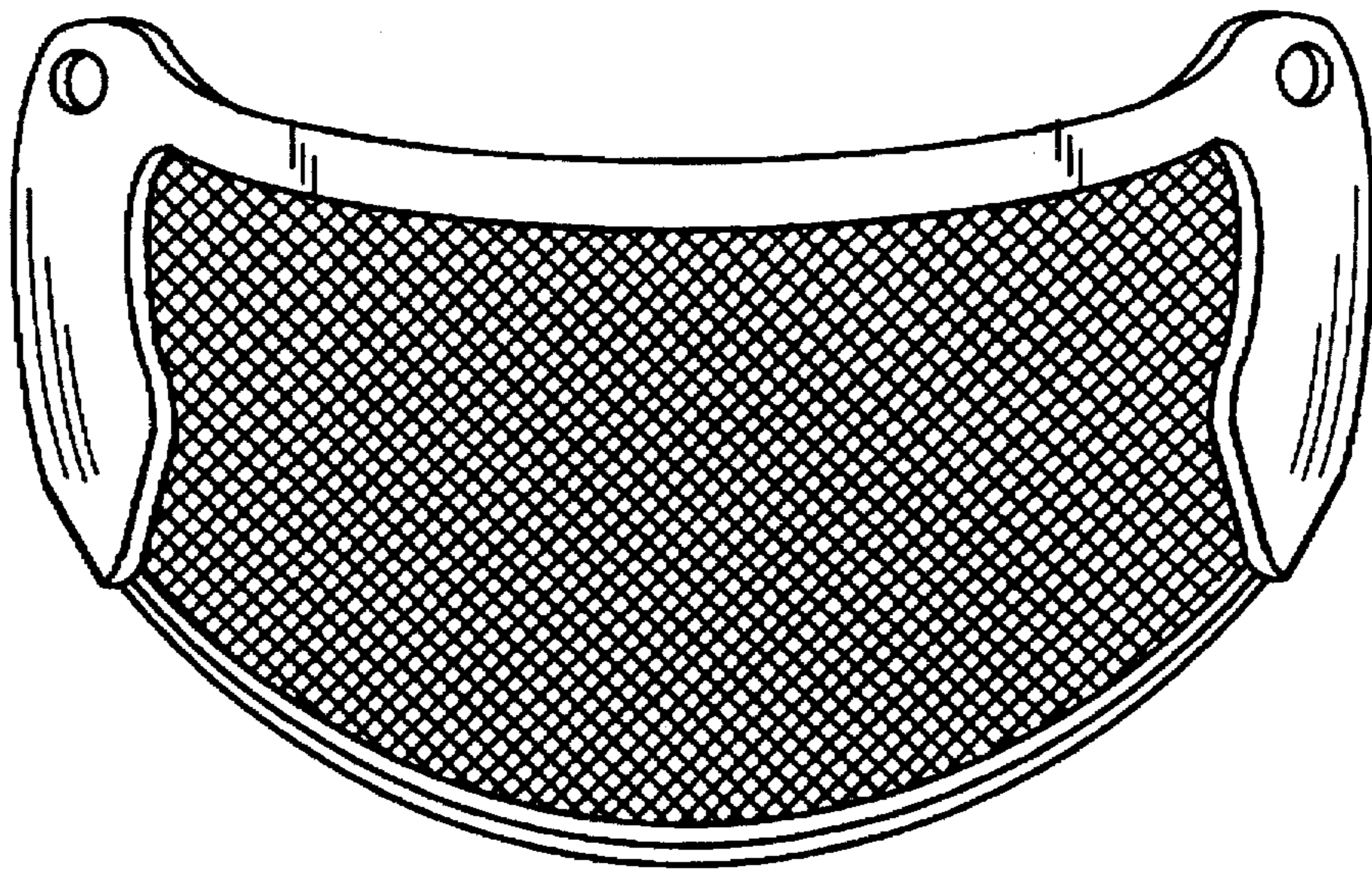


FIG. 5

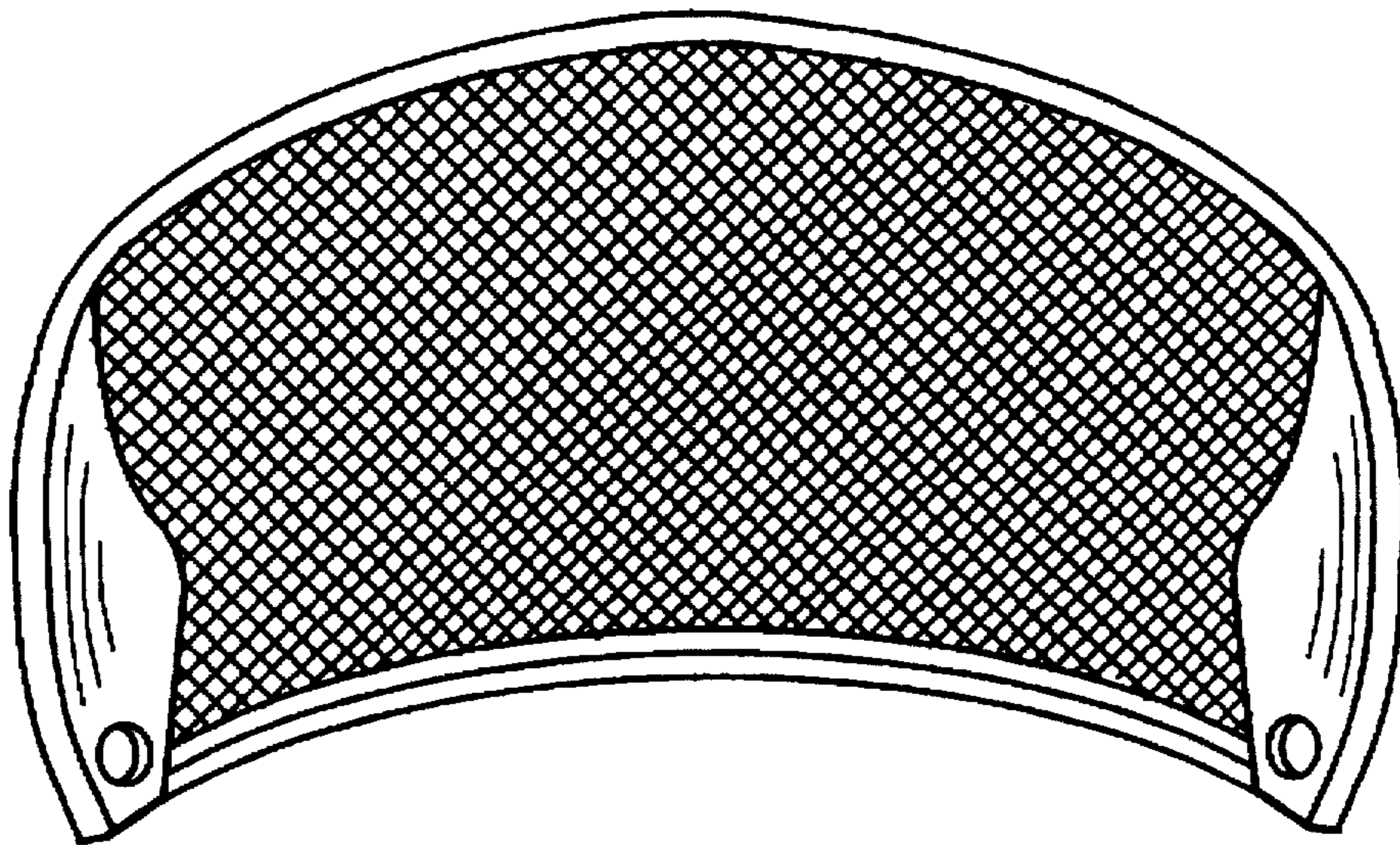


FIG. 6