

US00D392071S

**United States Patent** [19]  
**Berke**

[11] **Patent Number: Des. 392,071**  
[45] **Date of Patent: \*\*Mar. 10, 1998**

[54] **INDUSTRIAL HELMET WITH AN EXTENDED VISION OPTICAL ELEMENT**

[76] **Inventor: Joseph J. Berke, 2063 Long Lake Shore, West Bloomfield, Mich. 48323**

[\*\*] **Term: 14 Years**

[21] **Appl. No.: 58,006**

[22] **Filed: Aug. 6, 1996**

[51] **LOC (6) Cl. .... 09-03**

[52] **U.S. Cl. .... D29/103**

[58] **Field of Search .... D29/102-106, D29/122; 2/425, 422, 10, 423, 209.13, 209.14; 359/880; 350/879, 871; D12/189; D6/300, 309; D2/891, 866**

[56] **References Cited**

**U.S. PATENT DOCUMENTS**

D. 206,479 12/1966 Raschke ..... D29/104

D. 218,385 8/1970 Bohner et al. .... D29/104  
D. 228,264 9/1973 Potter ..... D29/104  
D. 378,159 2/1997 Mulkey ..... D29/103  
4,603,944 8/1986 Greenlaw et al. .... D29/103  
5,048,943 9/1991 Allen ..... D29/122

*Primary Examiner*—Ruth McInroy  
*Attorney, Agent, or Firm*—Alex Rhodes

[57] **CLAIM**

The ornamental design for an industrial helmet with an extended vision optical element, as shown and described.

**DESCRIPTION**

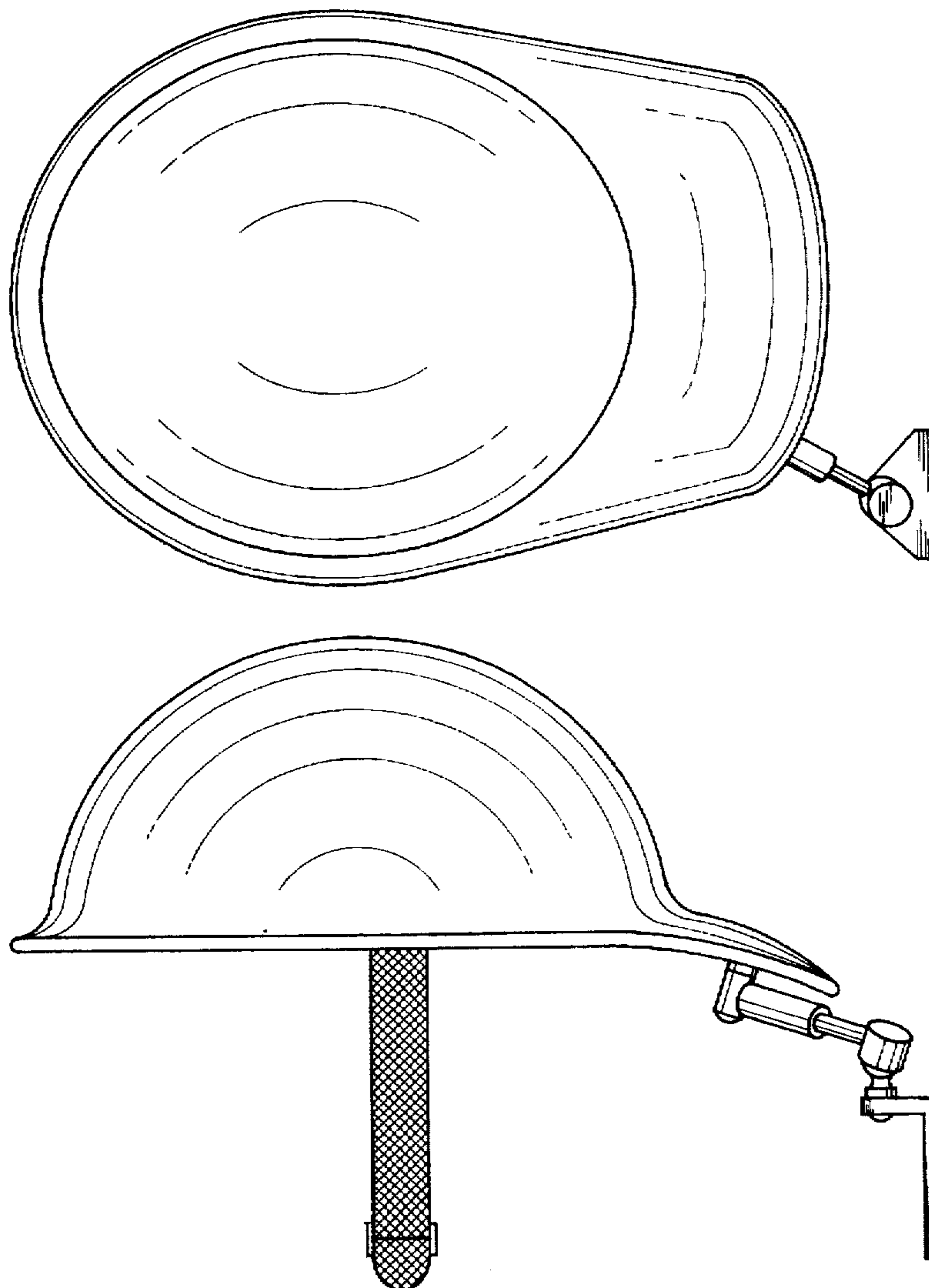
FIG. 1 is a plan view of a safety helmet with an extended vision optical element in an operable position, showing my new design;

FIG. 2 is a right side view thereof;

FIG. 3 is a front view thereof; and,

FIG. 4 is a bottom view thereof.

**1 Claim, 2 Drawing Sheets**



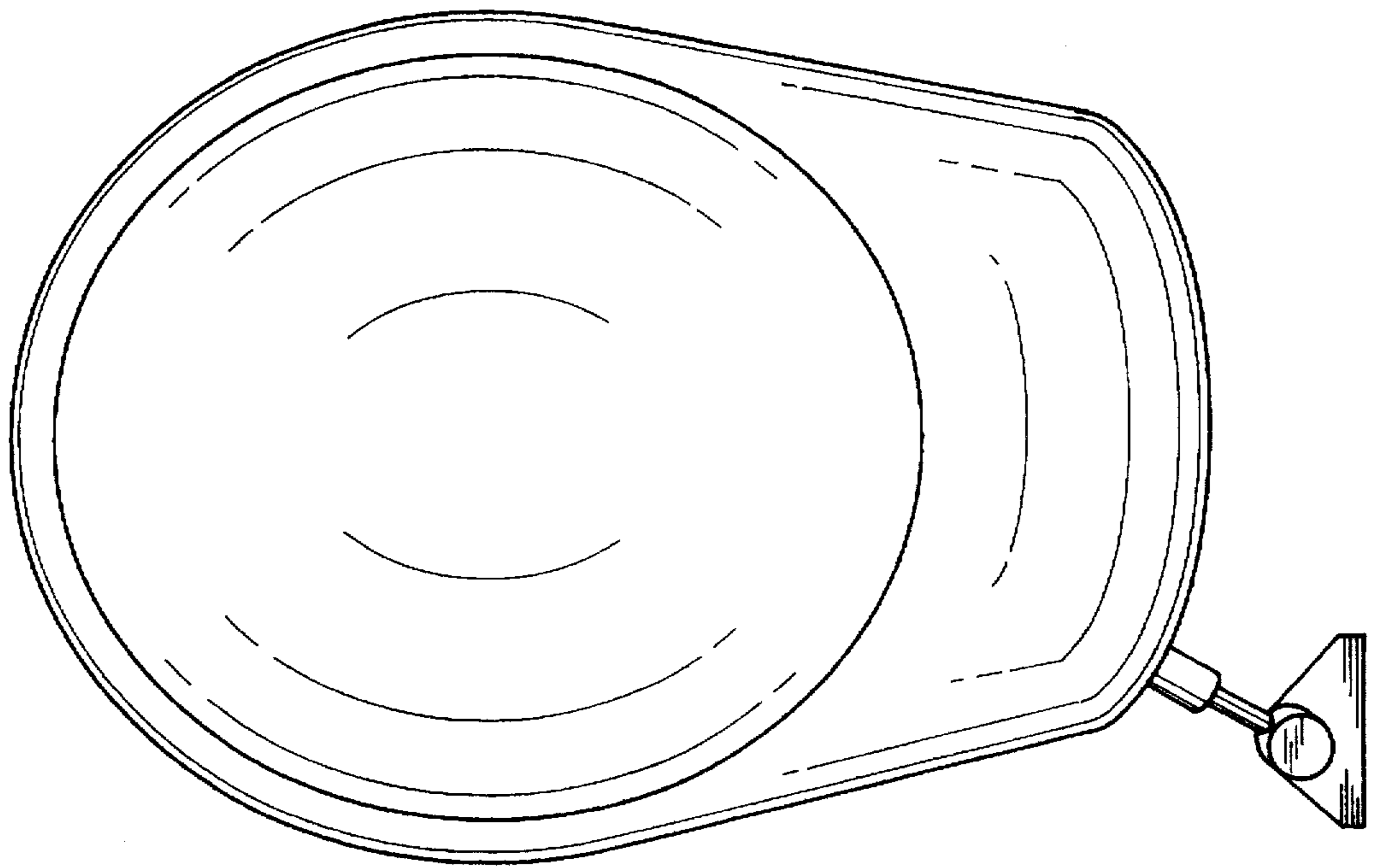


FIG. 1

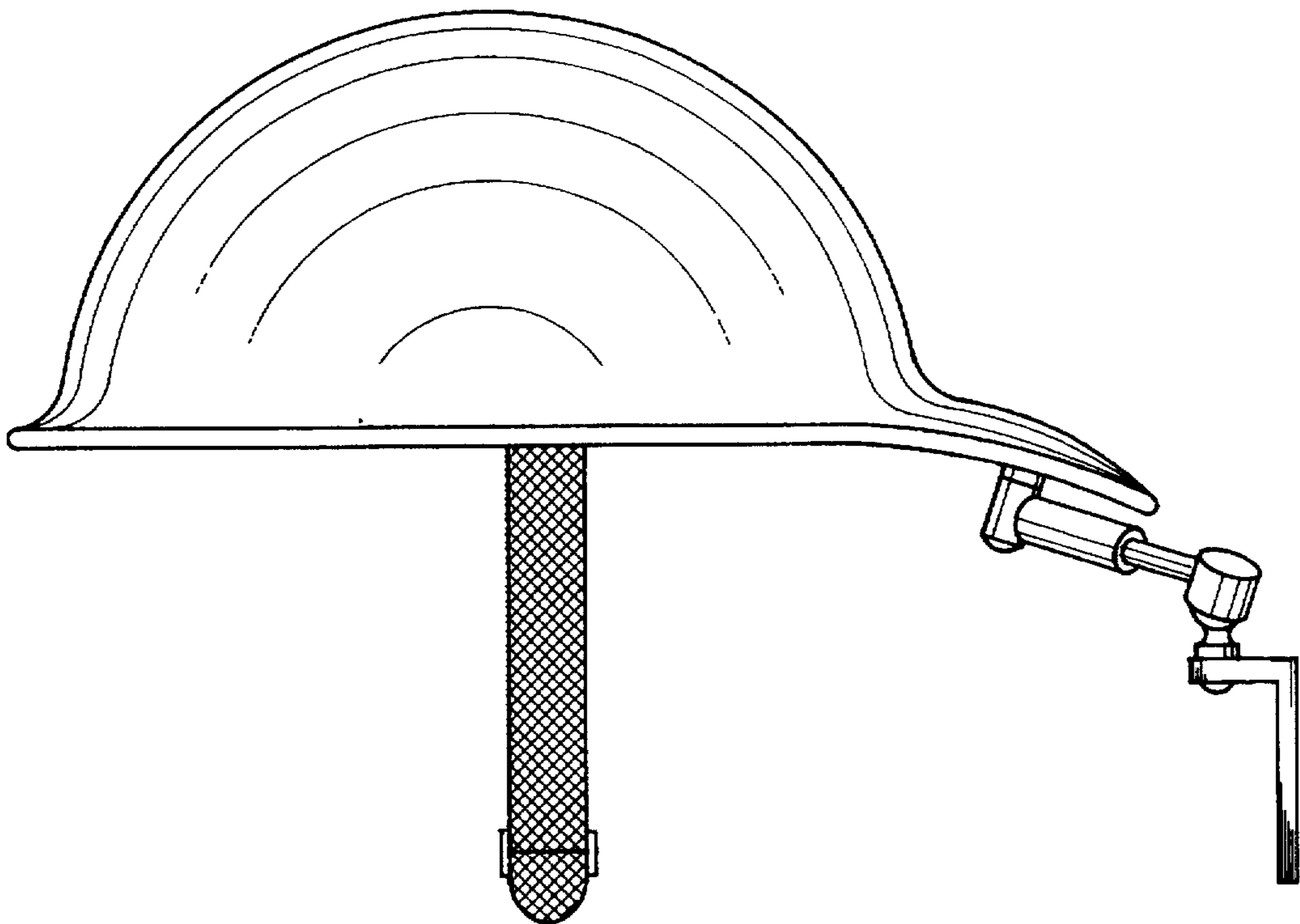


FIG. 2

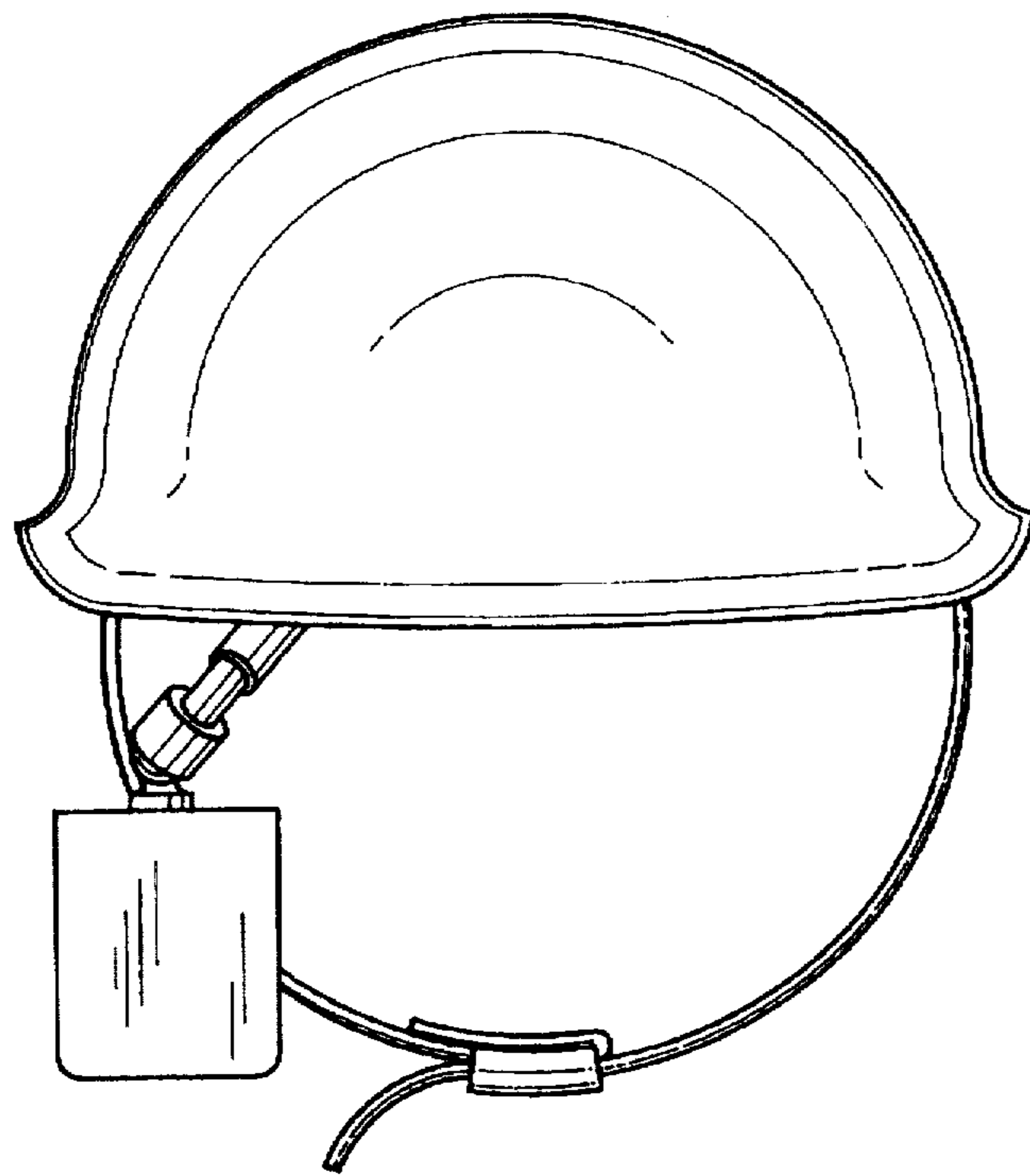


FIG. 3

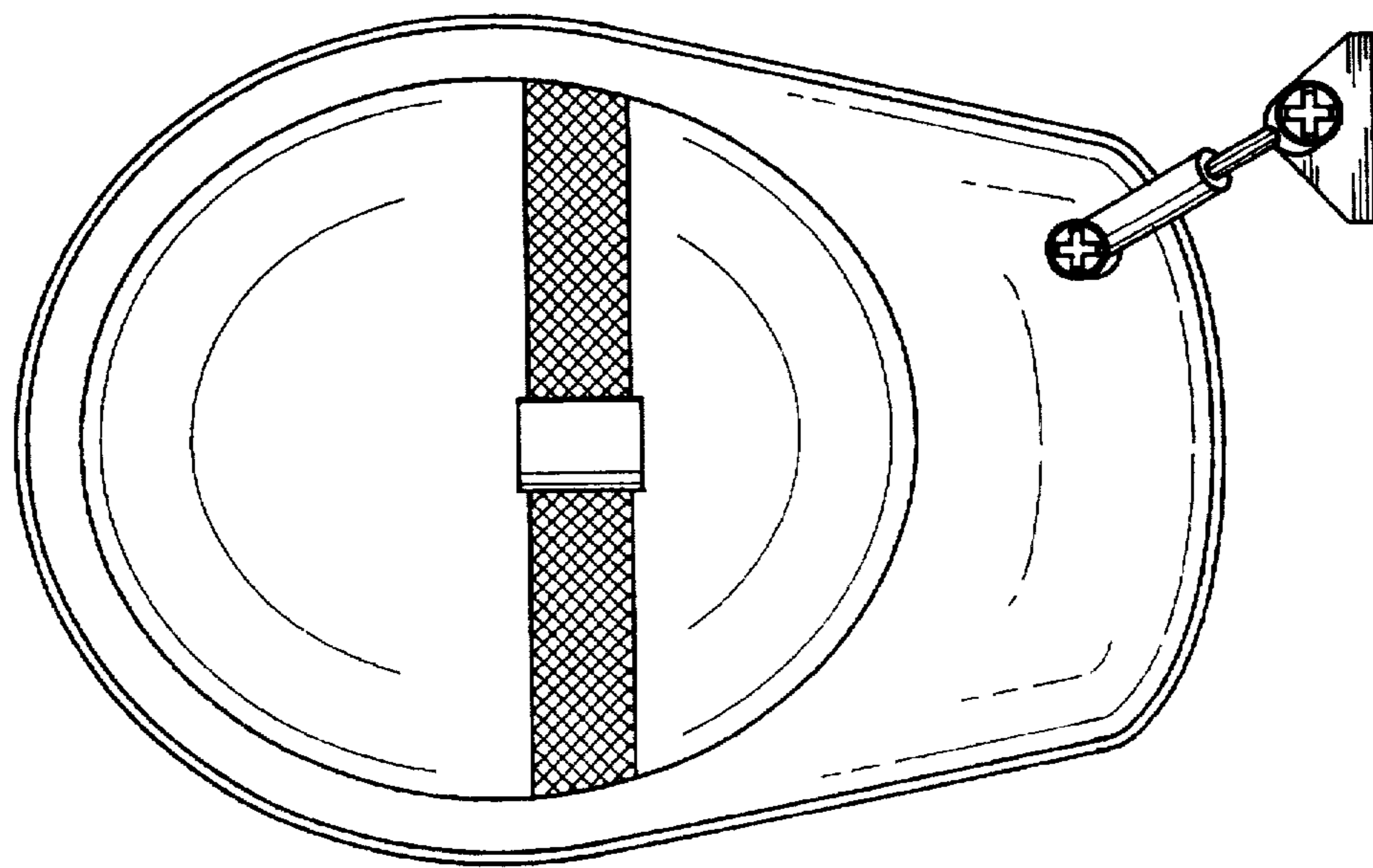


FIG. 4