



US00D392067S

United States Patent [19]

Morrow et al.

[11] Patent Number: **Des. 392,067**

[45] Date of Patent: ****Mar. 10, 1998**

[54] **SECURITY LIGHTING FIXTURE**

[75] Inventors: **James Morrow**, Oak Park; **Brian Day**, Des Plaines, both of Ill.; **Gary Van Deursen**, Evergreen, Colo.

[73] Assignee: **Coleman Safety and Security Products, Inc.**, Downers Grove, Ill.

[**] Term: **14 Years**

[21] Appl. No.: **71,126**

[22] Filed: **May 21, 1997**

[51] LOC (6) Cl. **26-05**

[52] U.S. Cl. **D26/65; D10/106; D26/62**

[58] Field of Search **D26/61, 62, 63, D26/65; 362/269, 275, 287, 418, 419, 427, 394, 276, 421; D10/106**

[56] **References Cited**

U.S. PATENT DOCUMENTS

D. 279,246 6/1985 Haslam et al. D26/63

D. 315,030 2/1991 Jacobs et al. D26/63
5,258,899 11/1993 Chen 362/421 X

OTHER PUBLICATIONS

B-K Lighting, Inc. flyer, Pol lighting fixture, Aug. 1993.

Primary Examiner—Susan J. Lucas
Attorney, Agent, or Firm—James H. Phillips; Michael A. Lechter

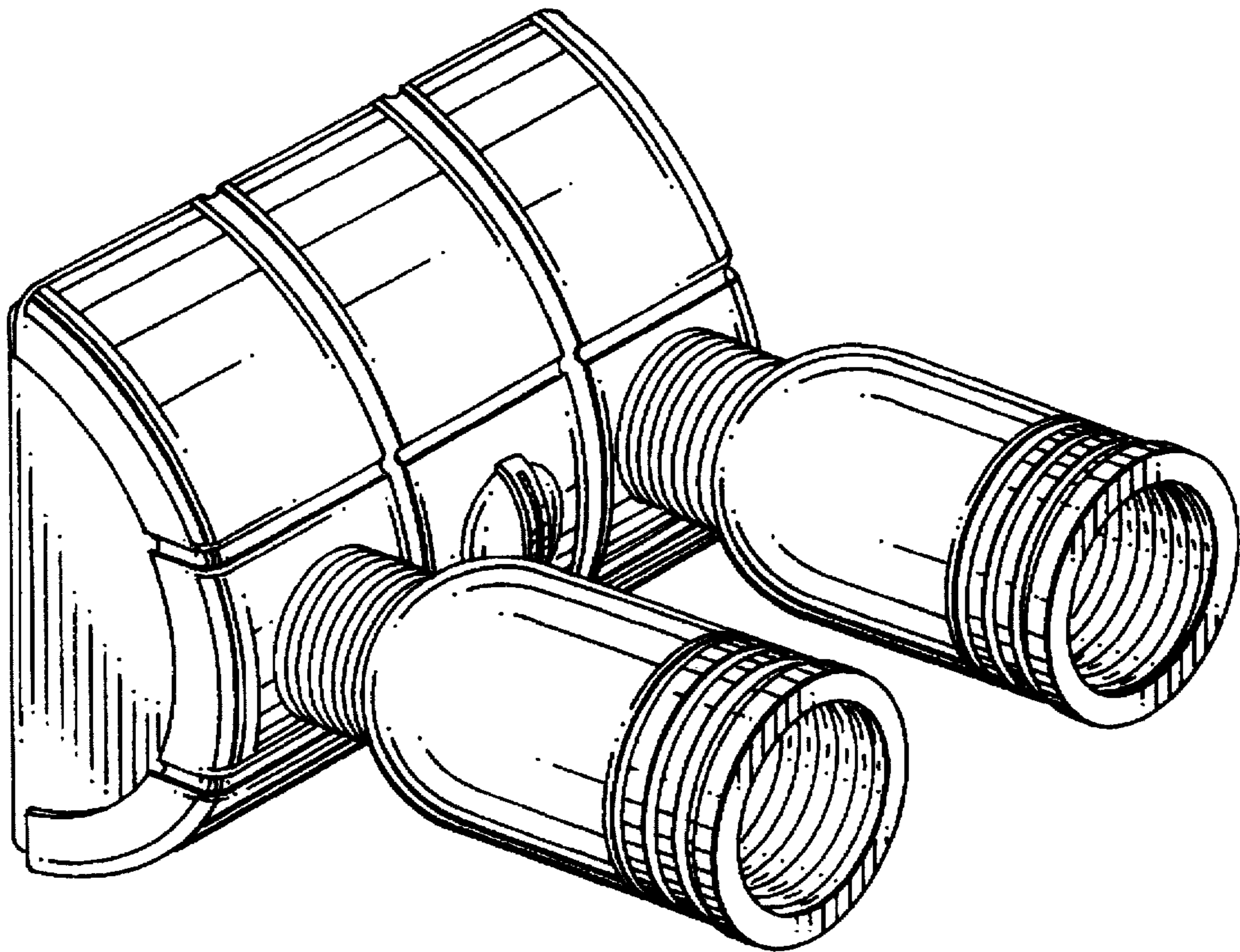
[57] **CLAIM**

The ornamental design for security lighting fixture, as shown and described.

DESCRIPTION

FIG. 1 is a perspective view of our design;
FIG. 2 is a side view of our design;
FIG. 3 is a front view of our design;
FIG. 4 is a rear view of our design;
FIG. 5 is a top view of our design; and,
FIG. 6 is a bottom view of our design.

1 Claim, 1 Drawing Sheet



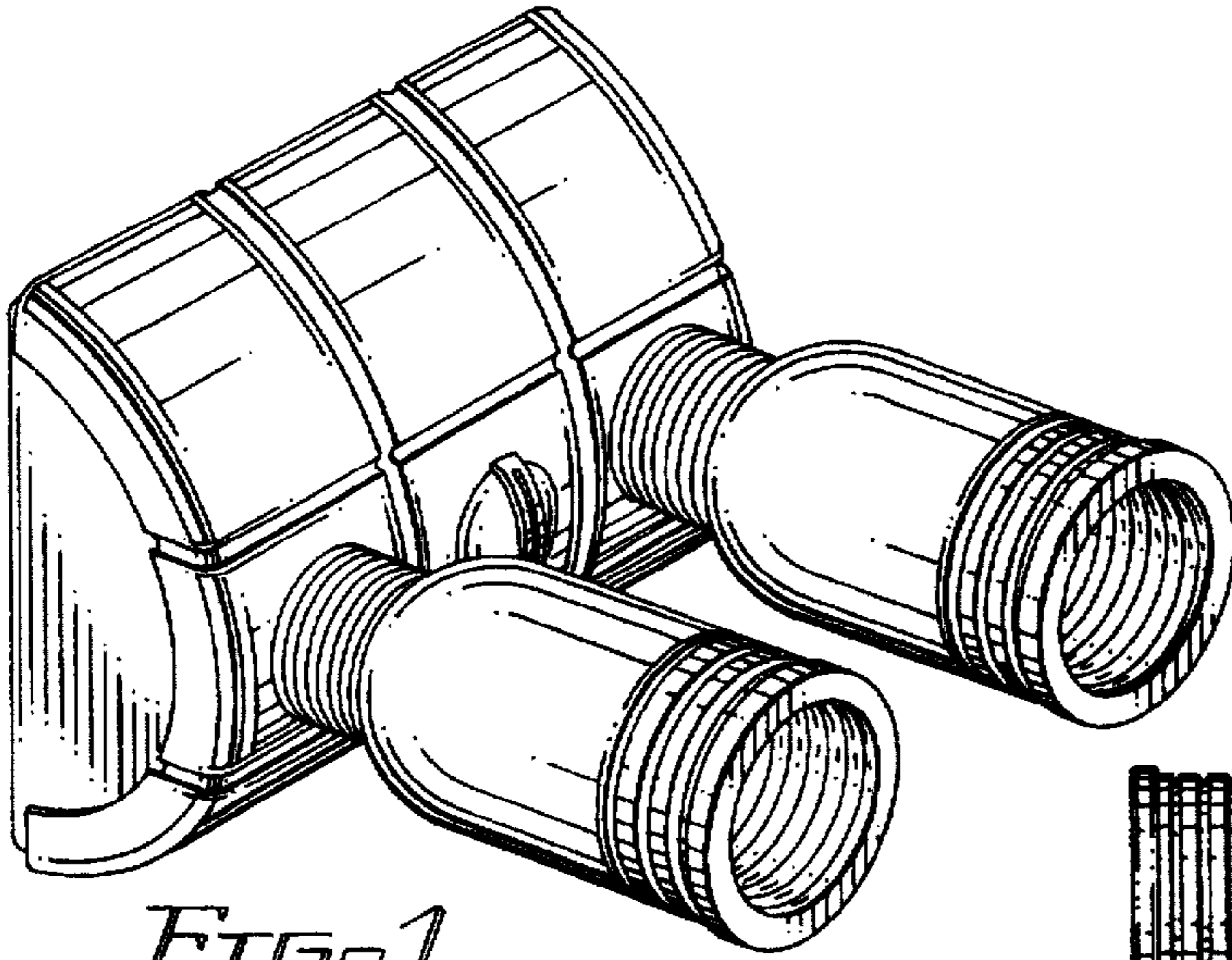


FIG. 1

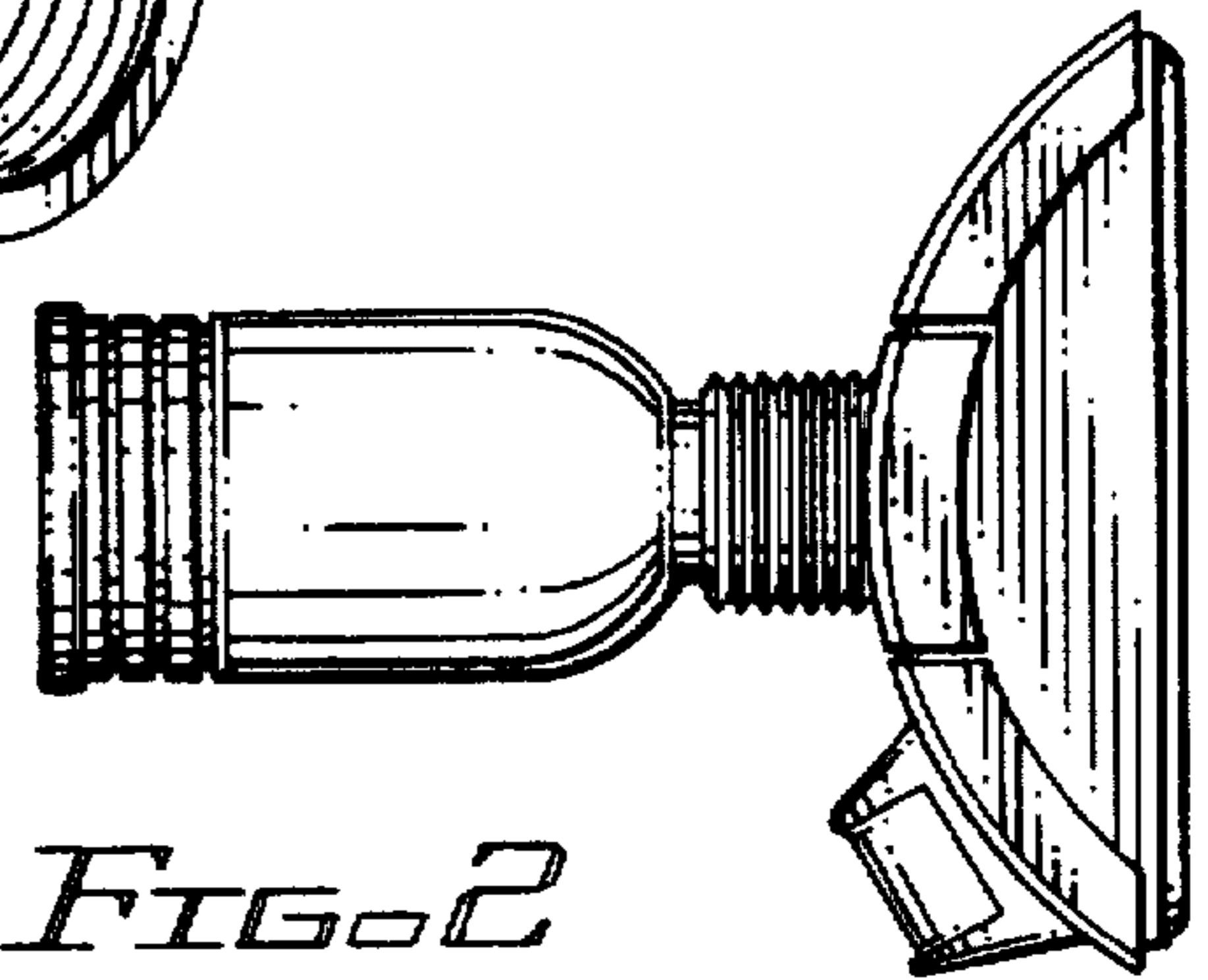


FIG. 2

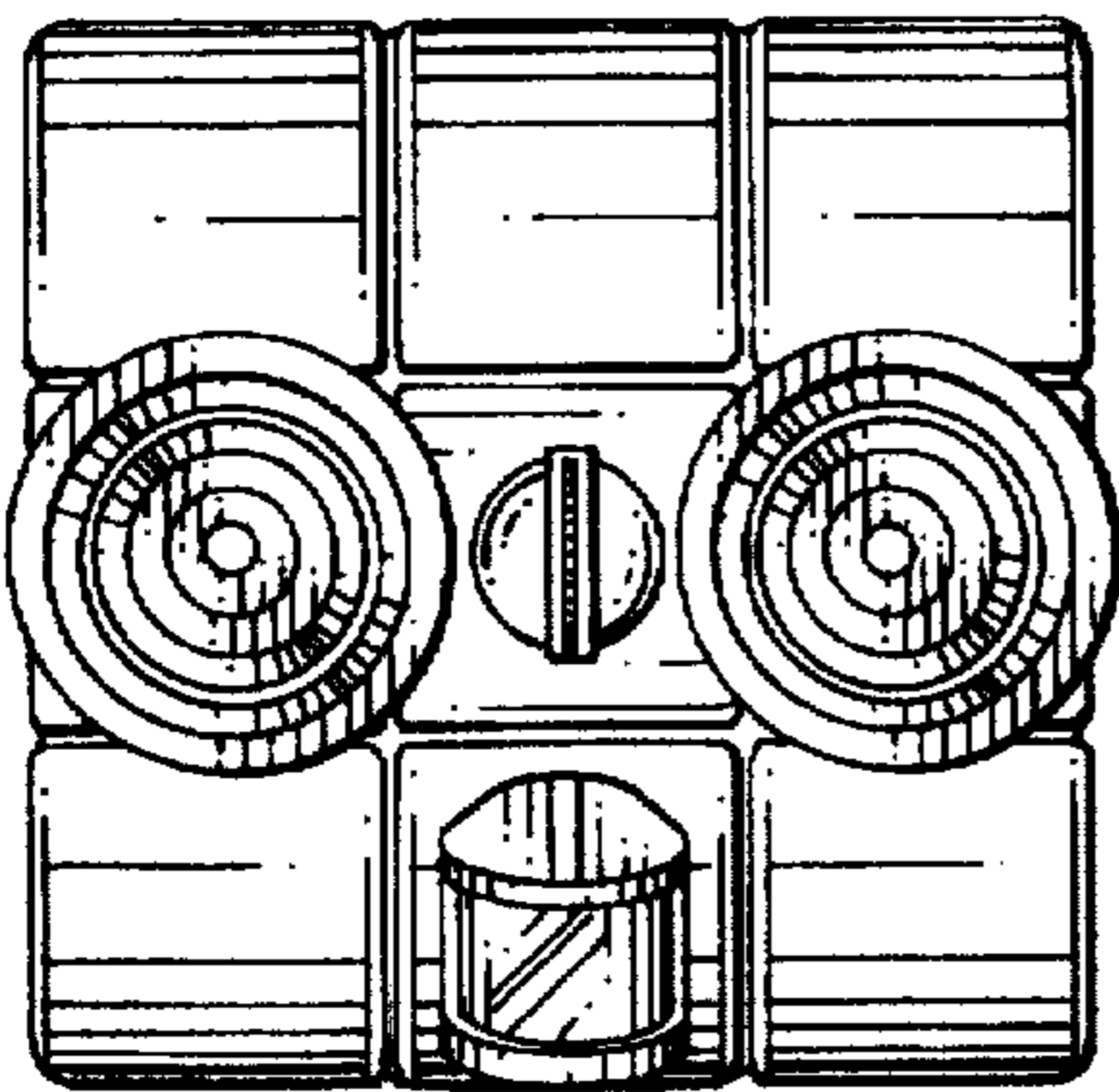


FIG. 3

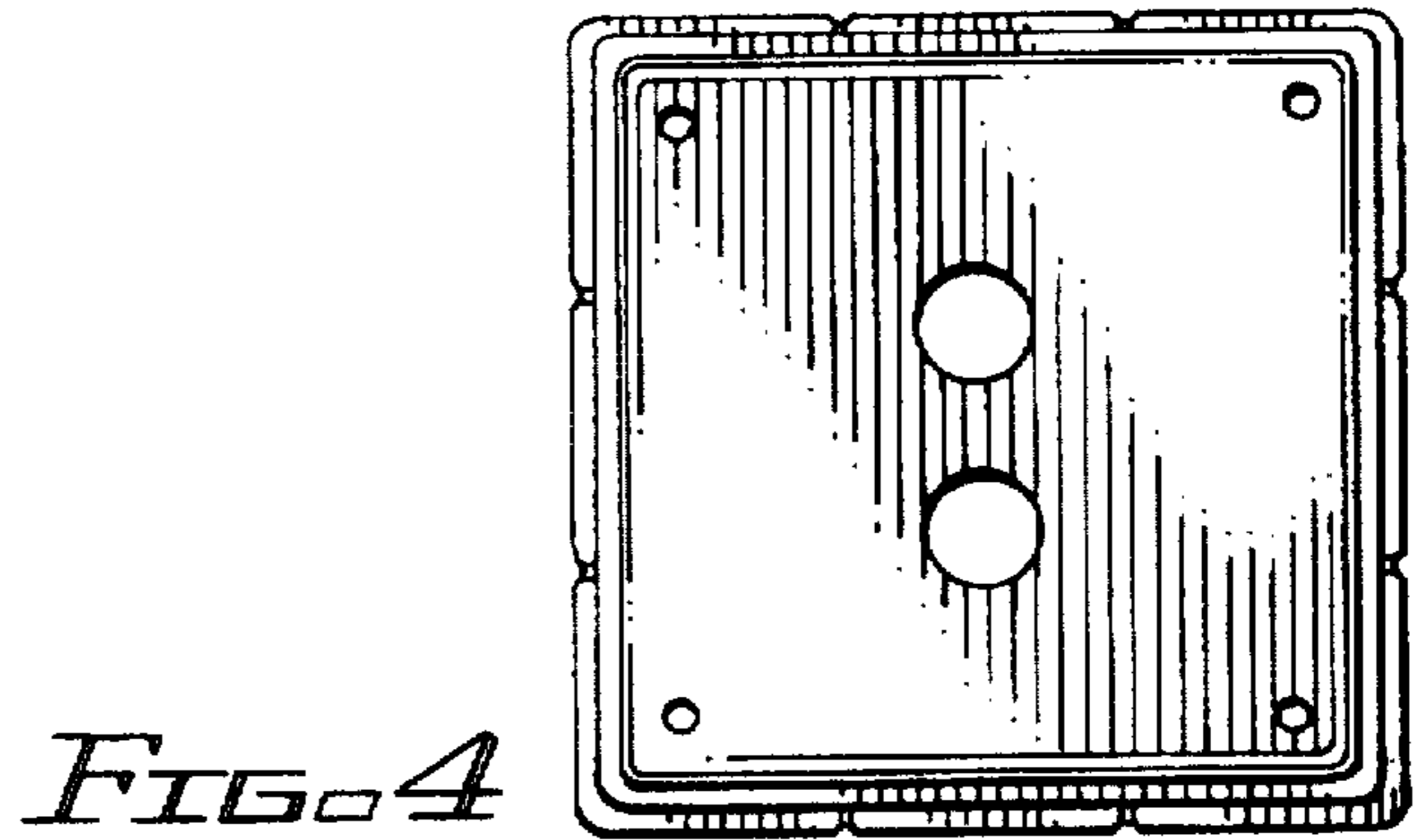


FIG. 4

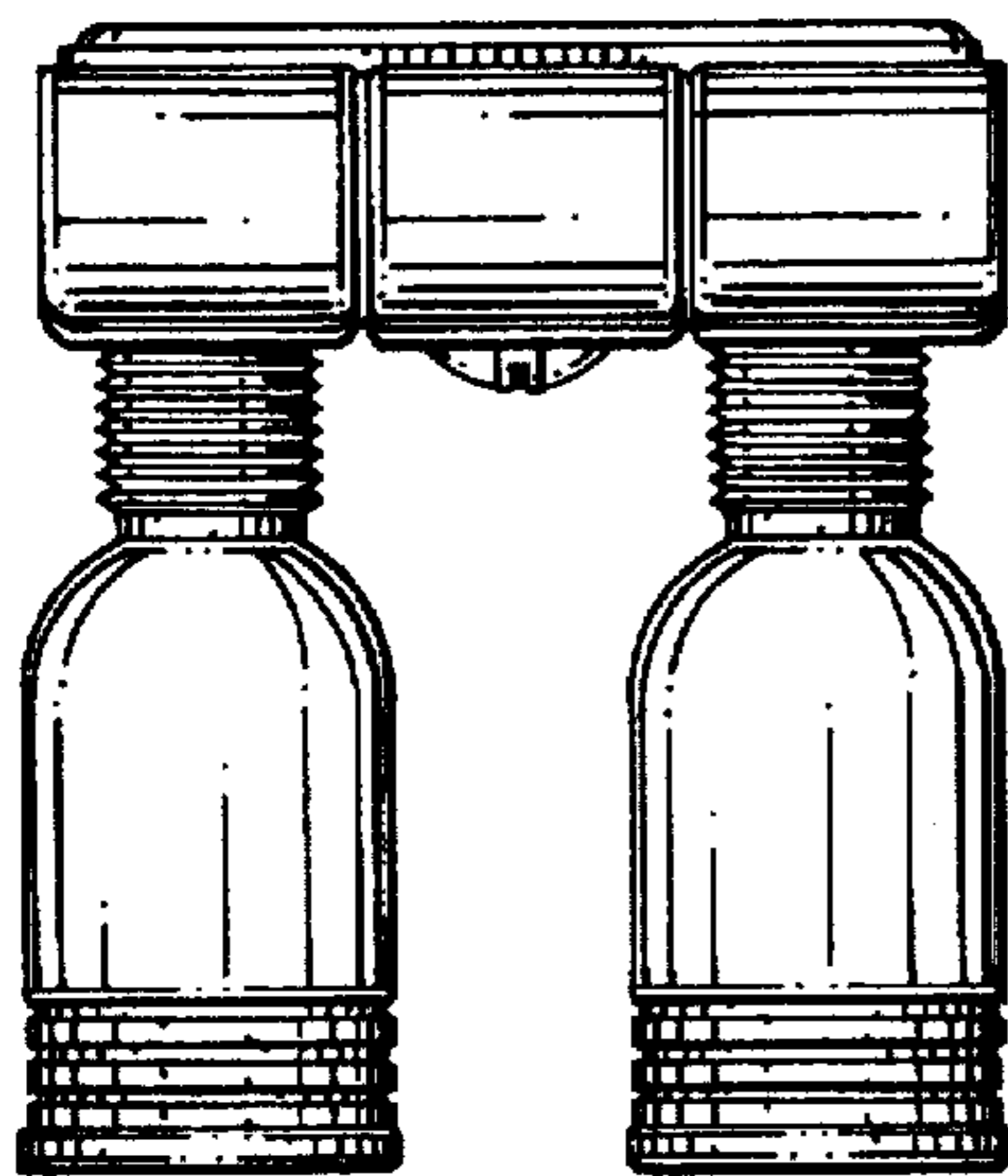


FIG. 5

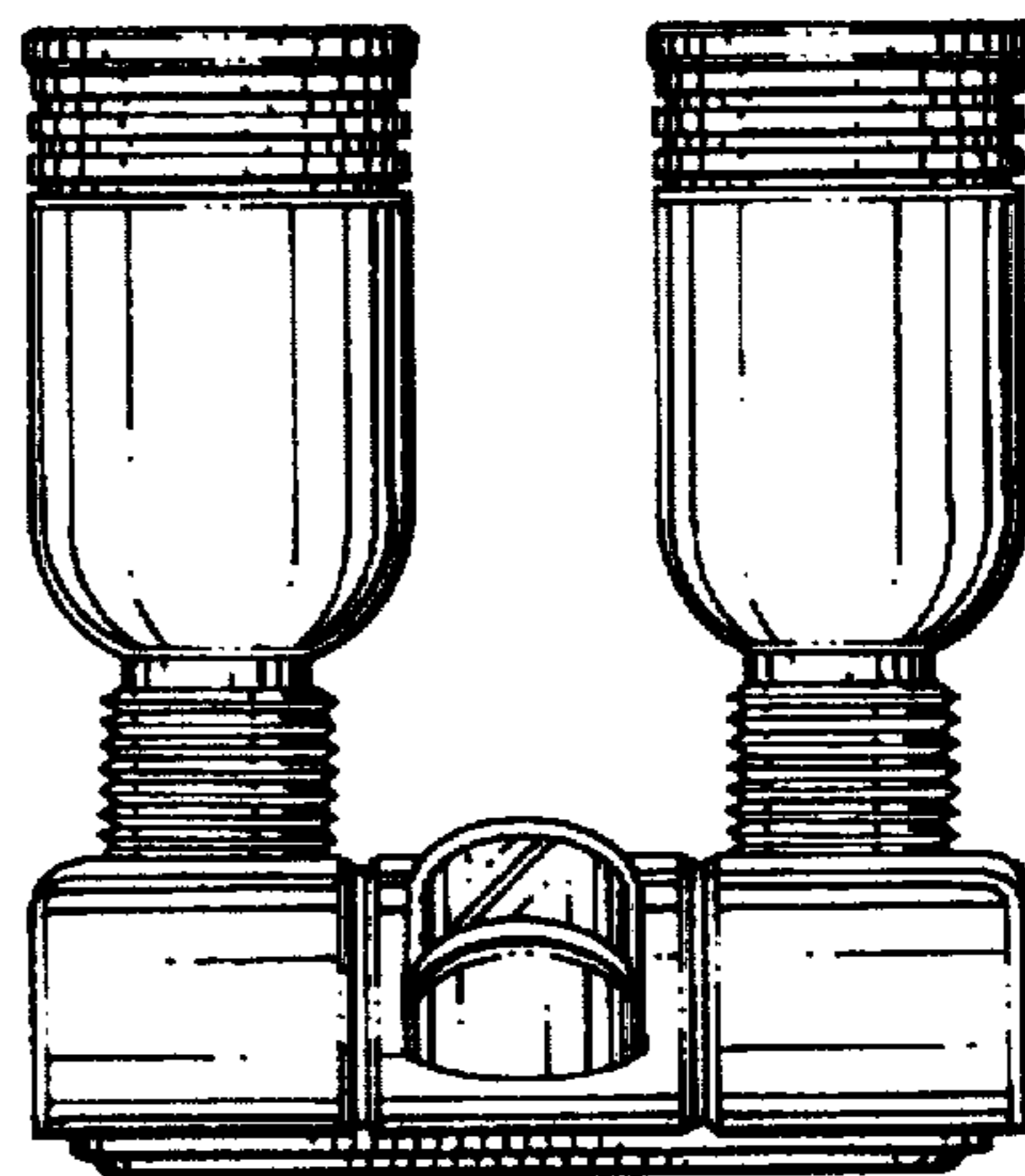


FIG. 6