



US00D392066S

United States Patent [19]

Morrow et al.

[11] Patent Number: Des. 392,066

[45] Date of Patent: **Mar. 10, 1998

- [54] SECURITY LIGHTING FIXTURE
- [75] Inventors: **James Morrow**, Oak Park; **Brian Day**, Des Plaines, both of Ill.; **Gary Van Deursen**, Evergreen, Colo.
- [73] Assignee: **Coleman Safety and Security Products, Inc.**, Downers Grove, Ill.
- [**] Term: **14 Years**

- [21] Appl. No.: **71,125**
- [22] Filed: **May 21, 1997**

- [51] LOC (6) Cl. **26-05**
- [52] U.S. Cl. **D26/65; D10/106; D26/62**
- [58] Field of Search **D26/61, 62, 63, D26/65; 362/269, 275, 287, 418, 419, 427, 394, 276, 421**

[56] **References Cited**

U.S. PATENT DOCUMENTS

D. 296,013	5/1988	Layne et al.	D26/61
D. 355,041	1/1995	Cham	D26/63
D. 360,960	8/1995	Wedell et al.	D26/63
5,258,899	11/1993	Chen	362/419 X

5,335,159	8/1994	Chen et al.	361/421
5,649,761	7/1997	Sandell et al.	362/421 X

OTHER PUBLICATIONS

Lighting Design and Application, p. 57, compact fluorescent luminaire, Jun. 1992.
 Nutone/Sterling lighting catalog, p. 91, fluorescent light grid, 1980.

Primary Examiner—Susan J. Lucas
Attorney, Agent, or Firm—James H. Phillips; Michael A. Lechter

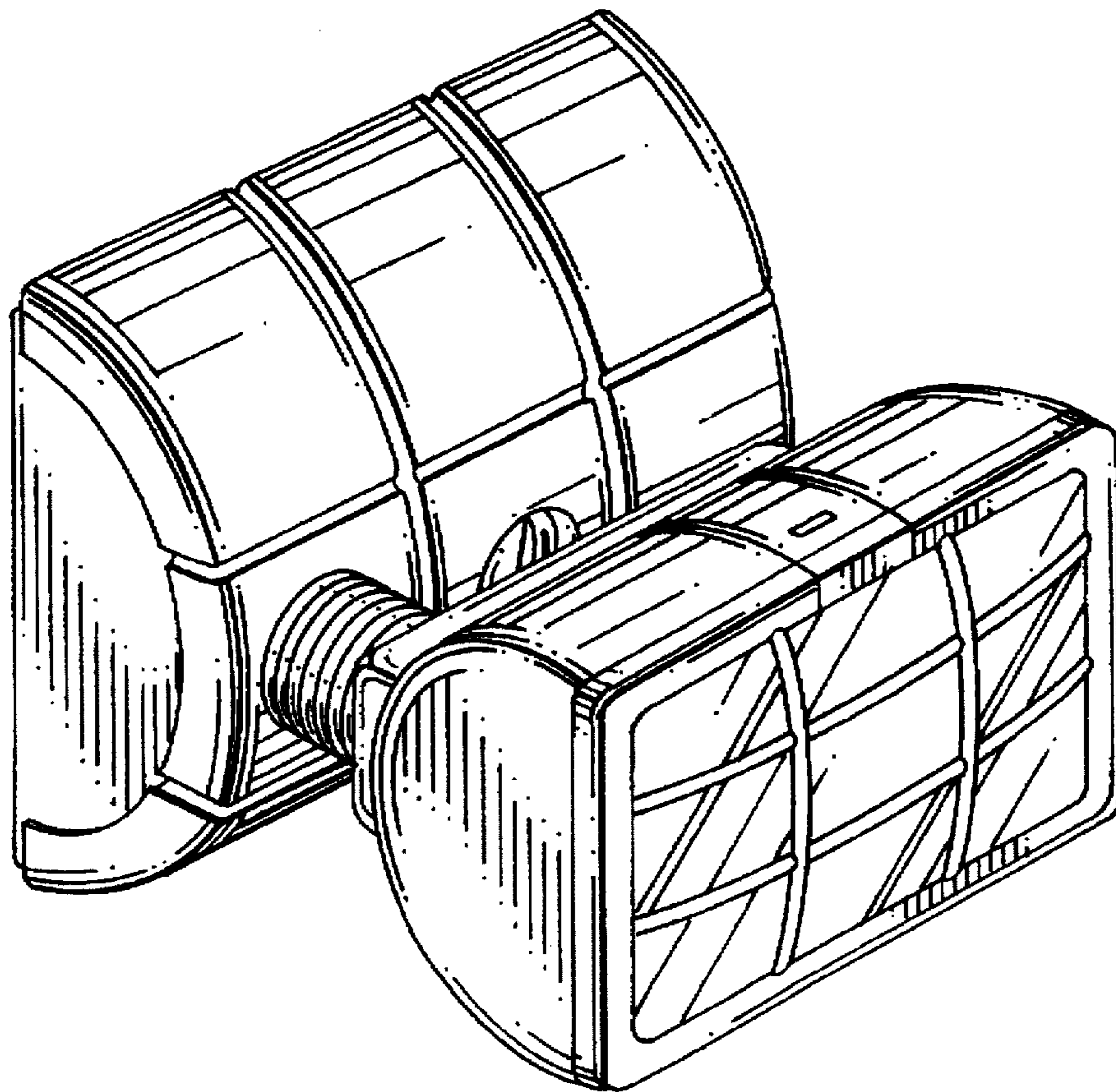
[57] **CLAIM**

The ornamental design for security lighting fixture, as shown and described.

DESCRIPTION

FIG. 1 is a perspective view of our design;
 FIG. 2 is a side view of our design;
 FIG. 3 is a front view of our design;
 FIG. 4 is a rear view of our design;
 FIG. 5 is a top view of our design; and,
 FIG. 6 is a bottom view of our design.

1 Claim, 1 Drawing Sheet



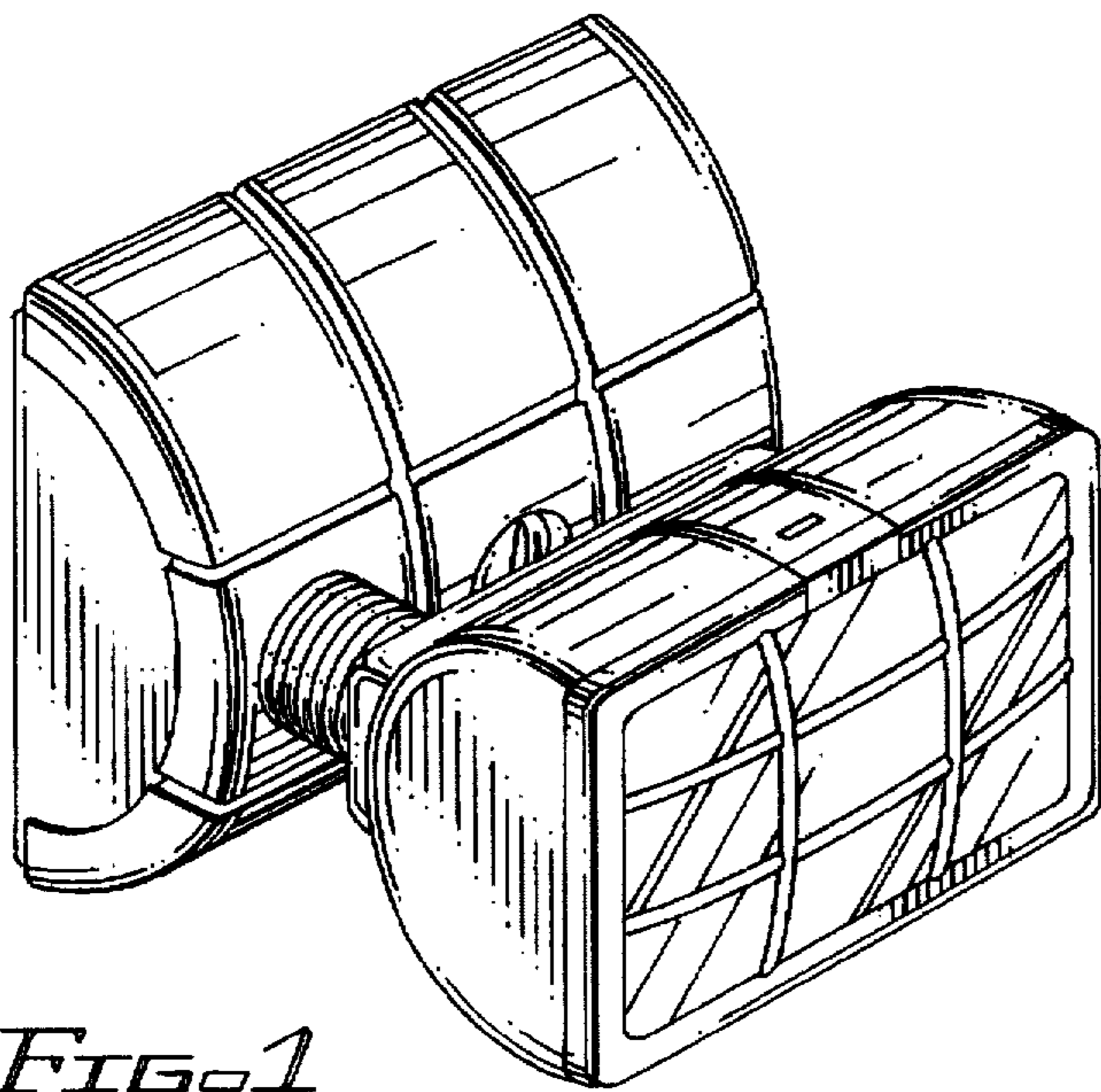


FIG. 1

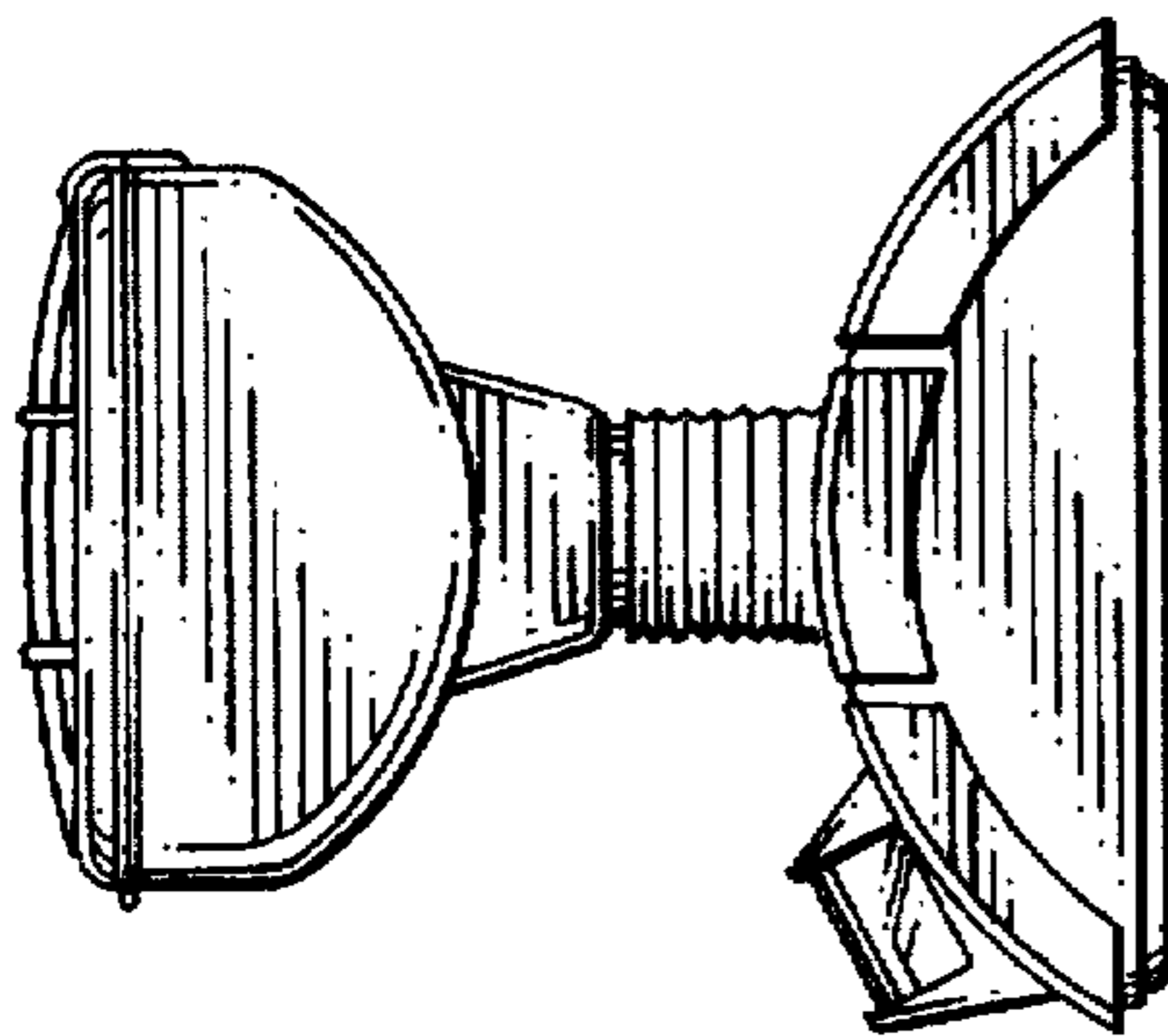


FIG. 2

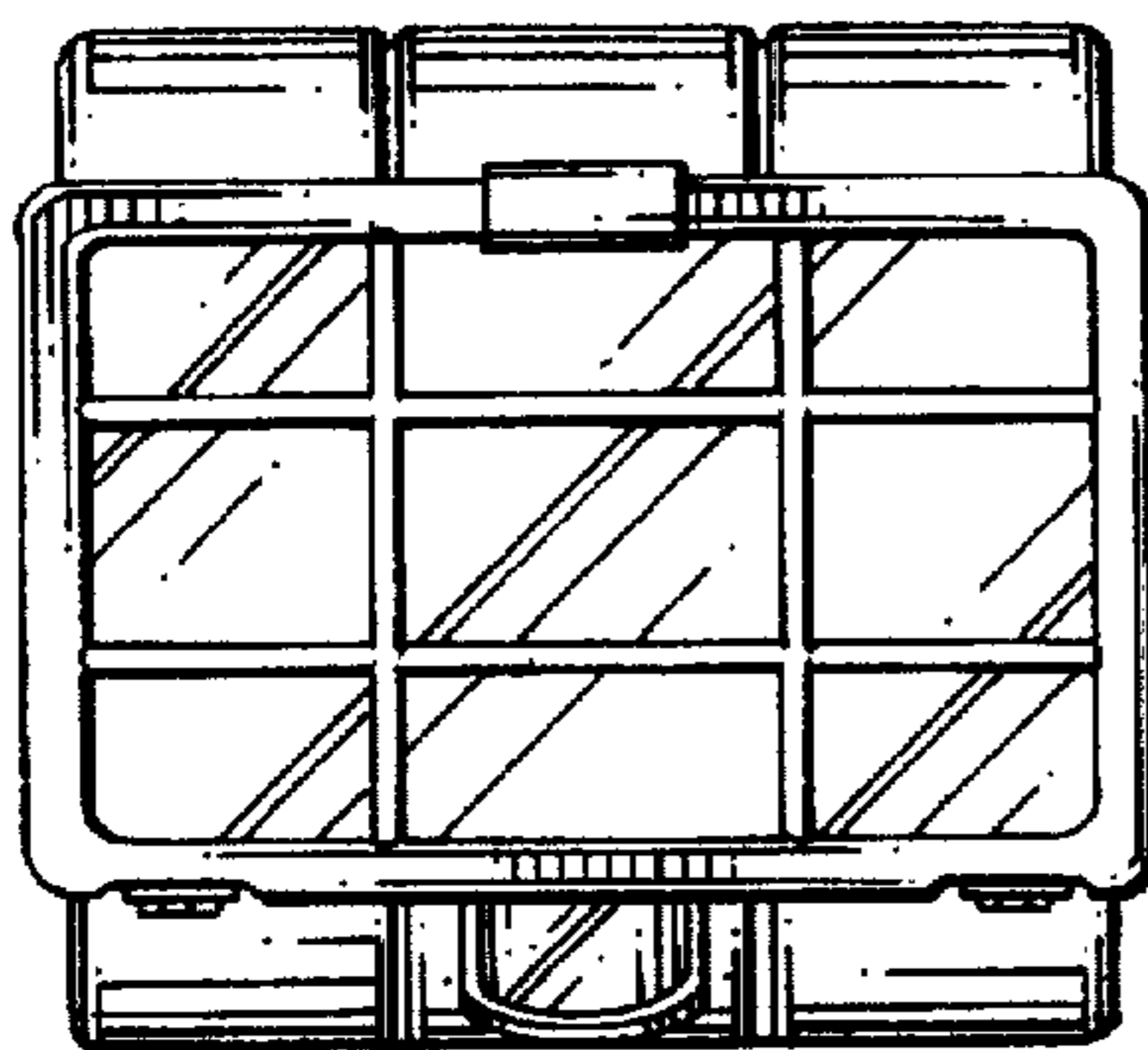


FIG. 3

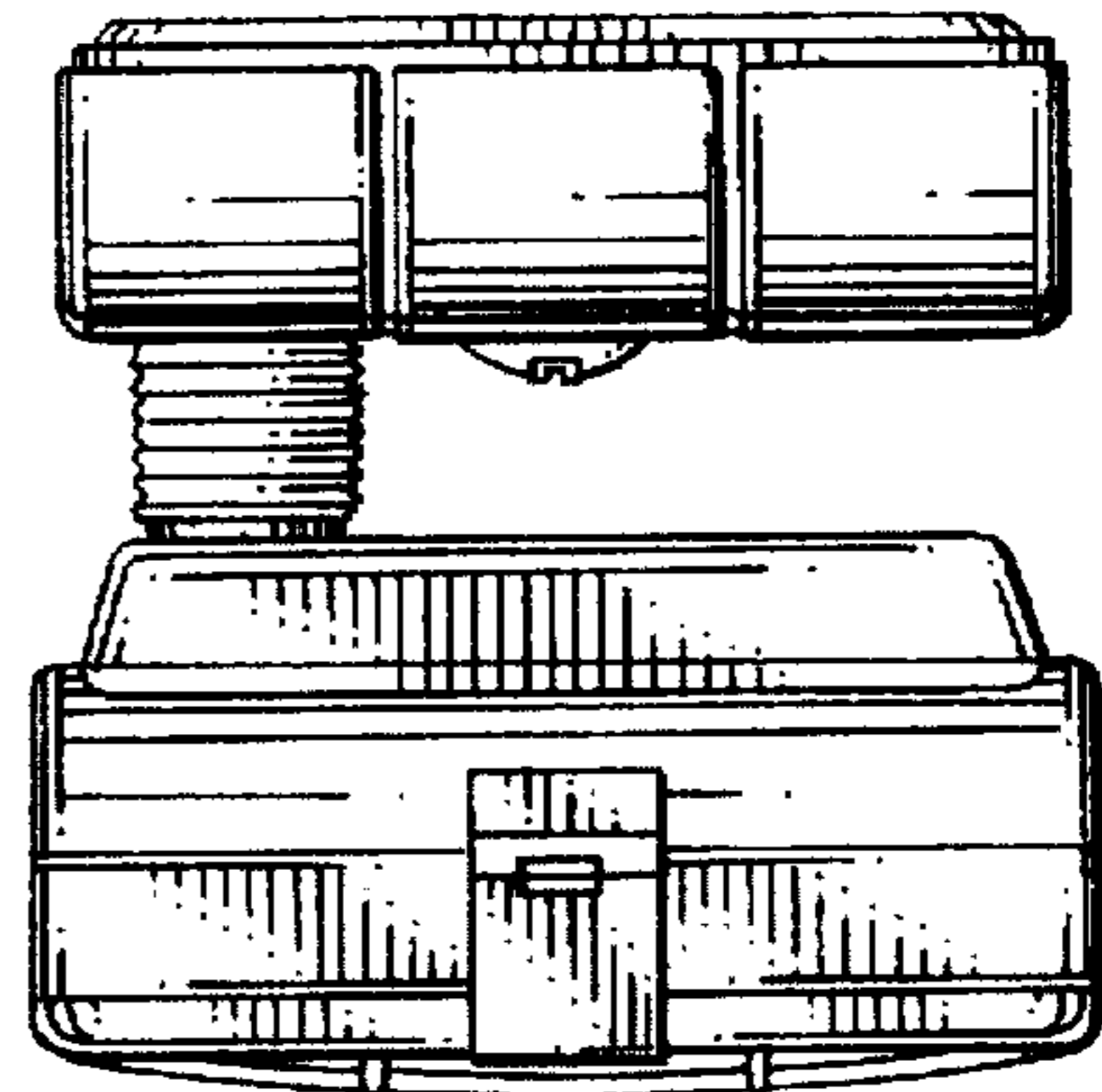


FIG. 5

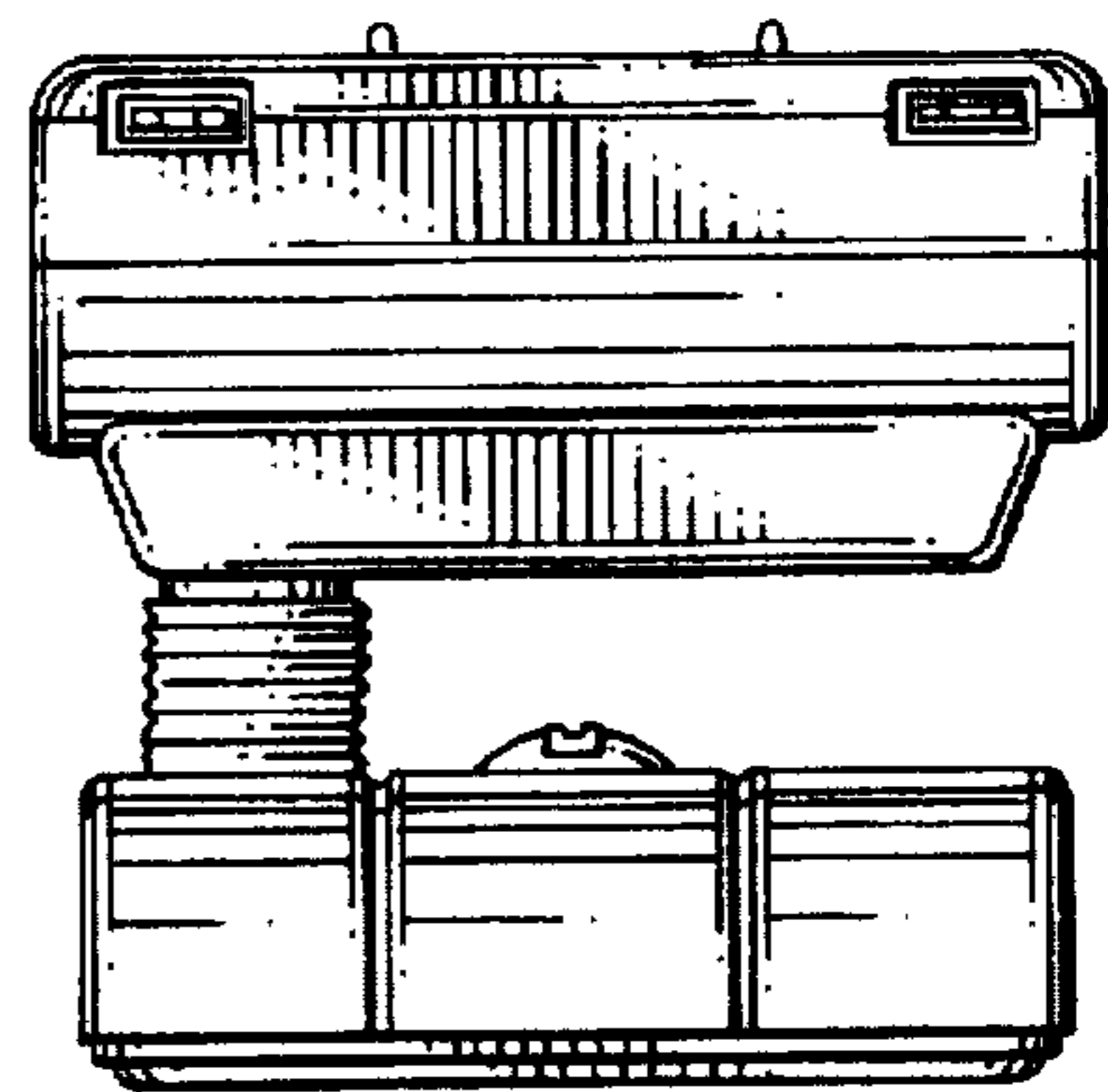


FIG. 6

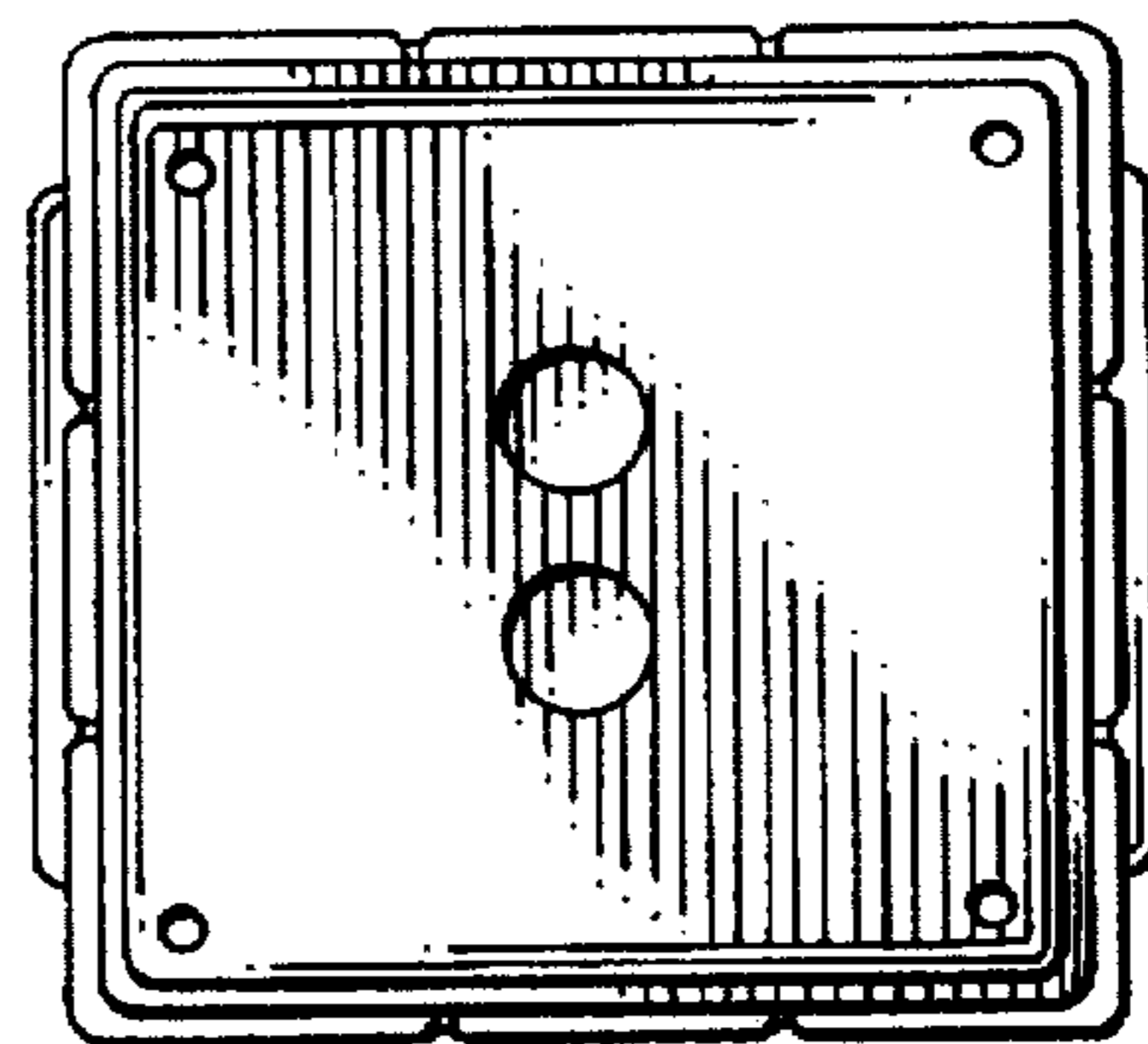


FIG. 4