



US00D392065S

United States Patent [19]

Morrow et al.

[11] Patent Number: Des. 392,065

[45] Date of Patent: **Mar. 10, 1998

[54] SECURITY LIGHTING FIXTURE

5,335,159 8/1994 Chen 362/421
5,649,761 7/1997 Sandell et al. 362/421 X

[75] Inventors: James Morrow, Oak Park; Brian Day, Des Plaines, both of Ill.; Gary Van Deursen, Evergreen, Colo.

OTHER PUBLICATIONS

Nutone/Sterling lighting catalog, p. 91, fluorescent ceiling light grid, spot light box, 1980.
Yorklite Electronics catalog, p. 4, Geminilux emergency light, spotlight boox, Jun. 1994.

[73] Assignee: Coleman Safety and Security Products, Inc., Downers Grove, Ill.

Primary Examiner—Susan J. Lucas
Attorney, Agent, or Firm—James H. Phillips; Michael A. Lechter

[**] Term: 14 Years

[21] Appl. No.: 71,124

[57] CLAIM

[22] Filed: May 21, 1997

The ornamental design for security lighting fixture, as shown and described.

[51] LOC (6) Cl. 26-05

DESCRIPTION

[52] U.S. Cl. D26/65; D10/106; D26/62

FIG. 1 is a perspective view of our design;
FIG. 2 is a side view of our design;
FIG. 3 is a front view of our design;
FIG. 4 is a rear view of our design;
FIG. 5 is a top view of our design; and
FIG. 6 is a bottom view of or design.

[58] Field of Search D26/61, 62, 63, D26/65; 362/269, 275, 287, 418, 419, 421, 427, 276, 394; D10/106

[56] References Cited

U.S. PATENT DOCUMENTS

D. 360,960 8/1995 Wedell et al. D26/63
5,258,899 11/1993 Chen 362/419 X

1 Claim, 1 Drawing Sheet

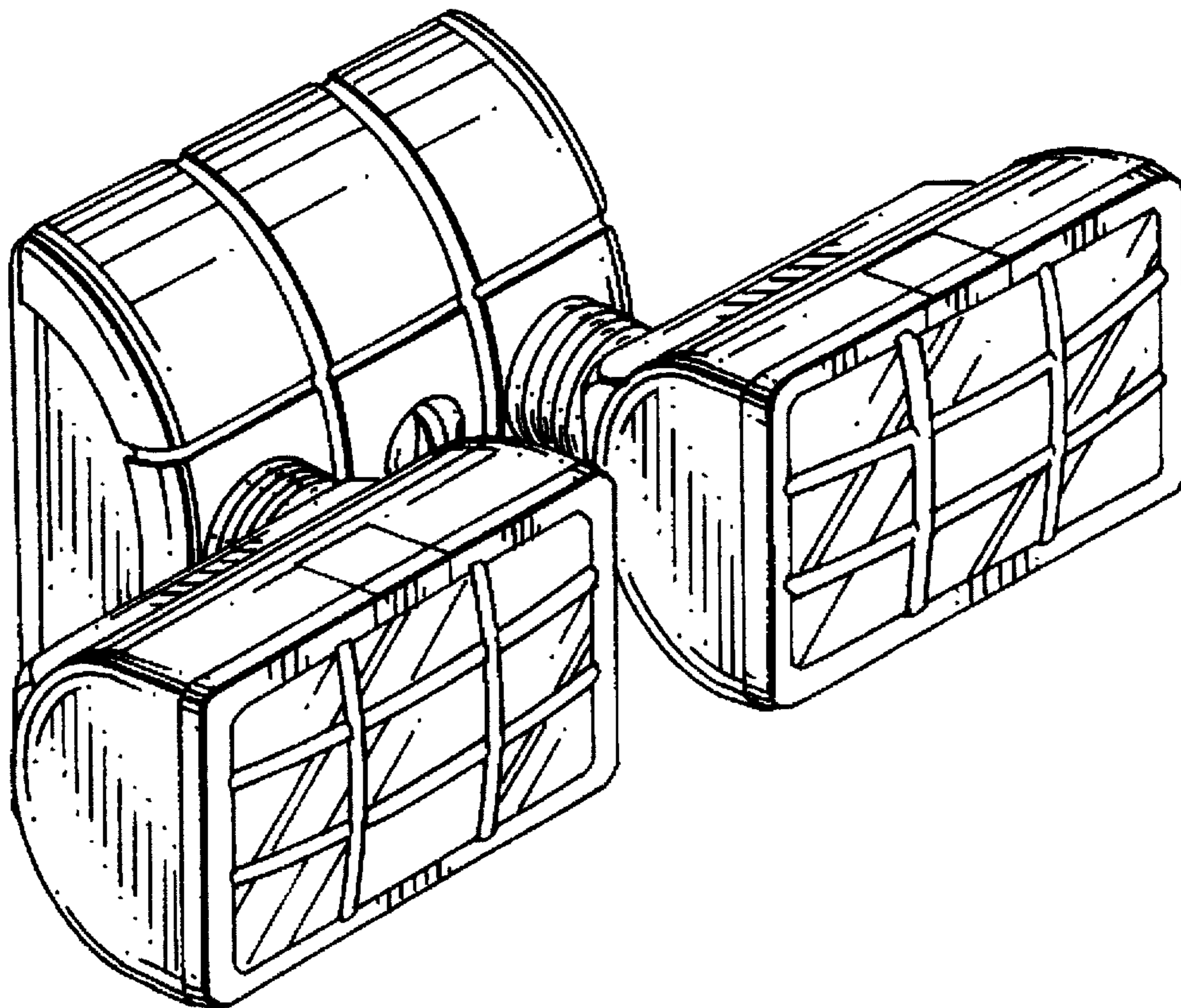


FIG. 1

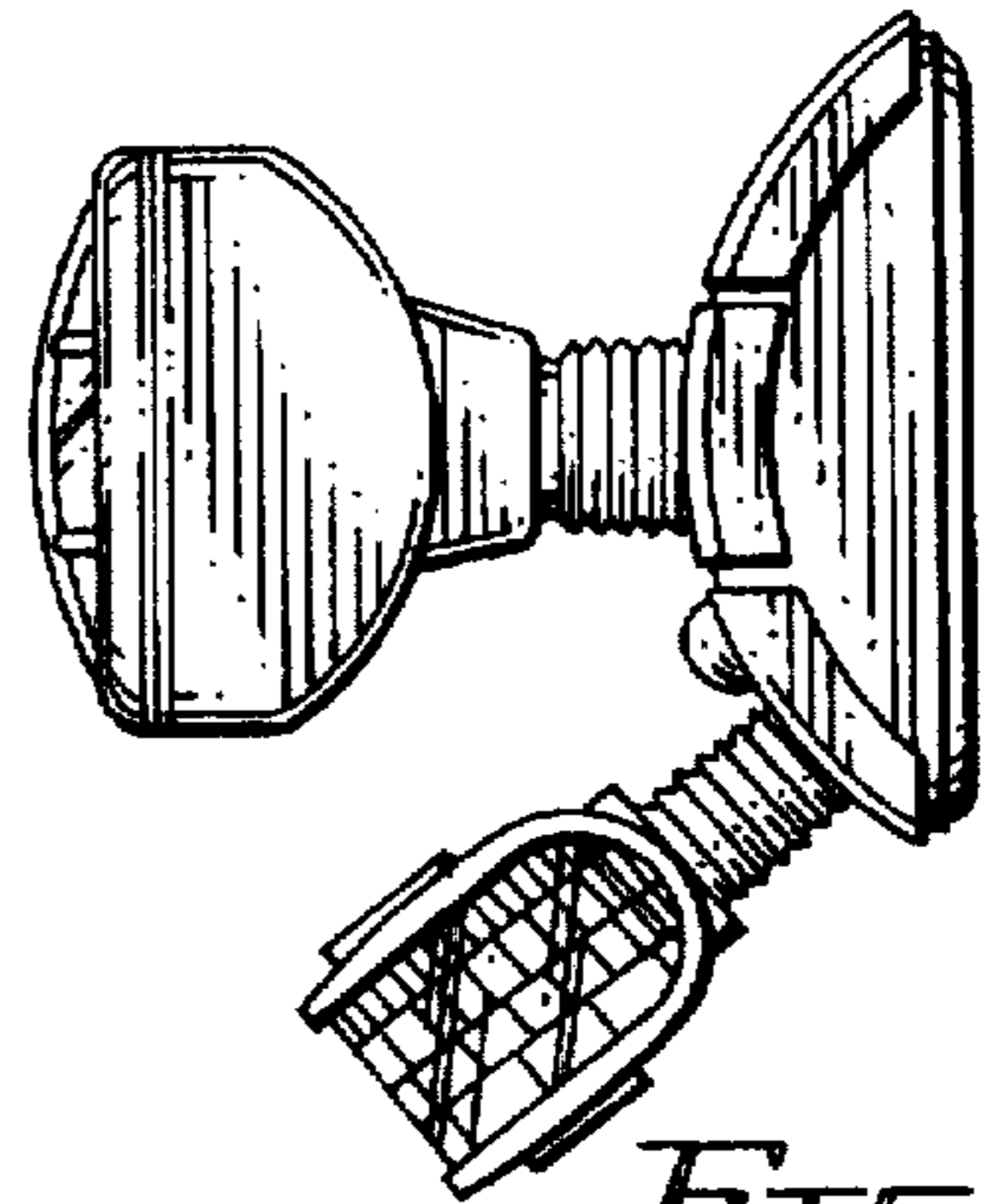
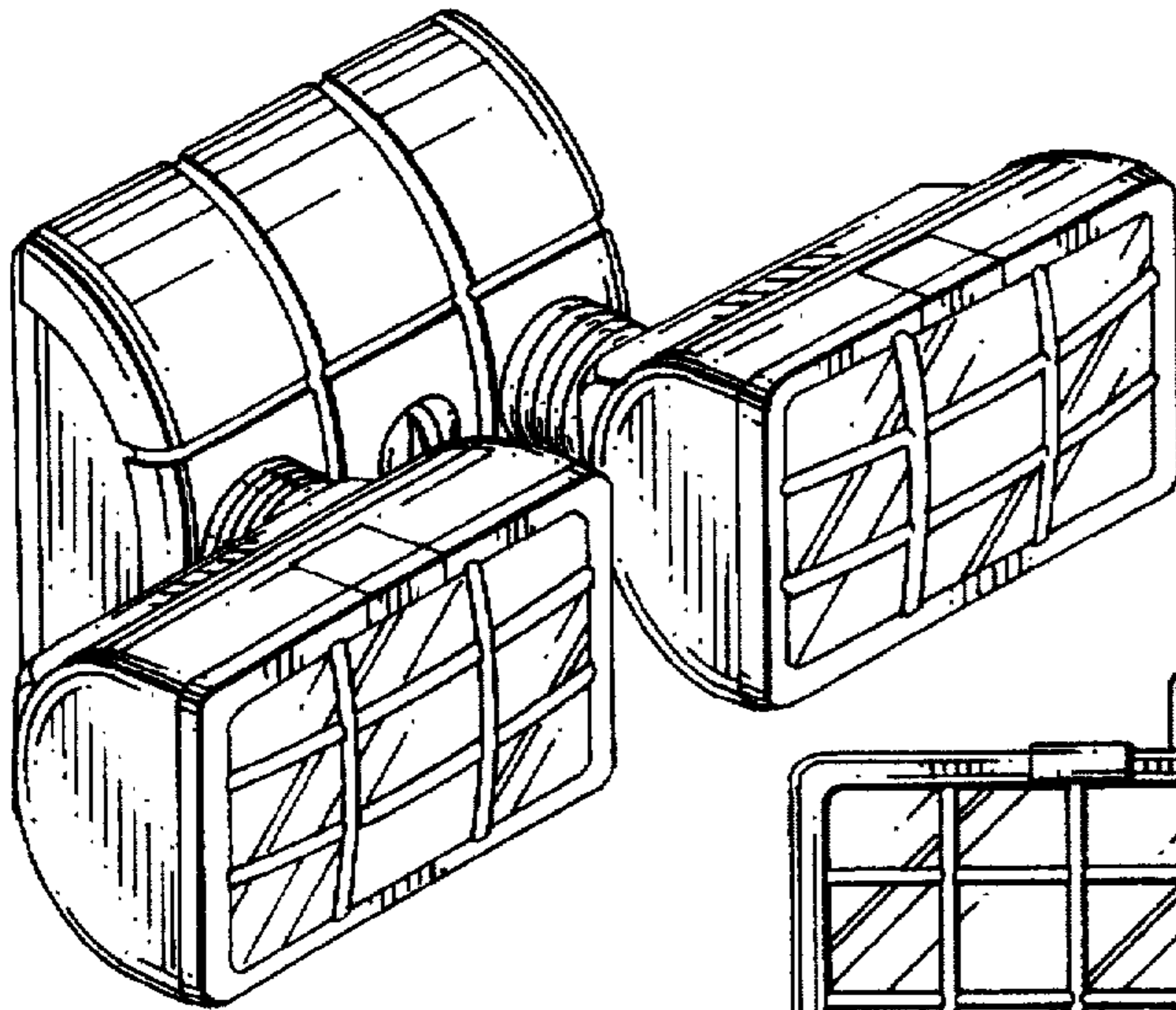


FIG. 2

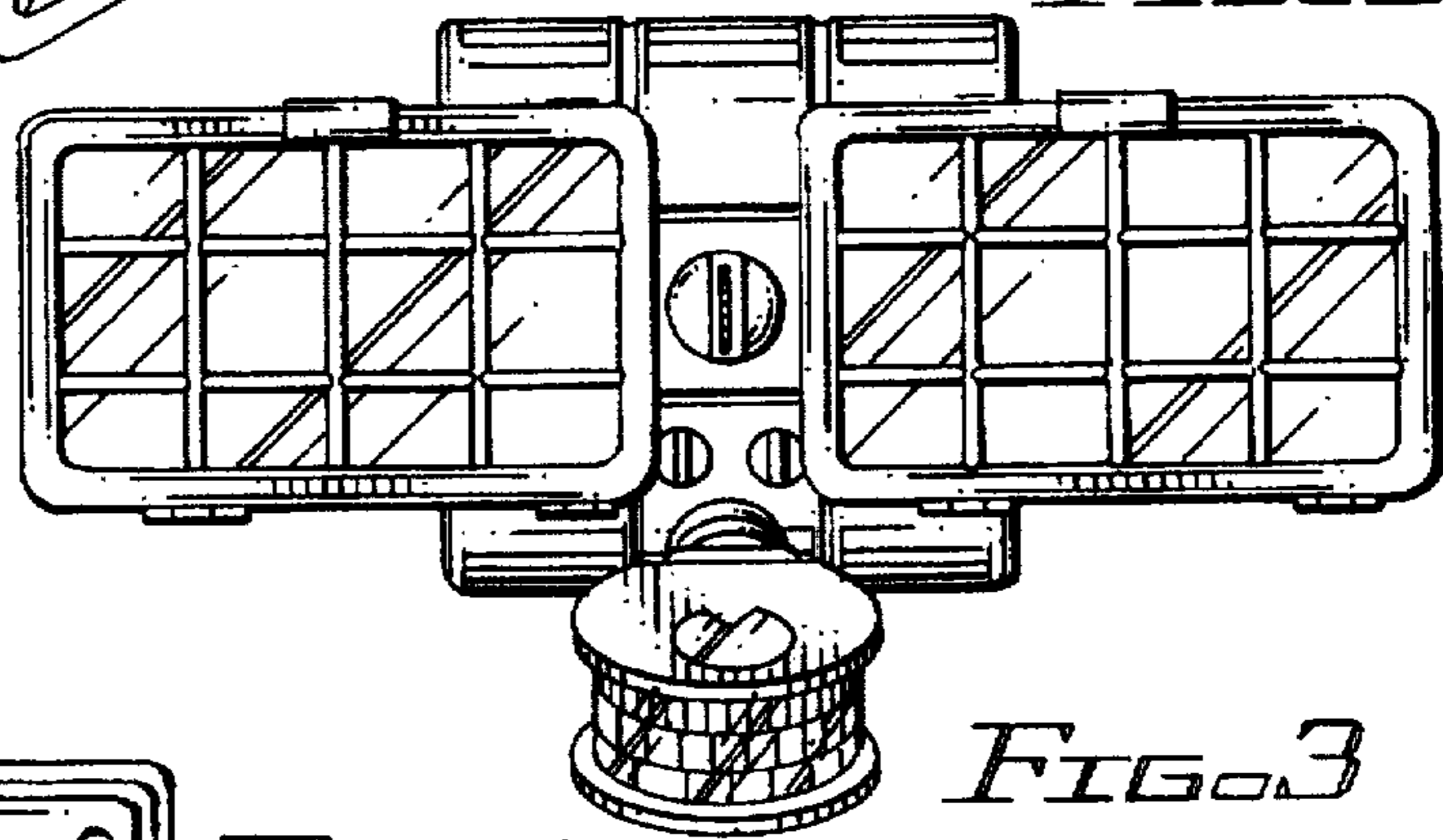


FIG. 3

FIG. 4

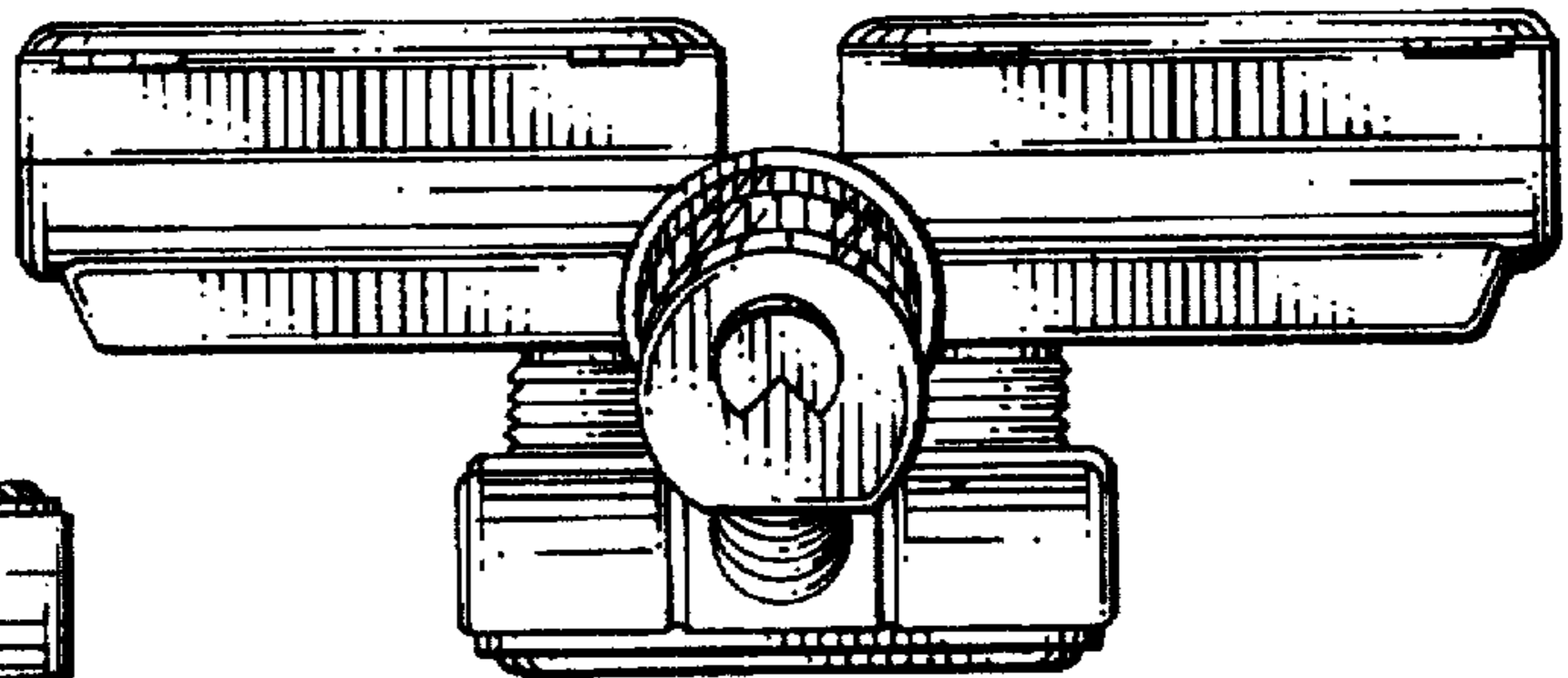
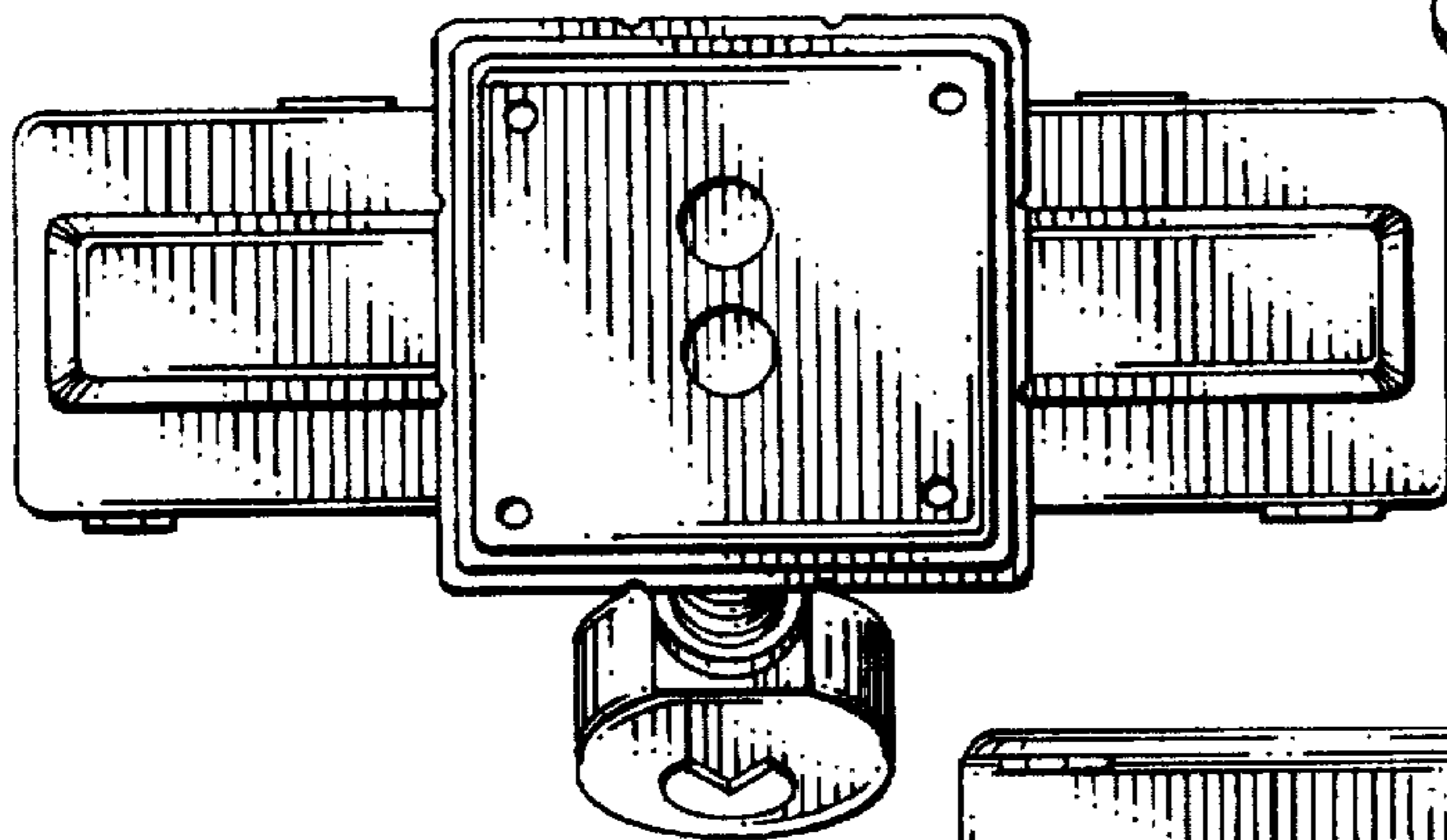


FIG. 6

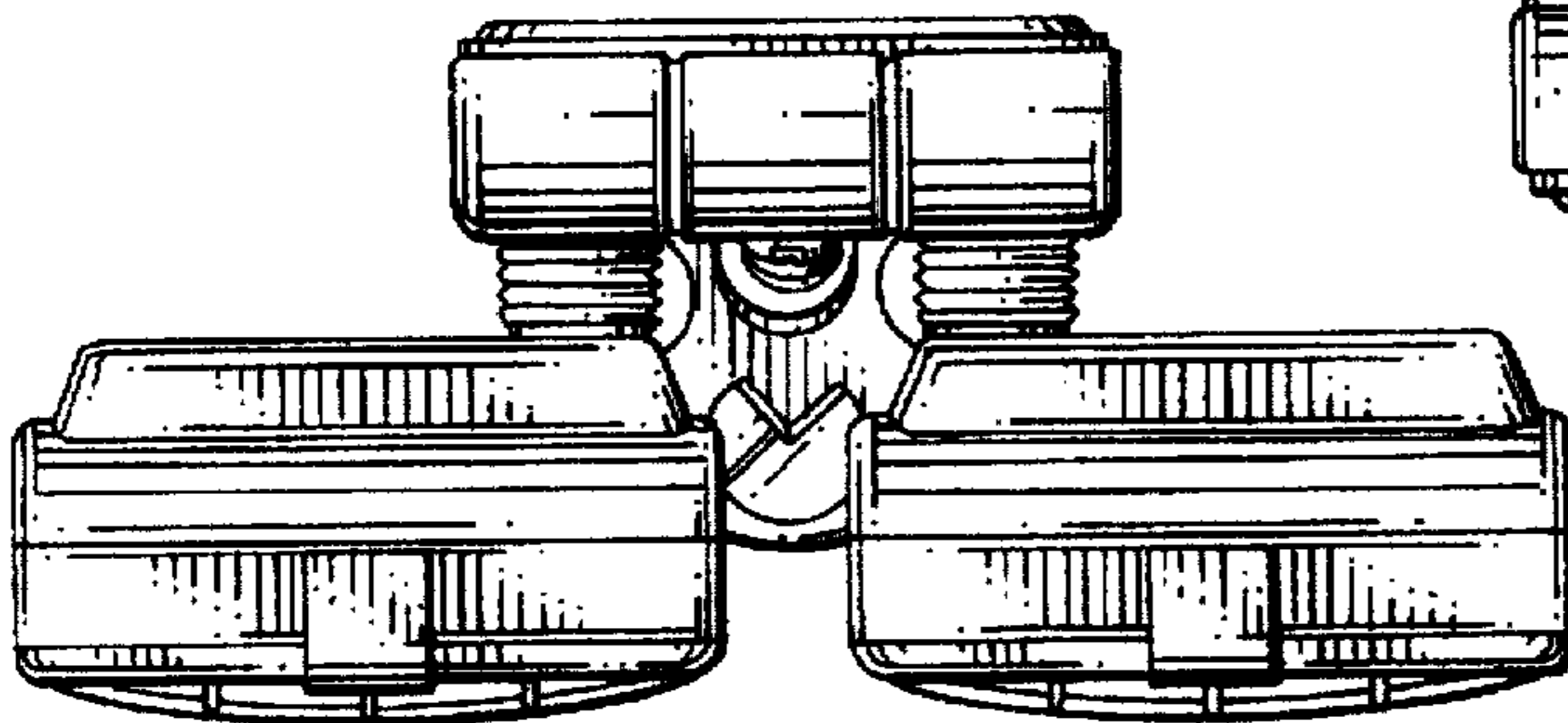


FIG. 5