



US00D392061S

United States Patent [19]
Lo

[11] **Patent Number:** **Des. 392,061**
[45] **Date of Patent:** ****Mar. 10, 1998**

- [54] **LANTERN**
- [75] **Inventor:** **Ying-Hoi Lo**, New Territories, Hong Kong
- [73] **Assignee:** **Lomak Industrial Co., Ltd.**, Hong Kong, Hong Kong
- [**] **Term:** **14 Years**
- [21] **Appl. No.:** **59,560**
- [22] **Filed:** **Sep. 13, 1996**
- [51] **LOC (6) Cl.** **26-02**
- [52] **U.S. Cl.** **D26/42**
- [58] **Field of Search** **D26/37-50; 362/157, 362/158, 183-208**

- D. 312,317 11/1990 Jang D26/42
- D. 374,098 9/1996 Lo D26/37
- D. 374,296 10/1996 Lo D26/37

Primary Examiner—Marcus A. Jackson
Attorney, Agent, or Firm—Burns, Doane, Swecker & Mathis, L.L.P.

[57] **CLAIM**

The ornamental design for a "lantern", as shown and described.

DESCRIPTION

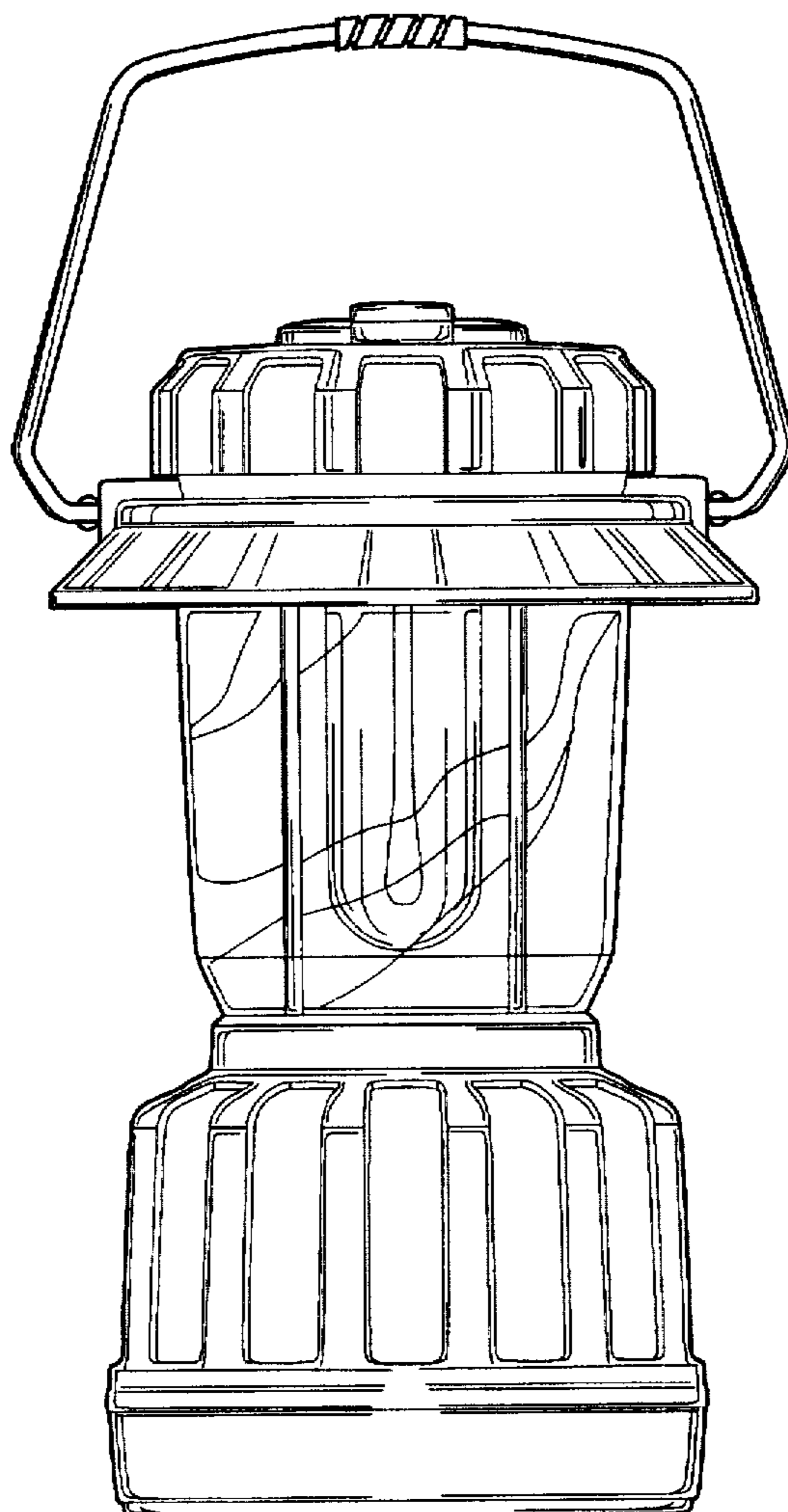
FIG. 1 is a front view of a "lantern" showing my design; the rear view corresponds;
FIG. 2 is a left side view thereof, and right side view corresponds;
FIG. 3 is a top plan view thereof; and,
FIG. 4 is a bottom plan view thereof.

[56] **References Cited**

U.S. PATENT DOCUMENTS

- D. 311,964 11/1990 Wan D26/40

1 Claim, 4 Drawing Sheets



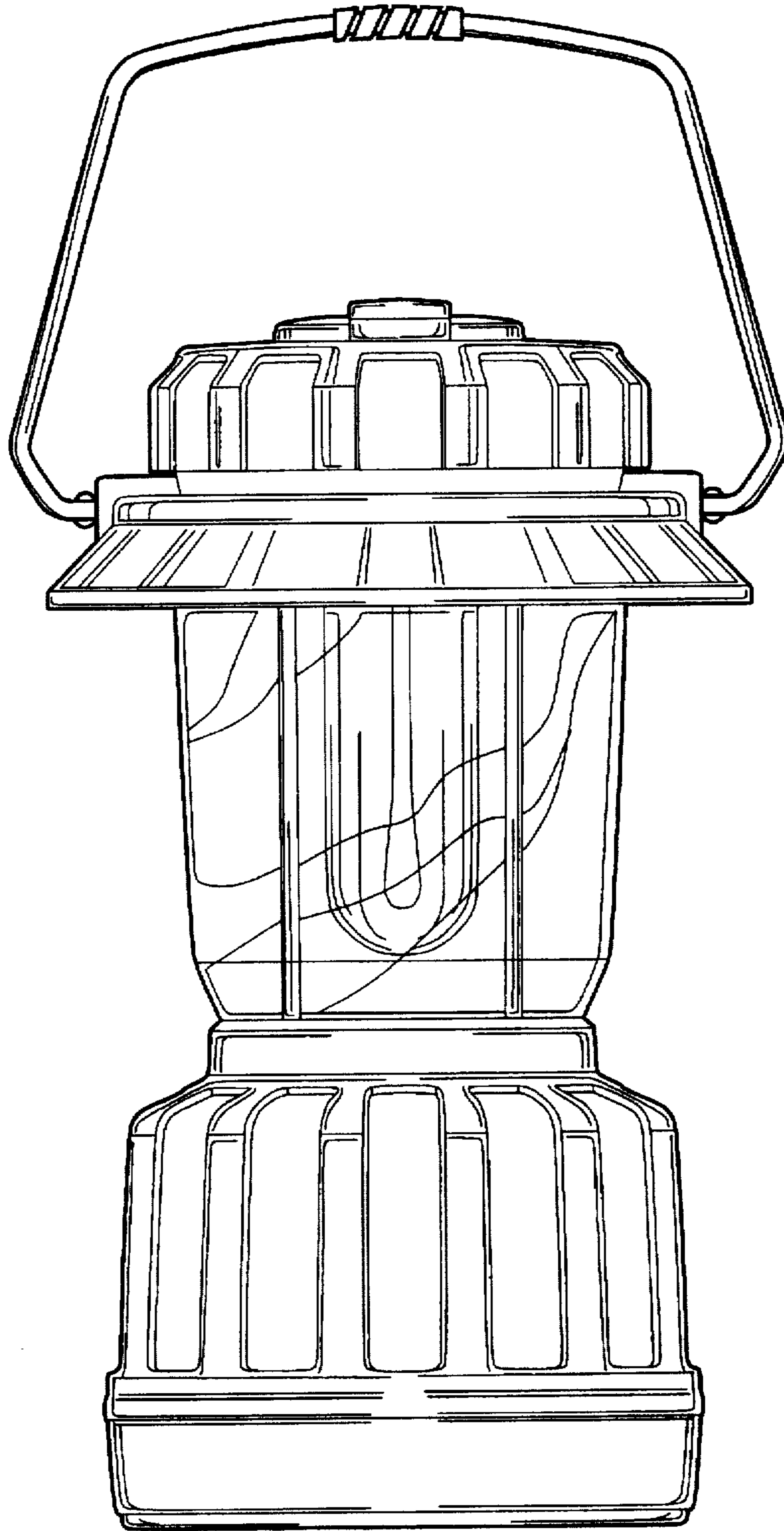


FIG. 1

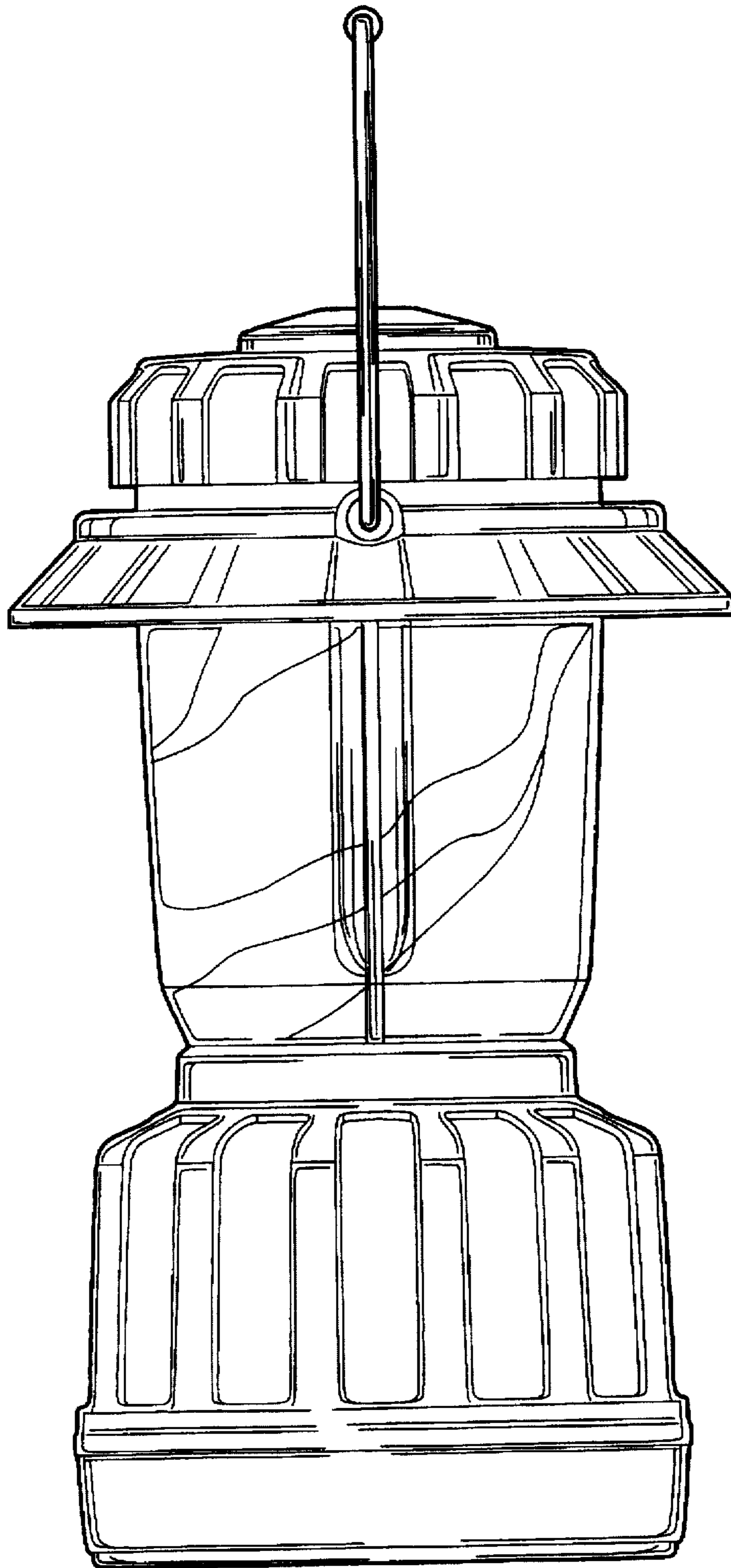


FIG. 2

FIG. 3

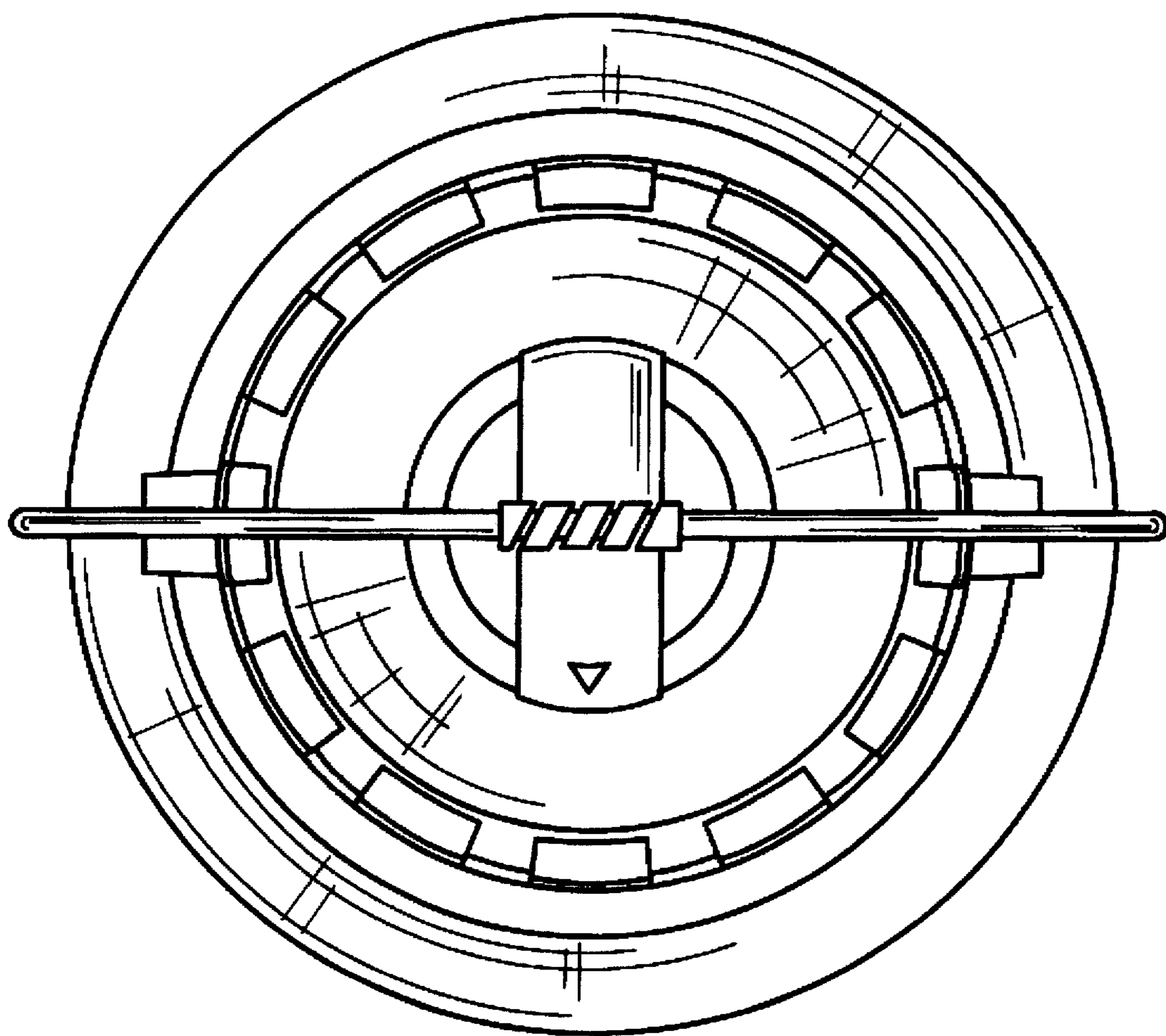


FIG. 4

