



US00D392055S

United States Patent [19]

Pelosi et al.

[11] Patent Number: **Des. 392,055**

[45] Date of Patent: *****Mar. 10, 1998**

[54] **PREHUNG GAUGED COVE BASE**

[76] Inventors: **Lee J. Pelosi; Frank Pelosi, Jr.**, both of 625 E. Chapel Ave., Cherry Hill, N.J. 08034

[*] Notice: The portion of the term of this patent subsequent to Aug. 6, 2010, has been disclaimed.

[**] Term: **14 Years**

[21] Appl. No.: **6,350**

[22] Filed: **Mar. 24, 1993**

[51] **LOC (6) Cl.** **25-01**

[52] **U.S. Cl.** **D25/136**

[58] **Field of Search** D25/136, 119, D25/55; 52/287.1, 288.1, 290, 716.1, 716.6

[56] **References Cited**

U.S. PATENT DOCUMENTS

4,845,910 7/1989 Hanson et al. 52/287.1
5,010,703 4/1991 Pearlman et al. 52/288

Primary Examiner—Doris Clark
Attorney, Agent, or Firm—Norman E. Lehrer

[57] **CLAIM**

The ornamental design for a “prehung gauged cove base”, as shown and described.

DESCRIPTION

FIG. 1 is a front bottom perspective view of a prehung gauged cove base showing our new design;

FIG. 2 is a left side elevational view thereof;

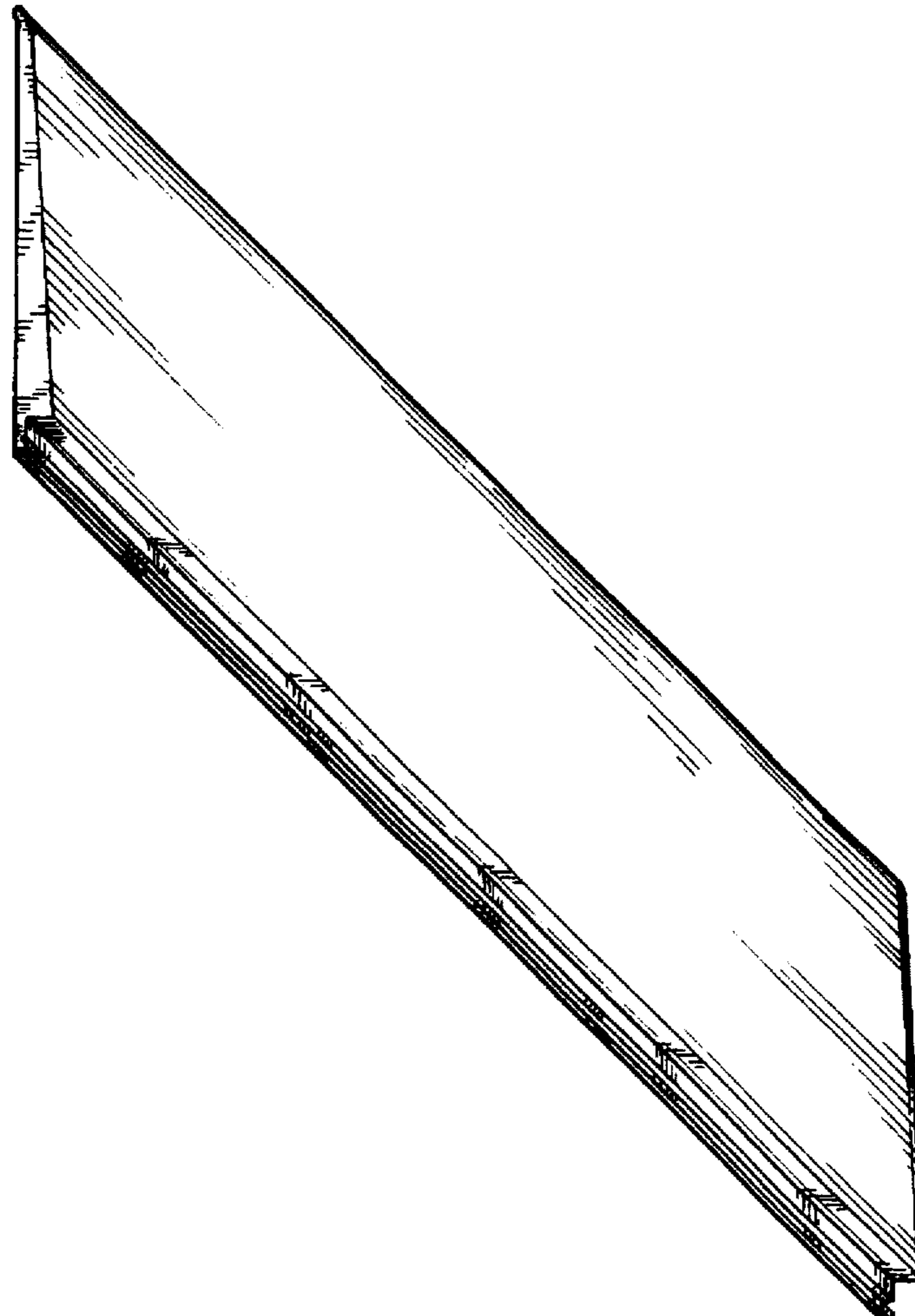
FIG. 3 is a front elevational view thereof;

FIG. 4 is a rear top perspective view thereof;

FIG. 5 is a right side elevational view thereof; and,

FIG. 6 is a rear elevational view thereof.

1 Claim, 2 Drawing Sheets



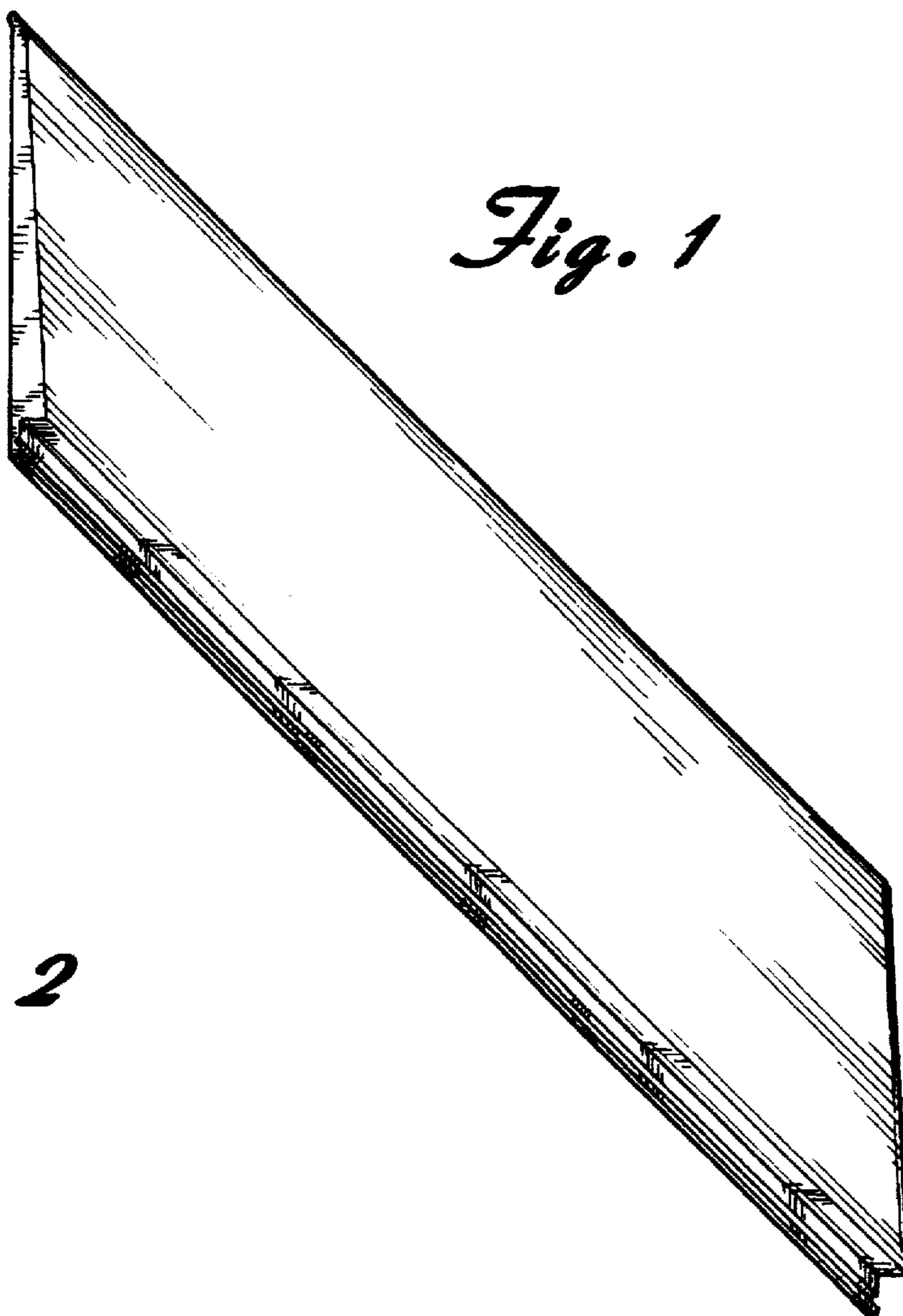


Fig. 1

Fig. 2



Fig. 3



Fig. 4

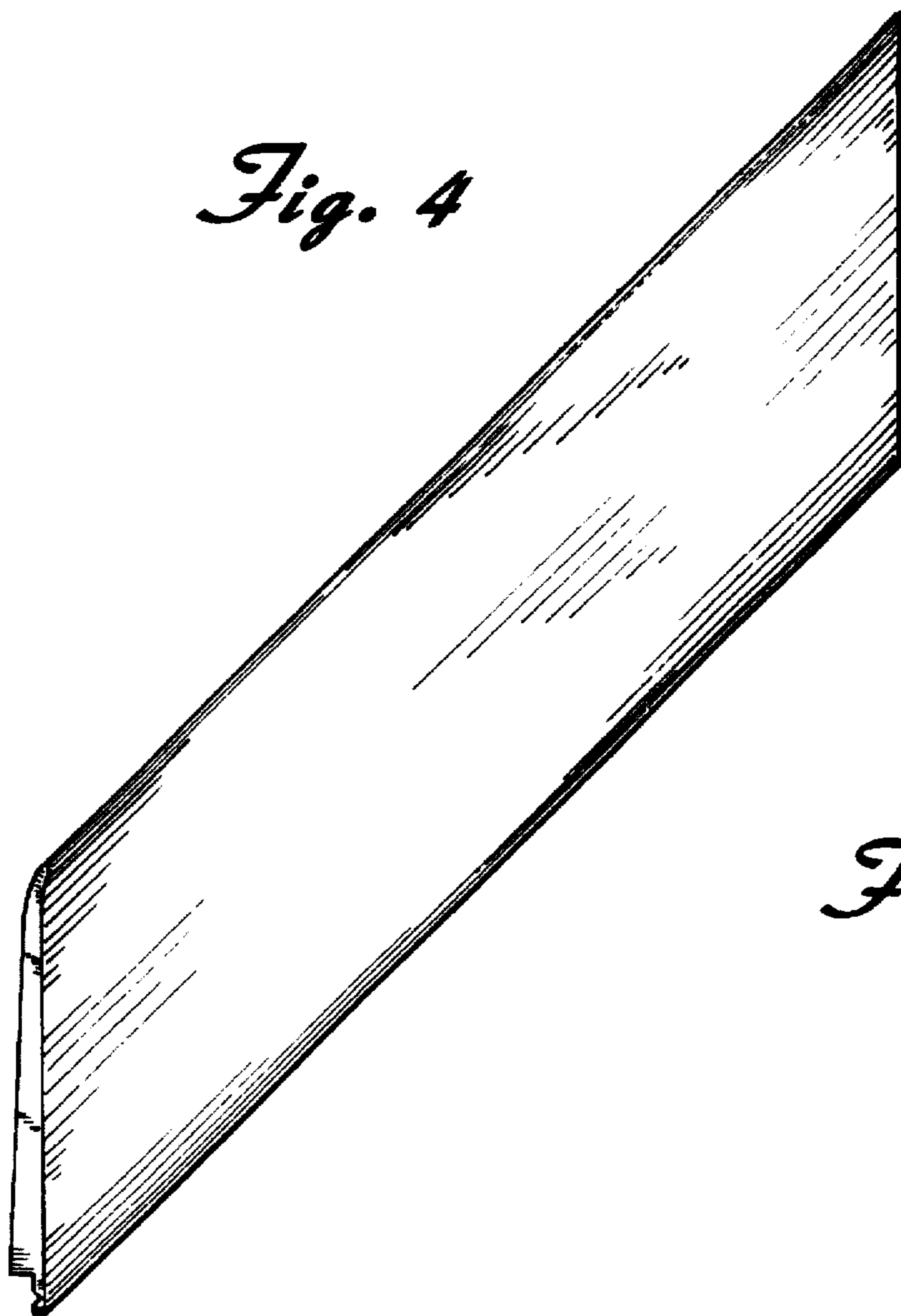


Fig. 5



Fig. 6

