



US00D392054S

# United States Patent [19]

[11] Patent Number: **Des. 392,054**

McGee et al.

[45] Date of Patent: **\*\*Mar. 10, 1998**

[54] **STUD FOR MODULAR BUILDING SYSTEM**

4,910,938 3/1990 McGee ..... 52/481.2  
5,519,978 5/1996 Sucato et al. .... 52/730.1

[75] Inventors: **Wayne R. McGee**, Chesterfield; **Scott Schormann**, O'Fallon; **Scott Kouri**, St. Louis; **Trace Woodrum**, Ballwin, all of Mo.

*Primary Examiner*—Doris Clark  
*Attorney, Agent, or Firm*—Howell & Haferkamp

[73] Assignee: **Porta-Fab Corporation**, Chesterfield, Mo.

### [57] CLAIM

[\*\*] Term: **14 Years**

The ornamental design for a stud for modular building system, as shown and described.

[21] Appl. No.: **61,539**

### DESCRIPTION

[22] Filed: **Oct. 25, 1996**

FIG. 1 is a perspective view of a stud for modular building system constructed in accordance with our new design; FIG. 2 is an end view of the stud for modular building system; FIG. 3 is a top plan view of the stud for modular building system; FIG. 4 is a bottom plan view of the stud for modular building system; and FIG. 5 is a side elevation view of the stud for modular building system.

[51] LOC (6) Cl. .... **25-01**

[52] U.S. Cl. .... **D25/125**

[58] Field of Search ..... D25/124, 125,  
D25/164; 52/344, 459, 461, 481.1, 481.2,  
730.1, 730.2, 731.9

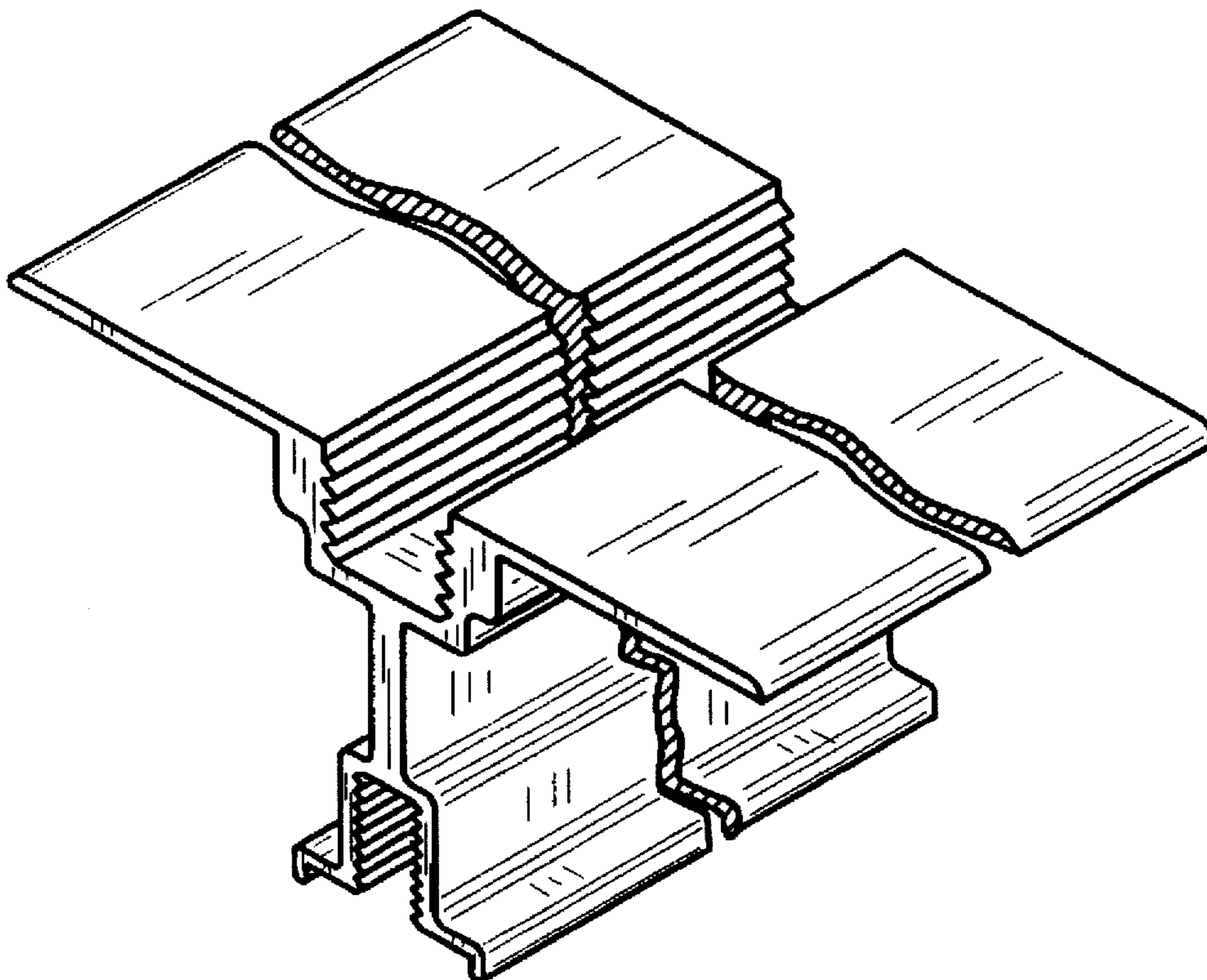
The stud for modular building system is broken in the center to disclose indefinite length.

### [56] References Cited

#### U.S. PATENT DOCUMENTS

D. 245,106 7/1977 Scheid ..... D25/125  
3,566,561 3/1971 Tozer ..... 52/300

**1 Claim, 1 Drawing Sheet**



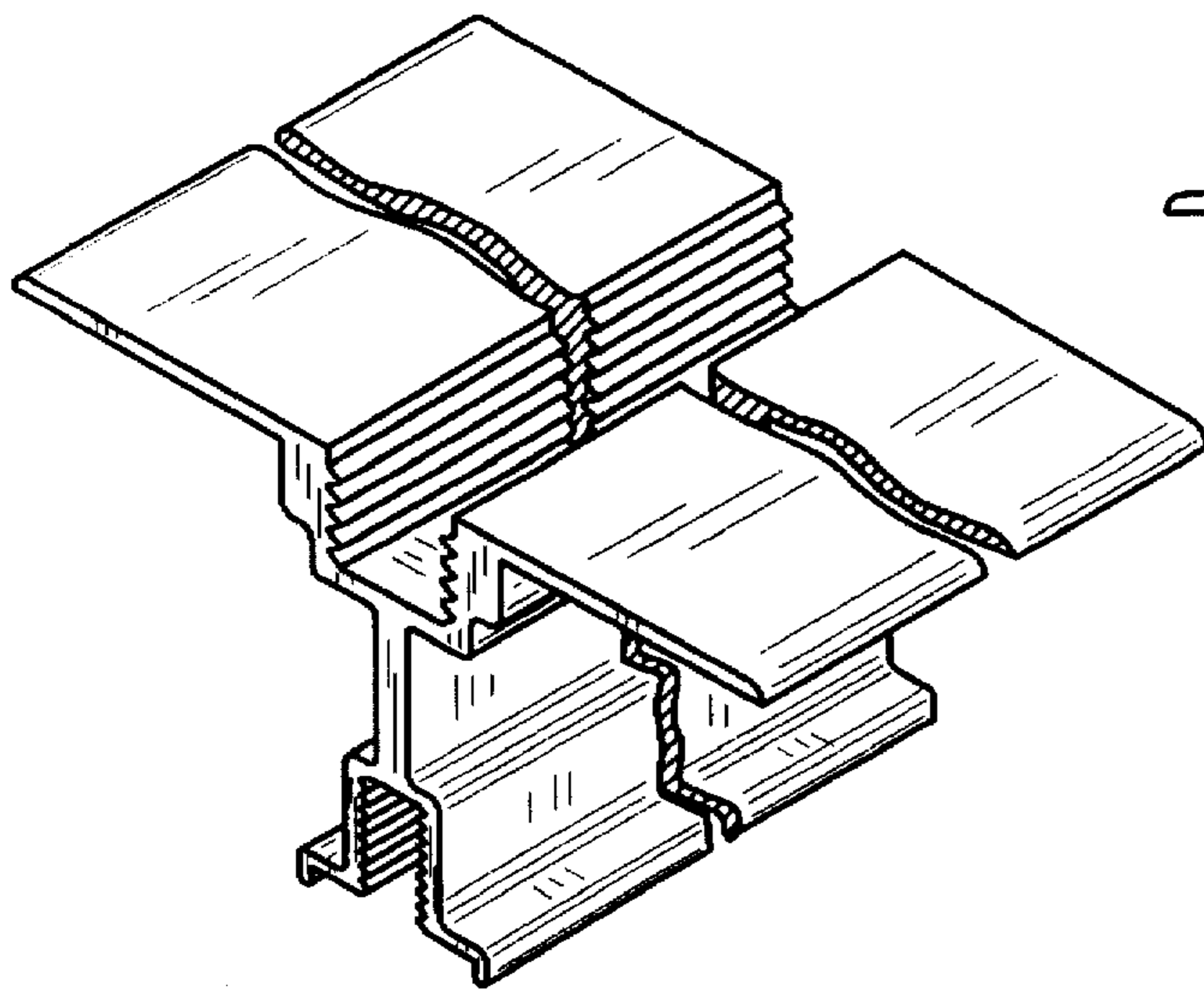


FIG. 1

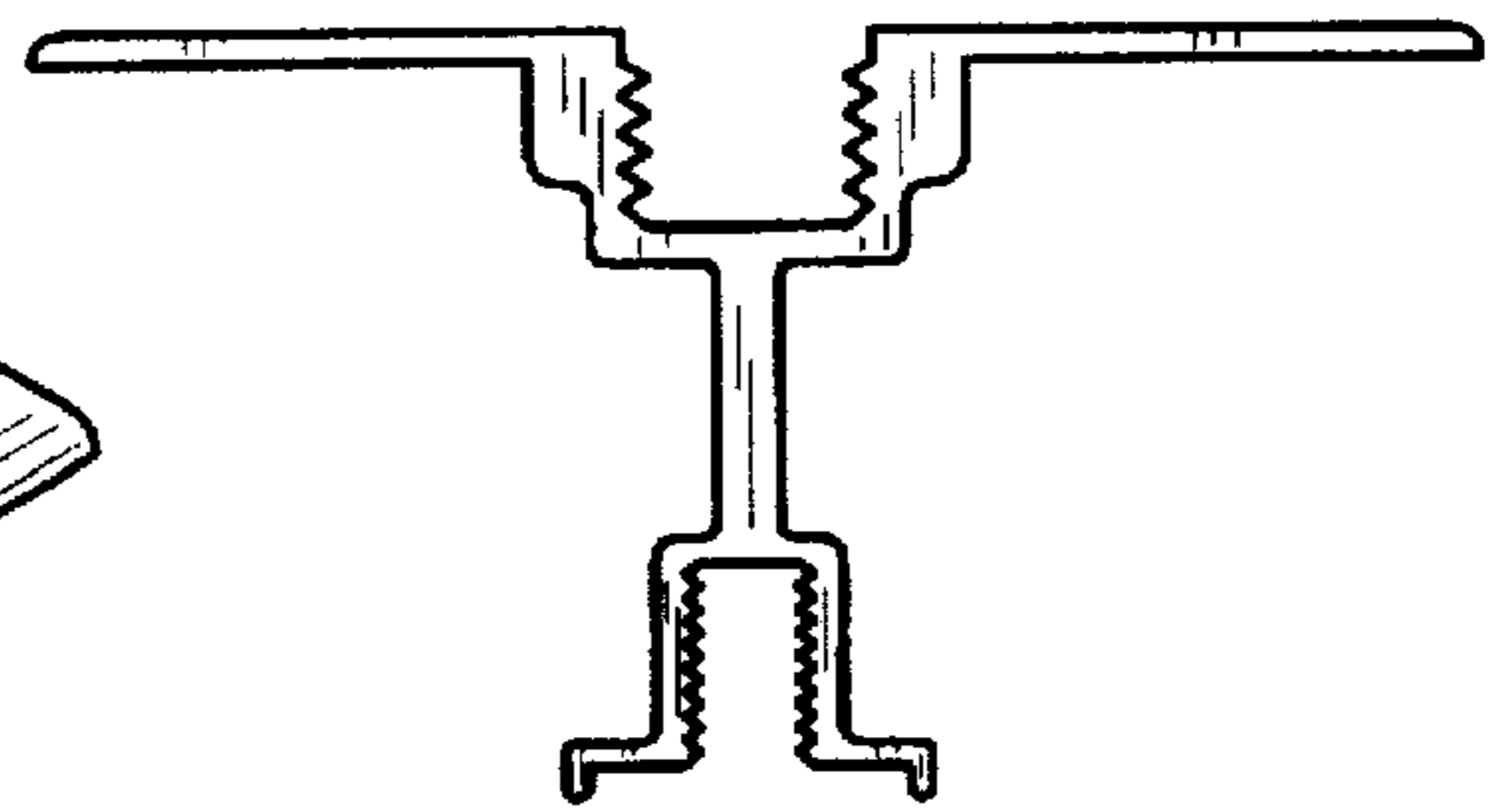


FIG. 2

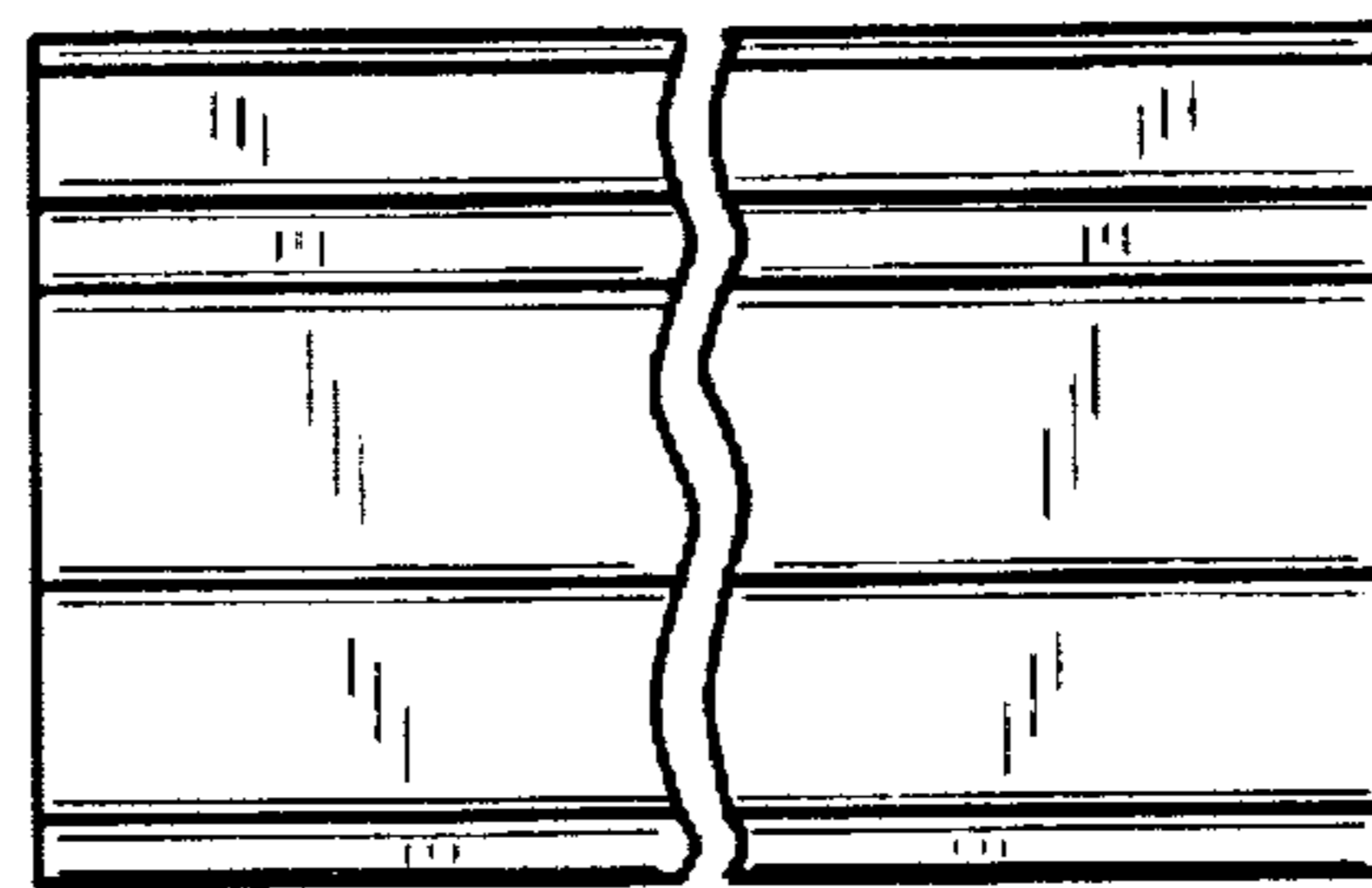


FIG. 3

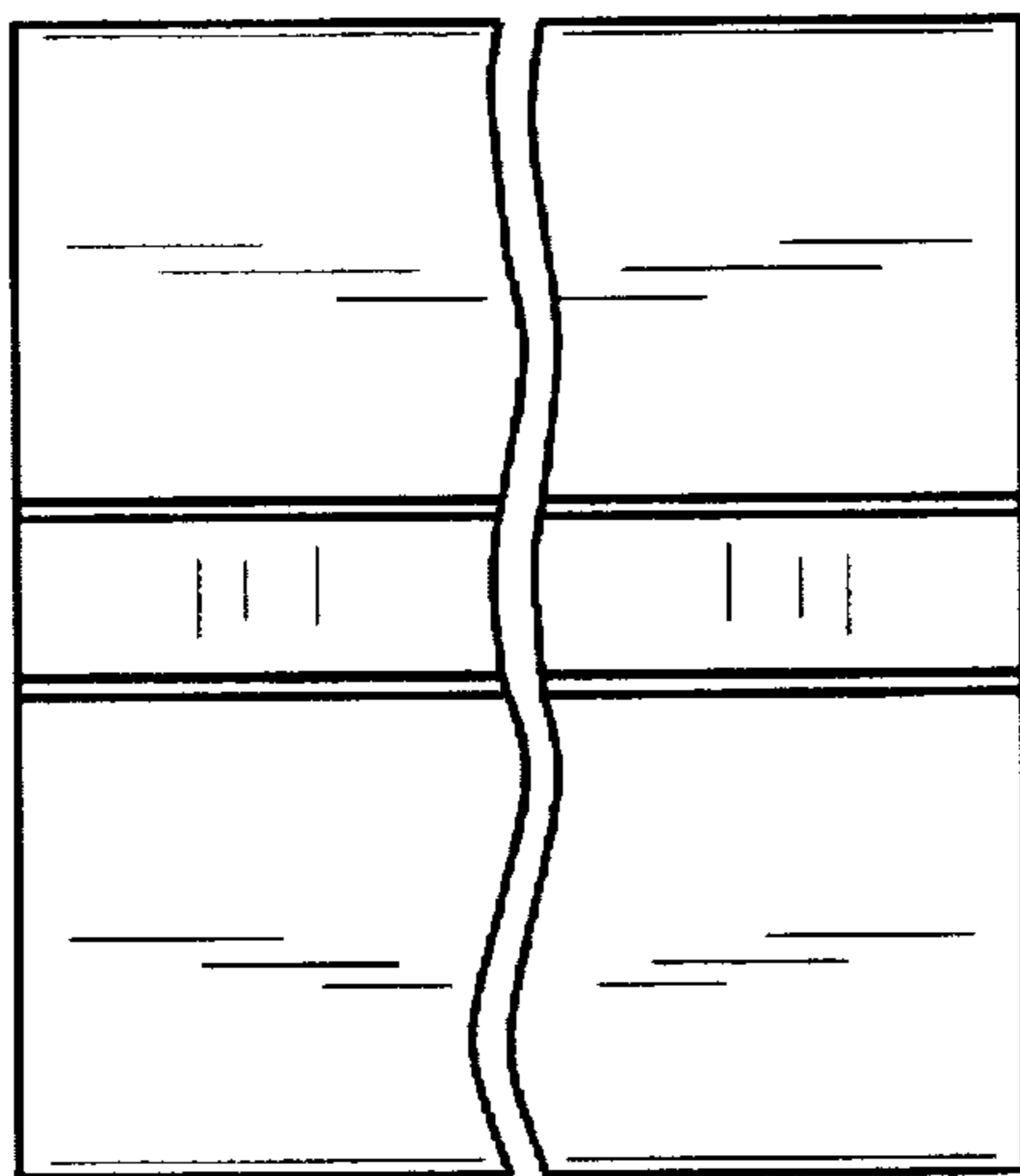


FIG. 4

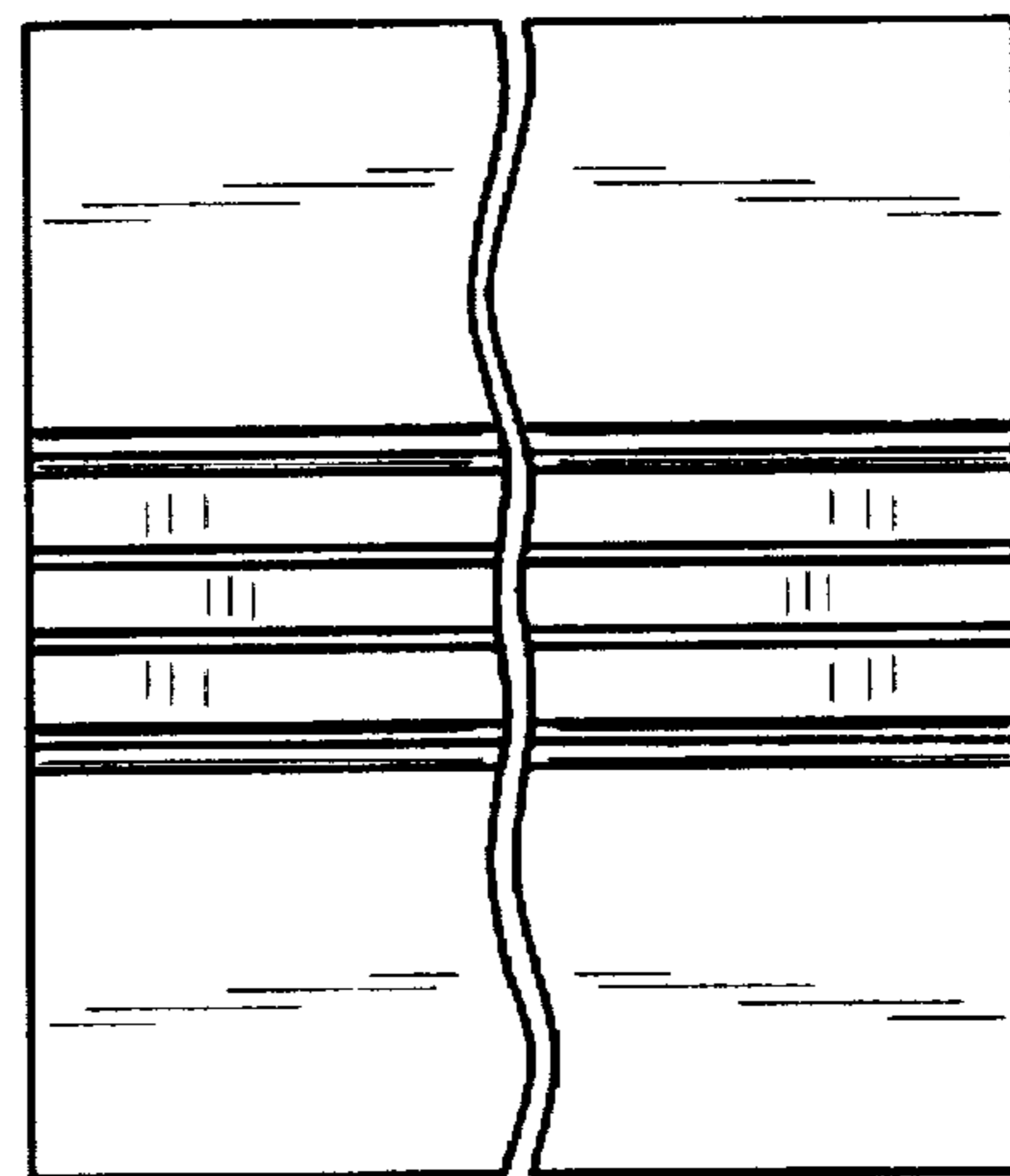


FIG. 5