



US00D392053S

United States Patent [19]

Dallaire et al.

[11] Patent Number: Des. 392,053

[45] Date of Patent: **Mar. 10, 1998

[54] PATIO DOOR HEADER EXTRUSION

[76] Inventors: **Raymond Dallaire**, 4455 Rue St. George, Levis, Quebec, Canada, G6W 1E1; **Dominique Dallaire**, 4605 Rue de L'anse, Levis, Quebec, Canada, G6W 6A3

[**] Term: 14 Years

[21] Appl. No.: 59,576

[22] Filed: Sep. 13, 1996

Related U.S. Application Data

[62] Division of Ser. No. 52,037, Mar. 21, 1996.

[30] Foreign Application Priority Data

Sep. 22, 1995 [CA] Canada 1995-2146

[51] LOC (6) Cl. 25-01

[52] U.S. Cl. D25/124

[58] Field of Search D25/60, 52, 124, D25/125; 49/415, 501, DIG. 2, 504, 413

[56] References Cited

U.S. PATENT DOCUMENTS

D. 300,664 4/1989 Dallaire et al. D25/124

Primary Examiner—Doris Clark
Attorney, Agent, or Firm—Thomas, Kayden, Horstemeyer & Risley LLP

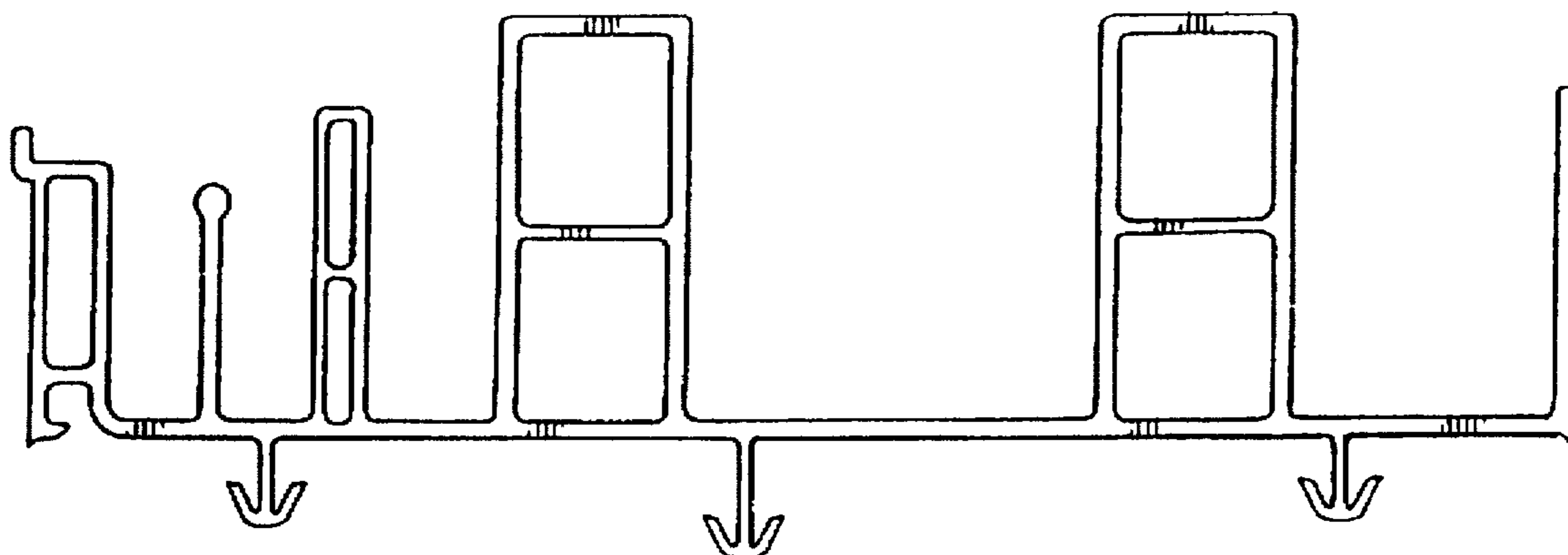
[57] CLAIM

The ornamental design for a patio door header extrusion, as shown and described.

DESCRIPTION

FIG. 1 is a right end elevational view of a patio door header extrusion showing our new design;
FIG. 2 is a left end elevational view thereof;
FIG. 3 is a front elevational view thereof;
FIG. 4 is a rear elevational view thereof;
FIG. 5 is a top plan view thereof; and,
FIG. 6 is a bottom plan view thereof.

1 Claim, 3 Drawing Sheets



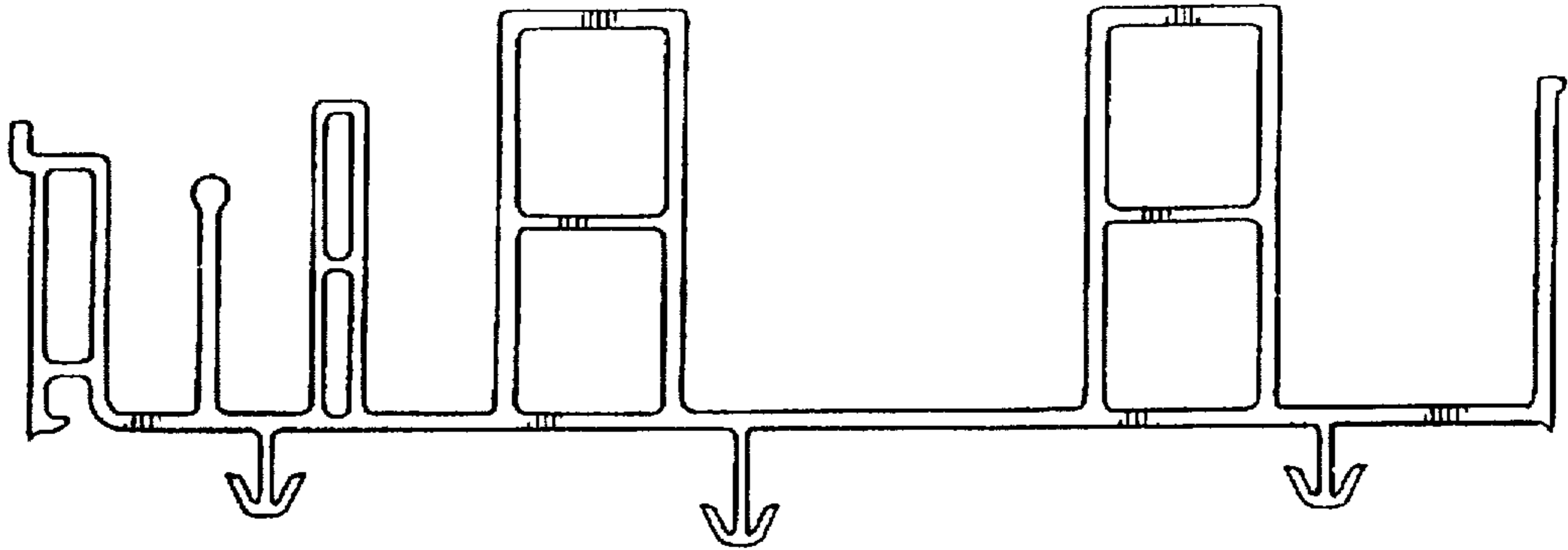


FIG. 1

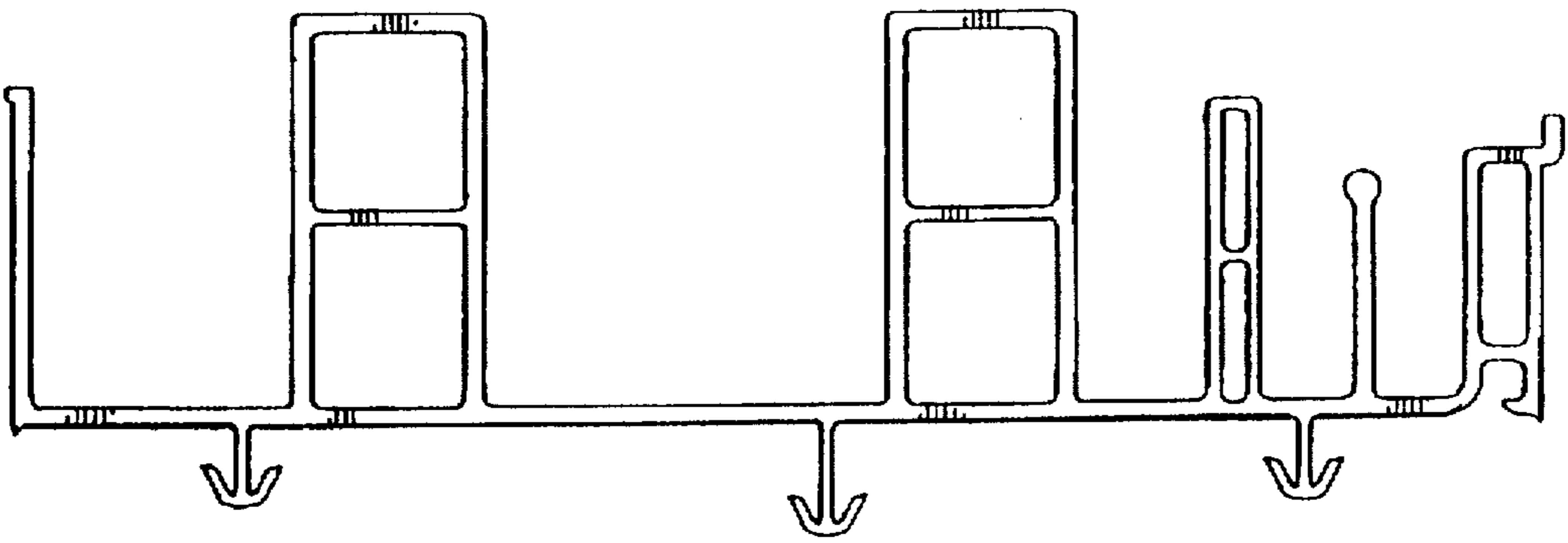


FIG. 2

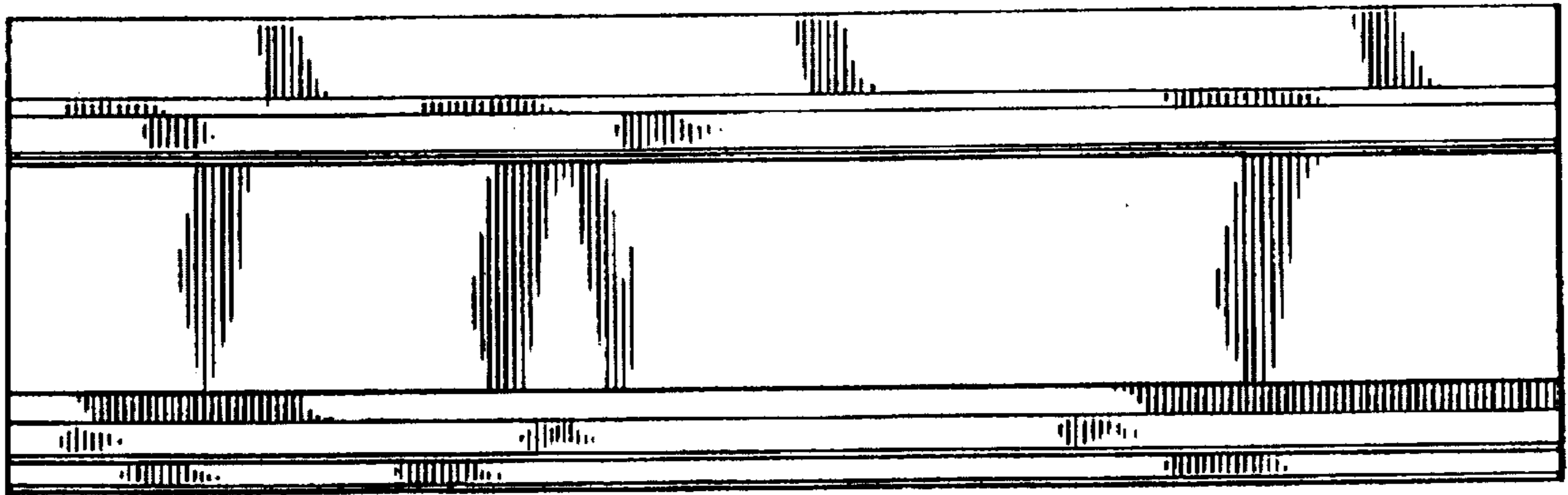


FIG. 3

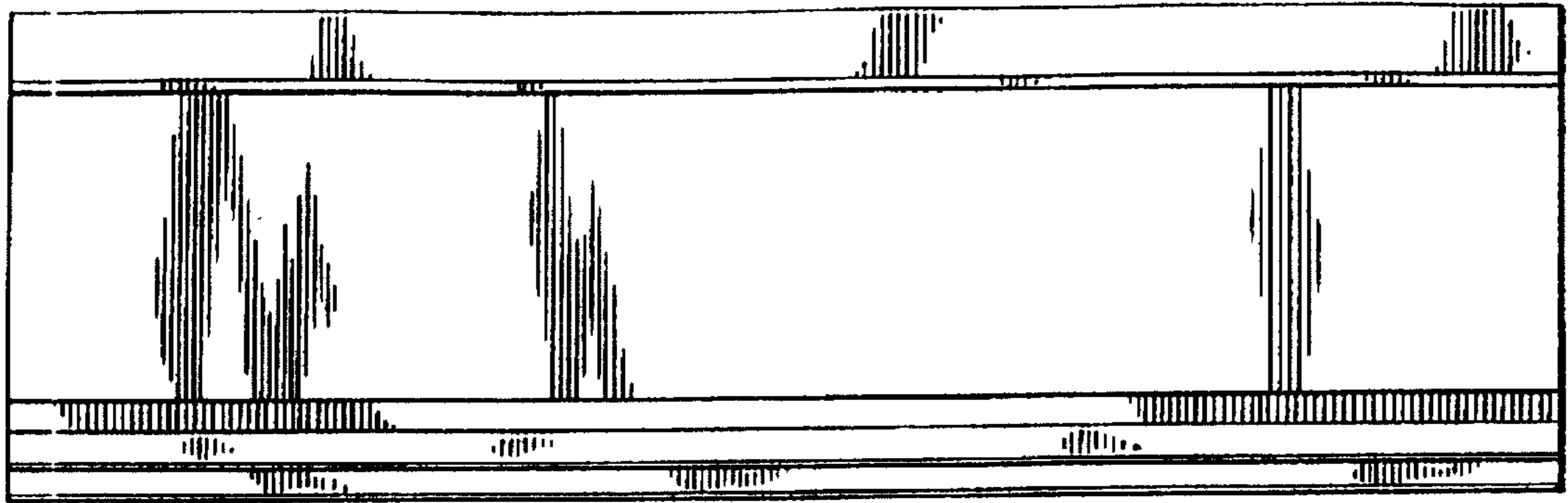


FIG. 4

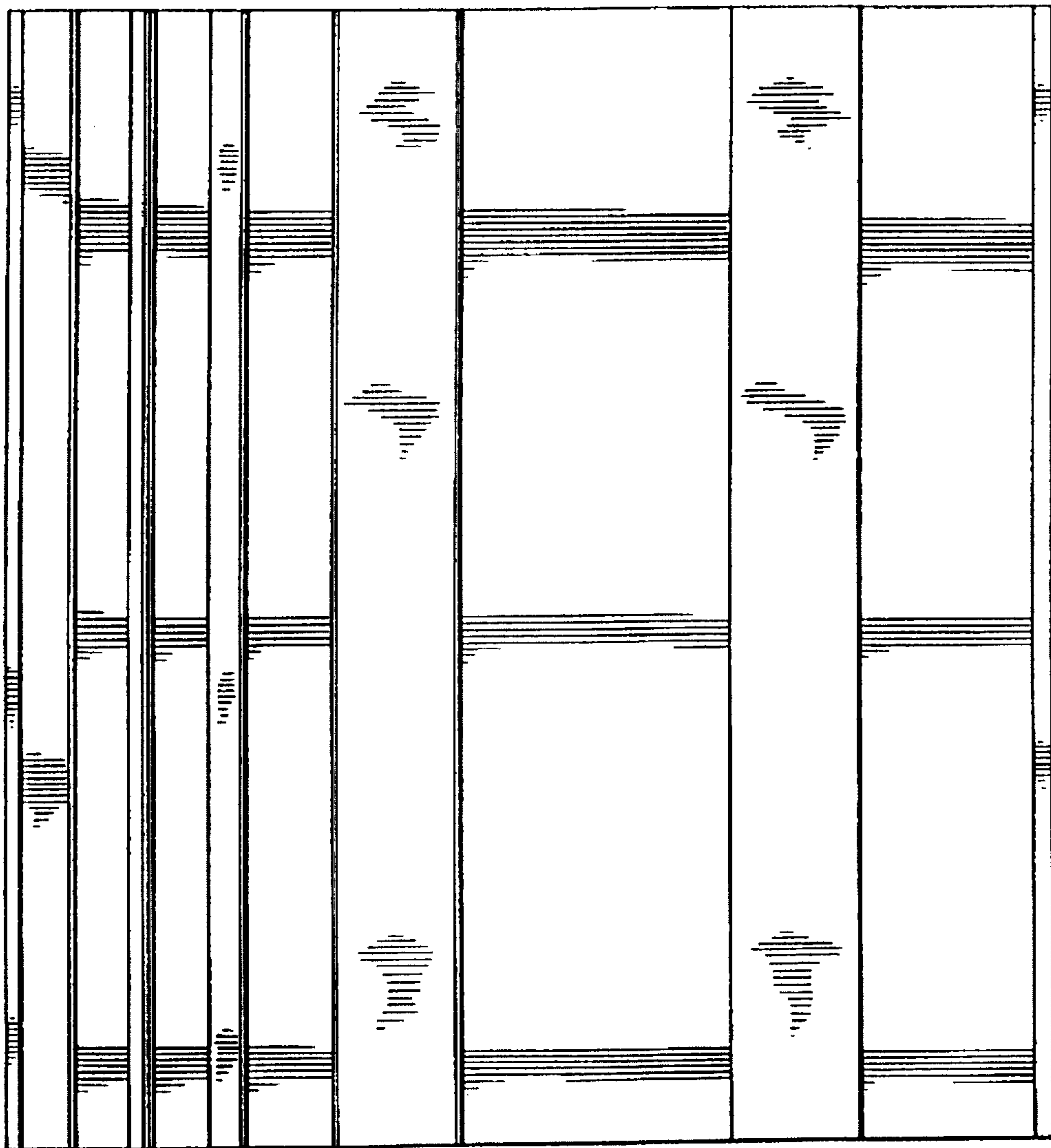


FIG. 5

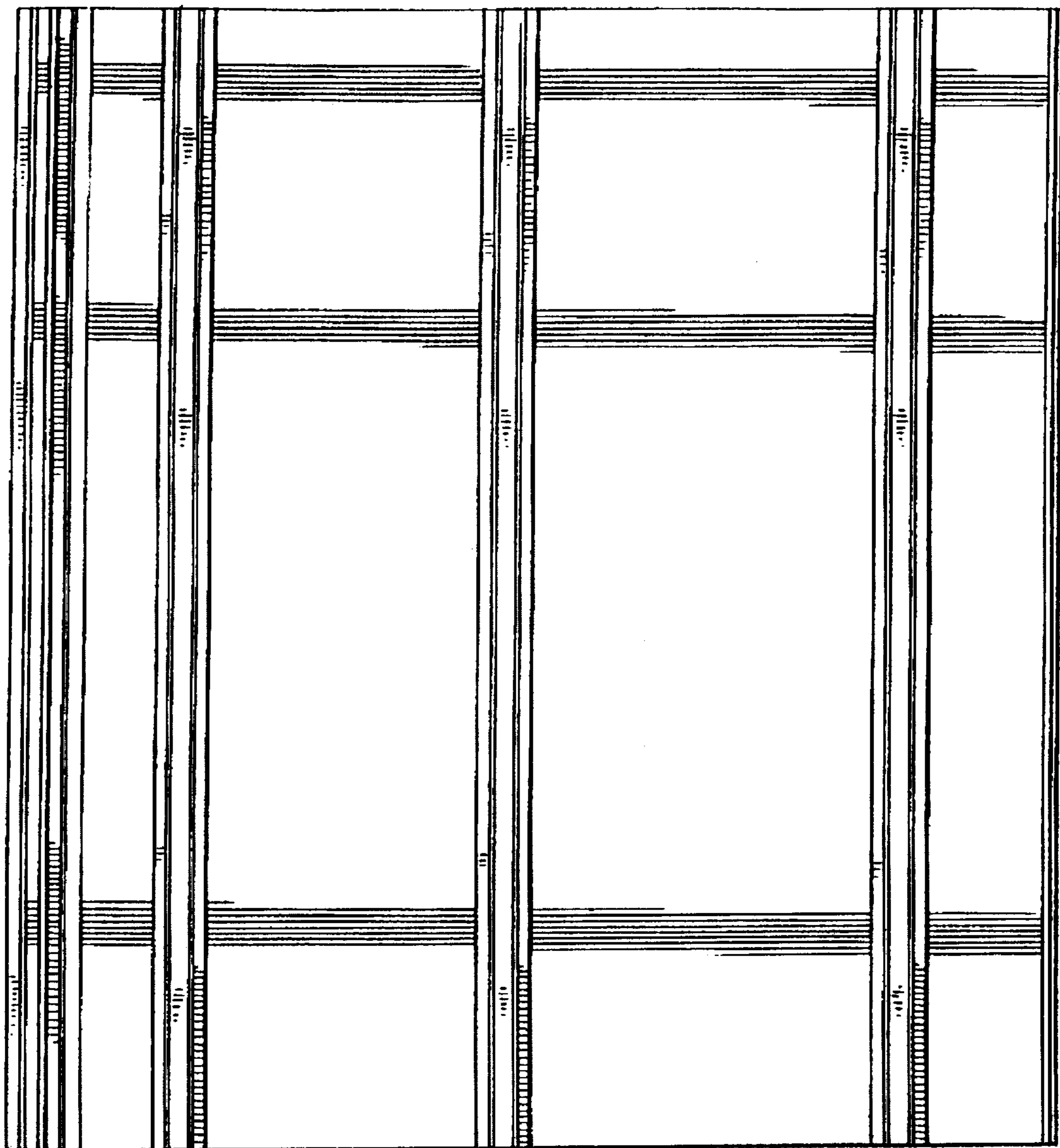


FIG. 6