



US00D392042S

United States Patent [19]
Reil

[11] **Patent Number:** **Des. 392,042**
[45] **Date of Patent:** ****Mar. 10, 1998**

[54] **EARRING STUD GUN**
[76] **Inventor:** **Vladimir Reil, 32450 Nautilus Dr.,
Rancho Palos Verdes, Calif. 90274**
[**] **Term:** **14 Years**
[21] **Appl. No.:** **63,462**
[22] **Filed:** **Dec. 9, 1996**
[51] **LOC (6) Cl.** **24-02**
[52] **U.S. Cl.** **D24/146**
[58] **Field of Search** **D24/146; 606/185,
606/186, 188**

4,931,060 6/1990 Aue 606/188
5,004,470 4/1991 Mann 606/188
5,004,471 4/1991 Mann 606/188
5,007,918 4/1991 Mann 606/188
5,211,653 5/1993 Nakajima 606/188
5,263,960 11/1993 Mann 606/188
5,350,394 9/1994 Mann 606/188
5,360,434 11/1994 Mann 606/188
5,389,105 2/1995 Mann 606/188
5,441,514 8/1995 Durham 606/188
5,496,343 3/1996 Reil 606/188
5,499,993 3/1996 Blomdahl et al. 606/188

Primary Examiner—Doris Clark
Attorney, Agent, or Firm—Cislo & Thomas LLP

[56] **References Cited**

U.S. PATENT DOCUMENTS

D. 242,392 11/1976 Moore et al. D24/146
D. 282,779 2/1986 Reil 24/23
D. 315,211 3/1991 Reil 24/25
D. 347,895 6/1994 Mann 24/146
D. 358,210 5/1995 Reil 24/146
D. 366,316 1/1996 Reil 24/146
2,798,491 7/1957 Samuels 128/330
3,941,134 3/1976 McDonald 128/330
4,030,507 6/1977 Mann 128/330
4,146,032 3/1979 Rubenstein et al. 128/330
4,527,563 7/1985 Reil 128/329
4,860,747 8/1989 Sciara 128/330
4,921,494 5/1990 Reil 606/188

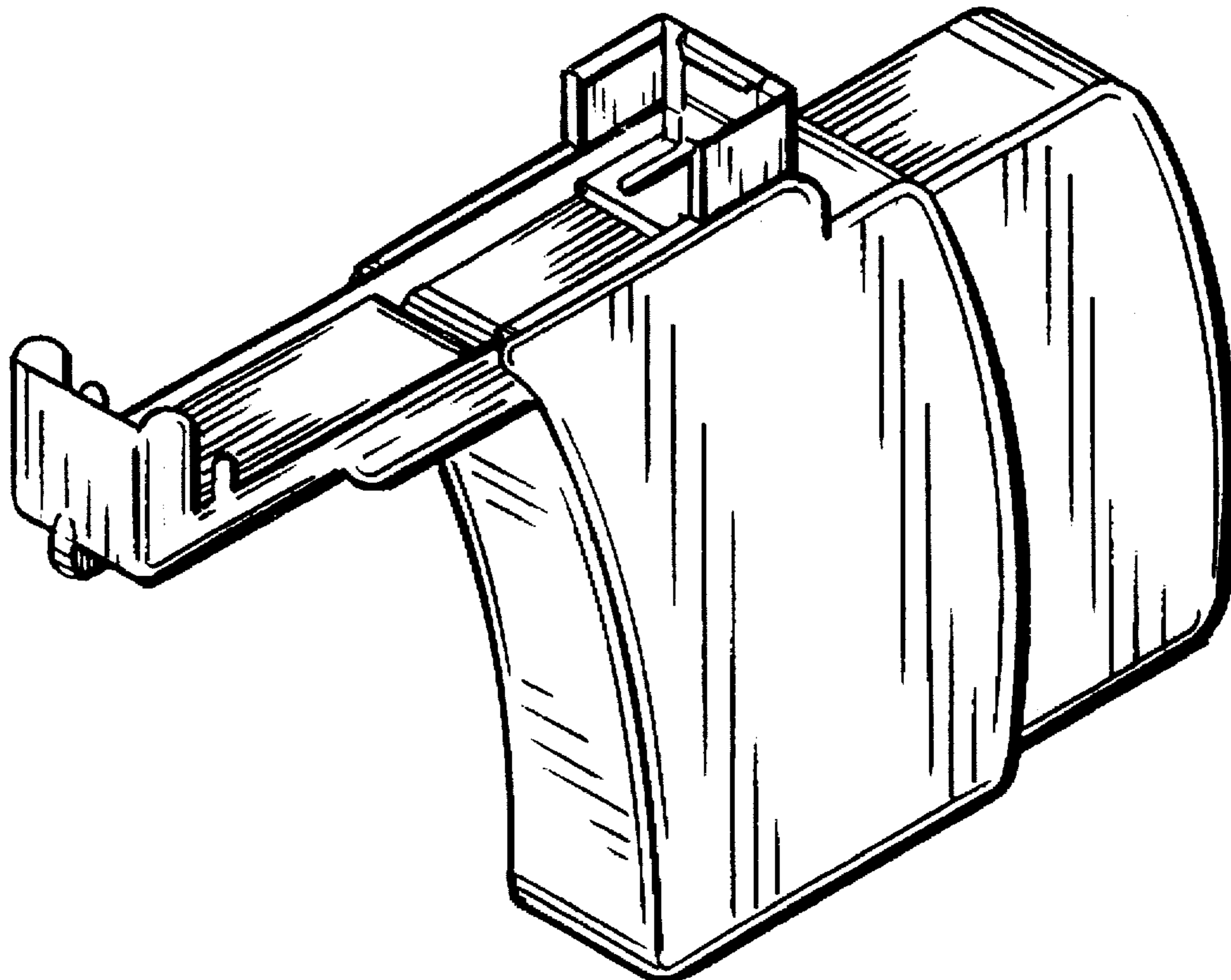
[57] **CLAIM**

The ornamental design for an earring stud gun, as shown and described.

DESCRIPTION

FIG. 1 is a front perspective view of my earring stud gun;
FIG. 2 is a front view thereof;
FIG. 3 is a rear view thereof;
FIG. 4 is a right side elevational view thereof;
FIG. 5 is a left side elevational view thereof;
FIG. 6 is a top view thereof; and,
FIG. 7 is a bottom view thereof.

1 Claim, 2 Drawing Sheets



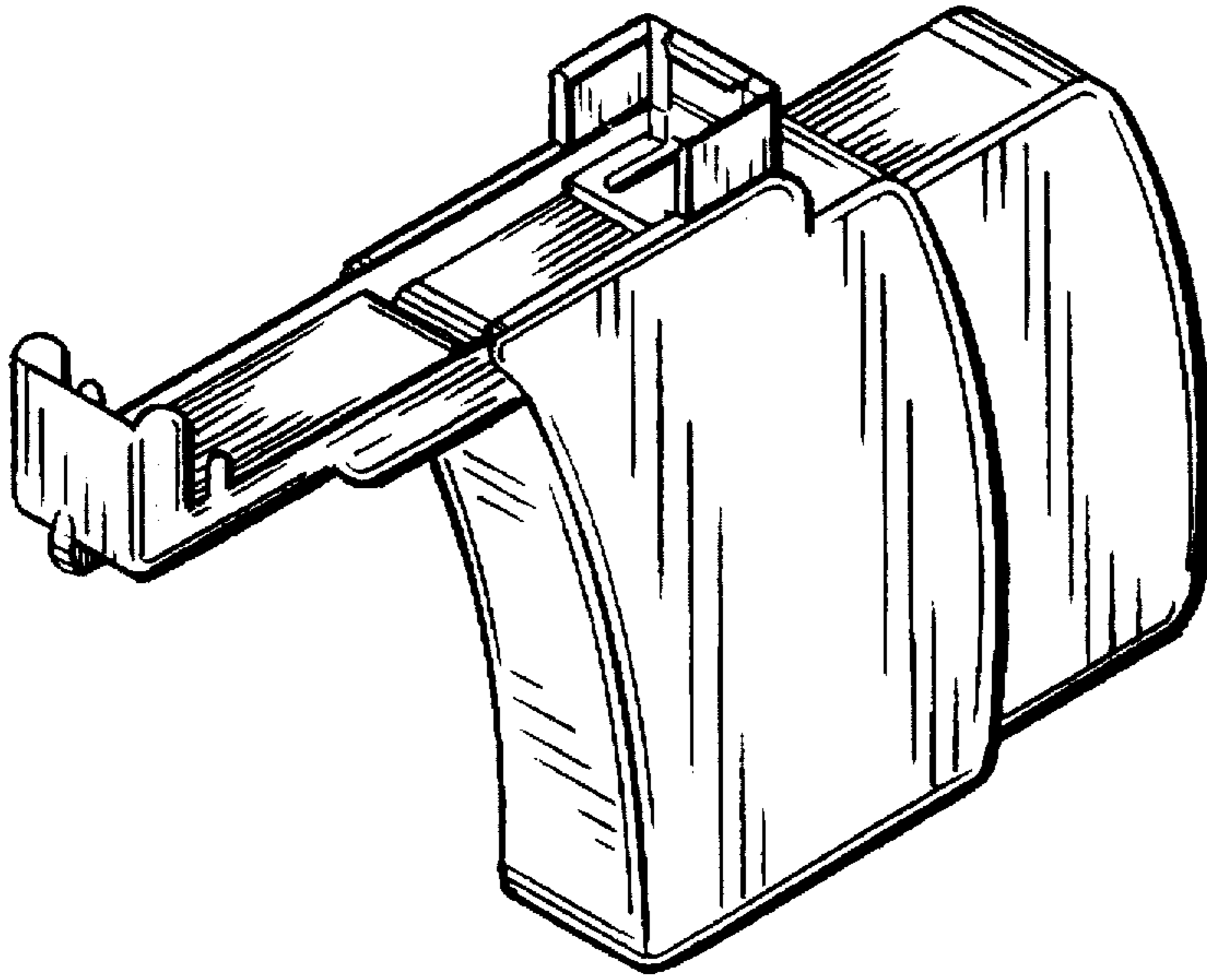


FIG. 1



FIG. 2



FIG. 3

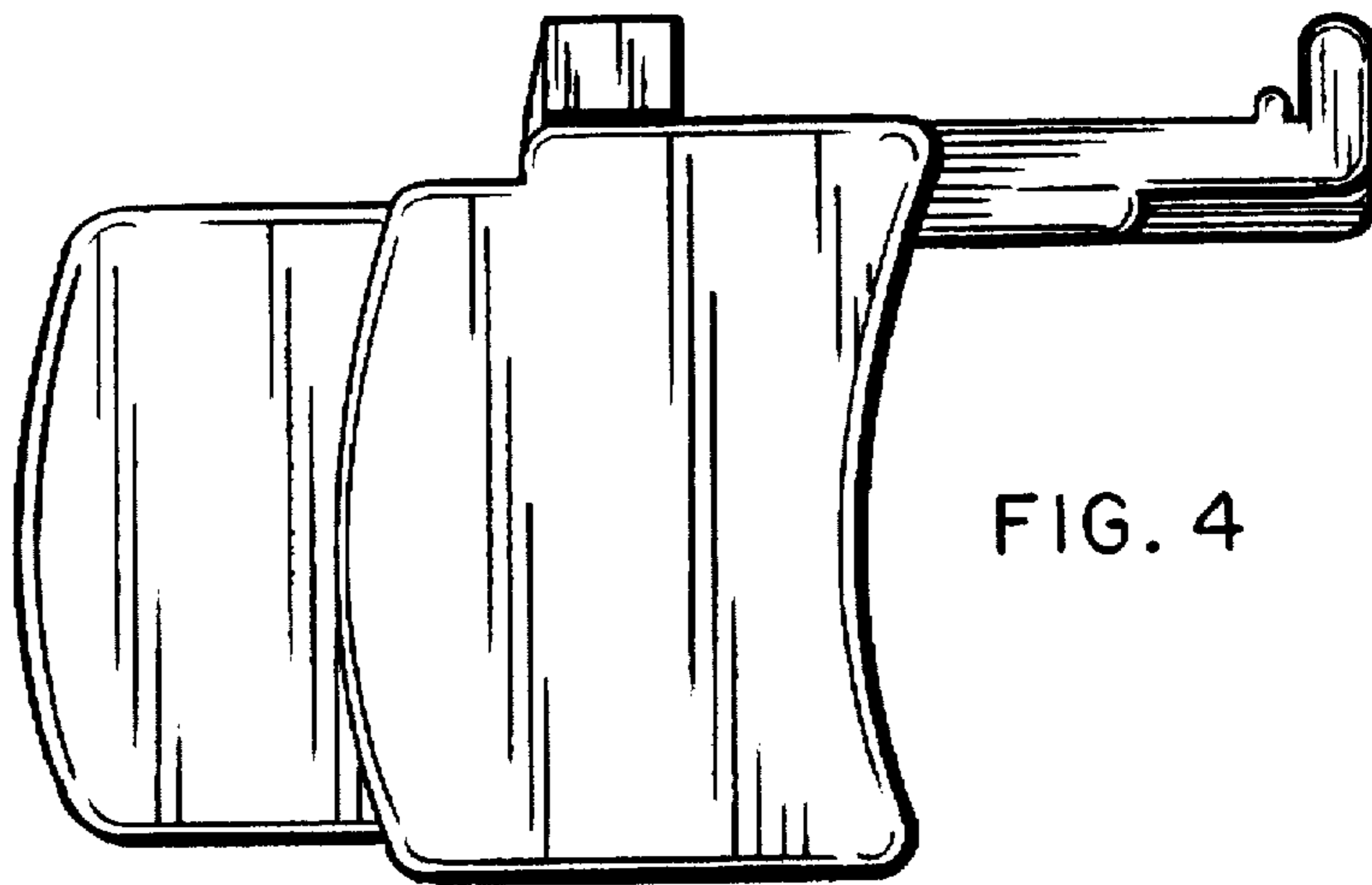


FIG. 4

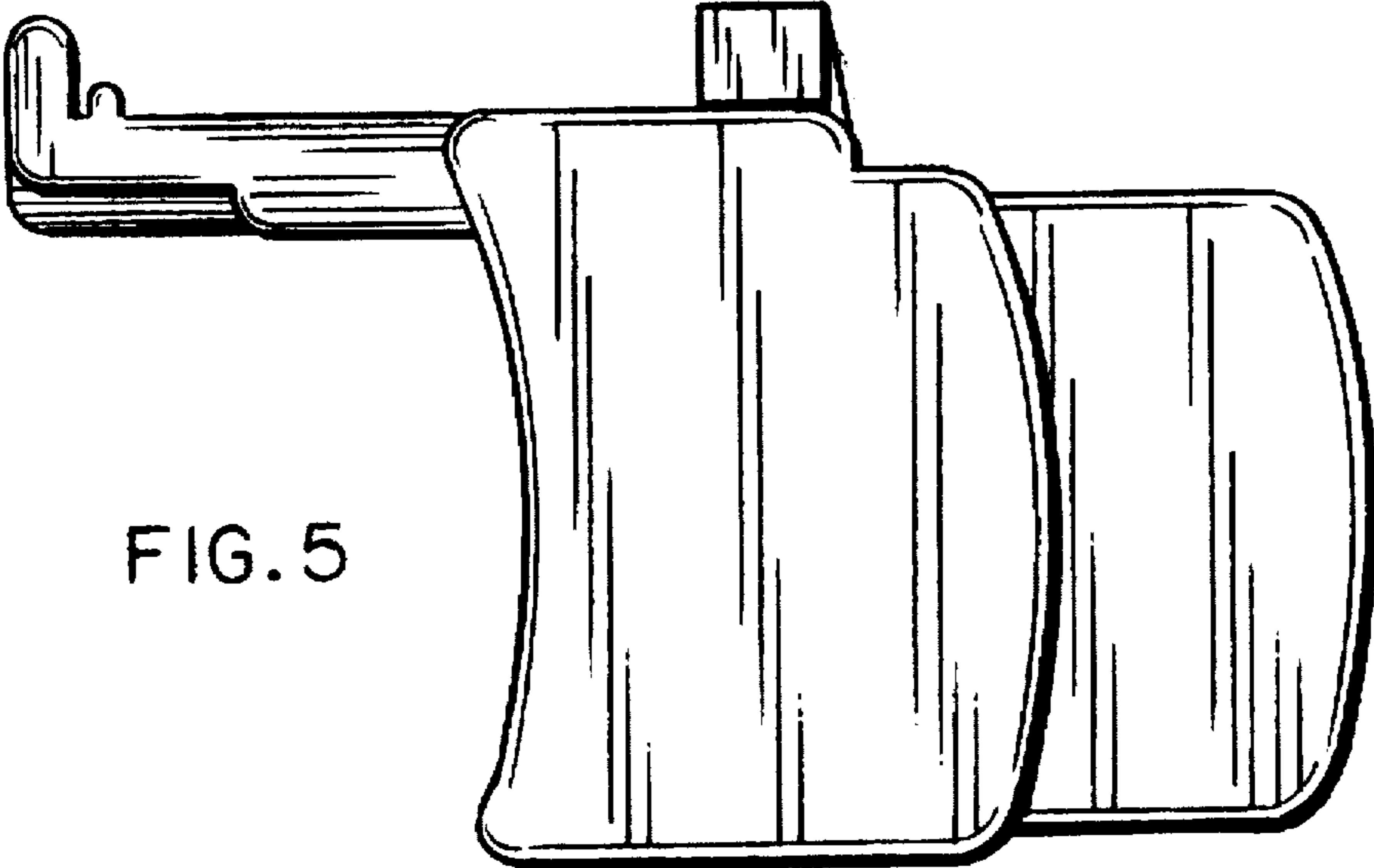


FIG. 5

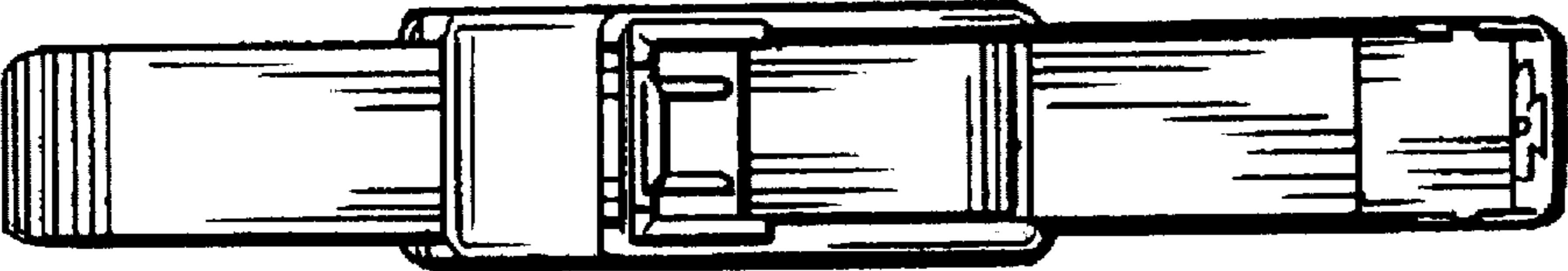


FIG. 6

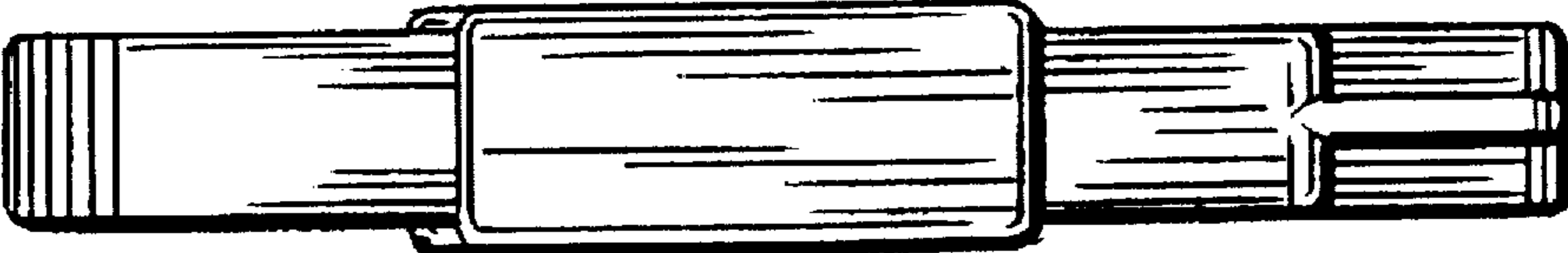


FIG. 7