



US00D392040S

United States Patent [19]

[11] Patent Number: Des. 392,040

Harman et al.

[45] Date of Patent: **Mar. 10, 1998

[54] **HAND PIECE FOR SURGICAL LASER FIBER OPTIC DELIVERY SYSTEM**

[75] Inventors: **Stuart D. Harman**, San Jose; **Douglas R. Murphy-Chutorian**, Sunnyvale, both of Calif.

[73] Assignee: **Eclipse Surgical Technologies, Inc.**, Sunnyvale, Calif.

[**] Term: **14 Years**

[21] Appl. No.: **56,972**

[22] Filed: **Jul. 12, 1996**

[51] LOC (6) Cl. **24-02**

[52] U.S. Cl. **D24/133**

[58] Field of Search D24/133; 604/118-119, 604/32, 35, 41; 606/32, 34, 107, 1, 89

Primary Examiner—Doris Clark
Attorney, Agent, or Firm—Janet Kiaser Castaneda

[57] **CLAIM**

The ornamental design for a hand piece for surgical laser fiber optic delivery system, as shown and described.

DESCRIPTION

FIG. 1 is a front, perspective view in elevation of the hand piece for surgical laser fiber optic delivery system showing our new design;

FIG. 2 is a top view thereof;

FIG. 3 is a side view thereof;

FIG. 4 is a bottom view thereof;

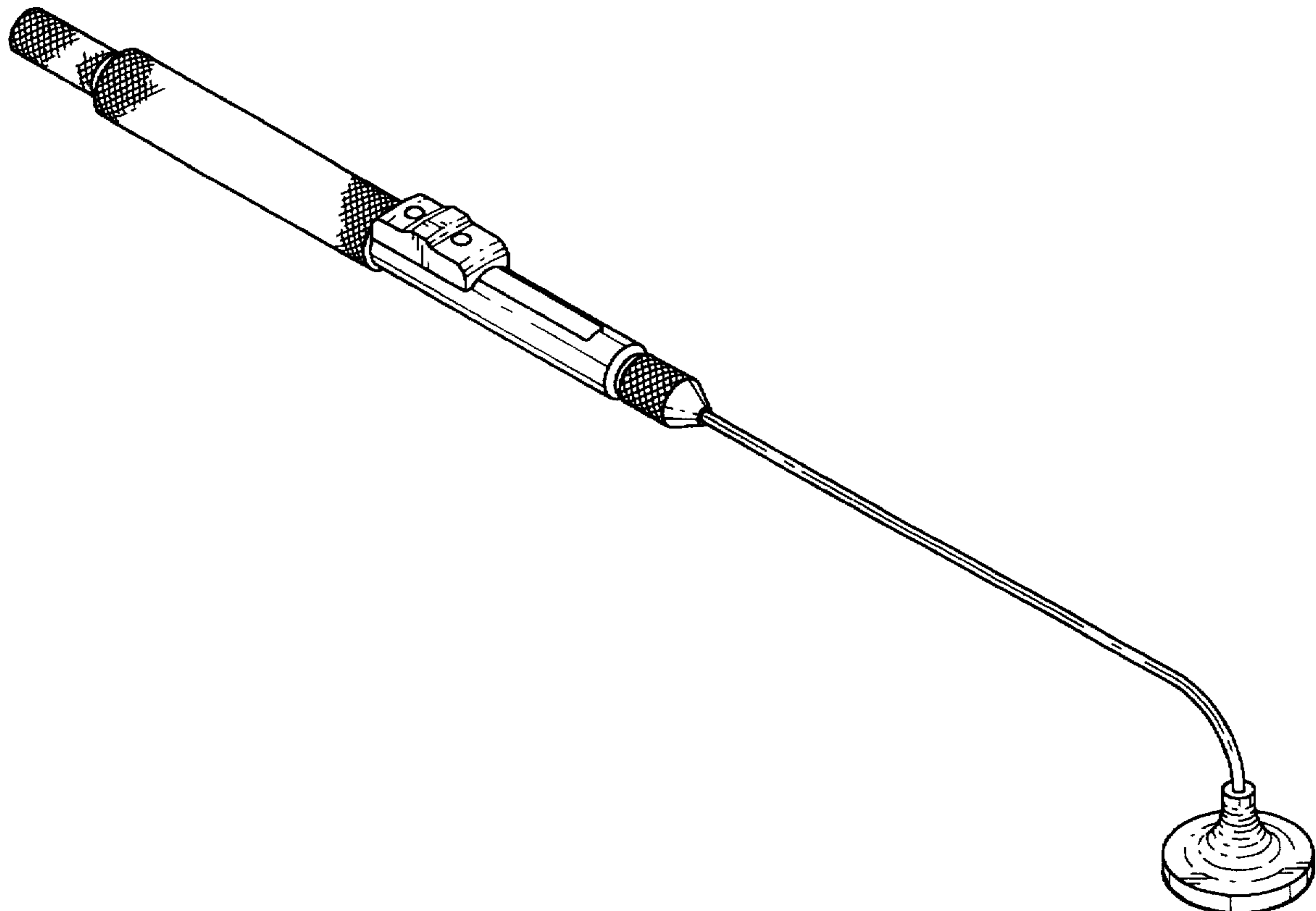
FIG. 5 is a rear view thereof;

FIG. 6 is a front view thereof;

FIG. 7 is a side view of another embodiment of the hand piece for surgical laser fiber optic delivery system, the top is identical to that shown in FIG. 1; and,

FIG. 8 is a bottom view of the FIG. 7 embodiment.

1 Claim, 3 Drawing Sheets



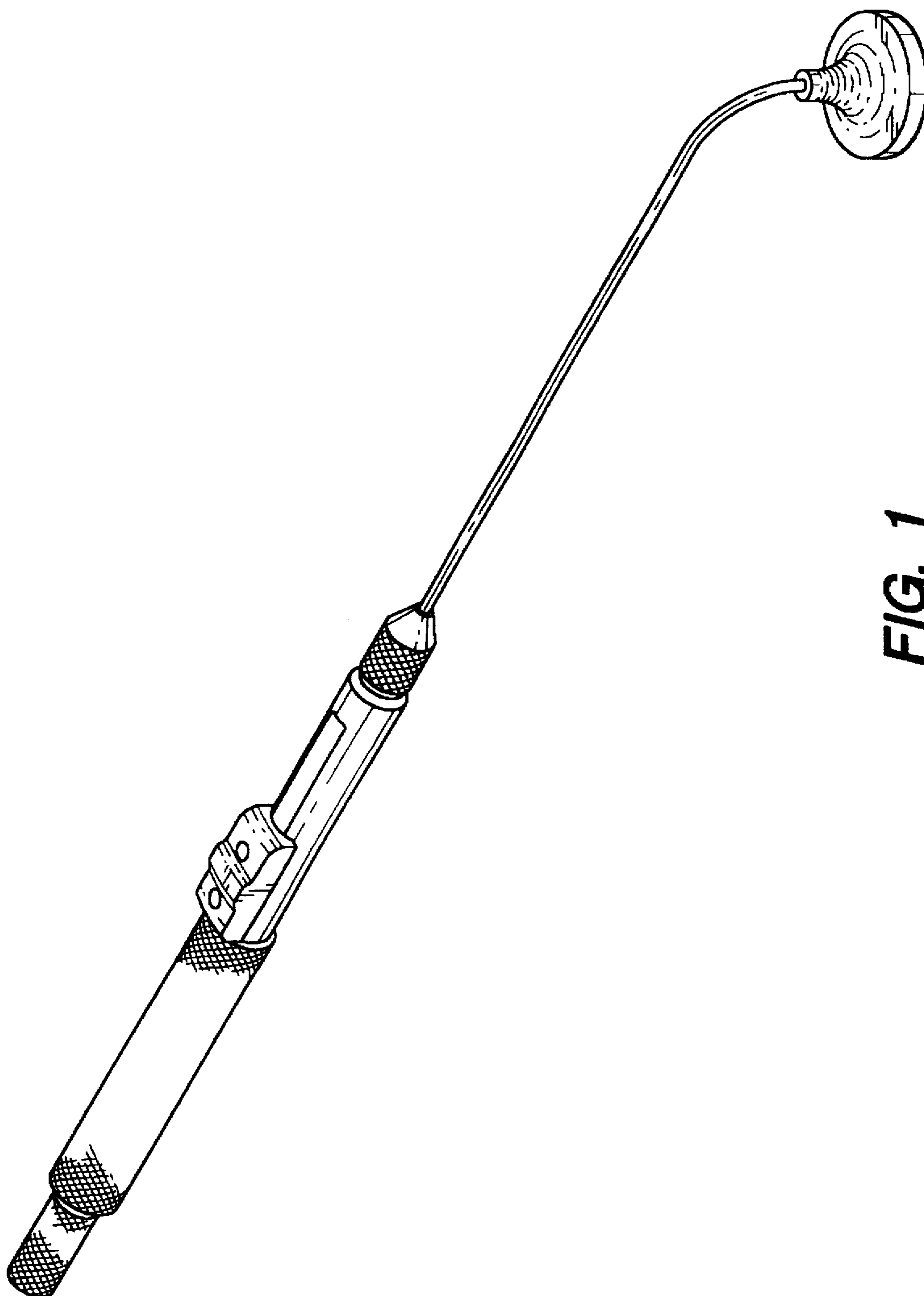


FIG. 1

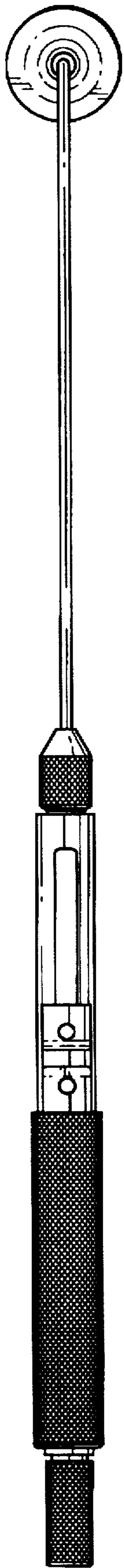


FIG. 2

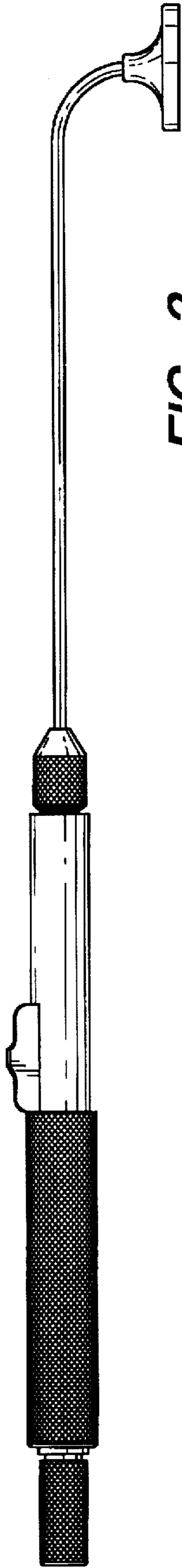


FIG. 3

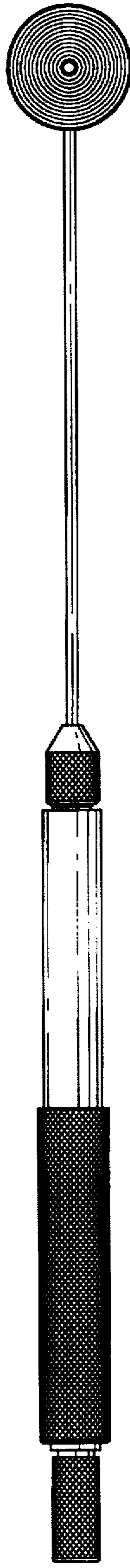


FIG. 4

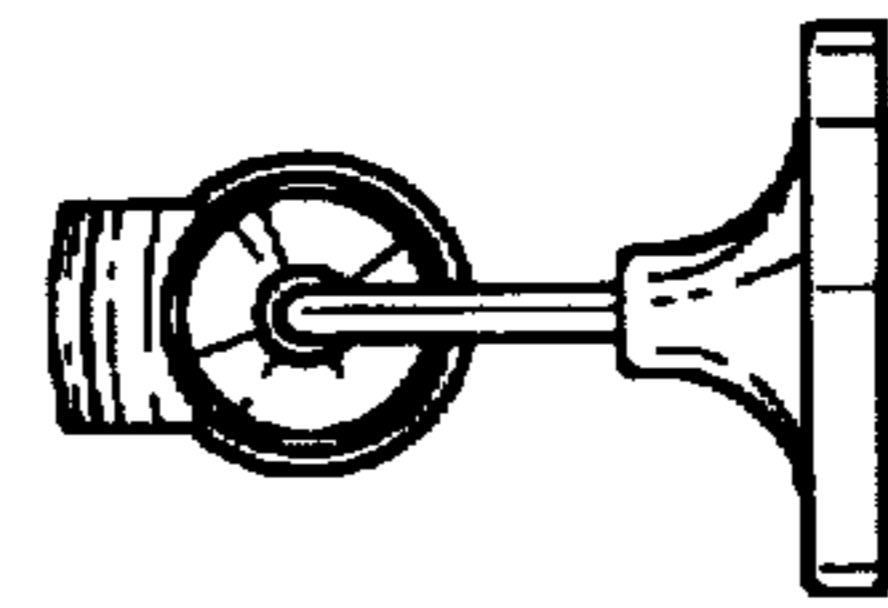


FIG. 6

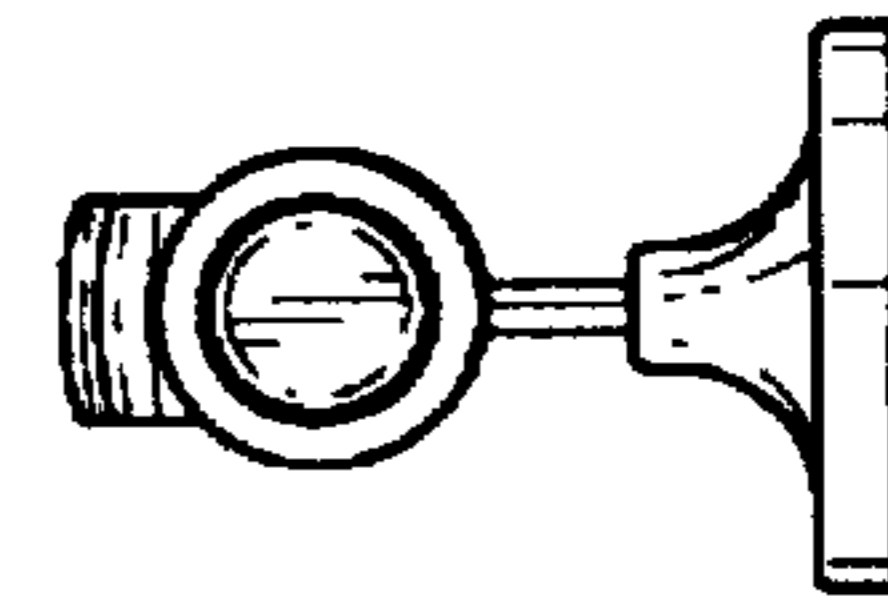


FIG. 5

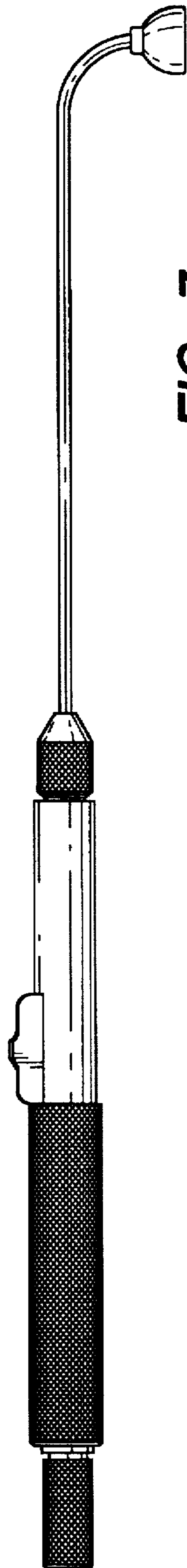


FIG. 7

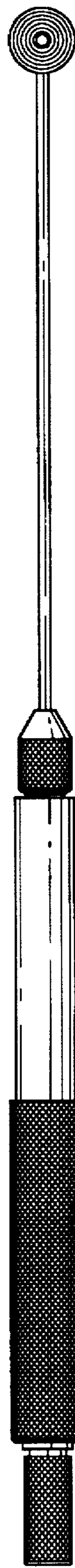


FIG. 8