



US00D392034S

# United States Patent [19]

Pagani et al.

[11] Patent Number: **Des. 392,034**

[45] Date of Patent: **\*\*Mar. 10, 1998**

[54] **HEAT EXCHANGER FOR FIREPLACES**

[76] Inventors: **Attilio Pagani; Livia Serafini Pagani,**  
both of Via Verdi, 15-20067 Zoate  
(Prov. of Milan), Italy

[\*\*] Term: **14 Years**

[21] Appl. No.: **59,479**

[22] Filed: **Sep. 11, 1996**

[30] **Foreign Application Priority Data**

Mar. 15, 1996 [IT] Italy ..... MI9600172

[51] LOC (6) Cl. .... **23-03**

[52] U.S. Cl. .... **D23/399; D23/403**

[58] Field of Search ..... D23/403, 344,  
D23/386, 398, 399; 126/521, 522, 523,  
524

[56] **References Cited**

**U.S. PATENT DOCUMENTS**

547,802 10/1895 Page ..... 126/524

4,185,611	1/1980	Johnson	.....	126/521
4,206,744	6/1980	Mahoney et al.	.....	126/521
4,252,106	2/1981	Estes	.....	126/522
4,369,626	1/1983	Frankie	.....	126/522

*Primary Examiner*—Lisa Lichtenstein  
*Attorney, Agent, or Firm*—Guido Modiano; Albert Josif;  
Daniel J. O'Byrne

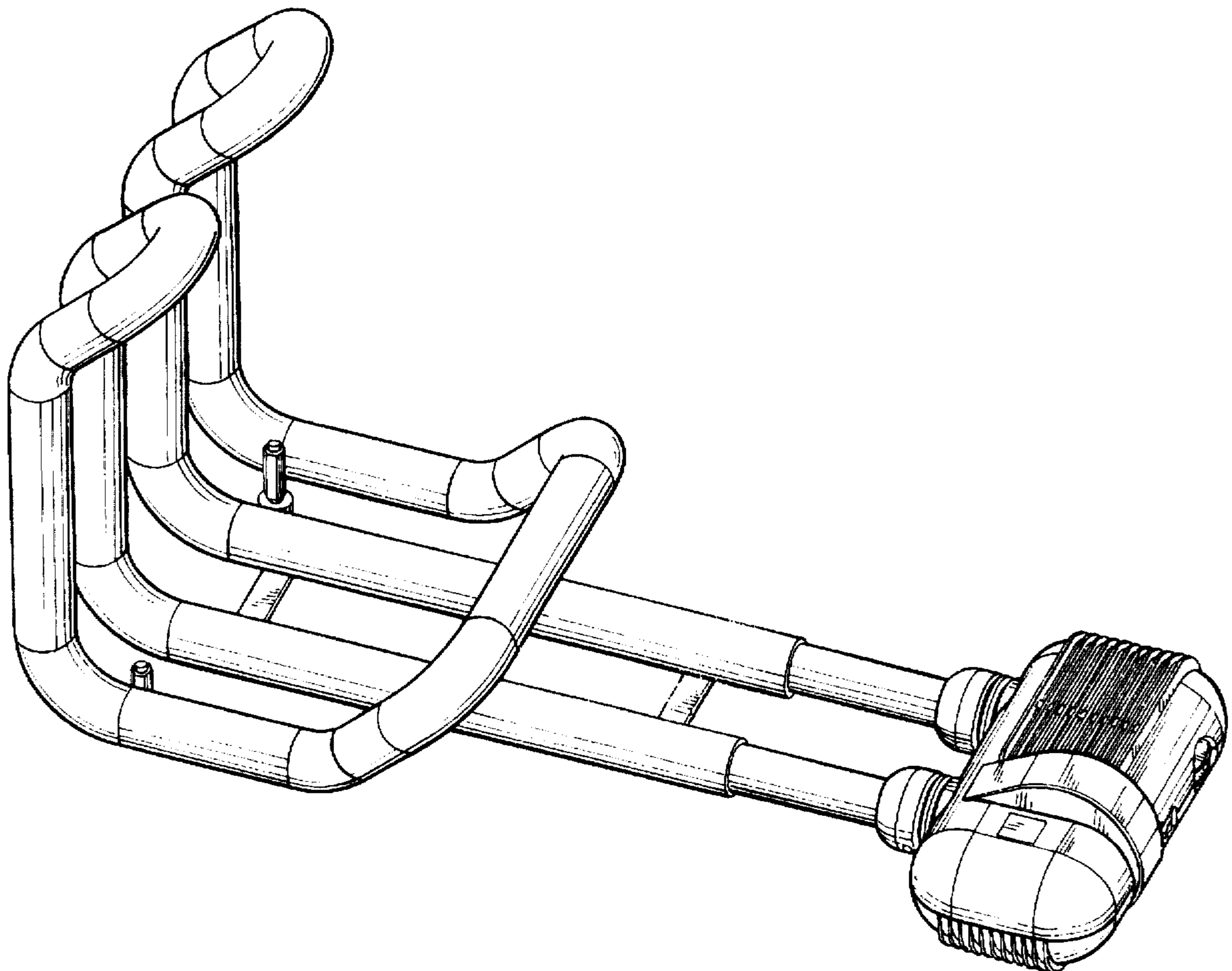
[57] **CLAIM**

The ornamental design for a heat exchanger for fireplaces, as shown.

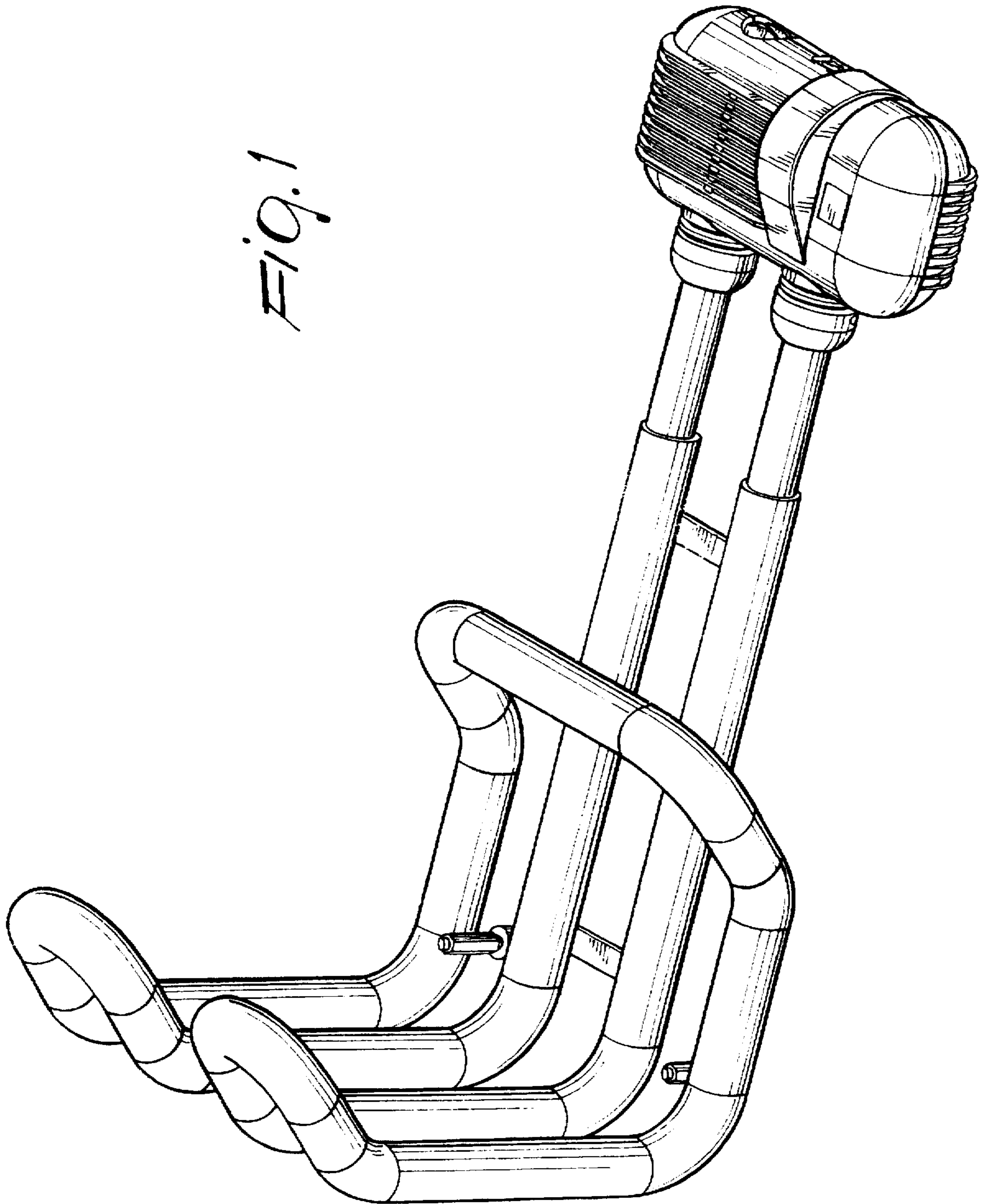
**DESCRIPTION**

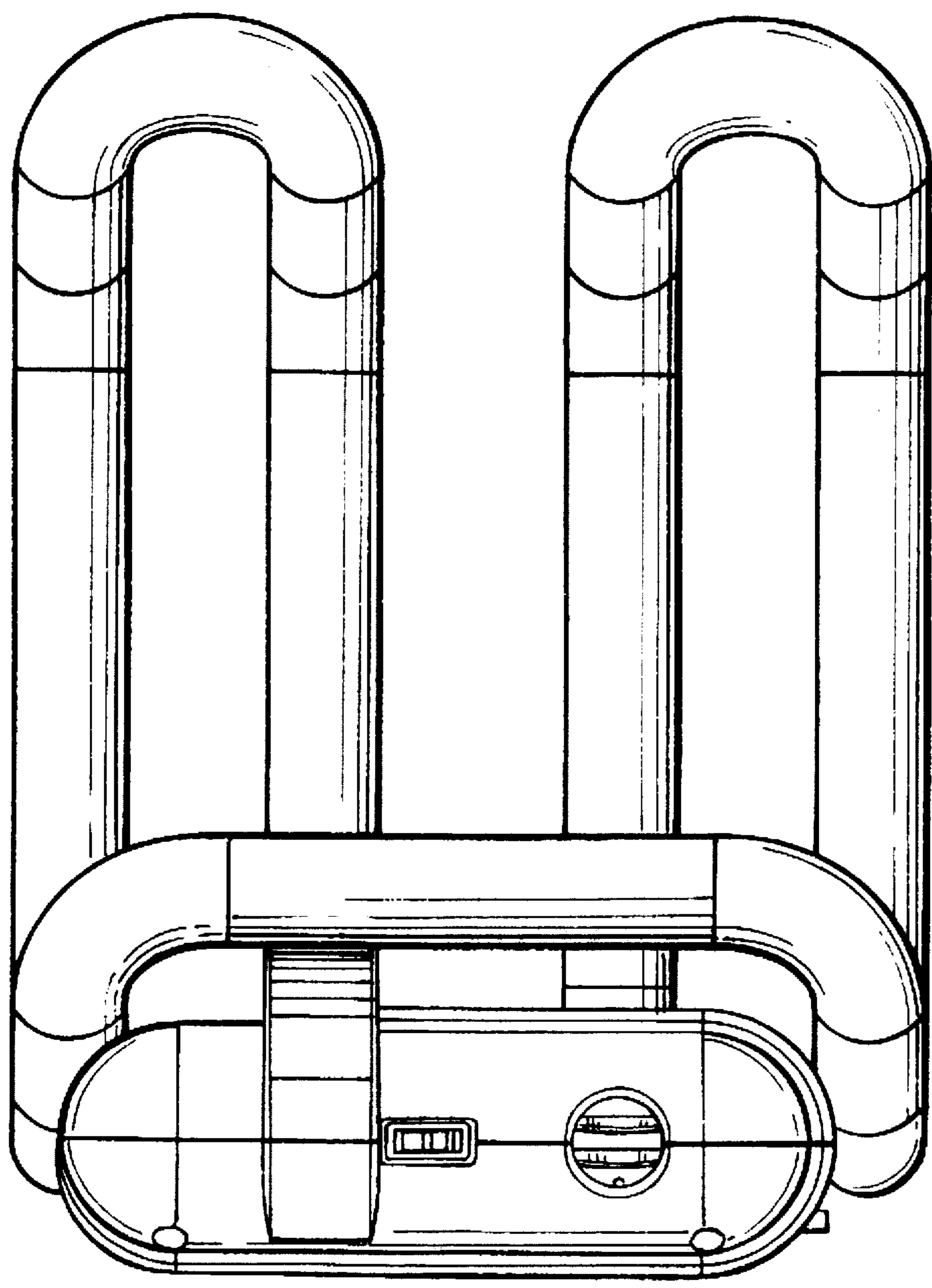
FIG. 1 is a perspective view of the subject heat exchanger design;  
FIG. 2 is a front elevation view thereof;  
FIG. 3 is a rear elevation view thereof;  
FIG. 4 is a right side elevation view thereof;  
FIG. 5 is a left side elevation view thereof;  
FIG. 6 is a top view thereof; and,  
FIG. 7 is a bottom view thereof.

**1 Claim, 7 Drawing Sheets**

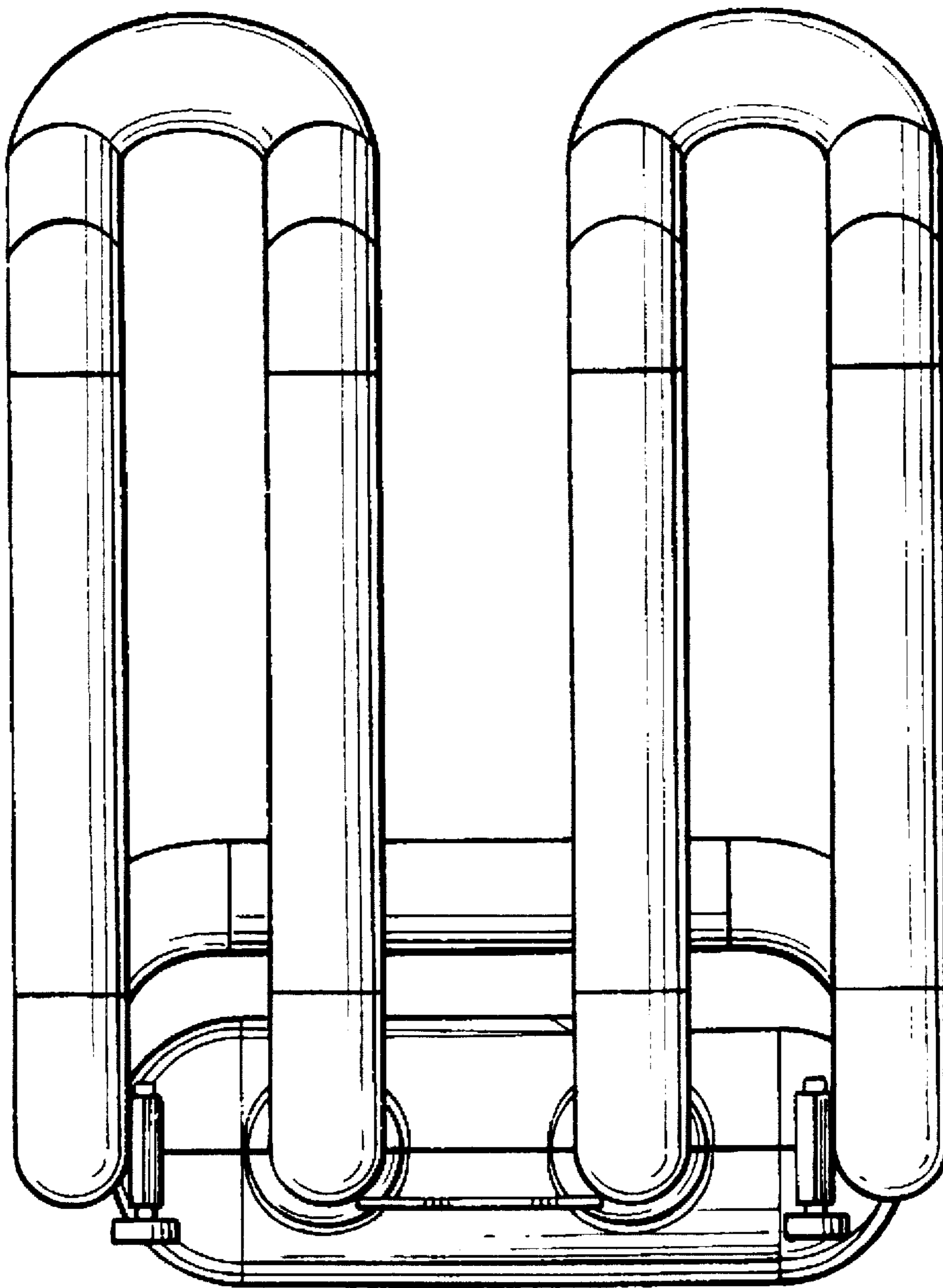


*FIG. 1*





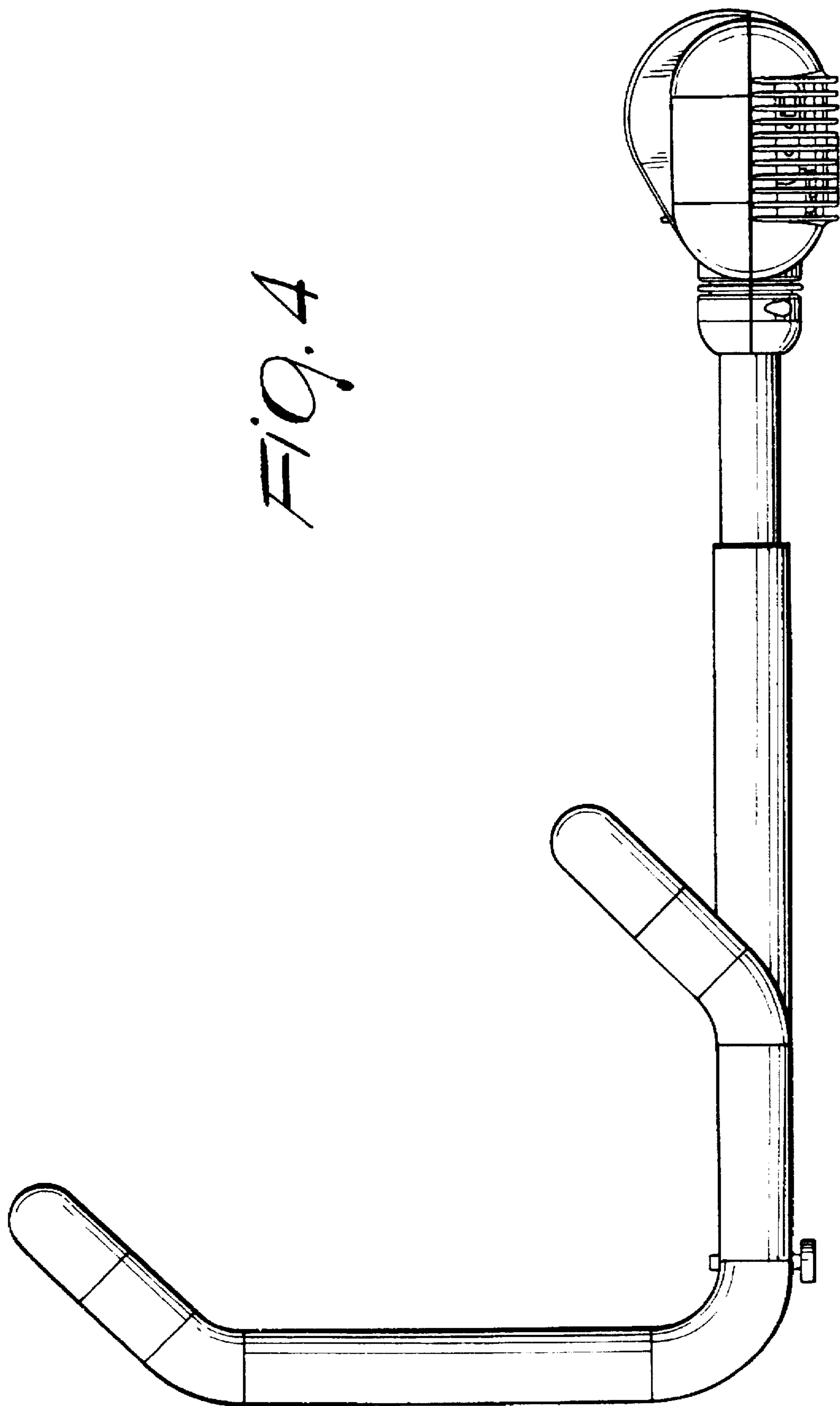
*Fig. 2*

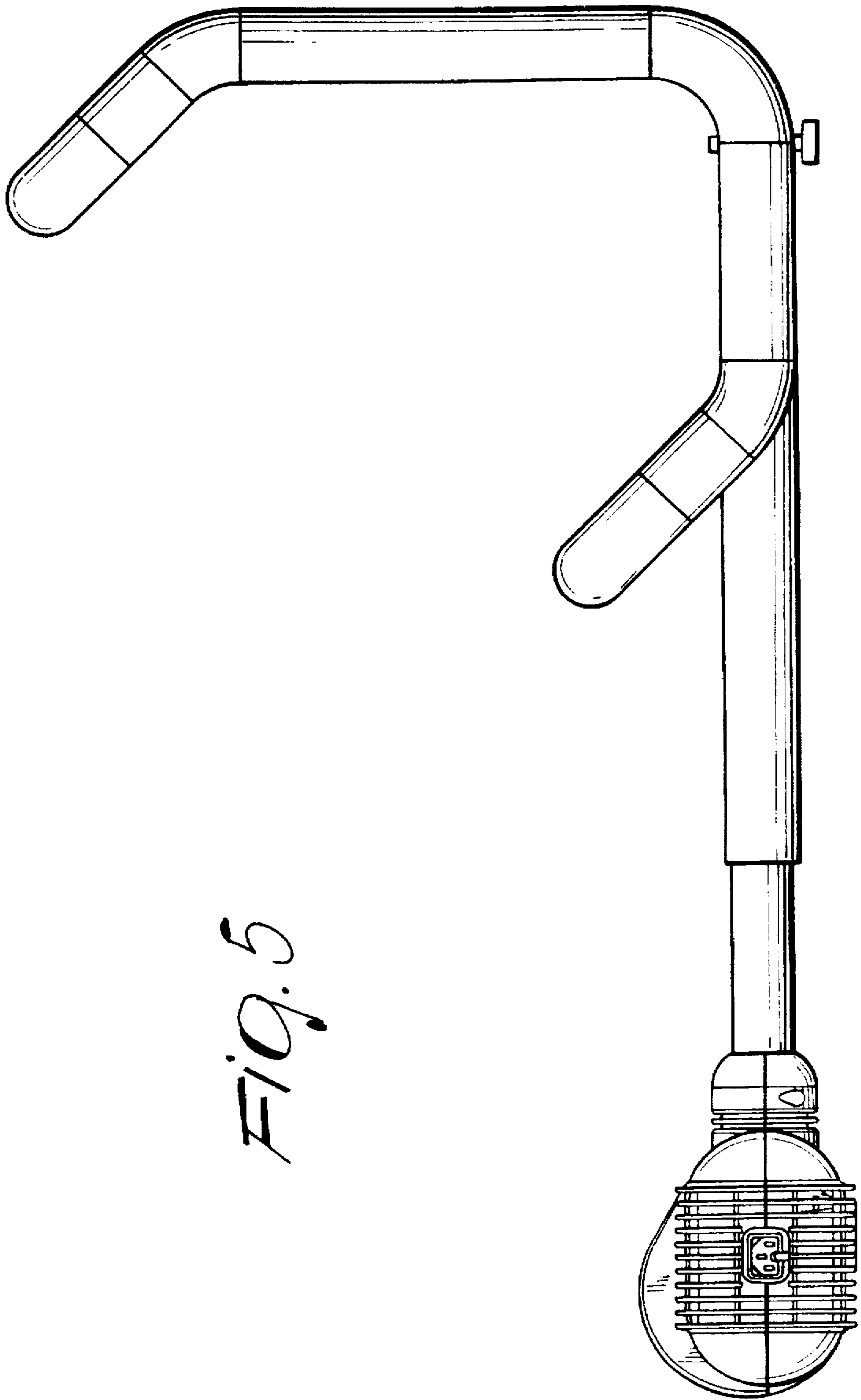


*Fig. 3*

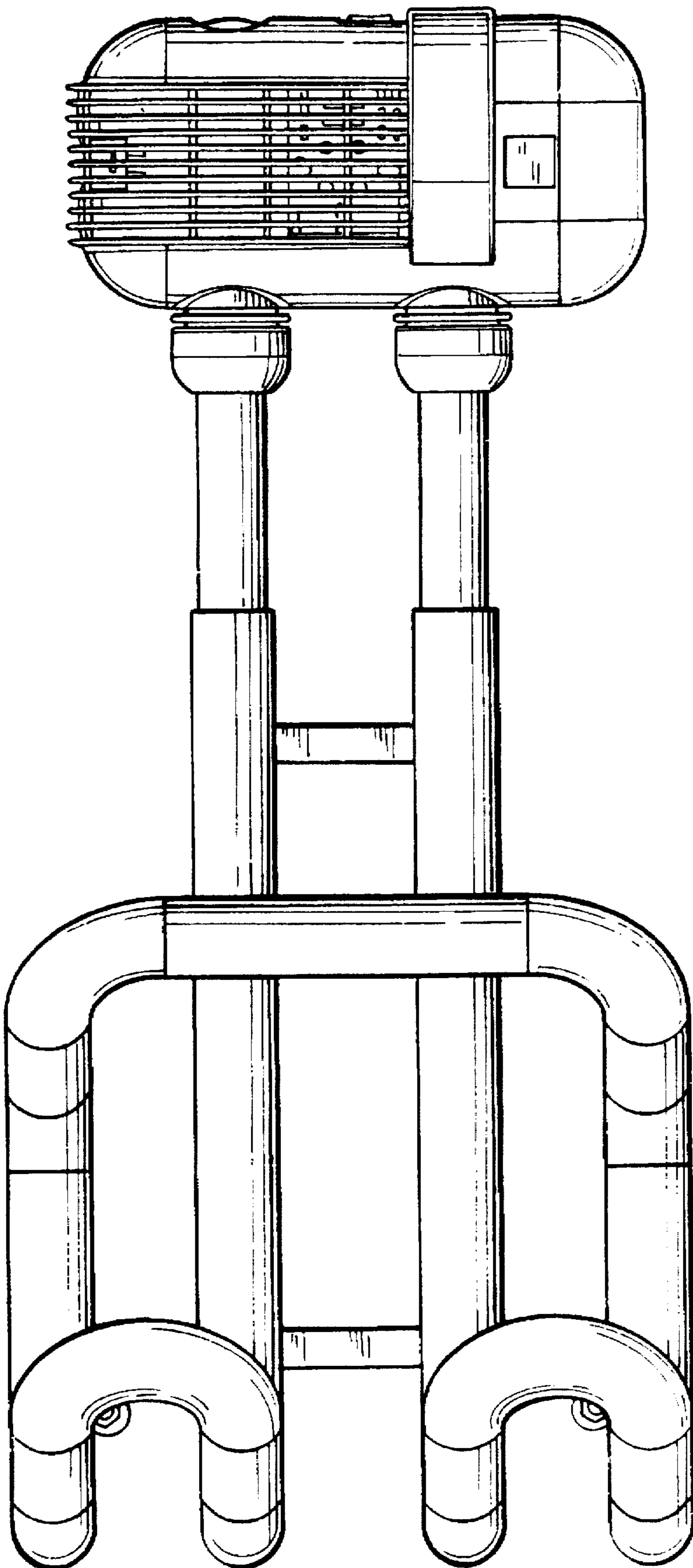


FIG. 4





*FIG. 5*



*Fig. 6*

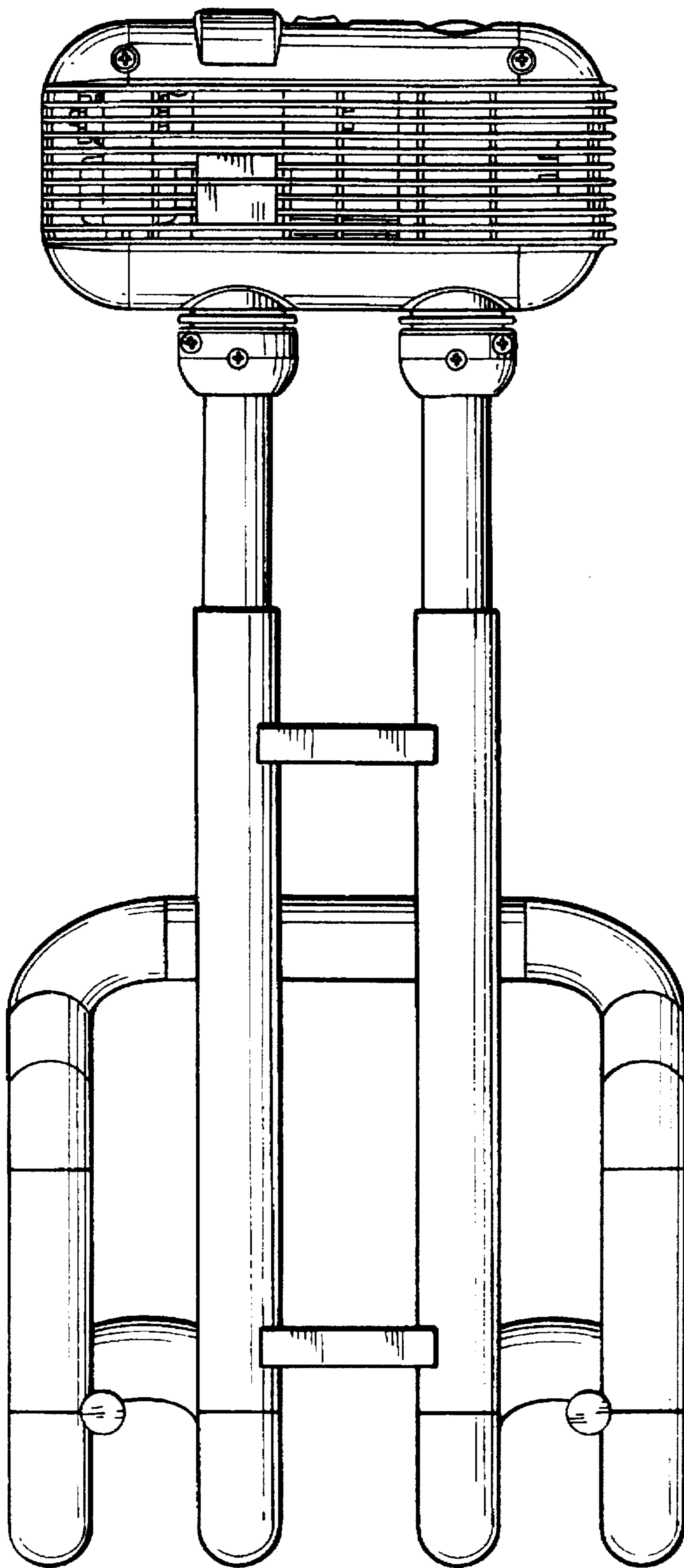


FIG. 7