



US00D392029S

United States Patent [19]
Singla Palacin

[11] **Patent Number:** **Des. 392,029**
[45] **Date of Patent:** ****Mar. 10, 1998**

[54] **BATHTUB**
[75] **Inventor:** **Jaime Singla Palacin**, Gava, Spain
[73] **Assignee:** **Compania Roca Radiadores, S.A.**,
Gava, Spain
[**] **Term:** **14 Years**
[21] **Appl. No.:** **62,751**
[22] **Filed:** **Nov. 22, 1996**
[30] **Foreign Application Priority Data**
May 23, 1996 [ES] Spain 137556
[51] **LOC (6) Cl.** **23-02**
[52] **U.S. Cl.** **D23/280.1**
[58] **Field of Search** **D23/277-280.4;**
4/538, 539, 546, 548, 551, 589, 584, 590

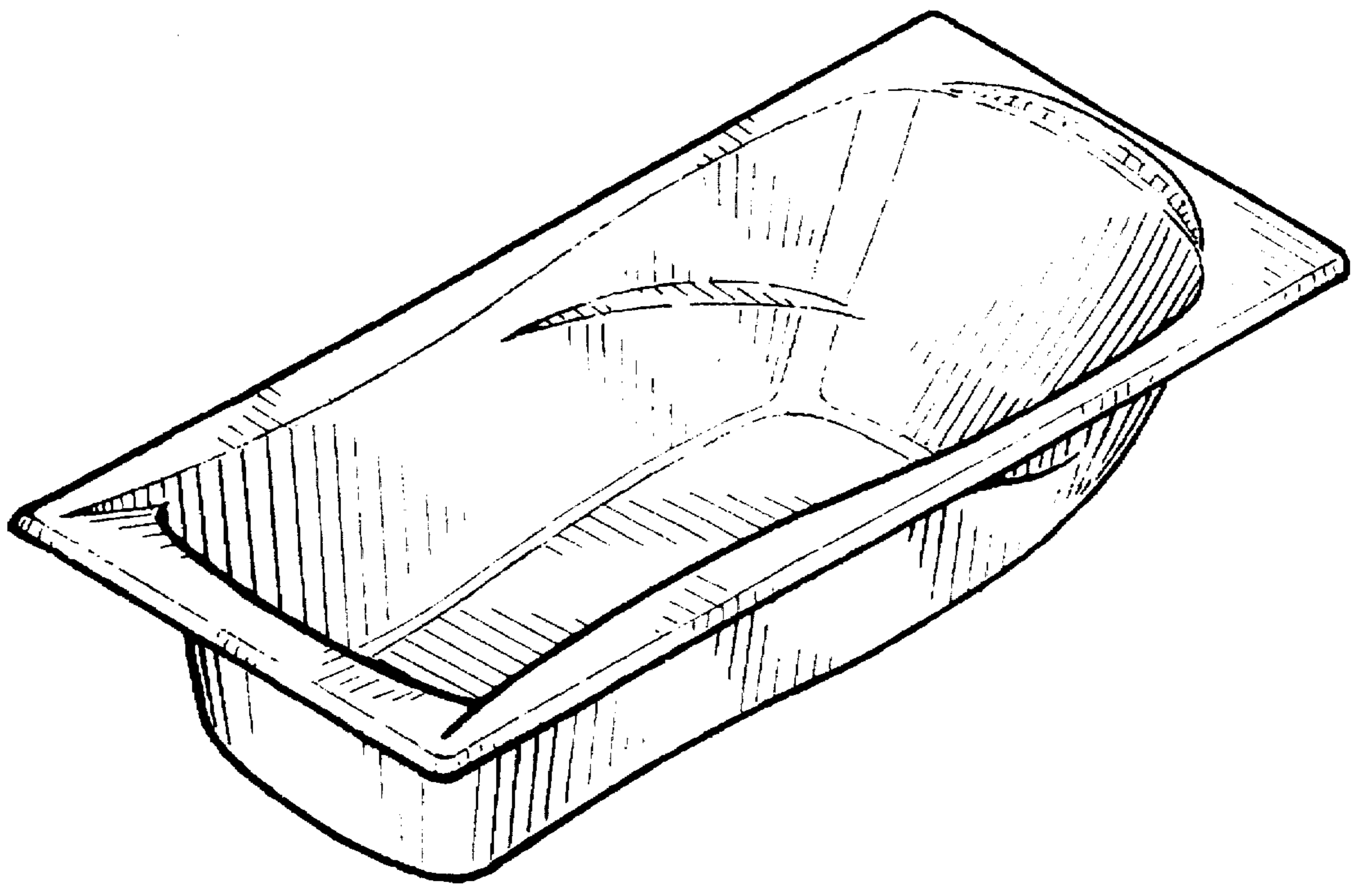
[56] **References Cited**
U.S. PATENT DOCUMENTS
D. 227,101 6/1973 Primault D23/280.3
D. 295,781 5/1988 Hubel D23/280.2
D. 318,908 8/1991 Reid D23/280.1
D. 339,413 9/1993 Dowse et al. D23/277

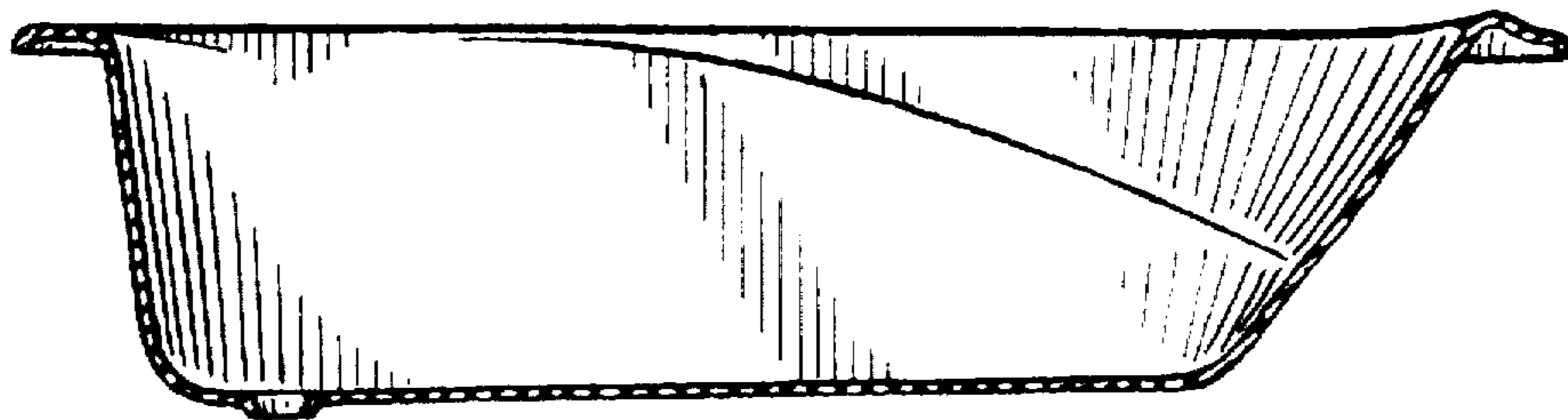
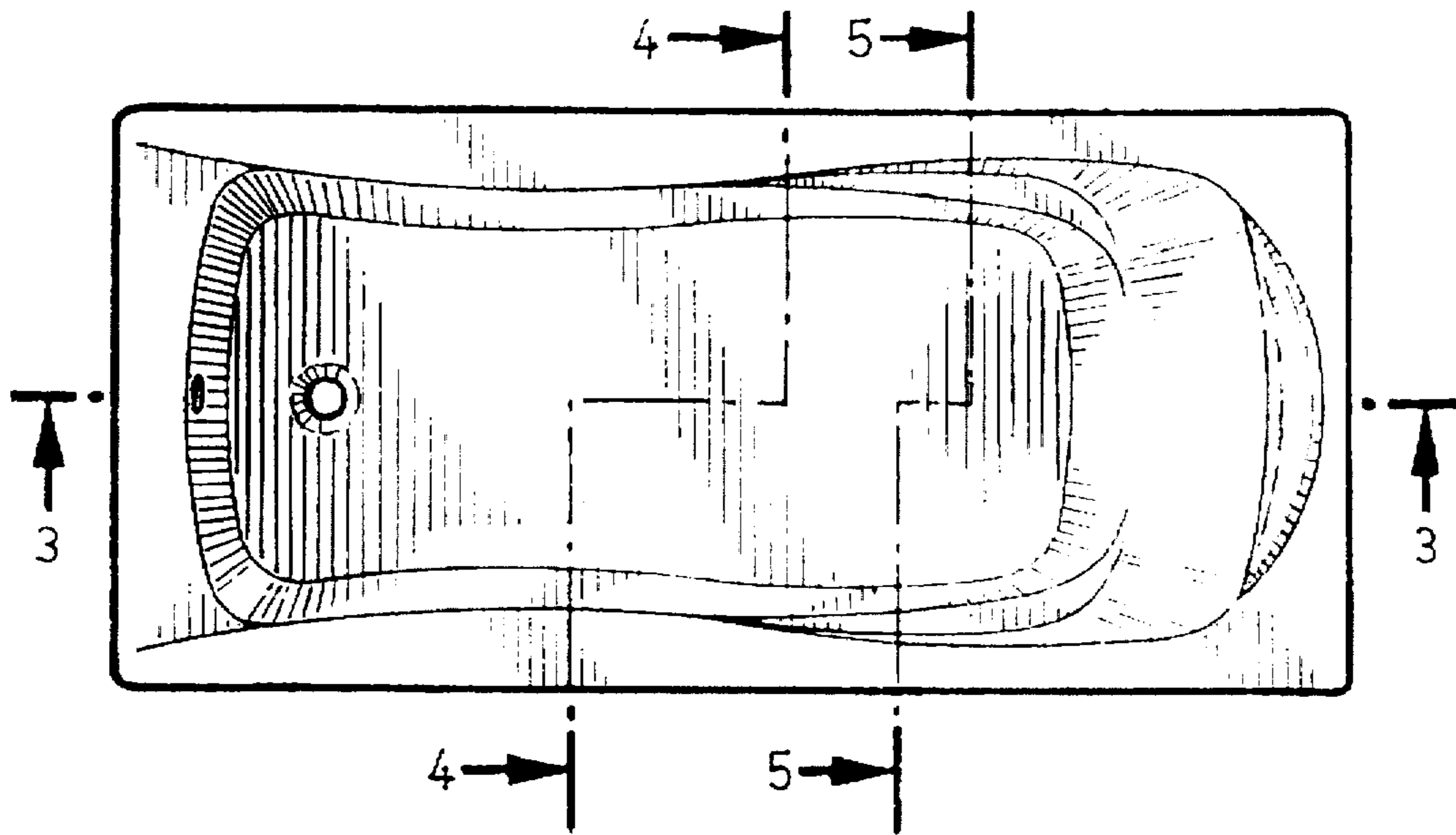
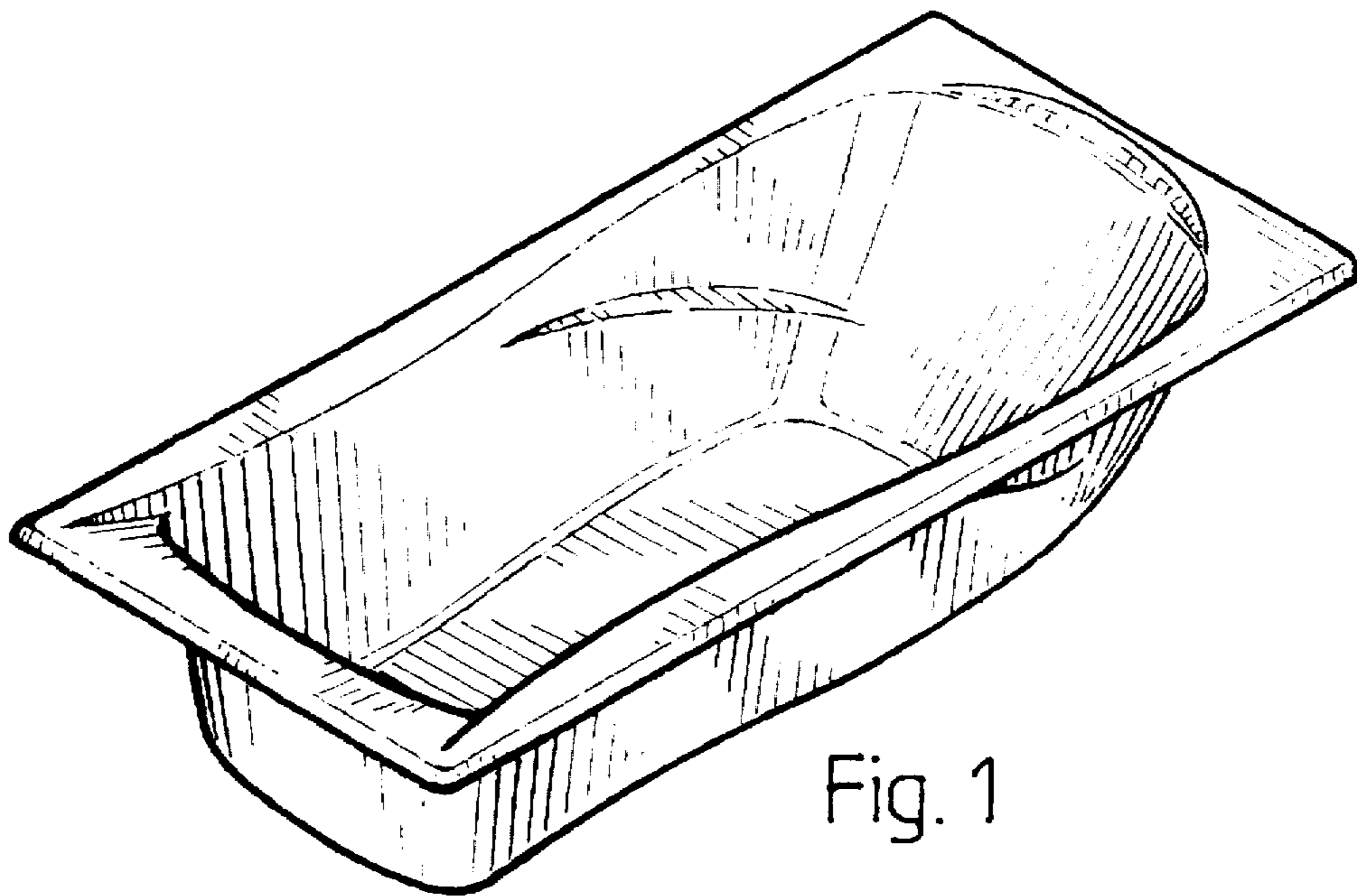
Primary Examiner—Louis S. Zarfes
Assistant Examiner—Eric Watterson
Attorney, Agent, or Firm—Jacobson, Price, Holman &
Stern, PLLC

[57] **CLAIM**
The ornamental design for the bathtub, as shown and
described.

DESCRIPTION
FIG. 1 is a front perspective view of the bathtub embodying
my design;
FIG. 2 is a top plan view of FIG. 1;
FIG. 3 is a cross-sectional view taken along line 3—3 of
FIG. 2;
FIG. 4 is a cross-sectional view taken along line 4—4 of
FIG. 2;
FIG. 5 is a cross-sectional view taken along line 5—5 of
FIG. 2;
FIG. 6 is a bottom view of FIG. 1;
FIG. 7 is a rear view of FIG. 1;
FIG. 8 is a front view of FIG. 1; and,
FIG. 9 is a left side elevational view of FIG. 1.

1 Claim, 2 Drawing Sheets





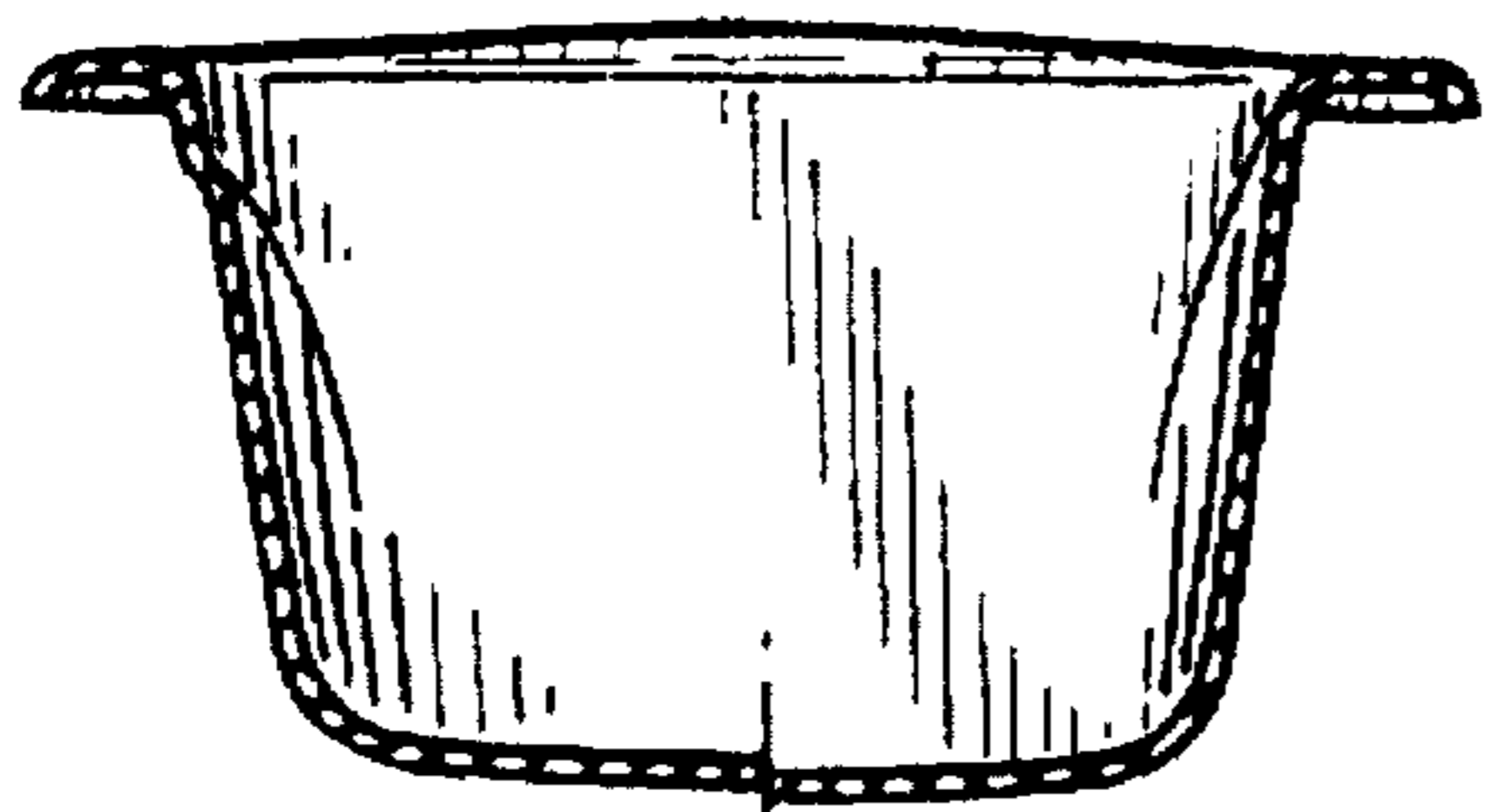


Fig. 4

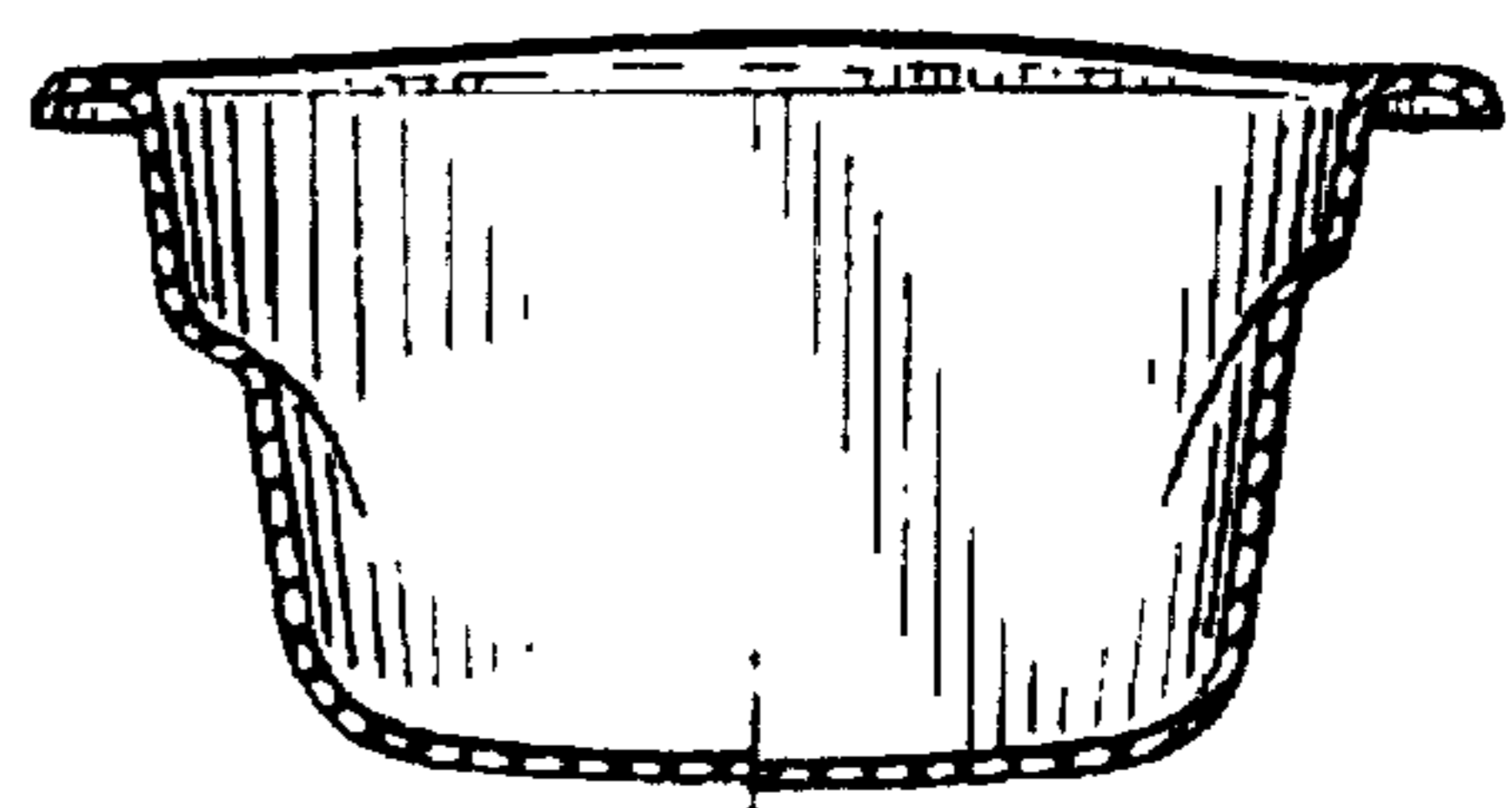


Fig. 5

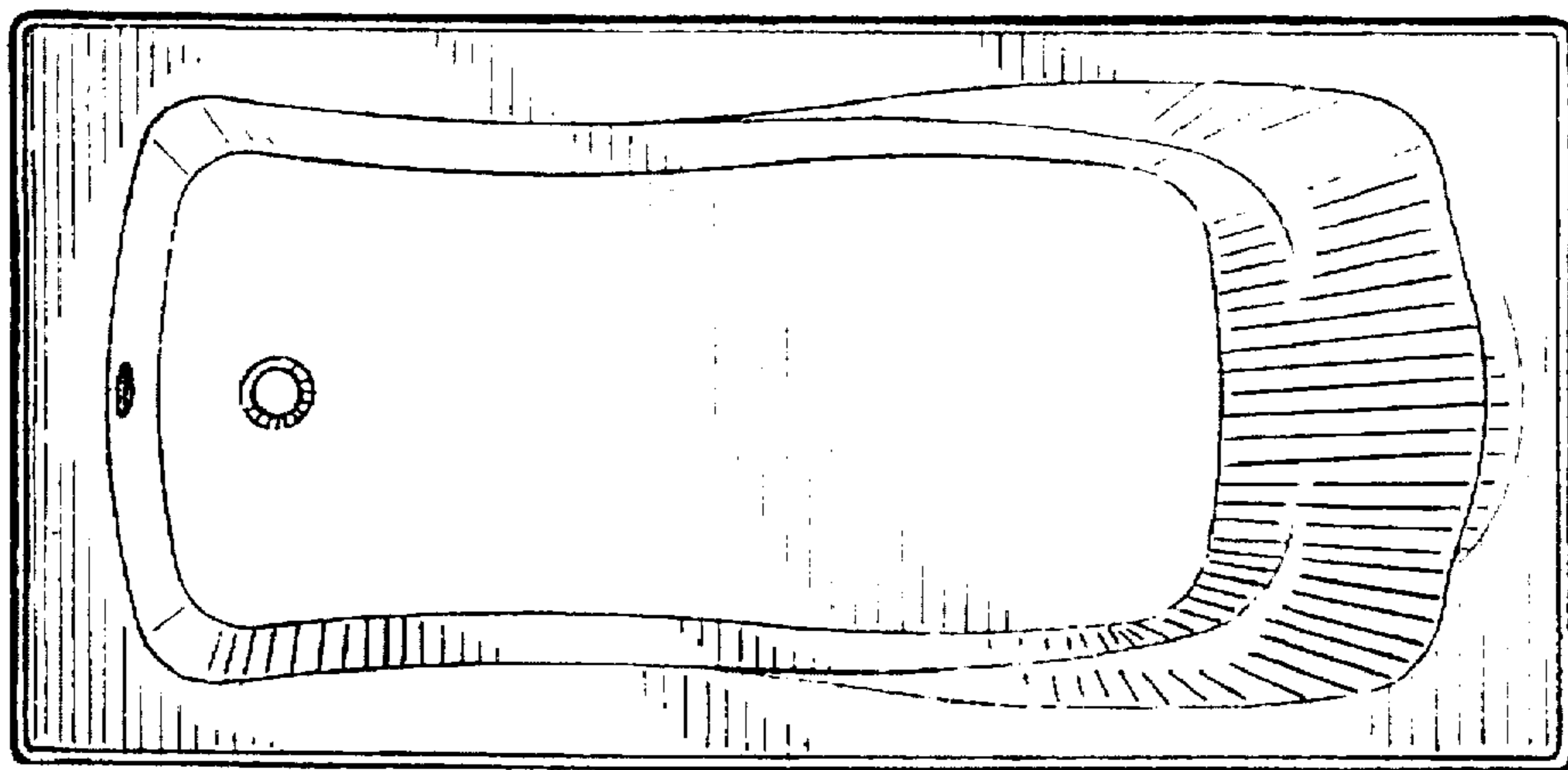


Fig. 6

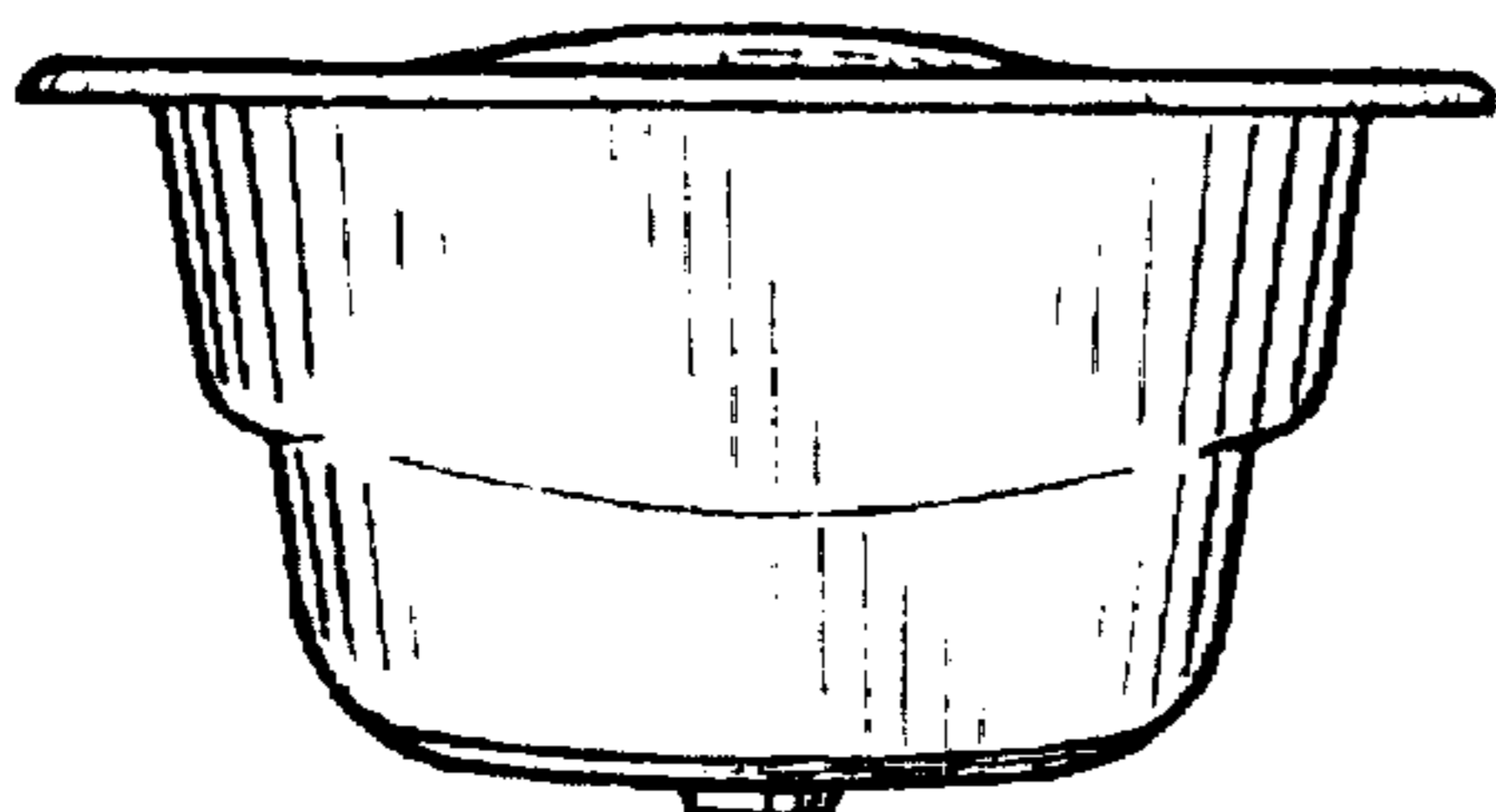


Fig. 7

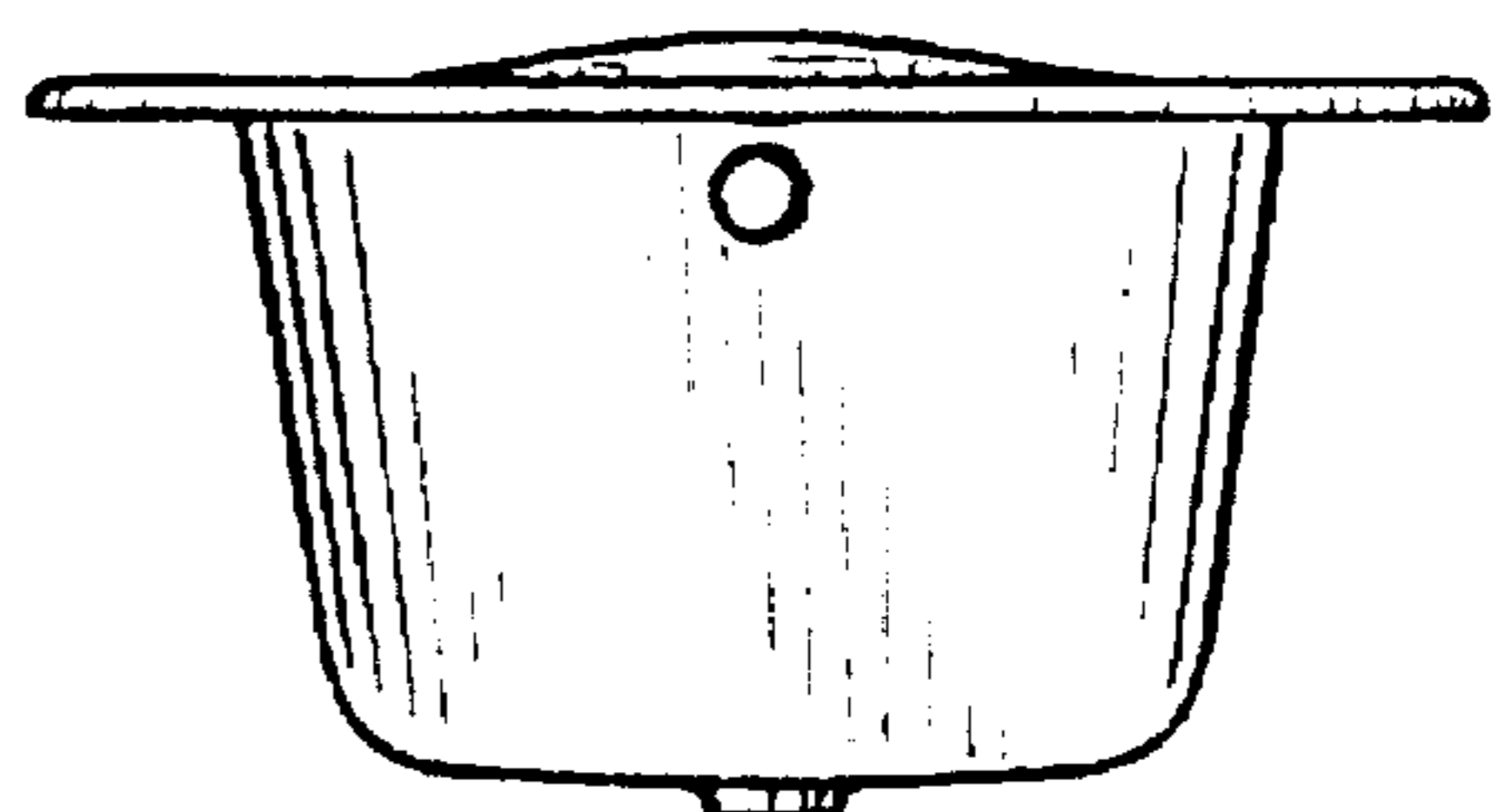


Fig. 8

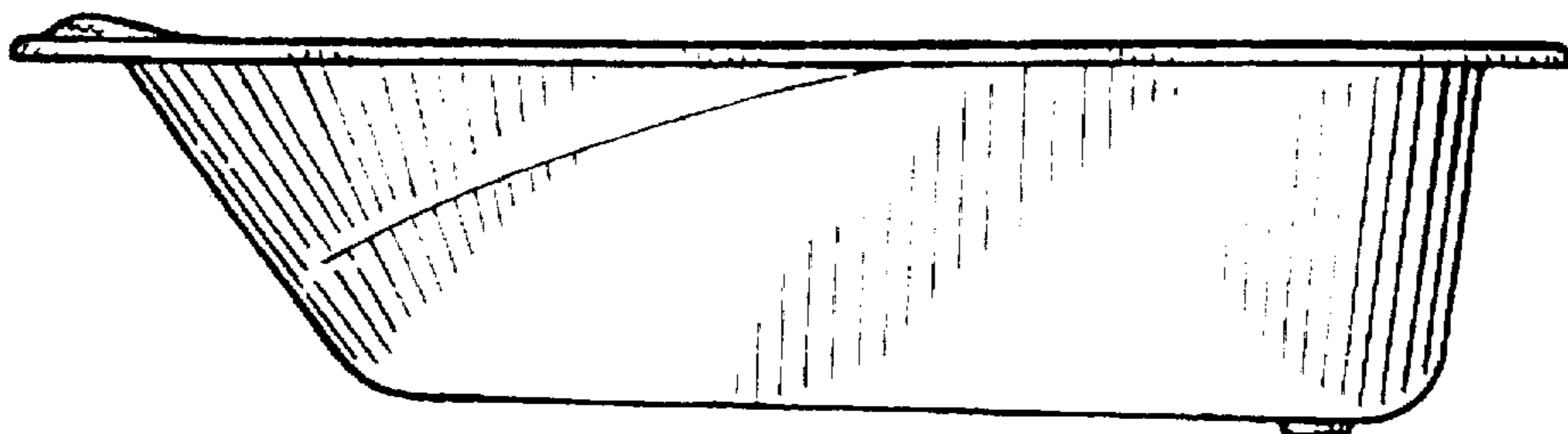


Fig. 9