



US00D392026S

United States Patent [19]

[11] Patent Number: Des. 392,026

Doughty et al.

[45] Date of Patent: **Mar. 10, 1998

[54] FAUCET BODY

[75] Inventors: **Frederic C. Doughty**, South Pasadena; **Darren M. Mark**, Valencia, both of Calif.

[73] Assignee: **Emhart Inc.**, Newark, Del.

[**] Term: **14 Years**

[21] Appl. No.: **74,115**

[22] Filed: **Jul. 29, 1997**

[51] LOC (6) Cl. **23-01**

[52] U.S. Cl. **D23/241**

[58] Field of Search D23/238-243, D23/250-257; 4/675-678; 137/801

[56] **References Cited**

U.S. PATENT DOCUMENTS

D. 278,271	4/1985	Niemann .	
D. 279,598	7/1985	Rademacher .	
D. 280,008	8/1985	Miller et al. .	
D. 288,836	3/1987	Yost .	
D. 289,318	4/1987	Yost .	
D. 293,362	12/1987	Hill et al. .	
D. 347,883	6/1994	Kolada et al. .	
D. 348,510	7/1994	Gottwald .	
D. 350,812	9/1994	Kolada et al. .	
D. 368,302	3/1996	Doughty et al. .	
D. 373,620	9/1996	Doughty et al.	D23/242
D. 377,516	1/1997	Doughty et al. .	
D. 378,230	2/1997	Doughty et al. .	
D. 384,132	9/1997	Doughty et al.	D23/241
D. 384,393	9/1997	Doughty et al. .	
D. 384,394	9/1997	Doughty et al.	D23/241
D. 384,396	9/1997	Doughty et al. .	
3,427,049	2/1969	Politz .	

OTHER PUBLICATIONS

Harden Industries, Inc. "Top Brass Series 10, and 83 & 84". American Standard, Inc. "Sottini Azimuth" and the Cadet Collection; 1991.

Artistic Brass; "Bath & Accessories" and the Cadet Prestige faucet; 1996.

Artistic Brass; "Bath & Accessories" and the Cadet Collection; 1996.

Artistic Brass; "Colonial Series".

Artistic Brass; "32 Series"; 1989.

Artistic Brass; "34 Series"; 63 Series, 64 Series, and 68 Series faucets; 1991.

Delta Faucet Company; "NeoStyle" faucet; 1992.

Raphael Ltd.; "Venetian" faucet; 1988.

Price Pfister, Inc.; 1991.

Price Pfister, Inc.; "Product Portfolio"; 1994.

Price Pfister, Inc.; "Pocket Portfolio"; 1997.

Primary Examiner—Louis S. Zarfes

Assistant Examiner—Eric Watterson

Attorney, Agent, or Firm—Harold Weinstein

[57] **CLAIM**

The ornamental design for faucet body, as shown and described.

DESCRIPTION

FIG. 1 is a perspective view of our new design of the faucet body;

FIG. 2 is a front elevational view of our new design of the faucet body;

FIG. 3 is a rear elevational view of our new design of the faucet body;

FIG. 4 is a right side elevational view of our new design of the faucet body;

FIG. 5 is a left side elevational view of our new design of the faucet body;

FIG. 6 is a top plan view of our new design of the faucet body; and,

FIG. 7 is a bottom plan view of our new design of the faucet body.

1 Claim, 4 Drawing Sheets

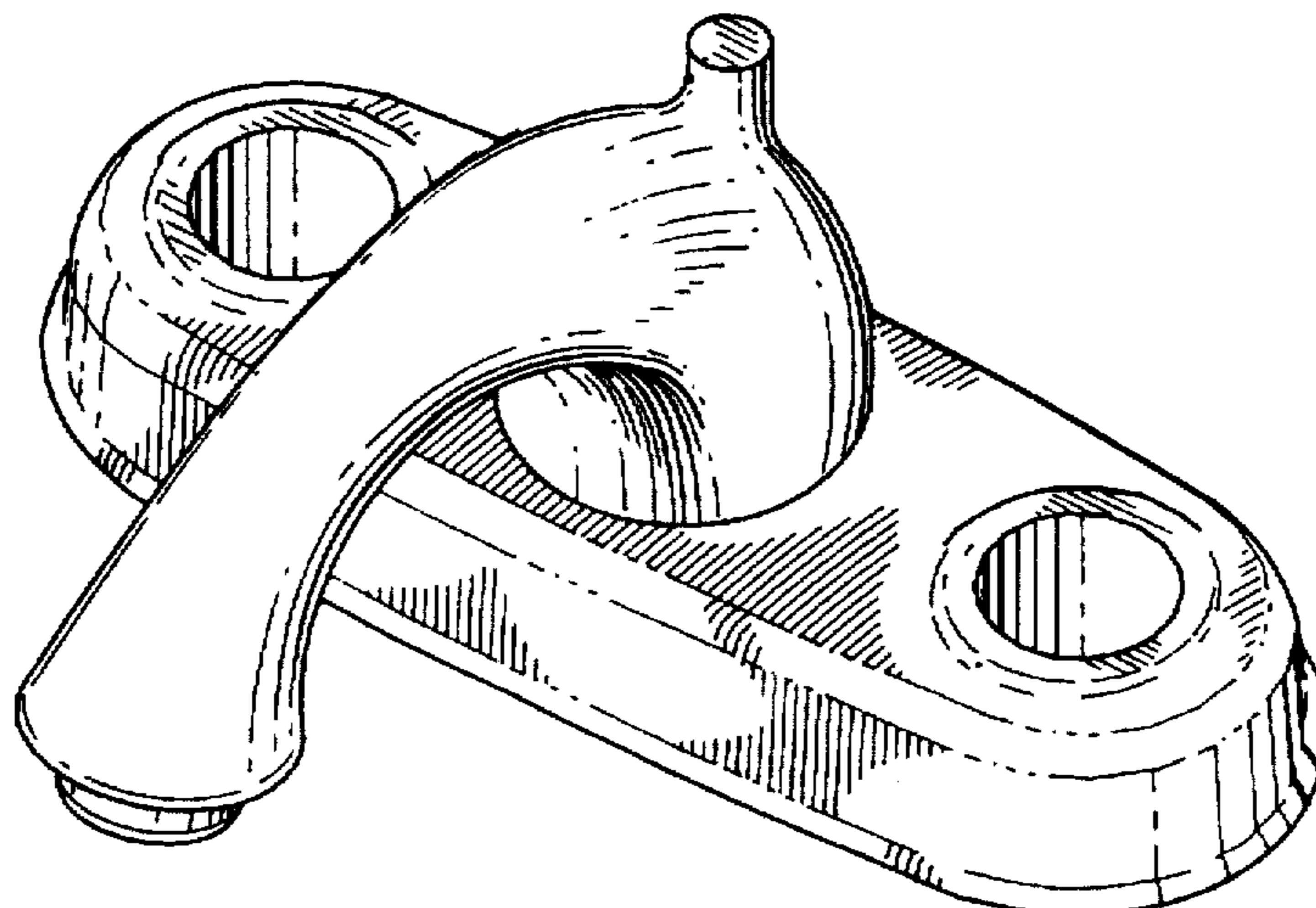
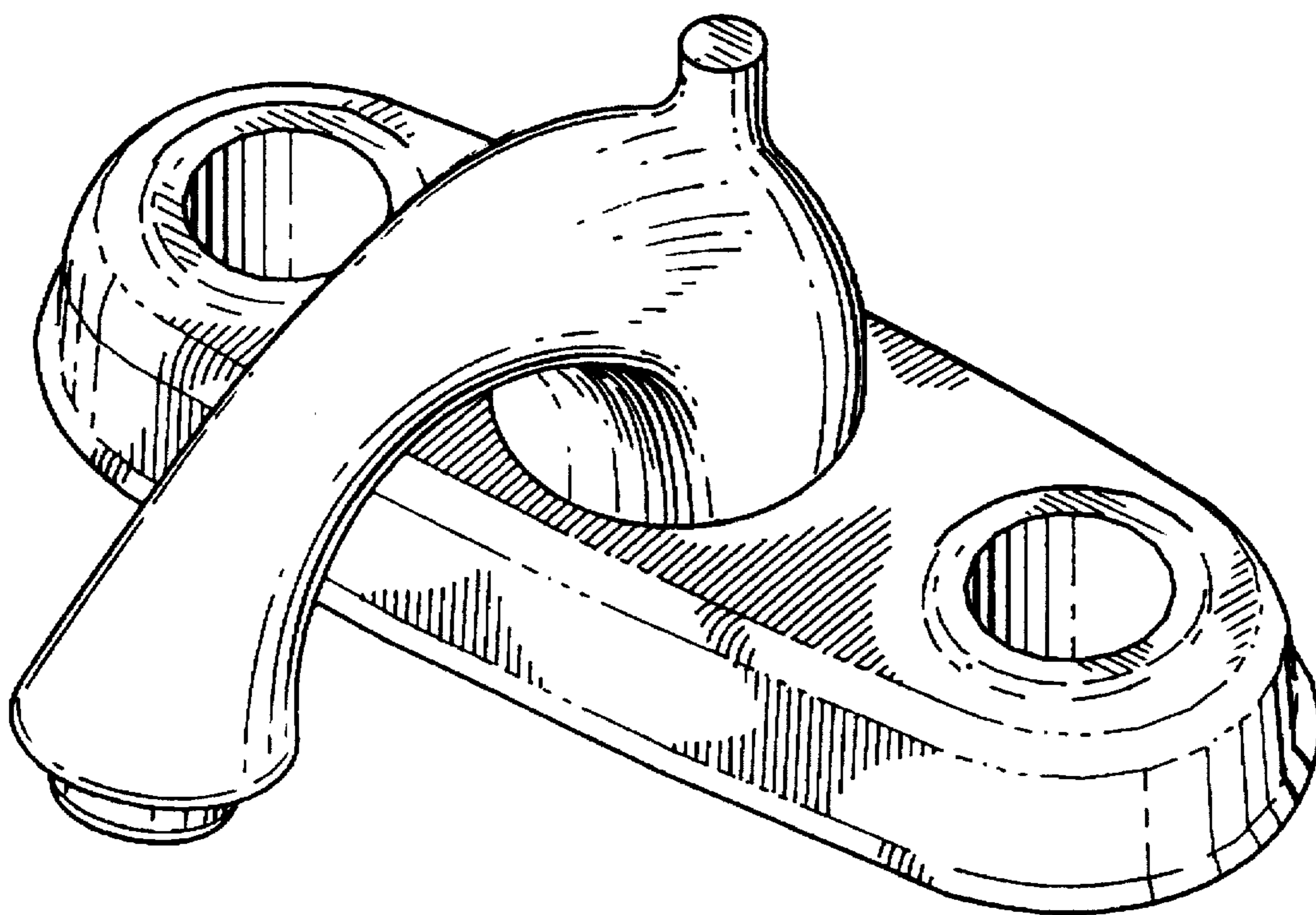


FIG. 1



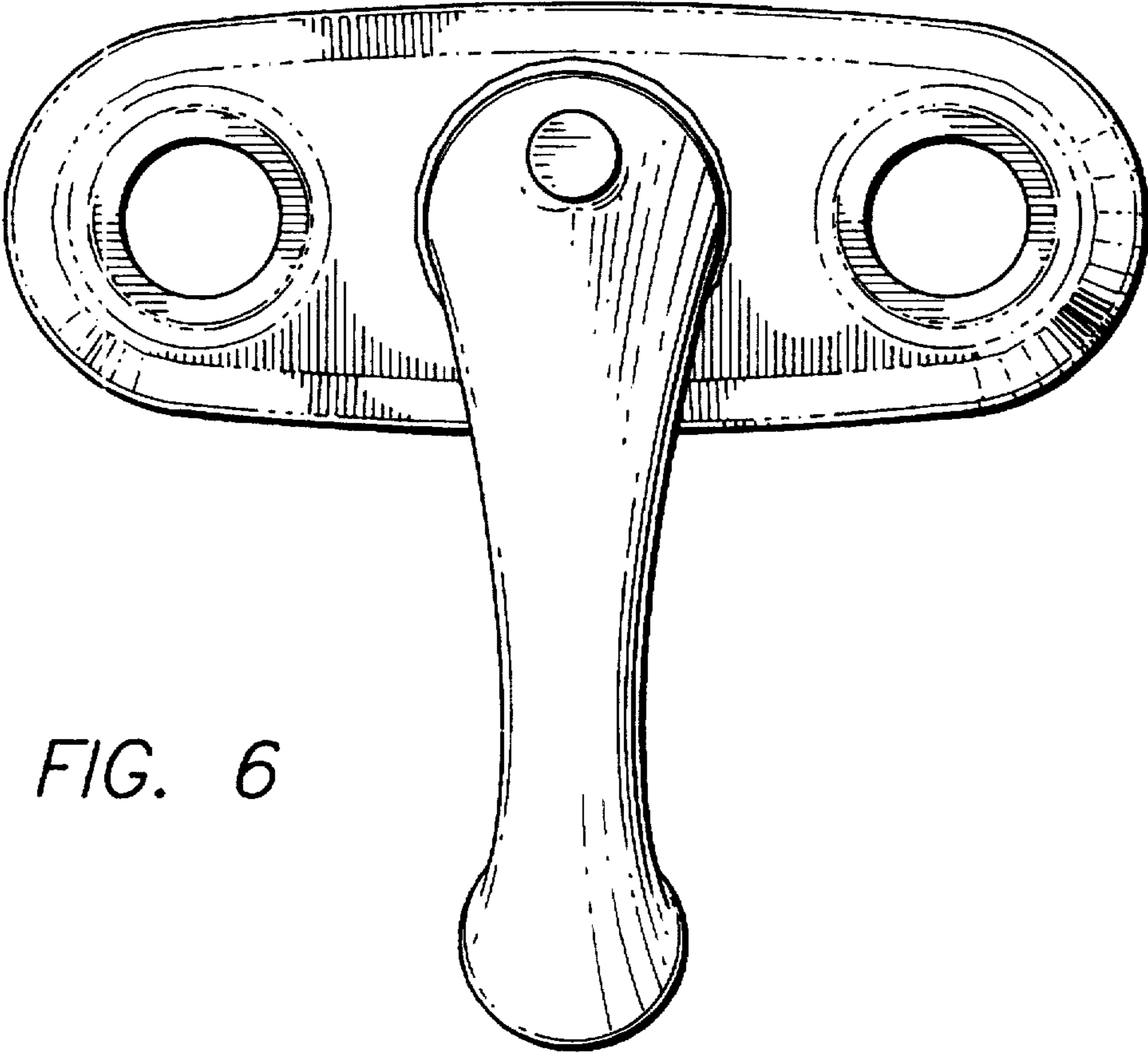


FIG. 6

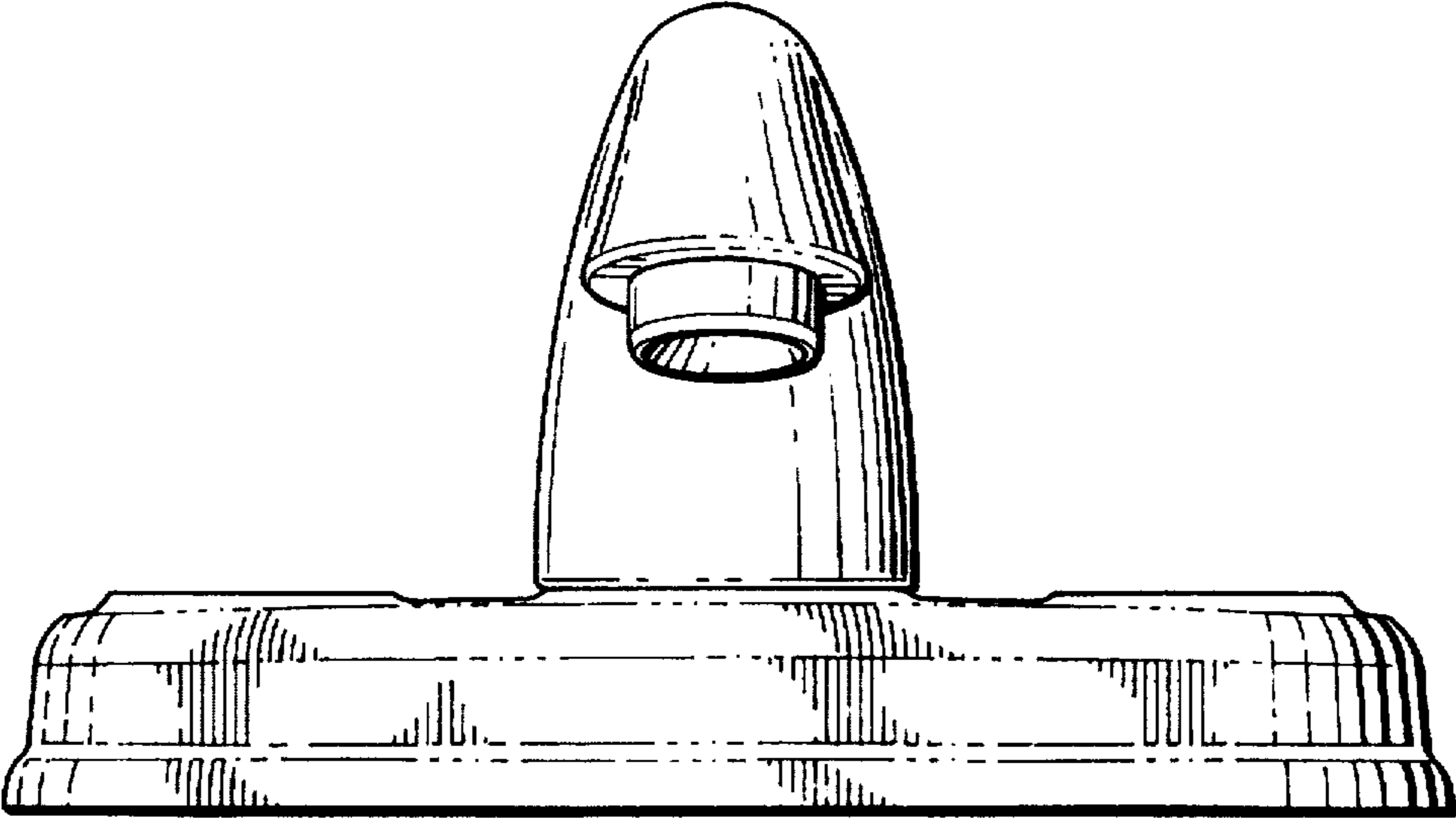


FIG. 2

FIG. 7

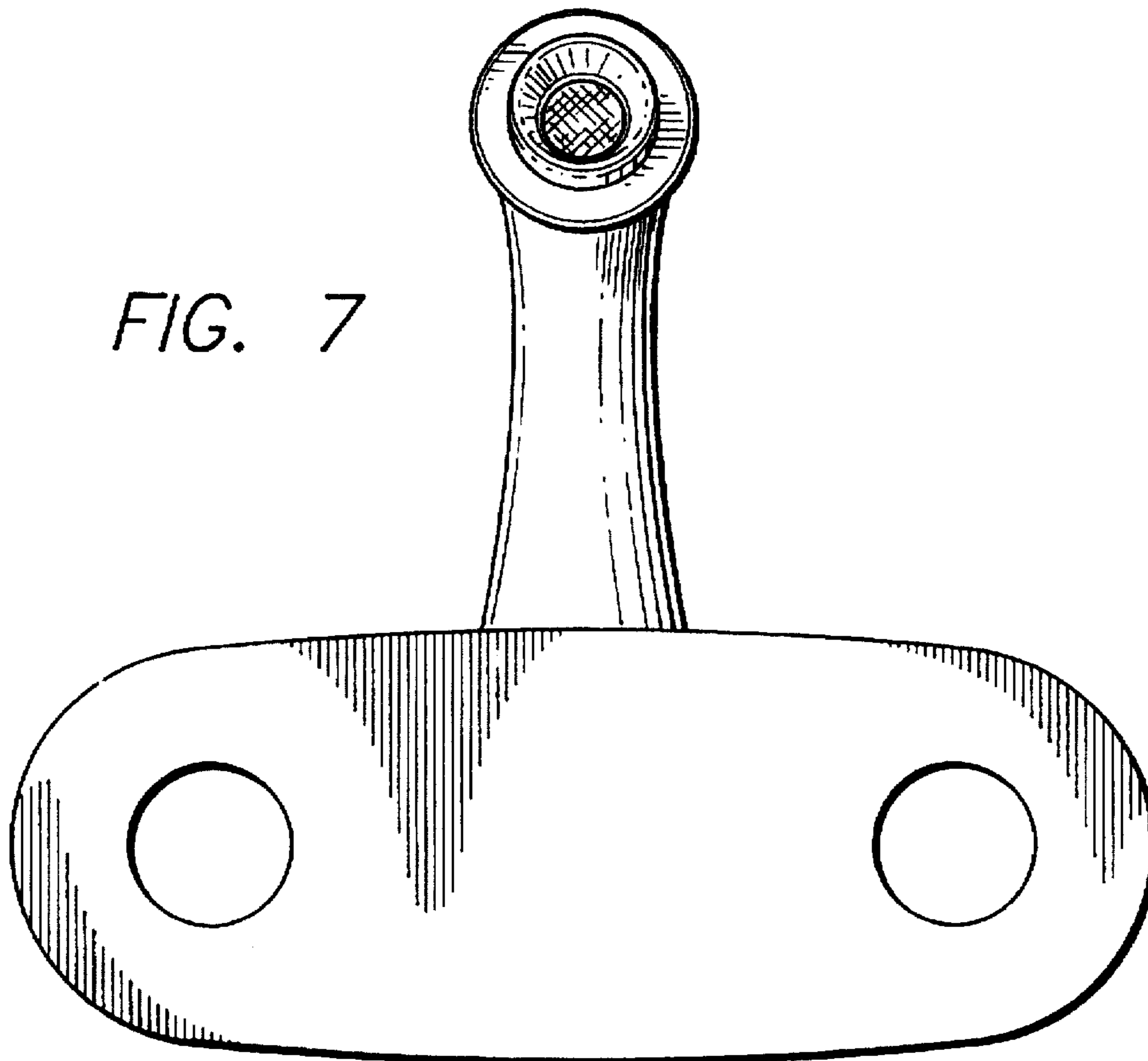
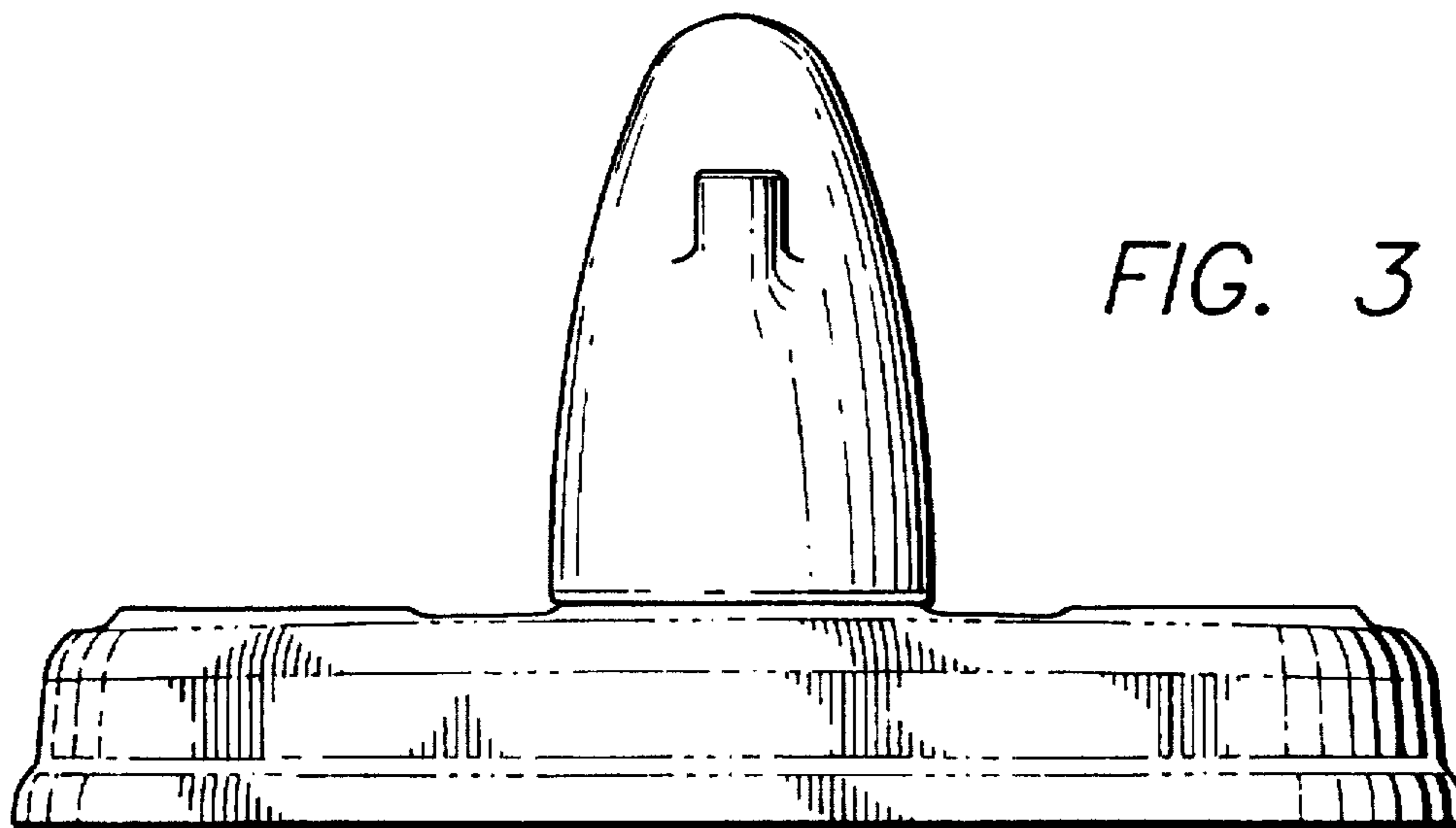


FIG. 3



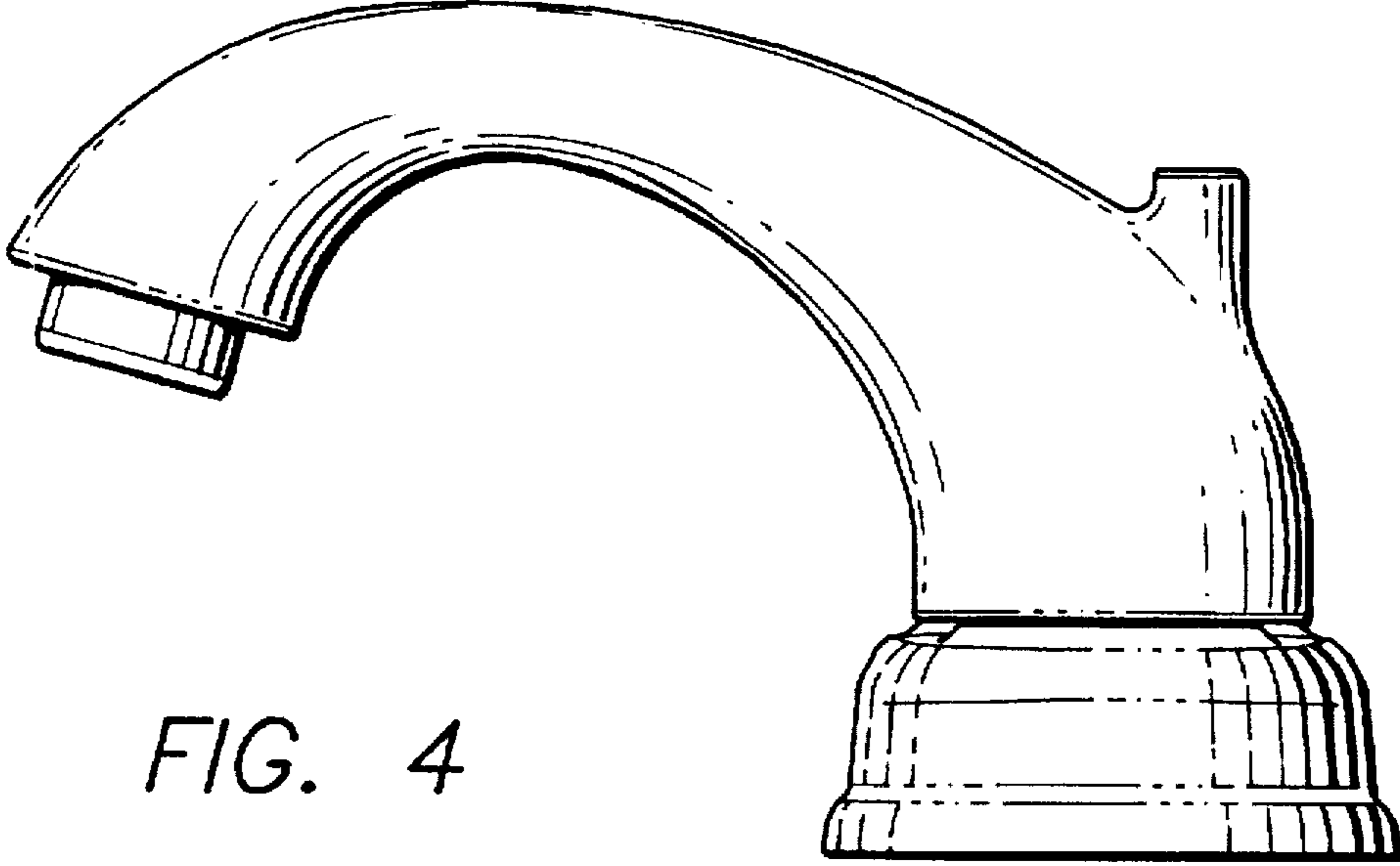


FIG. 4

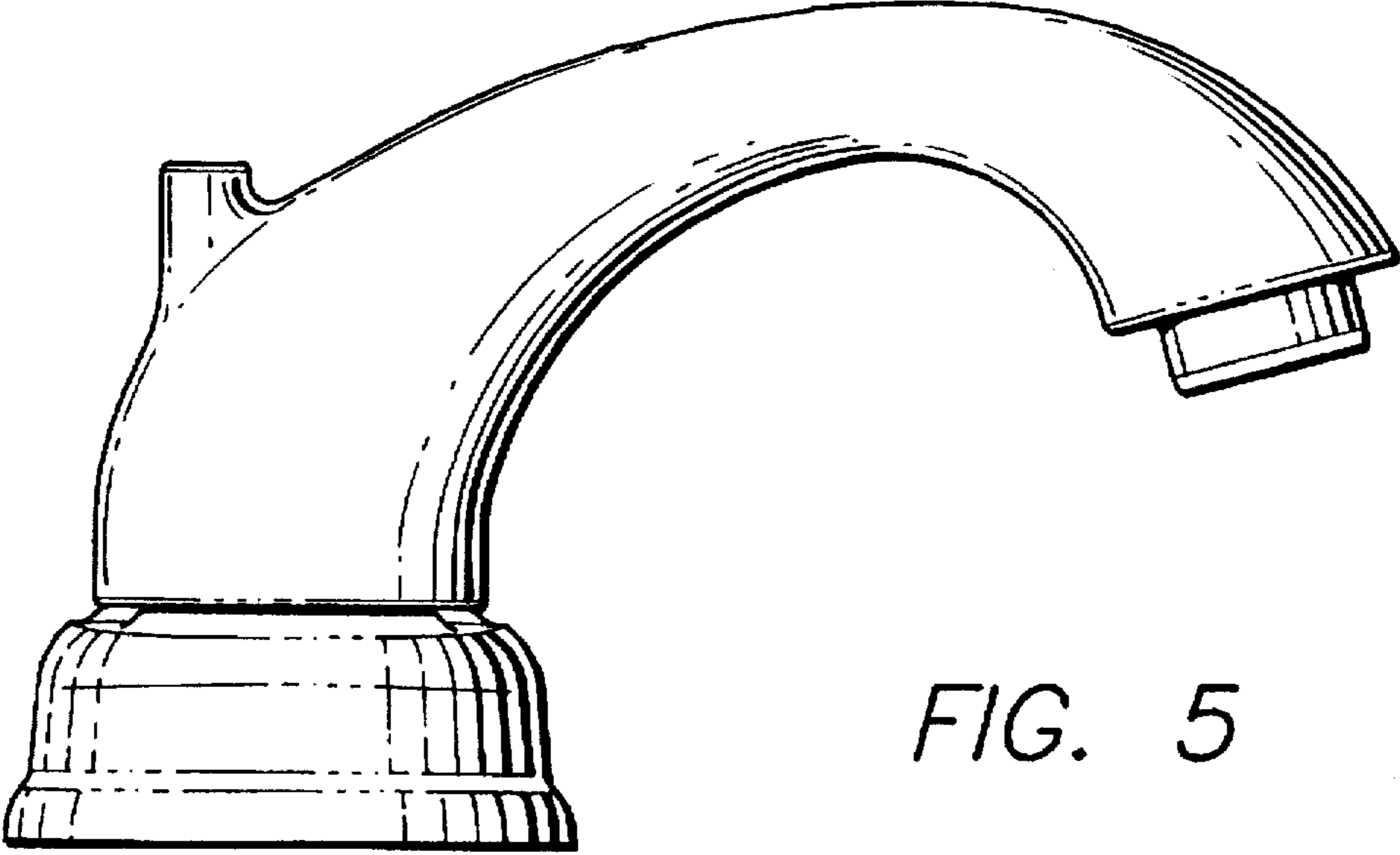


FIG. 5