



US00D392025S

United States Patent [19]

Doughty et al.

[11] Patent Number: **Des. 392,025**

[45] Date of Patent: ****Mar. 10, 1998**

[54] **FAUCET**

[75] Inventors: **Frederic C. Doughty**, South Pasadena;
Darren M. Mark, Valencia; **Alvin Tolosa**, Ventura City, all of Calif.

[73] Assignee: **Emhart Inc.**, Newark, Del.

[**] Term: **14 Years**

[21] Appl. No.: **74,630**

[22] Filed: **Aug. 8, 1997**

[51] **LOC (6) Cl.** **23-01**

[52] **U.S. Cl.** **D23/238**

[58] **Field of Search** **D23/238-243,**
D23/250-257; 4/675-678; 137/801

[56] **References Cited**

U.S. PATENT DOCUMENTS

- D. 235,546 6/1975 Landell D23/241
- D. 360,931 8/1995 Mark et al. .
- D. 367,697 3/1996 Haug et al. .
- D. 368,764 4/1996 Hill et al. .
- D. 378,774 4/1997 Kergoet .
- D. 380,252 6/1997 Abel D23/241
- D. 384,407 9/1997 Doughty et al. D23/241
- D. 385,075 10/1997 Mandsley D23/241
- 2,334,791 11/1943 Roffy .

- 4,107,046 8/1978 Corder .
- 4,805,245 2/1989 Herring .
- 5,083,589 1/1992 Wilcock .
- 5,107,896 4/1992 Otto .
- 5,139,050 8/1992 Otto .
- 5,279,329 1/1994 Pippel .
- 5,634,220 6/1997 Chiu .

Primary Examiner—Louis S. Zarfes
Assistant Examiner—Eric Watterson
Attorney, Agent, or Firm—Harold Weinstein

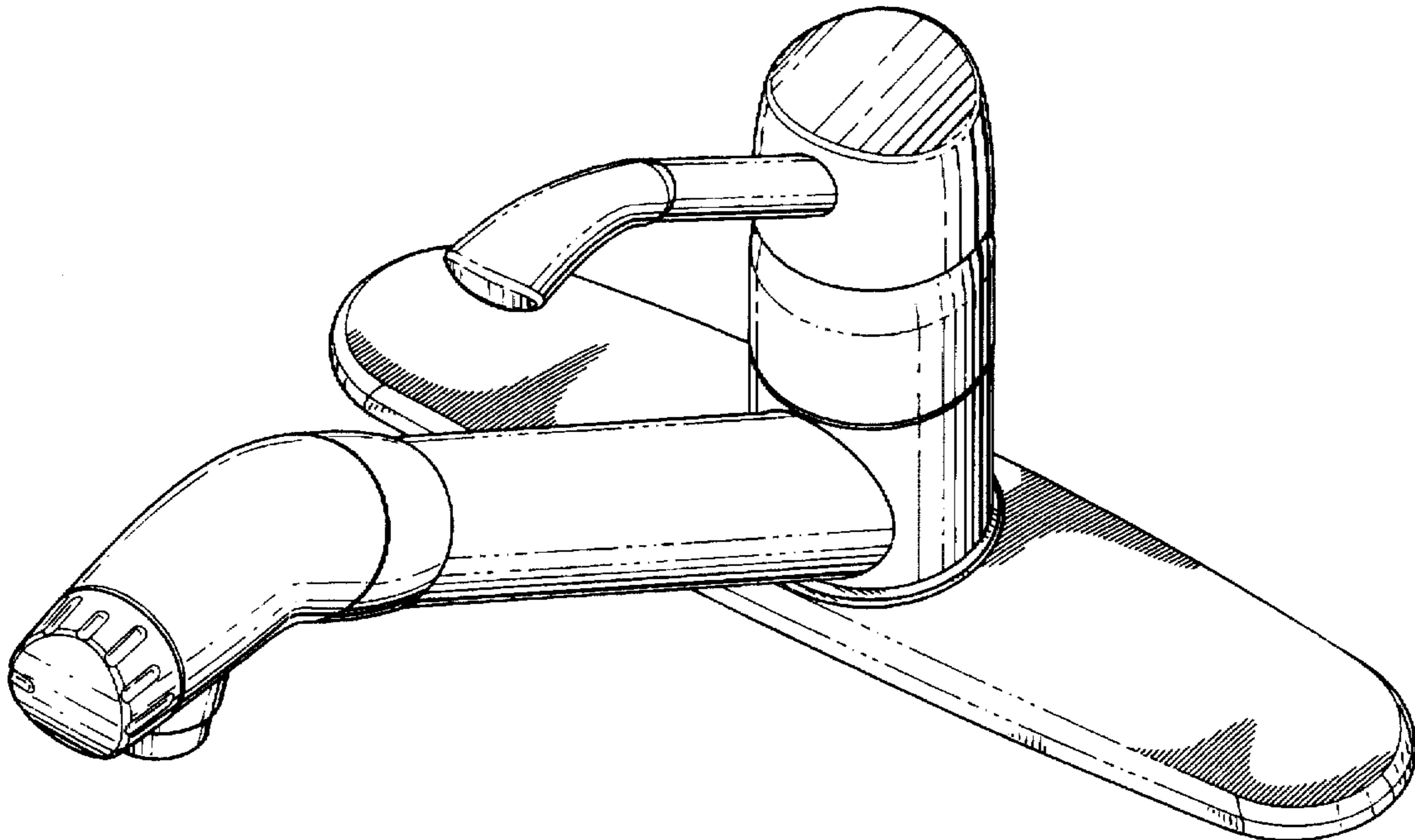
[57] **CLAIM**

The ornamental design for faucet, as shown and described.

DESCRIPTION

FIG. 1 is a perspective view of our new design of the faucet;
 FIG. 2 is a front elevational view of our new design of the faucet;
 FIG. 3 is a rear elevational view of our new design of the faucet;
 FIG. 4 is a right side elevational view of our new design of the faucet;
 FIG. 5 is a left side elevational view of our new design of the faucet;
 FIG. 6 is a top plan view of our new design of the faucet;
 and,
 FIG. 7 is a bottom plan view of our new design of the faucet.

1 Claim, 7 Drawing Sheets



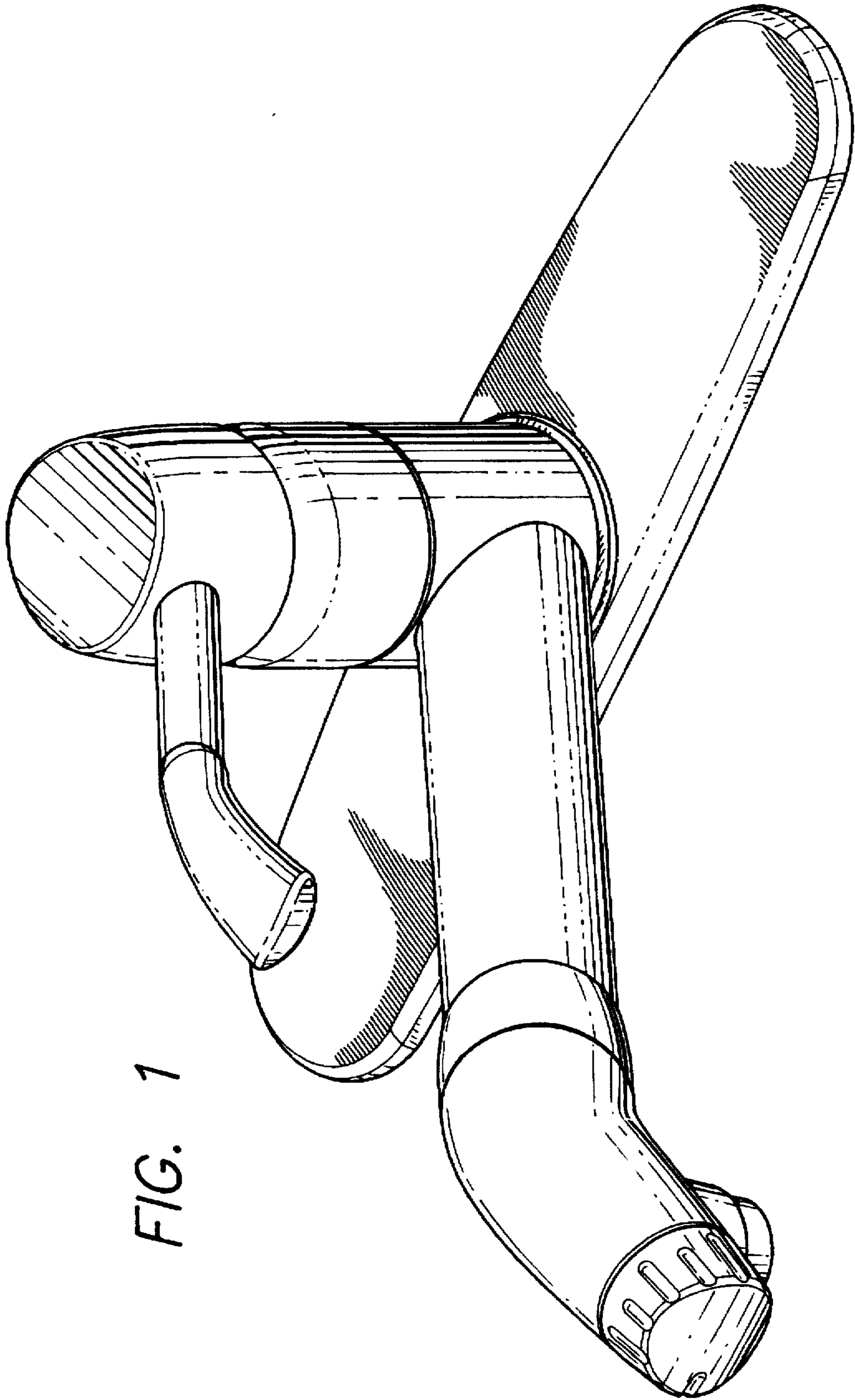


FIG. 1

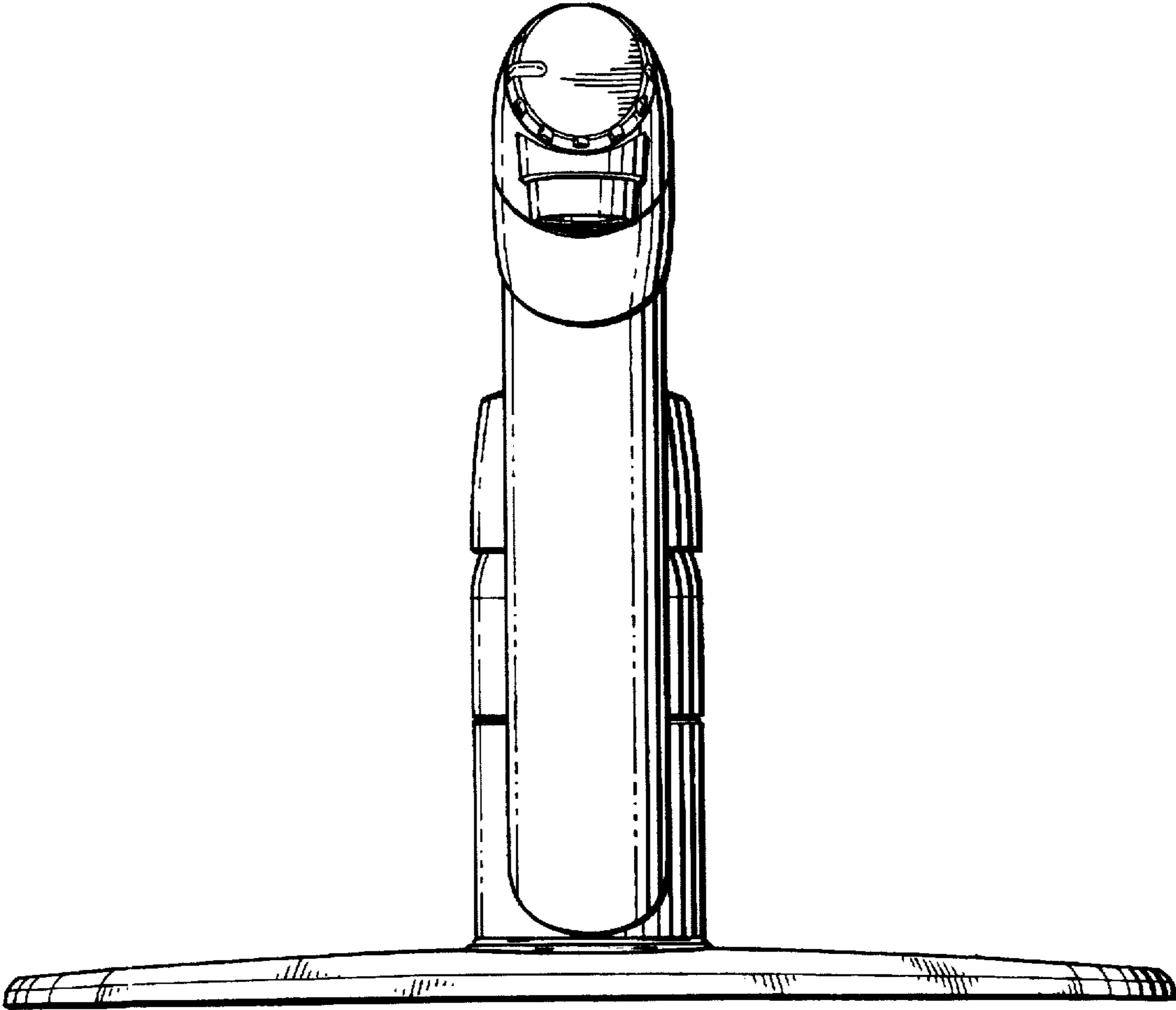


FIG. 2

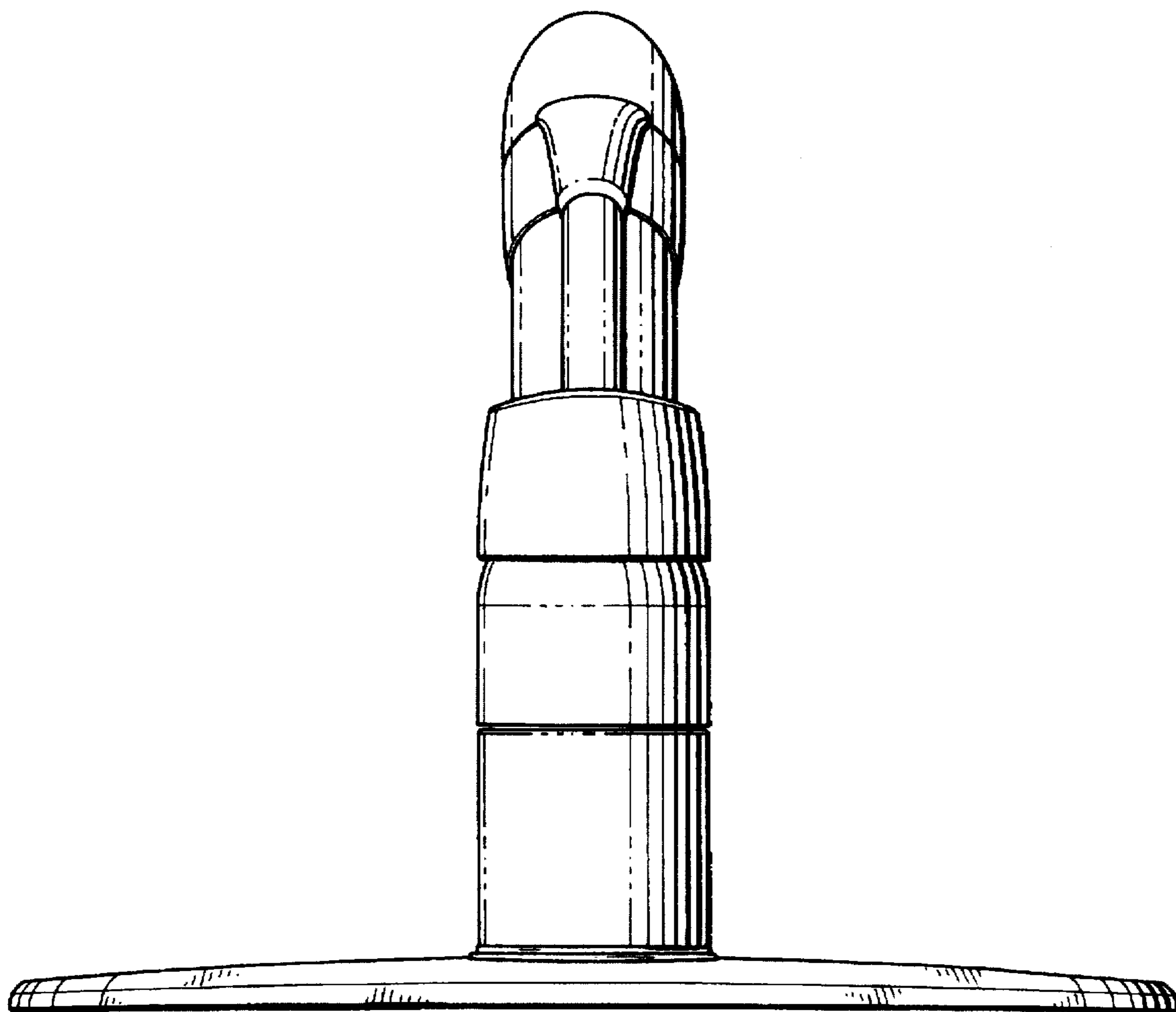


FIG. 3

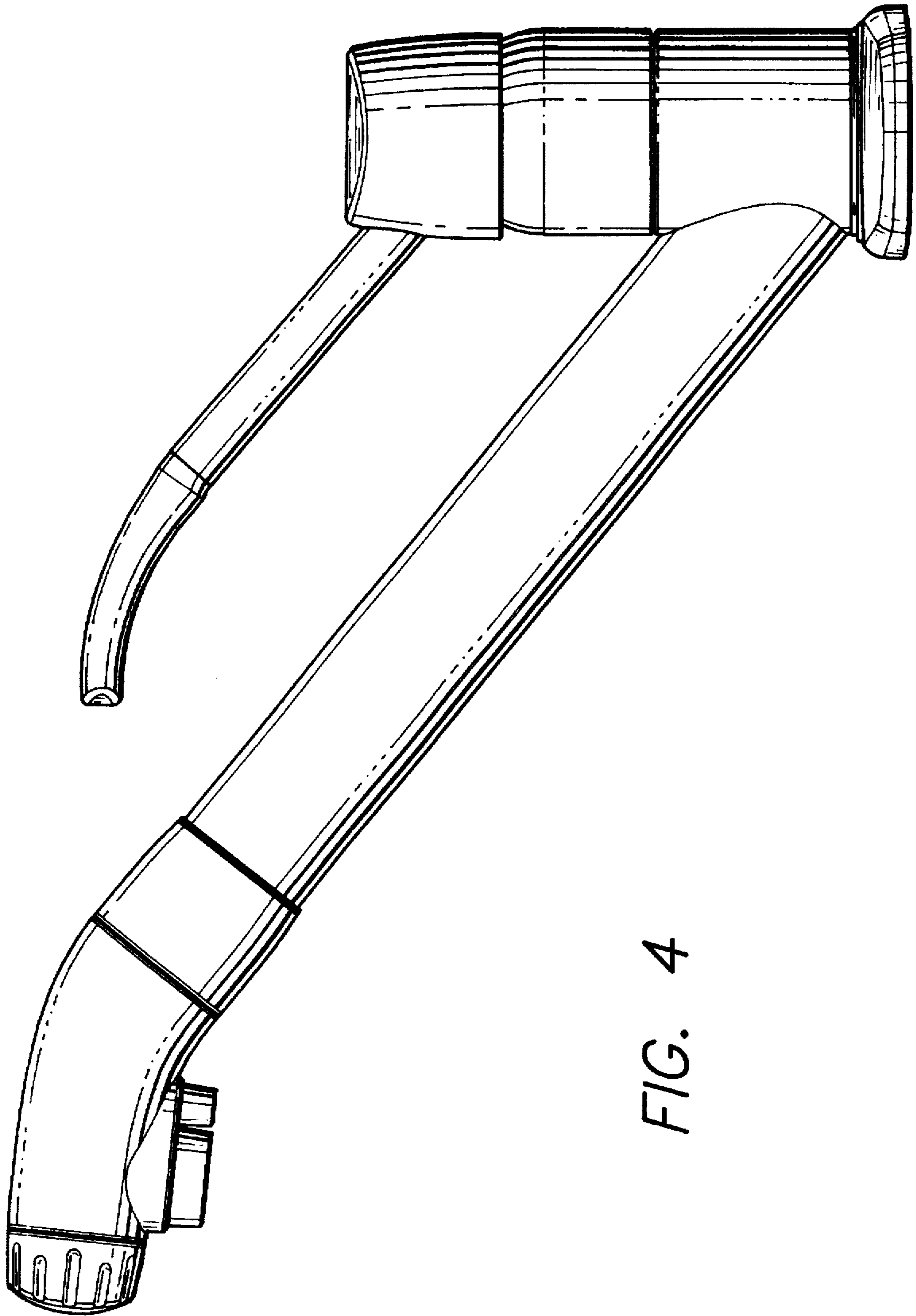


FIG. 4

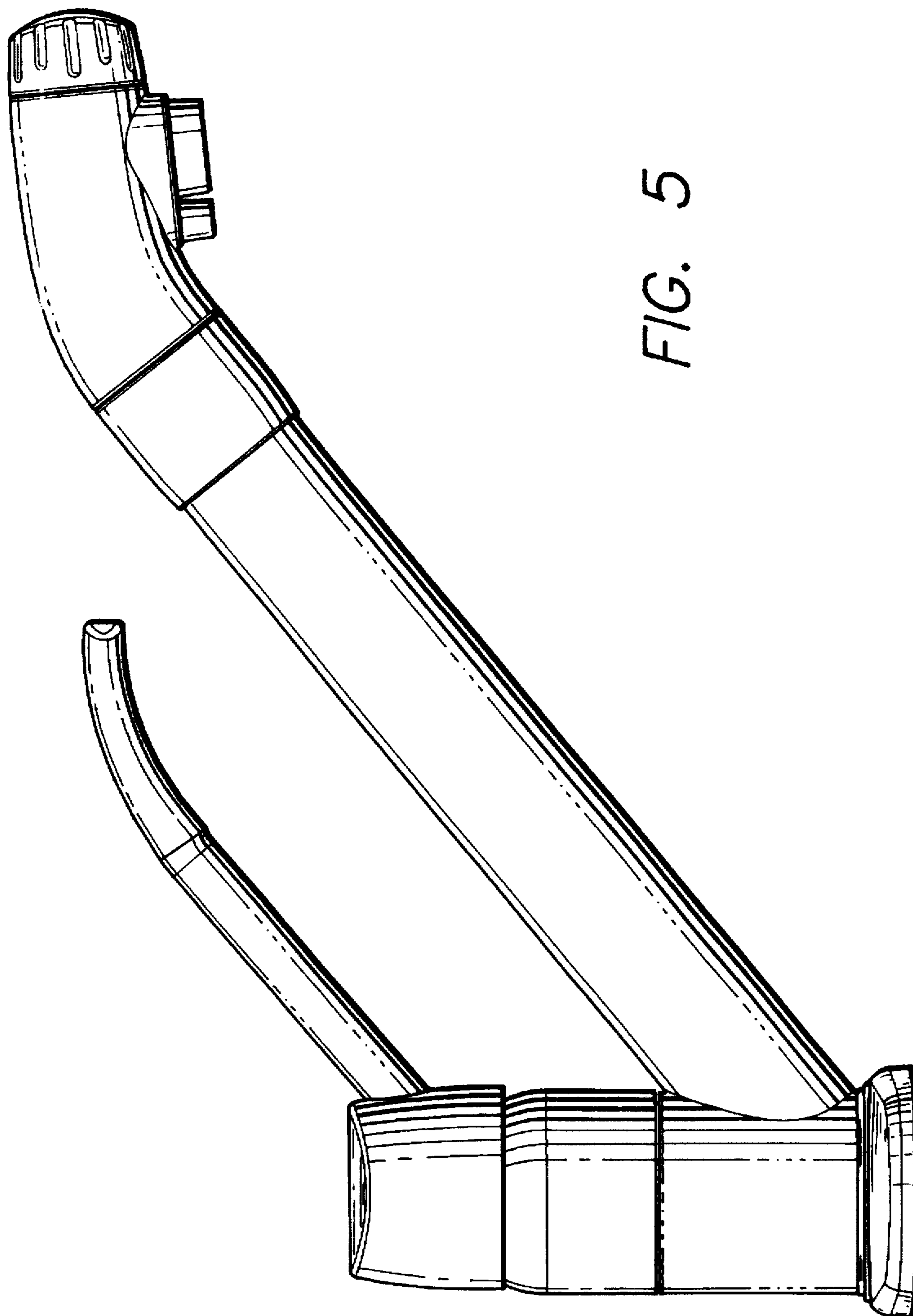


FIG. 5

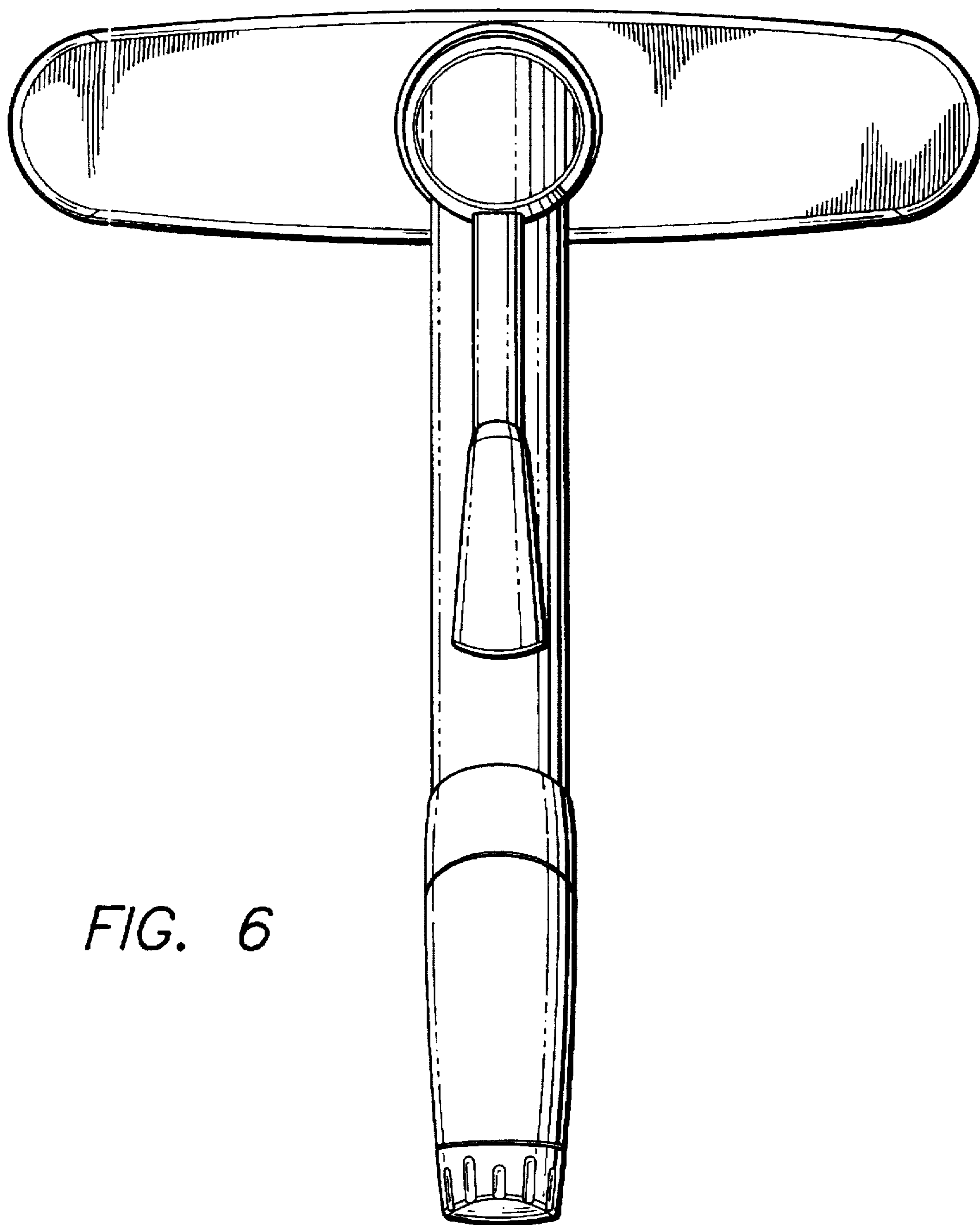


FIG. 6

FIG. 7

