



US00D392024S

United States Patent [19] Ko

[11] Patent Number: **Des. 392,024**
[45] Date of Patent: ****Mar. 10, 1998**

[54] **FAUCET BASE**

D. 348,923 7/1994 Yost D23/238
D. 349,153 7/1994 Sauter et al. D23/238

[75] Inventor: **Hsi-Chia Ko**, Changhua Hsien, Taiwan

Primary Examiner—Louis S. Zarfes
Assistant Examiner—Eric Watterson
Attorney, Agent, or Firm—Browdy and Neimark

[73] Assignee: **Chung Chen Faucet Co., Ltd.**,
Changhua Hsien, Taiwan

[**] Term: **14 Years**

[57] **CLAIM**

[21] Appl. No.: **69,779**

The ornamental design for "faucet base", as shown and described.

[22] Filed: **Apr. 23, 1997**

DESCRIPTION

[51] **LOC (6) Cl.** **23-01**

[52] **U.S. Cl.** **D23/238**

[58] **Field of Search** **D23/238-243,**
D23/250-257; 137/801; 4/675-678

FIG. 1 is a perspective view of a faucet base showing my new design;

FIG. 2 is a right side view thereof, the left side view is identical;

FIG. 3 is a front view thereof;

FIG. 4 is a rear view thereof;

FIG. 5 is a top view thereof; and,

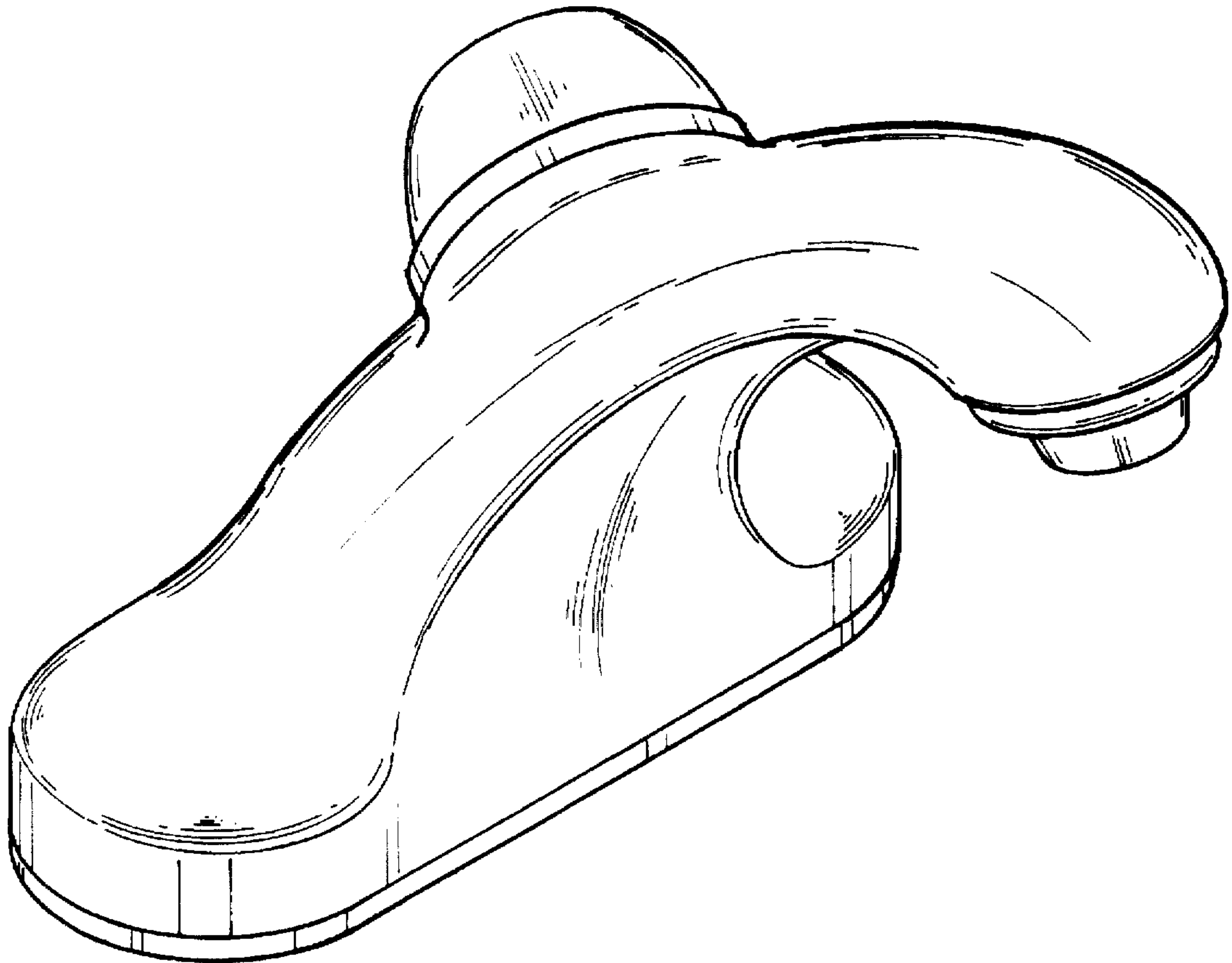
FIG. 6 is a bottom view thereof.

[56] **References Cited**

U.S. PATENT DOCUMENTS

D. 323,549 1/1992 Haug et al. D23/238
D. 329,685 9/1992 Brattoli et al. D23/238

1 Claim, 3 Drawing Sheets



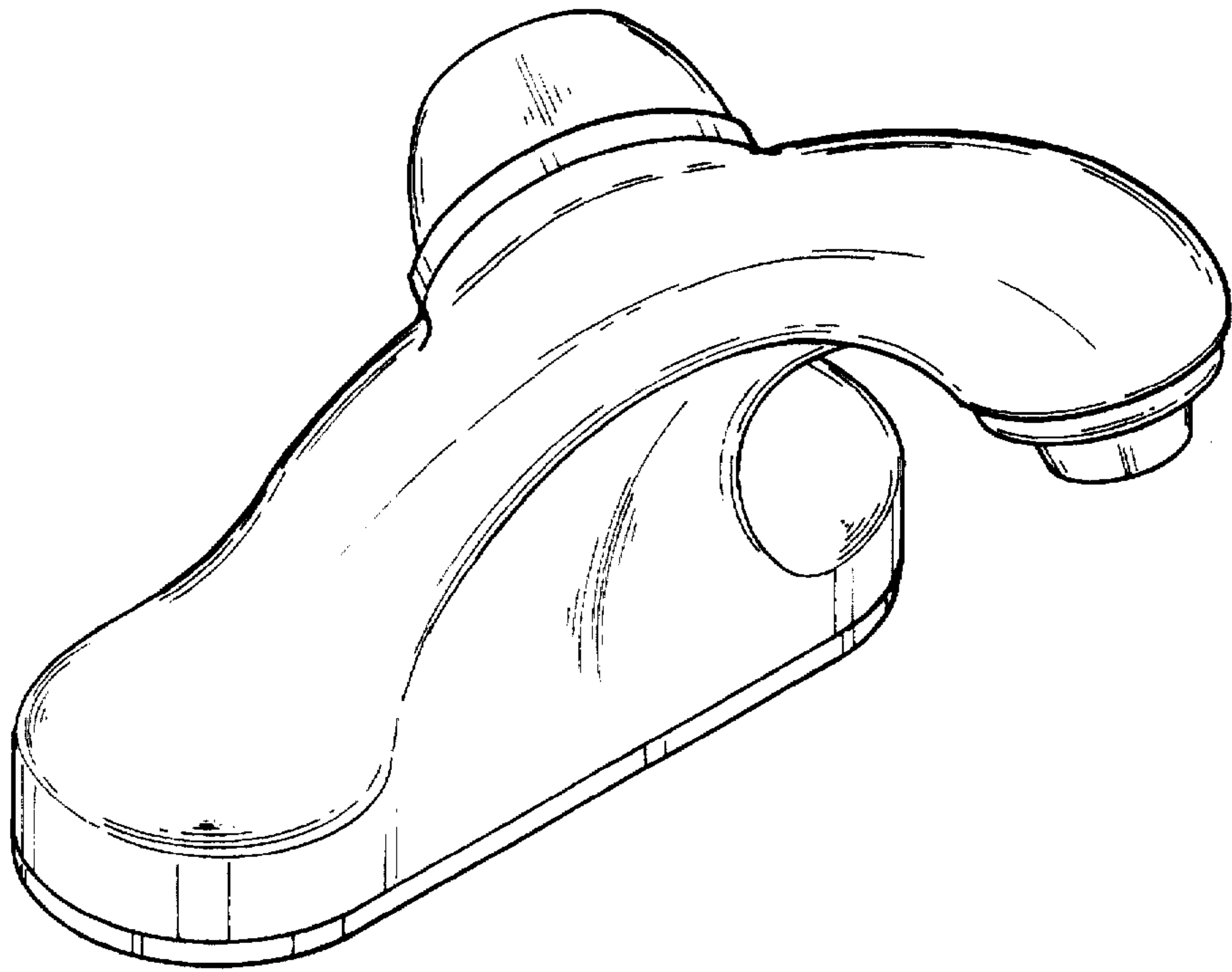


FIG. 1

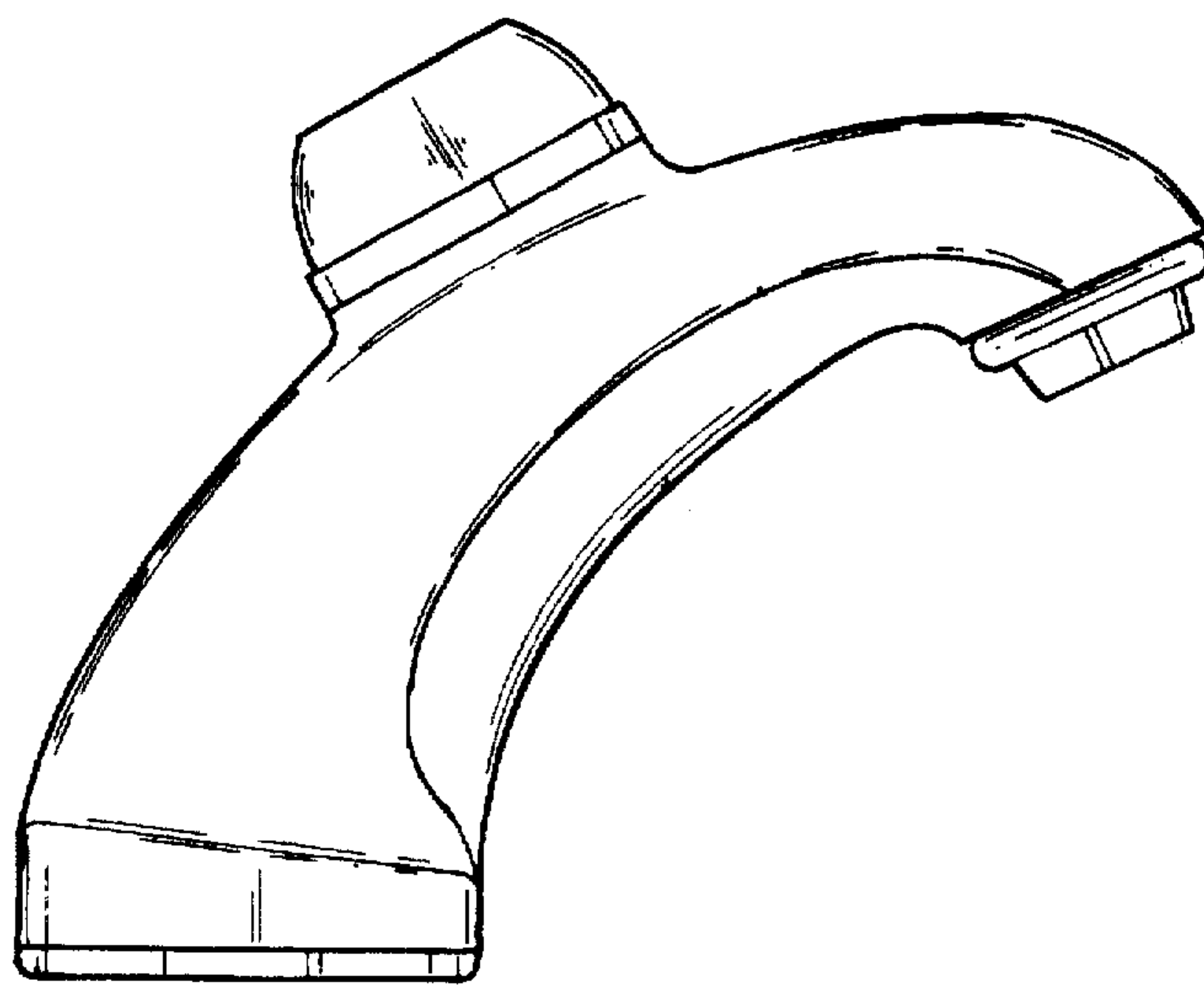


FIG. 2

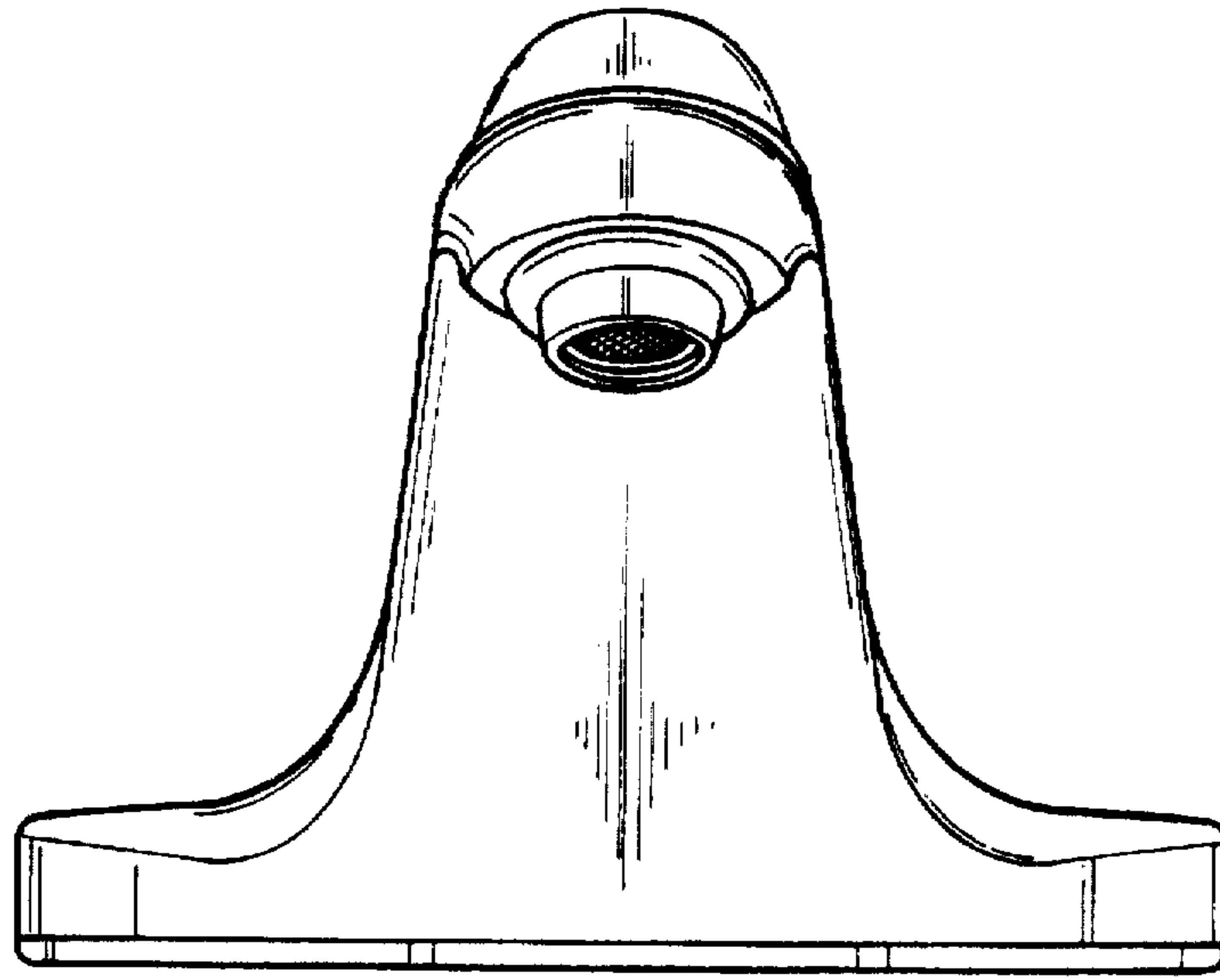


FIG. 3

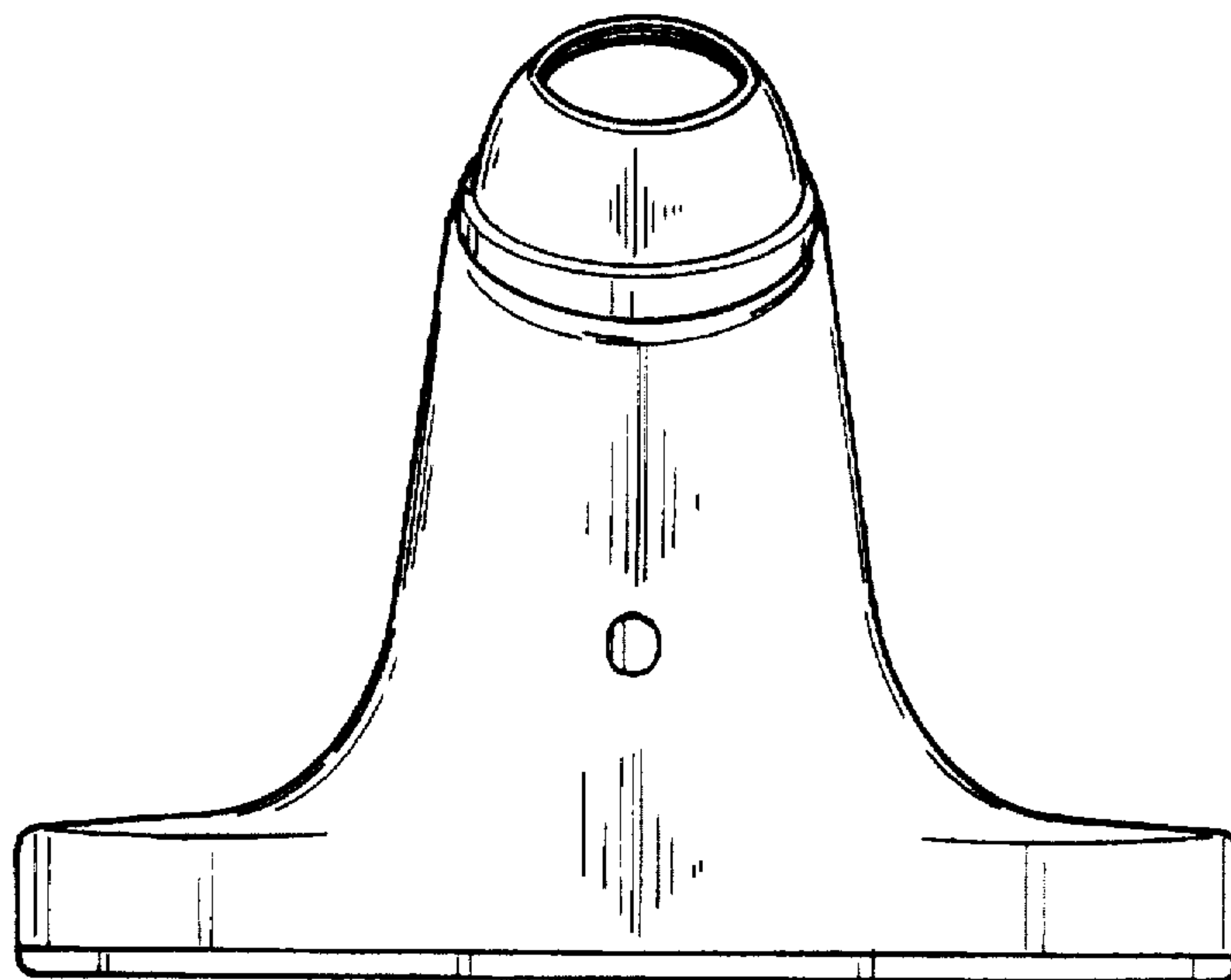


FIG. 4

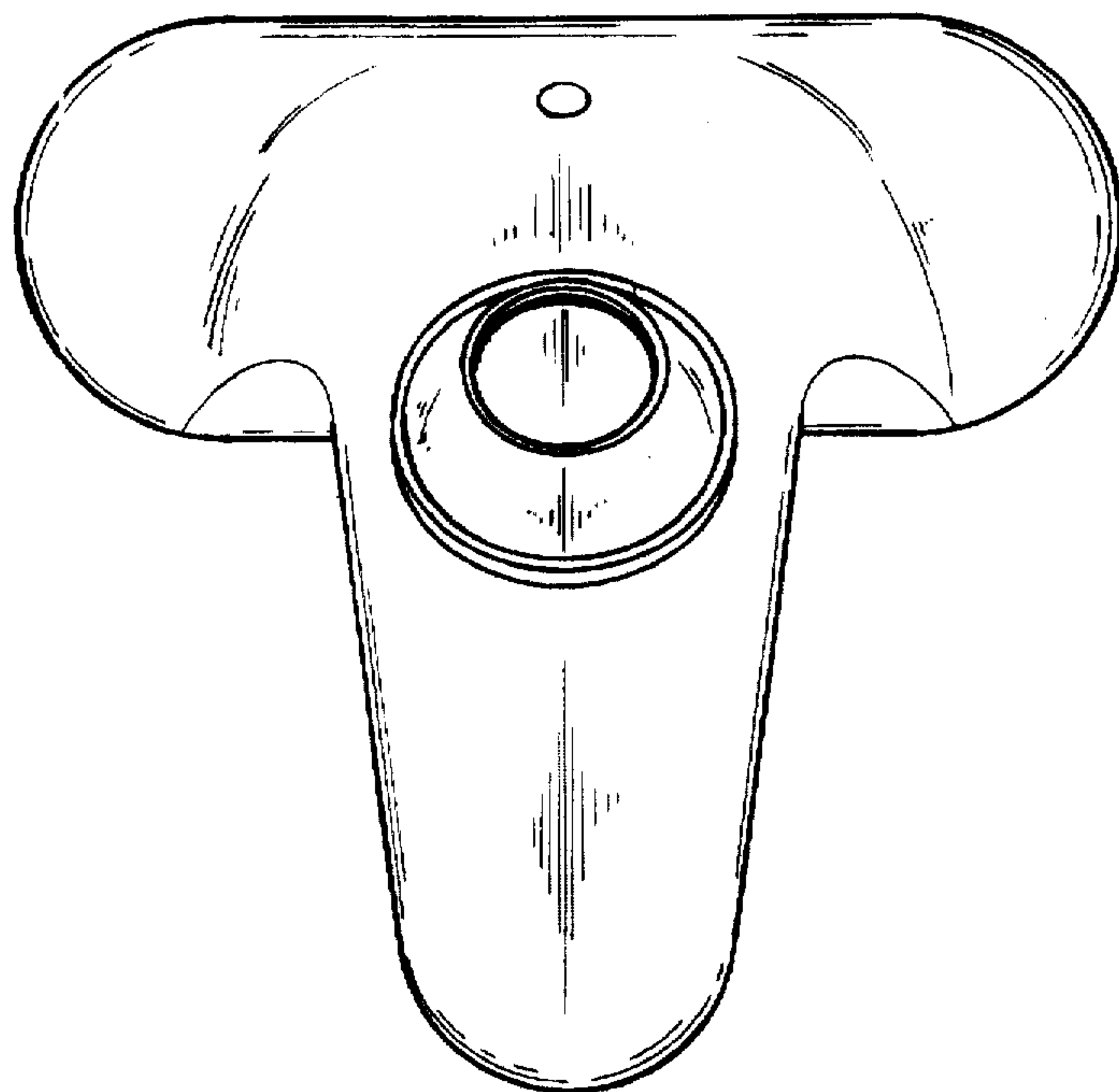


FIG. 5

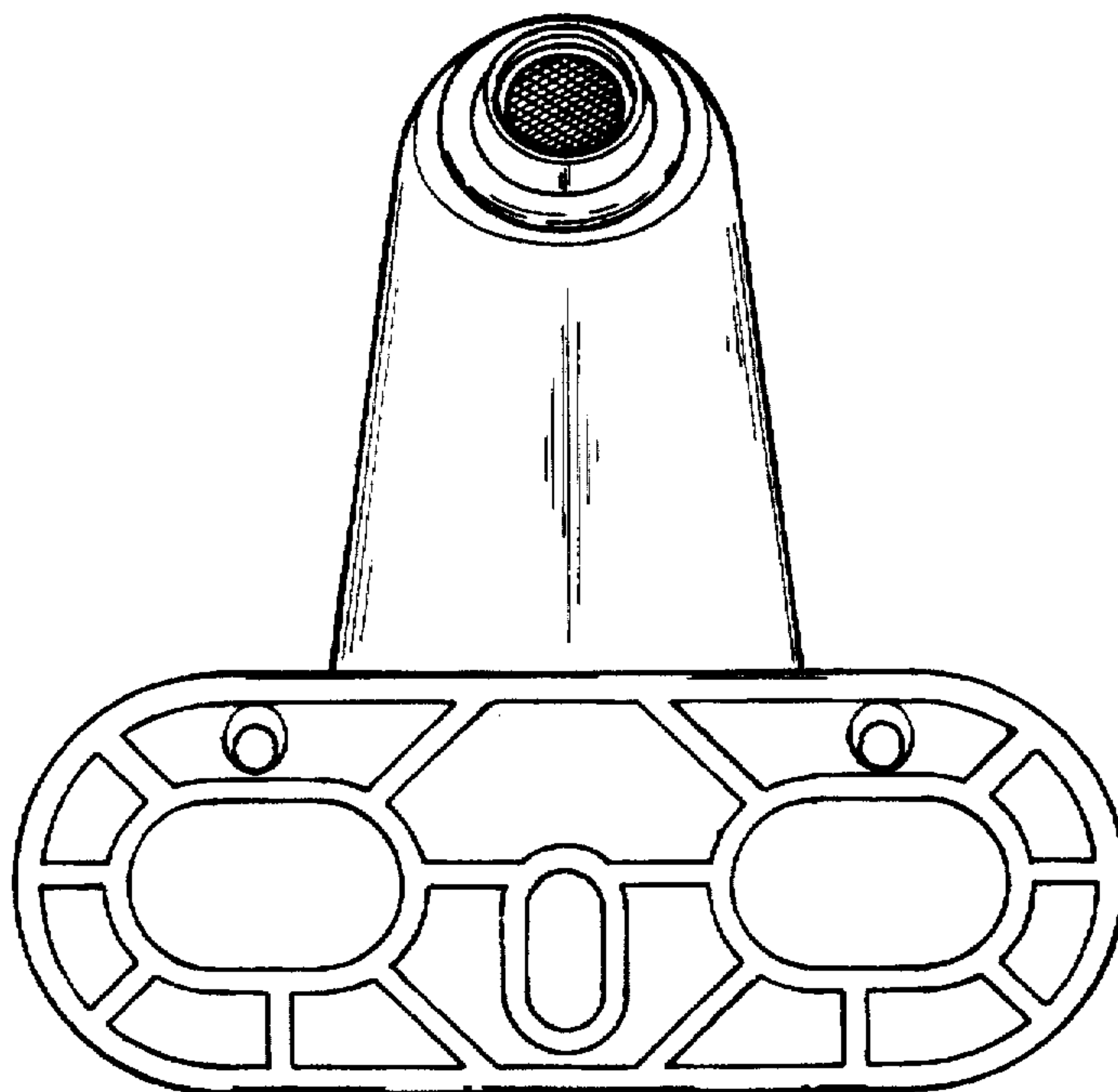


FIG. 6