



US00D392018S

United States Patent [19] Robbins

[11] Patent Number: **Des. 392,018**

[45] Date of Patent: ****Mar. 10, 1998**

[54] **FISHING REEL**

[75] Inventor: **Richard J. Robbins**, Derby, Kans.

[73] Assignee: **Brunswick Corporation**, Lake Forest, Ill.

[**] Term: **14 Years**

[21] Appl. No.: **33,283**

[22] Filed: **Jan. 9, 1995**

[51] LOC (6) Cl. **22-05**

[52] U.S. Cl. **D22/141**

[58] Field of Search D22/141; 242/224, 242/230-233, 245, 246, 248, 247

[56] **References Cited**

U.S. PATENT DOCUMENTS

D. 327,312	6/1992	Myojo	D22/141
D. 352,761	11/1994	Sakurai	D22/141
D. 353,870	12/1994	Asano et al.	D22/141
D. 355,472	2/1995	Robbins	D22/141

OTHER PUBLICATIONS

Cabela's, Feb. 1991, Abu Garcia Platinum Max, Back Cover.

Primary Examiner—Doris V. Coles
Attorney, Agent, or Firm—Wood, Phillips, VanSanten, Clark & Mortimer

[57] **CLAIM**

The ornamental design for a fishing reel, as shown and described.

DESCRIPTION

FIG. 1 is a left, front and top perspective view of a fishing reel showing my new design;

FIG. 2 is a left side elevation view thereof;

FIG. 3 is a bottom view thereof;

FIG. 4 is a right side elevation view thereof;

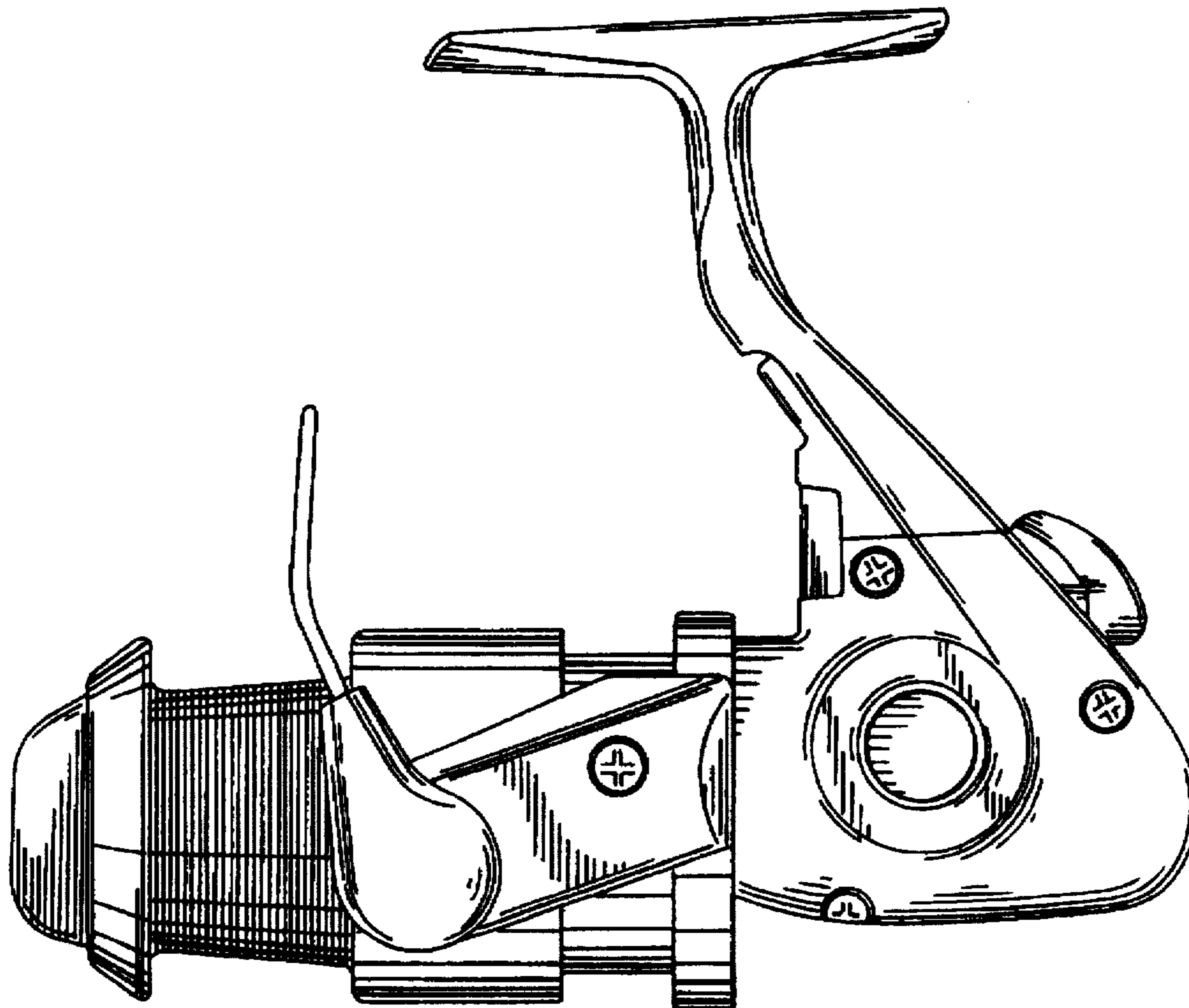
FIG. 5 is a plan view thereof;

FIG. 6 is a front elevation view thereof; and,

FIG. 7 is a rear elevation view thereof.

The broken line showing of environment in FIGS. 3-7 is for illustrative purposes only and forms no part of the claimed design.

1 Claim, 4 Drawing Sheets



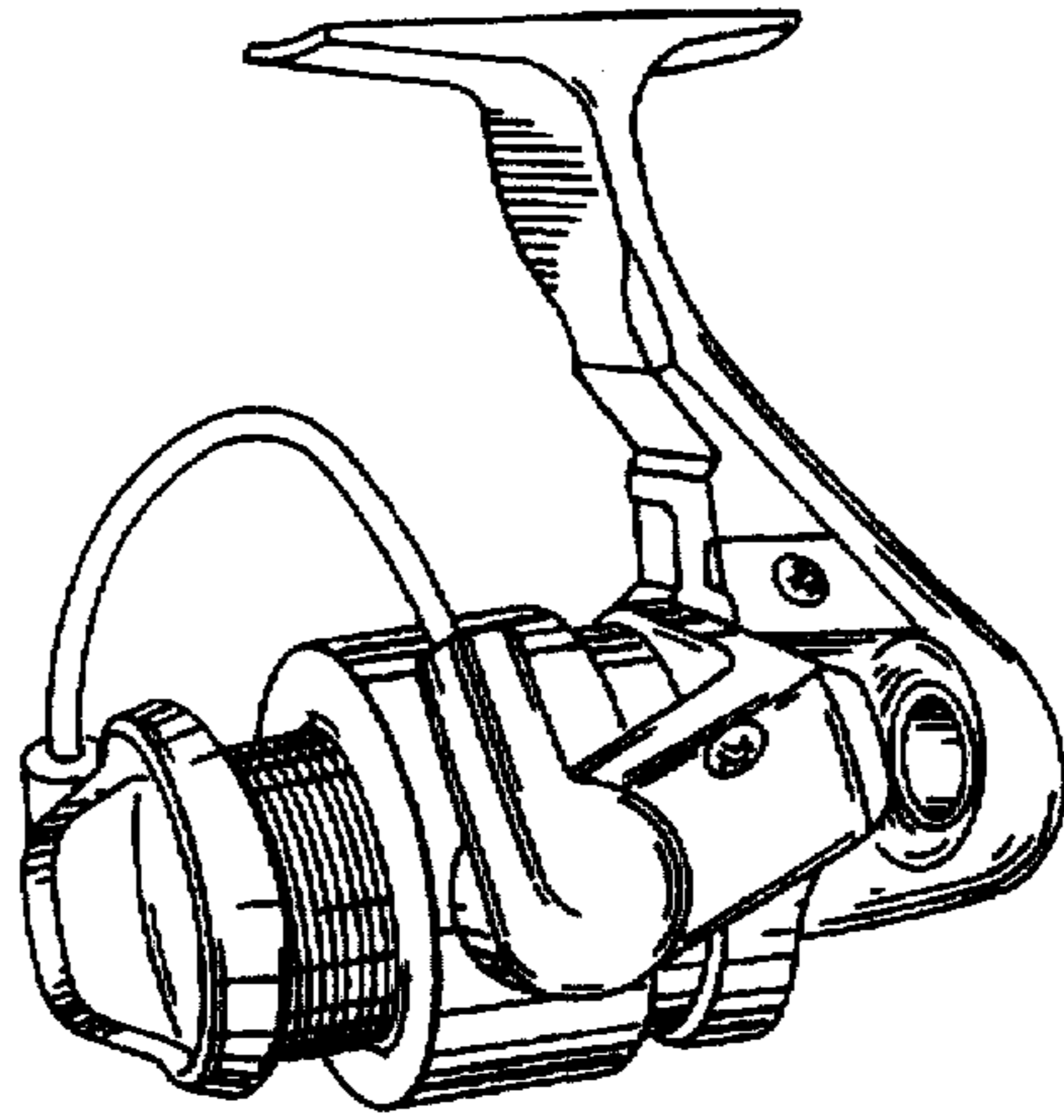


FIG. 1

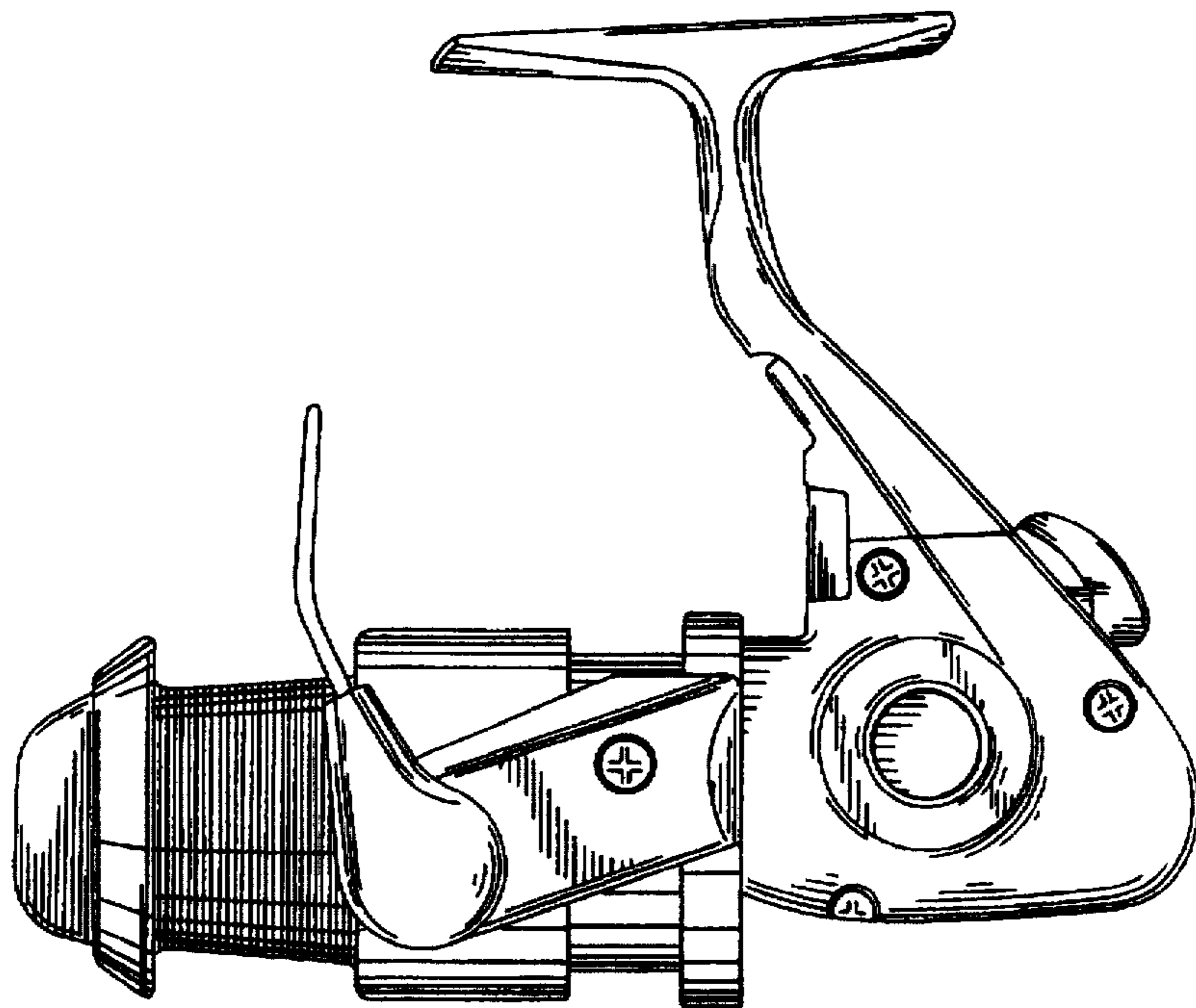


FIG. 2

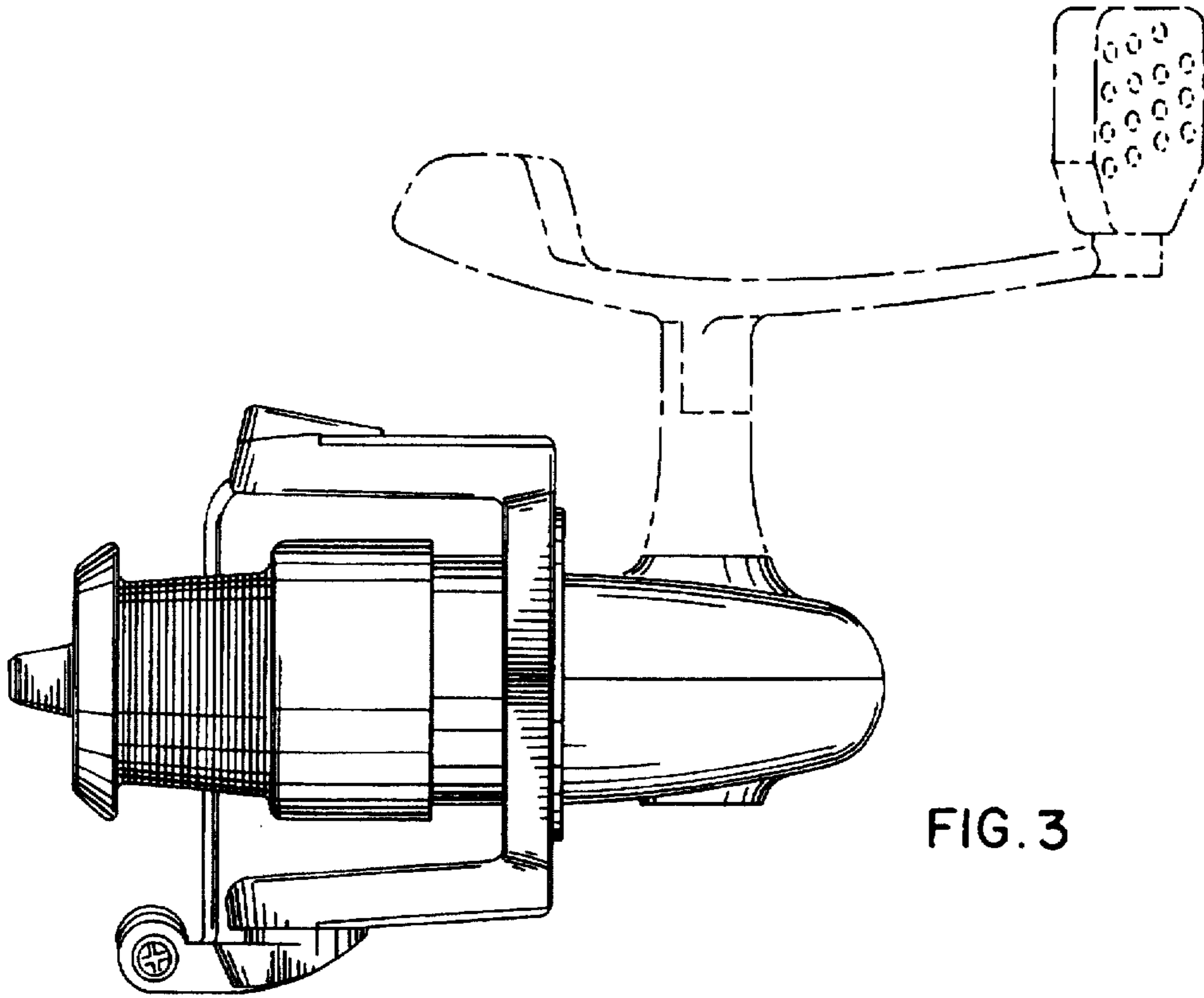


FIG. 3

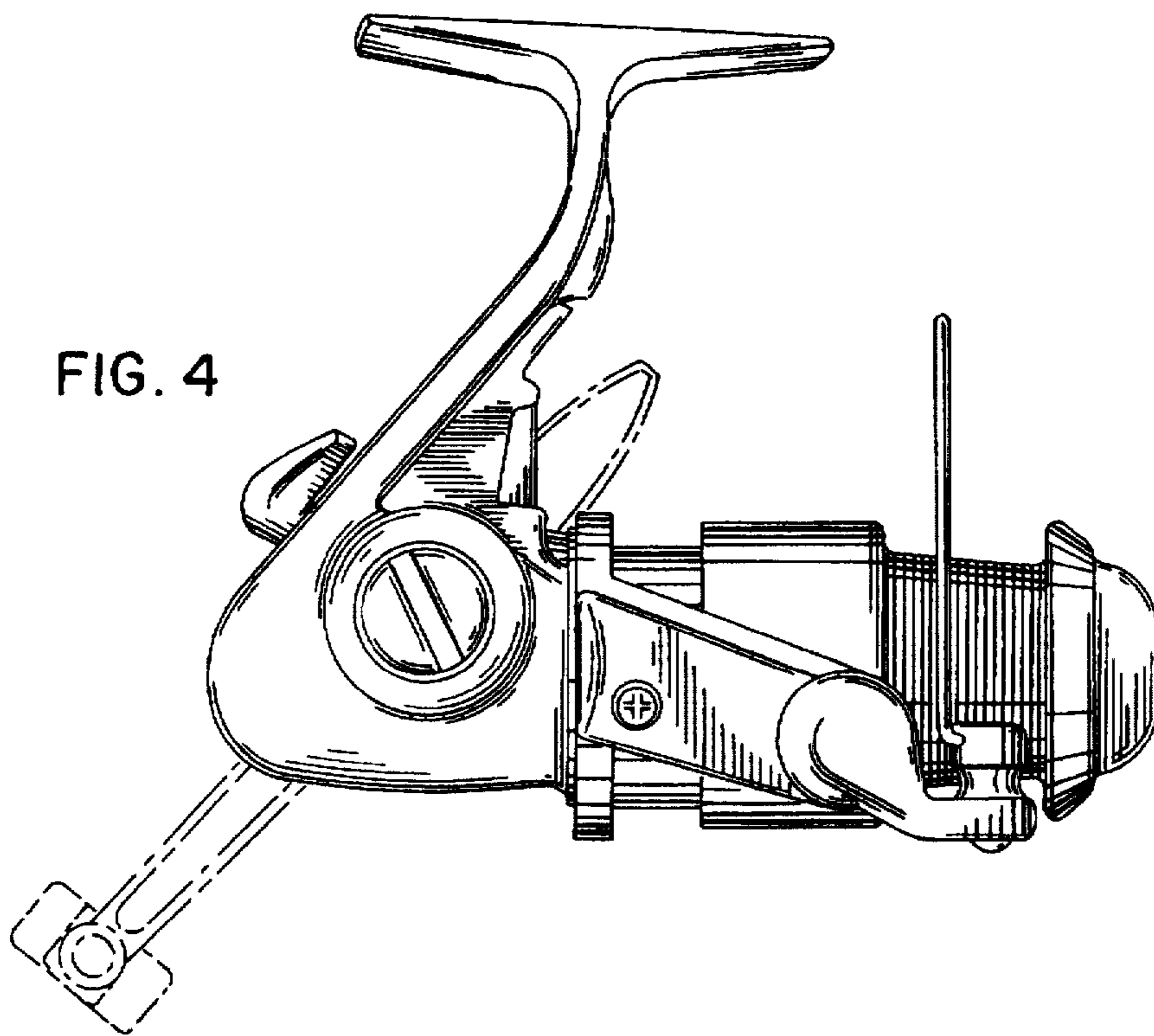


FIG. 4

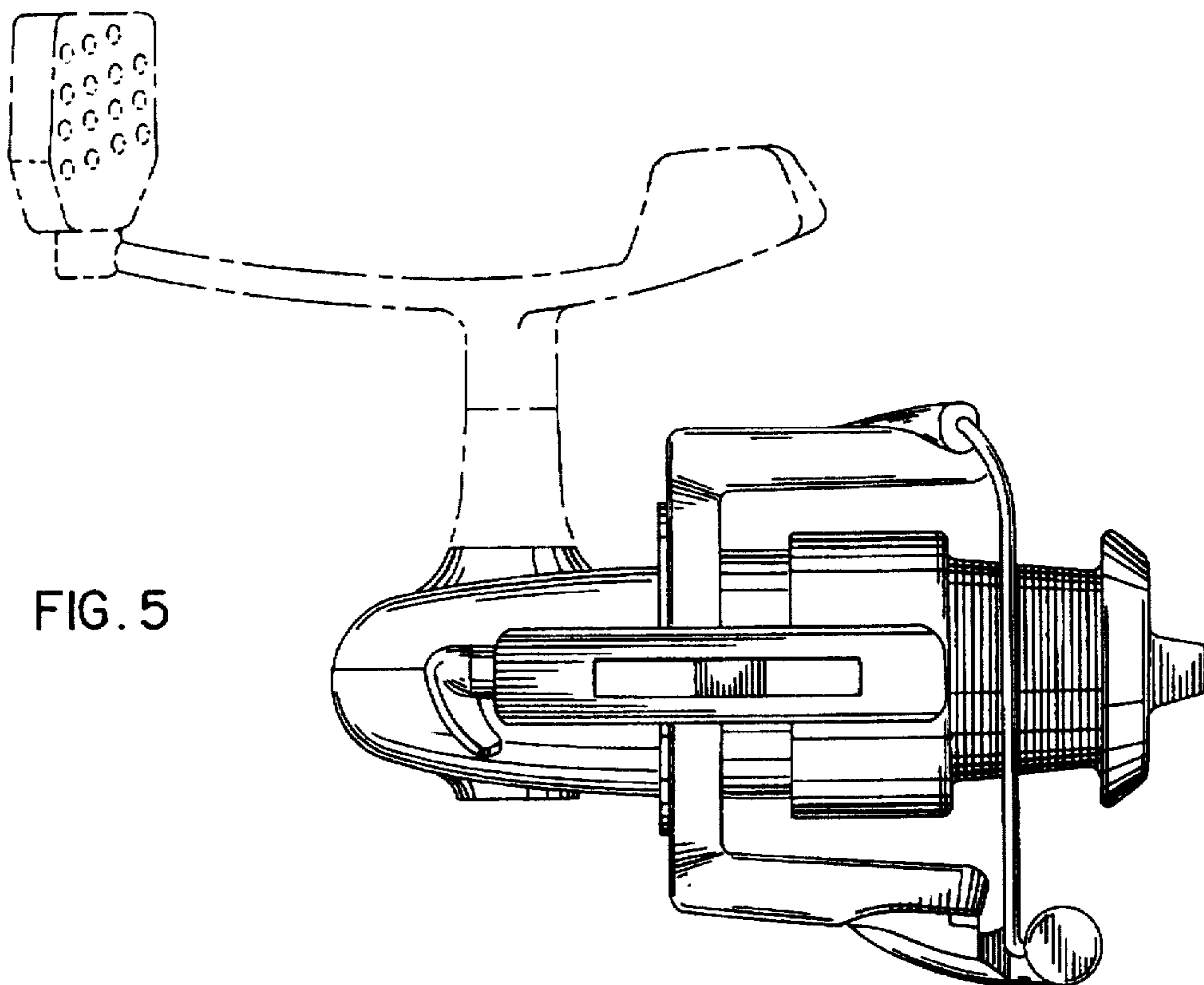


FIG. 5

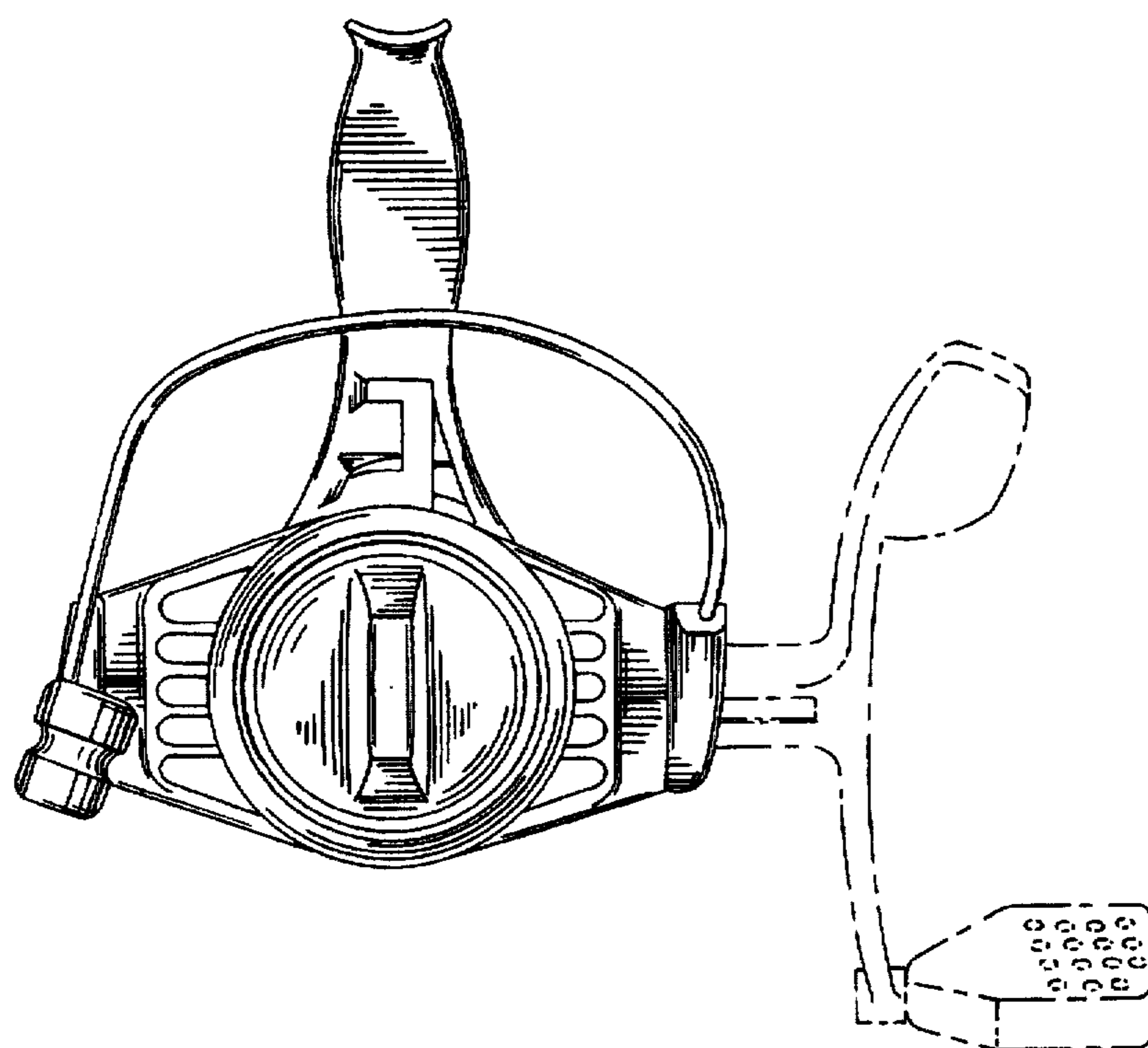


FIG. 6

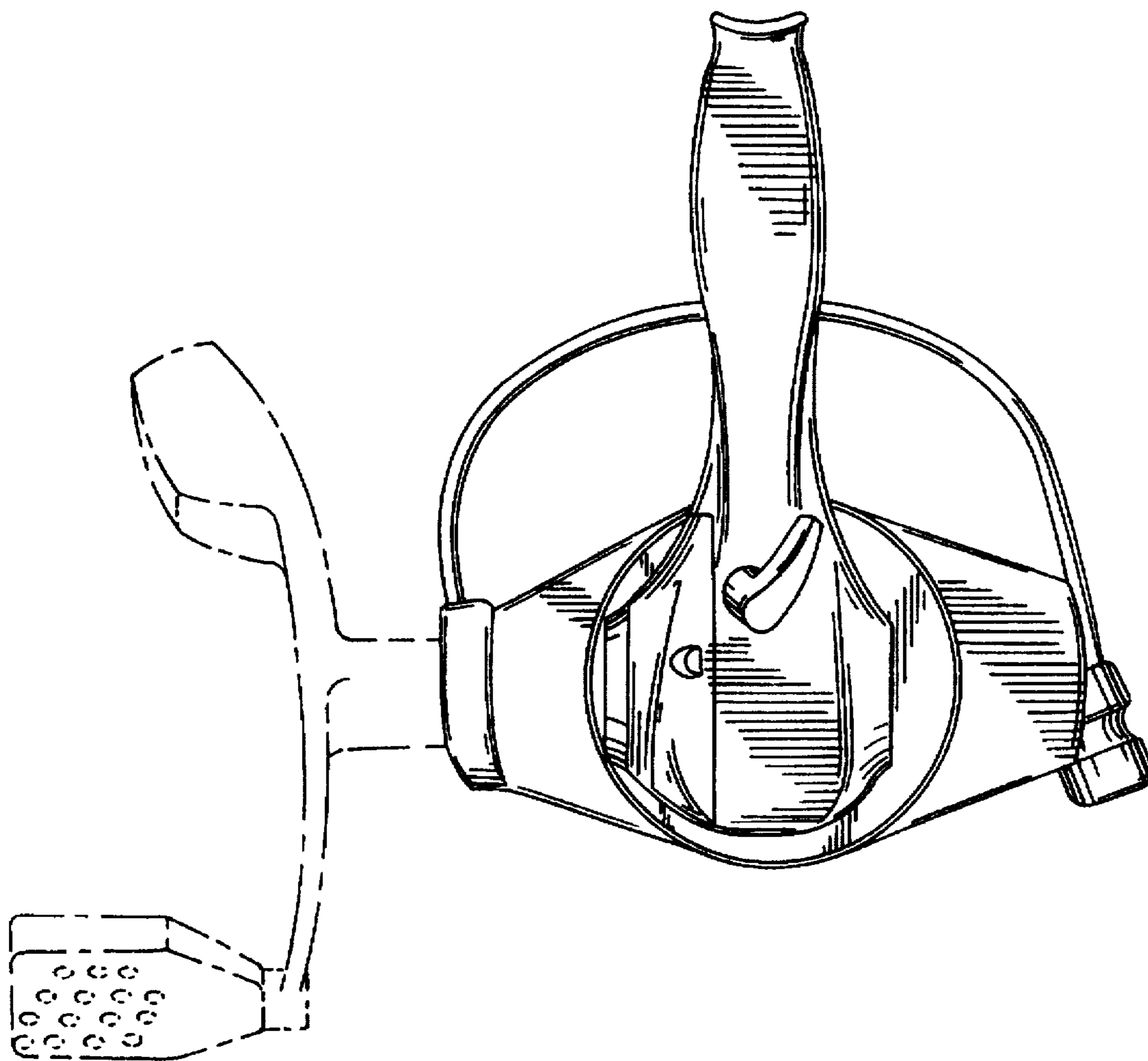


FIG. 7