



US00D392016S

# United States Patent [19]

[11] Patent Number: Des. 392,016

Balolia

[45] Date of Patent: \*\*Mar. 10, 1998

[54] GAME BLADE

[76] Inventor: Shiraz Balolia, 1821 Valencia St., Bellingham, Wash. 98226

[\*\*] Term: 14 Years

[21] Appl. No.: 66,661

[22] Filed: Feb. 14, 1997

[51] LOC (6) Cl. .... 22-02

[52] U.S. Cl. .... D22/118

[58] Field of Search ..... D22/118; D7/649, D7/650; 30/299, 294, 317, 314, 287, 340, 298, 286

### [56] References Cited

#### U.S. PATENT DOCUMENTS

D. 154,482	7/1949	Hill	.....	D22/118
D. 189,533	1/1961	Bohlann	.....	D22/118
D. 257,056	9/1980	Spivey	.....	D22/118
D. 262,731	1/1982	Austin	.....	D22/118
D. 296,577	7/1988	Schandua	.....	D22/118
D. 330,405	10/1992	Luchak	.....	D7/649
D. 336,126	6/1993	Luchak	.....	D22/118
D. 346,422	4/1994	Seber et al.	.....	D22/118
D. 362,485	9/1995	Hall	.....	D22/118
2,630,314	3/1953	Cadwallader	.....	D22/118
2,906,021	9/1959	Cromoga	.....	30/298
3,241,236	3/1966	Capps	.....	30/287
4,198,751	4/1980	Egbert	.....	30/294

#### OTHER PUBLICATIONS

Knives '97 Annual Issue, 17th Edition, p. 83, Ricky Fowler knife.

Knives '97 Annual Issue, 17th Edition, p. 141, Bob Patrick. Daro Marketing advertisement from BLADE Magazine, Sep. 1995 p. 76.

Knives '95 Annual, 15th Edition, p. 145, Karl Sahroen Cleaver.

Knives '93, Bob Luchak knife, p. 214.

Spyderco 95/96 catalog, Model KO8.

Knives of Alaska catalog, Alaska Brown Bear Skinner/Cleaver.

Knives of Alaska catalog, Cleaver Knife.

Gorilla and Sons 1997 catalog, Model A09223, p. 37.

Gorilla '97 catalog, Alaskan Blade Trader p. 42.

Gorilla and Sons '97 catalog, Rapala Big Game with Gut Hook, p. 54.

United Cutlery advertisement, Smoky Mountain Spring 1996 catalog, p. 130.

Ole Smoky advertisement, Smoky Mountain Spring 1996 catalog, Yukon Ulu Skinner, p. 175.

Colt Industries advertisement, Smoky Mountain Spring 1996 catalog, Serengeti Skinner, p. 183.

Smokey Mountain, Spring 1996, p. 4, Remington Grizzly.

Primary Examiner—Doris V. Coles

Attorney, Agent, or Firm—Michael R. Schacht; Hughes, Multer & Schacht, P.S.

### [57] CLAIM

The new design for a game blade, as shown and described herein.

### DESCRIPTION

FIG. 1 is a side elevational view of a game blade, showing my new design, the opposite side being a mirror image thereof;

FIG. 2 is a top plan view thereof;

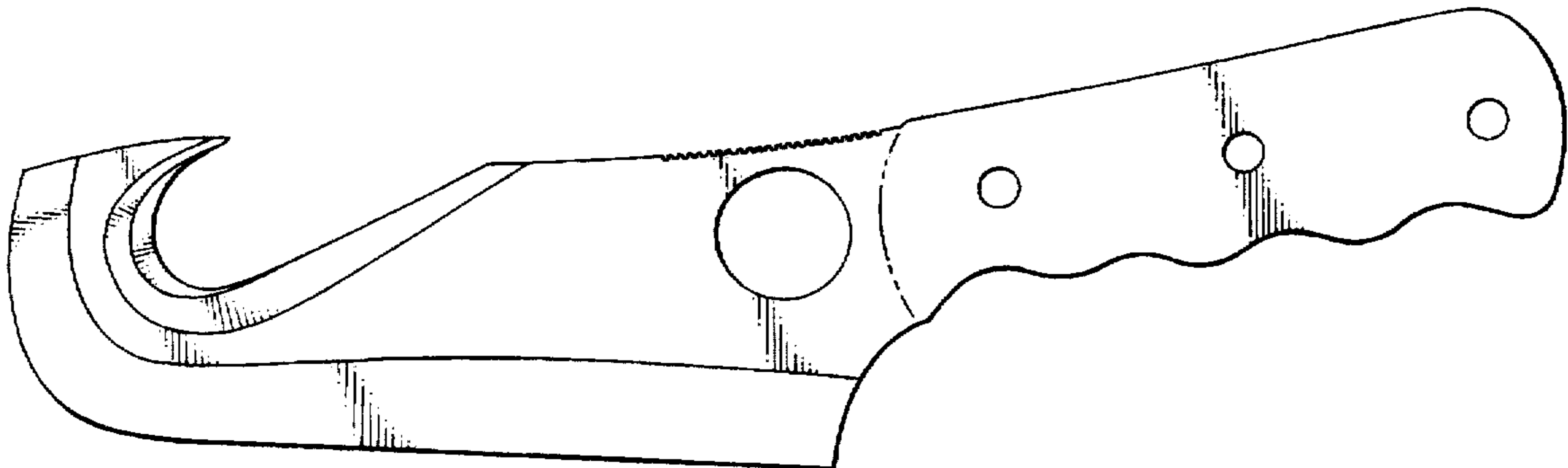
FIG. 3 is a bottom plan view thereof;

FIG. 4 is a front elevational view thereof; and,

FIG. 5 is a rear elevational view thereof.

The broken line showing of a handle is for illustrative purposes only and forms no part of the claimed design.

1 Claim, 2 Drawing Sheets



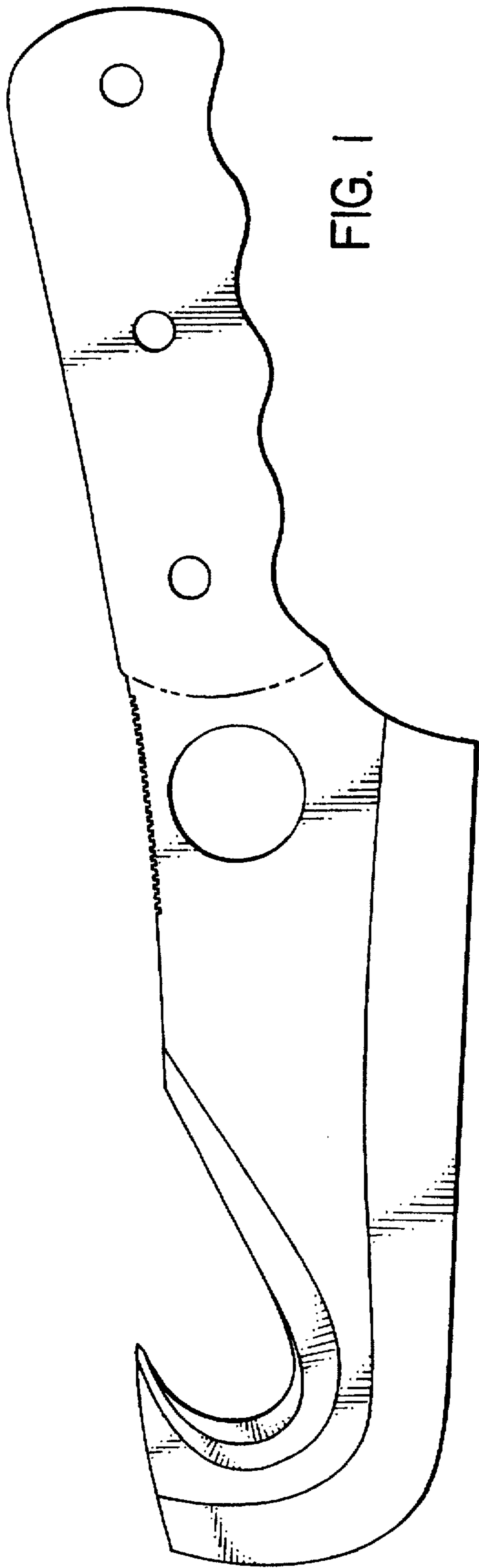


FIG. 1

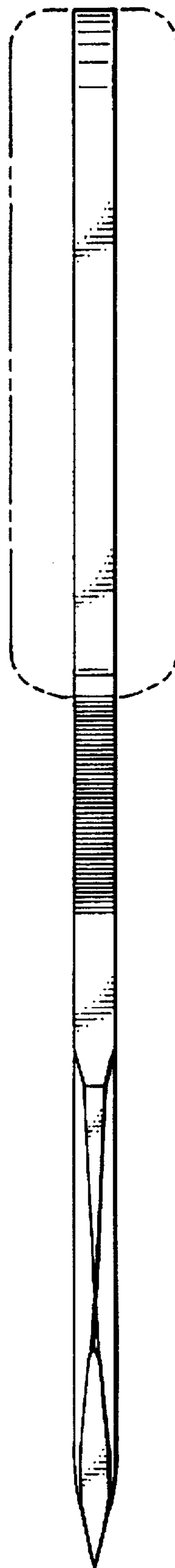


FIG. 2

FIG. 3

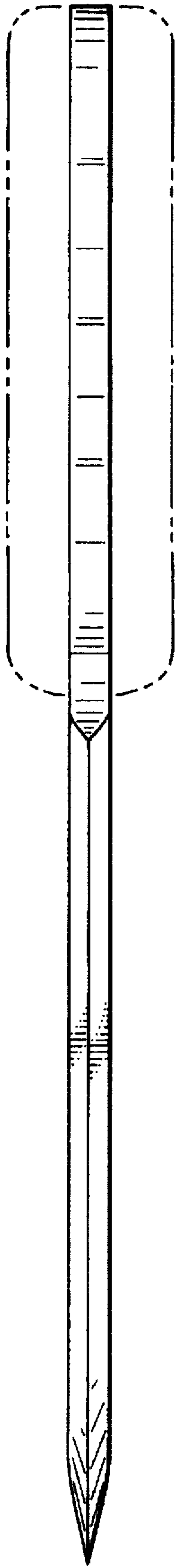


FIG. 4

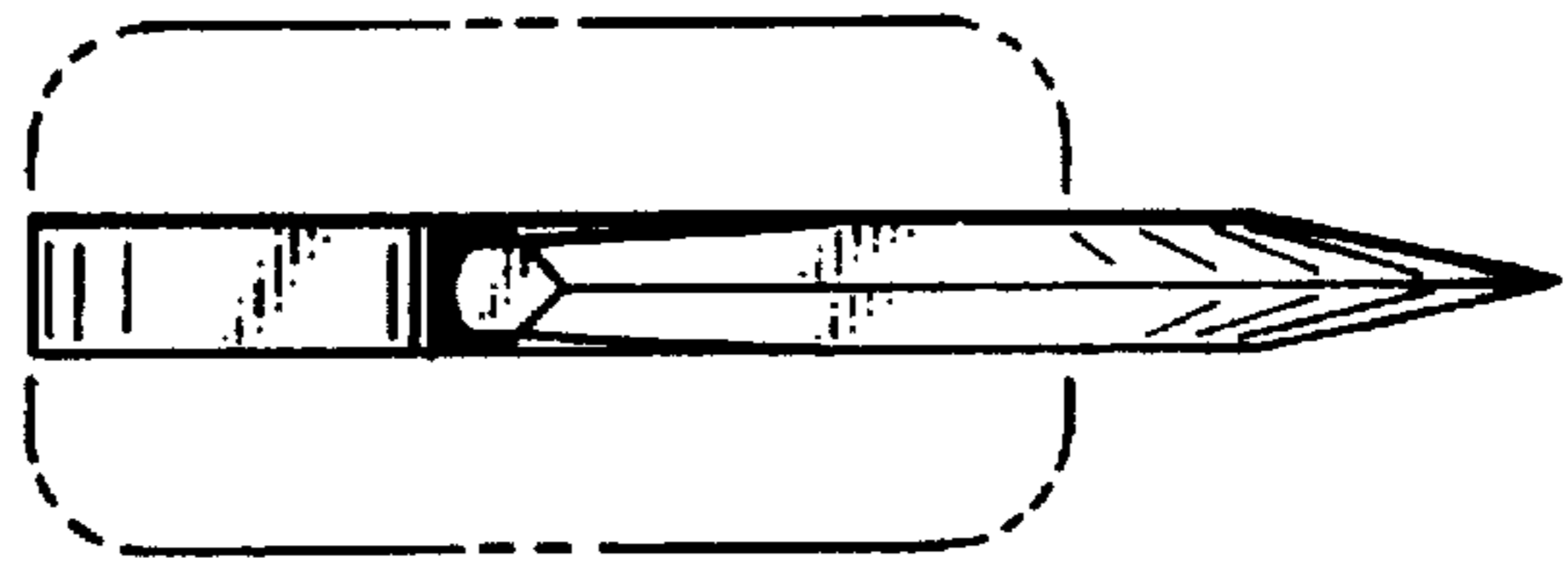


FIG. 5

