



US00D392015S

United States Patent [19]
Emerson

[11] **Patent Number: Des. 392,015**
[45] **Date of Patent: **Mar. 10, 1998**

[54] **REAR SIGHT FOR A FIREARM**

[75] **Inventor: Ashley C. Emerson, Ft Worth, Tex.**
[73] **Assignee: Ashley Outdoors, Inc., Ft Worth, Tex.**
[**] **Term: 14 Years**

[21] **Appl. No.: 61,680**
[22] **Filed: Oct. 28, 1996**

[51] **LOC (6) Cl. 22-01**
[52] **U.S. Cl. D22/109; D22/108; D22/110**
[58] **Field of Search D22/100, 109,**
D22/108, 110, 199; 42/100, 102; 33/233,
241, 242, 246, 247, 252

[56] **References Cited**

U.S. PATENT DOCUMENTS

D. 351,449 10/1994 Dagley D21/109
3,439,970 4/1969 Rickert 33/233
5,065,519 11/1991 Bindon 33/241
5,426,882 6/1995 Dornaus 33/243 X

FOREIGN PATENT DOCUMENTS

6521 of 1893 United Kingdom 33/252
7054 of 1887 United Kingdom 33/242

OTHER PUBLICATIONS

Police, May 1991, p. 25, "Trijicon Night Sights". upper rt. corner of ad. May, 1991.

Primary Examiner—Louis S. Zarfes
Assistant Examiner—Monica A. Weingart
Attorney, Agent, or Firm—Charles W. McHugh

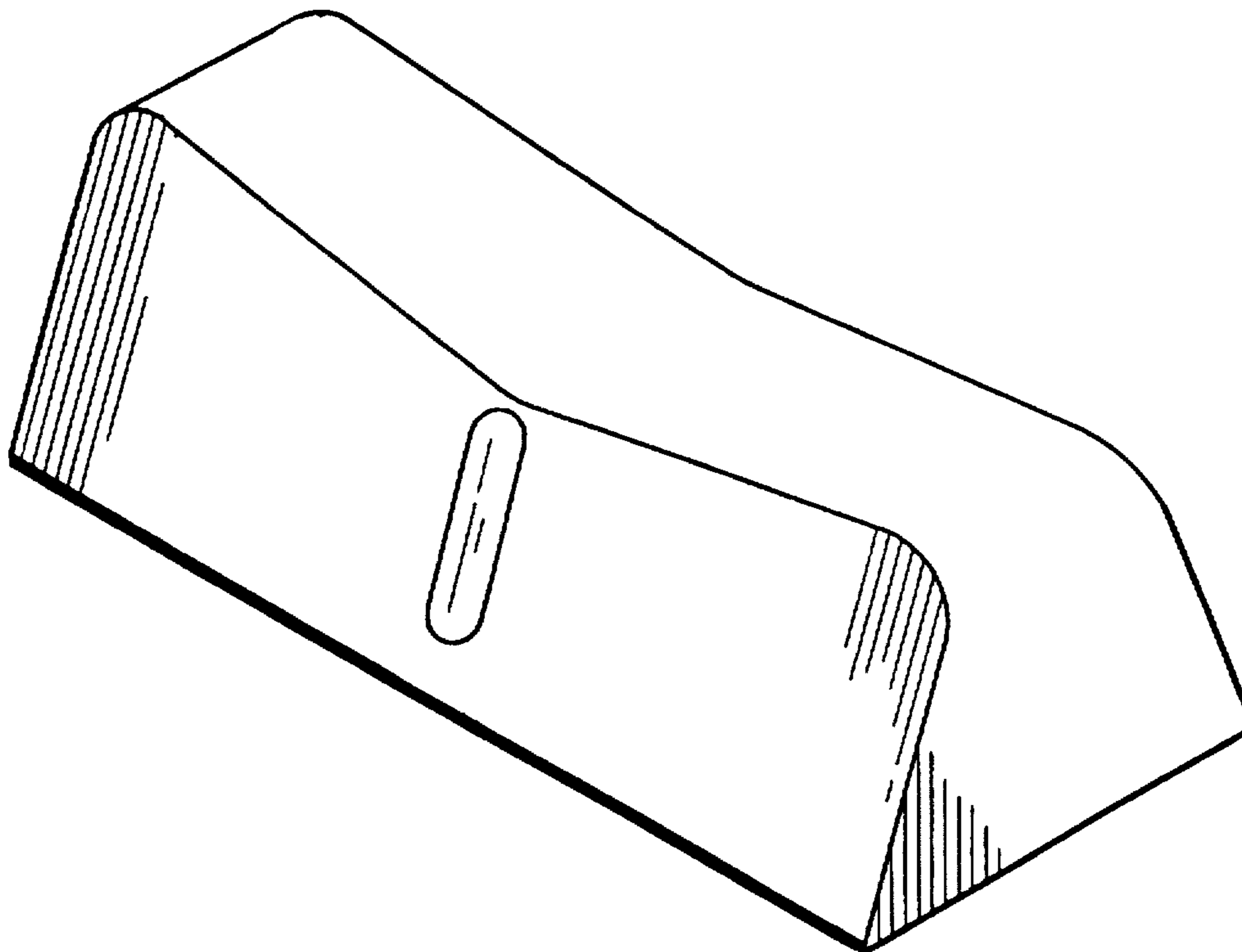
[57] **CLAIM**

The ornamental design for a "rear sight for a firearm," as shown and described.

DESCRIPTION

FIG. 1 is a perspective view of a "rear sight for a firearm," showing my new design from the rear;
FIG. 2 is an elevational view of one side of the rear sight for a firearm shown in FIG. 1, and the opposite side being a mirror image thereof;
FIG. 3 is a rear elevational view of the rear sight for a firearm shown in FIG. 1;
FIG. 4 is a front elevational view of the rear sight for a firearm shown in FIG. 1;
FIG. 5 is a top plan view of the rear sight for a firearm shown in FIG. 1; and,
FIG. 6 is a bottom elevational view of the rear sight for a firearm shown in FIG. 1.

1 Claim, 1 Drawing Sheet



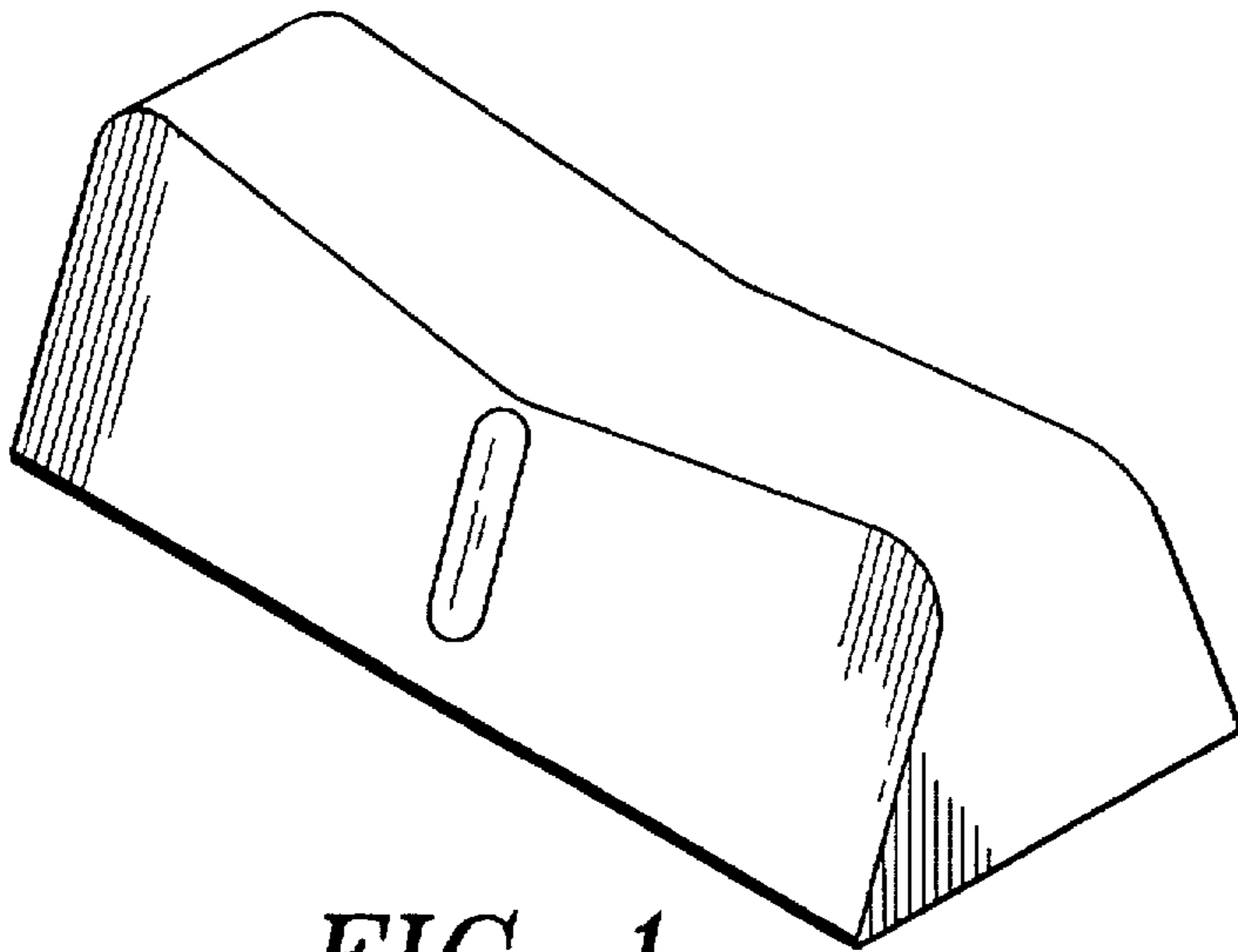


FIG. 1

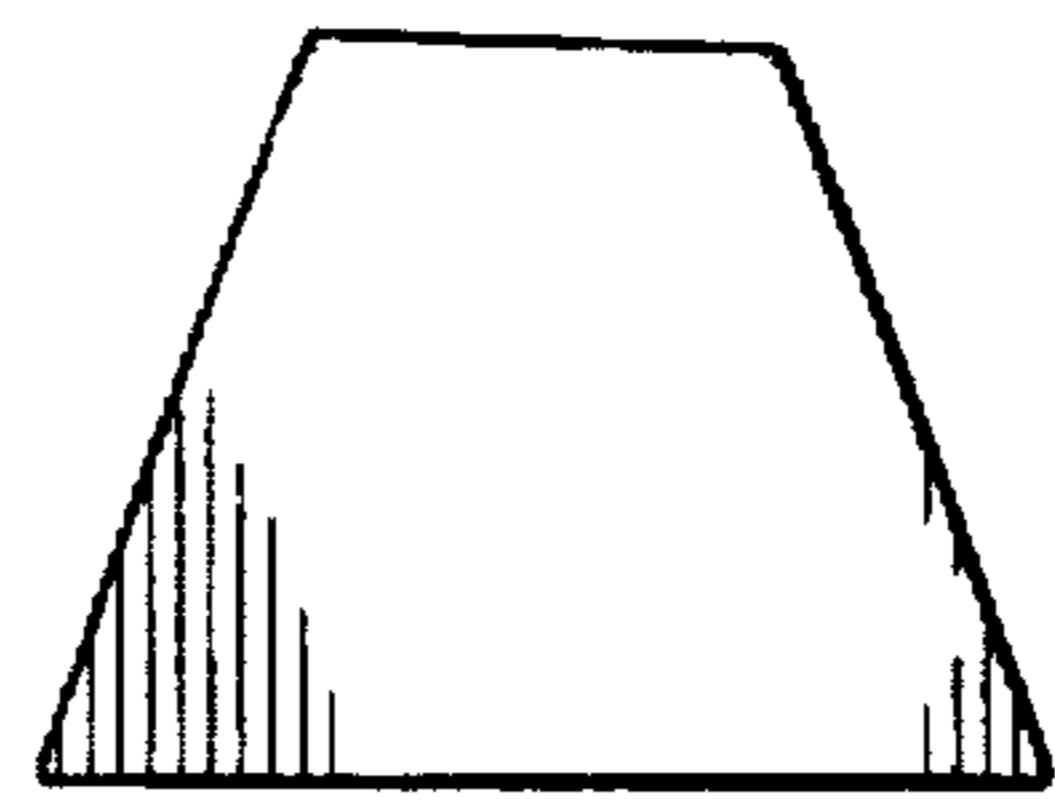


FIG. 2

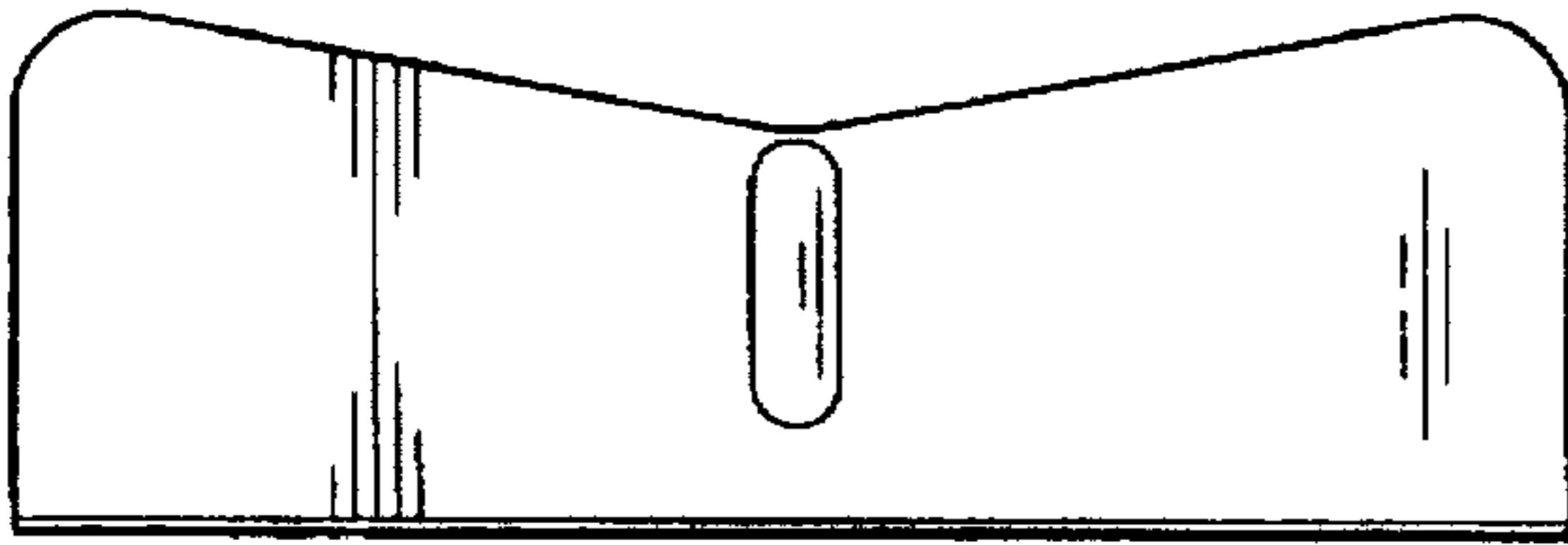


FIG. 3

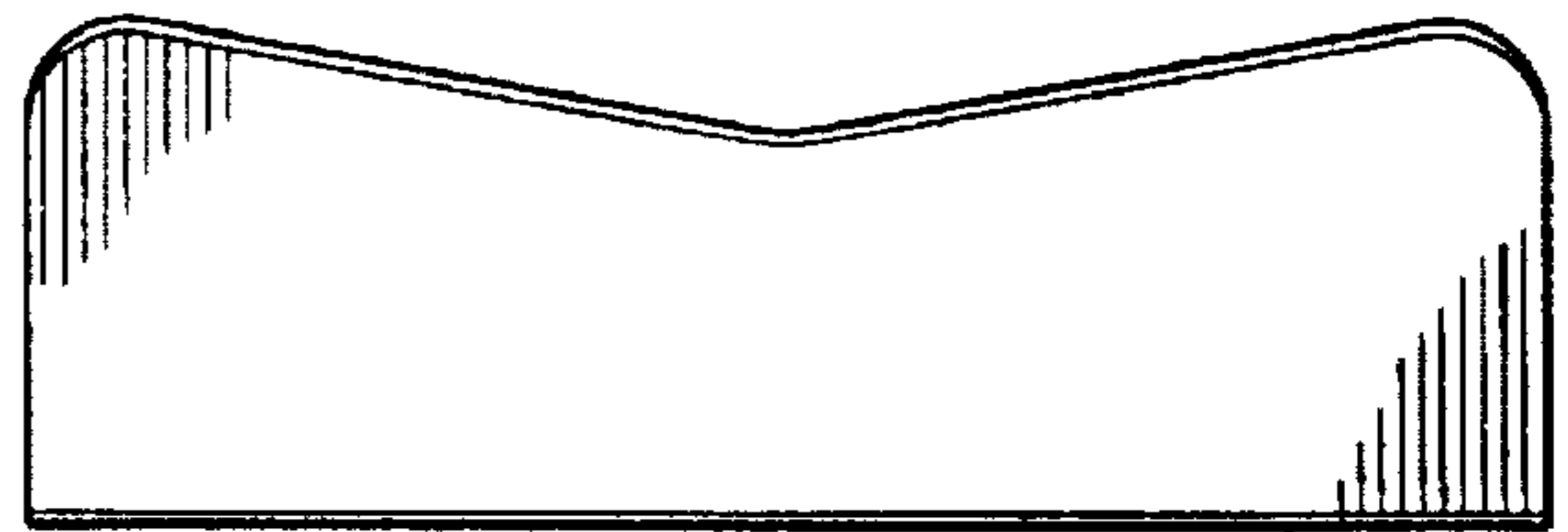


FIG. 4

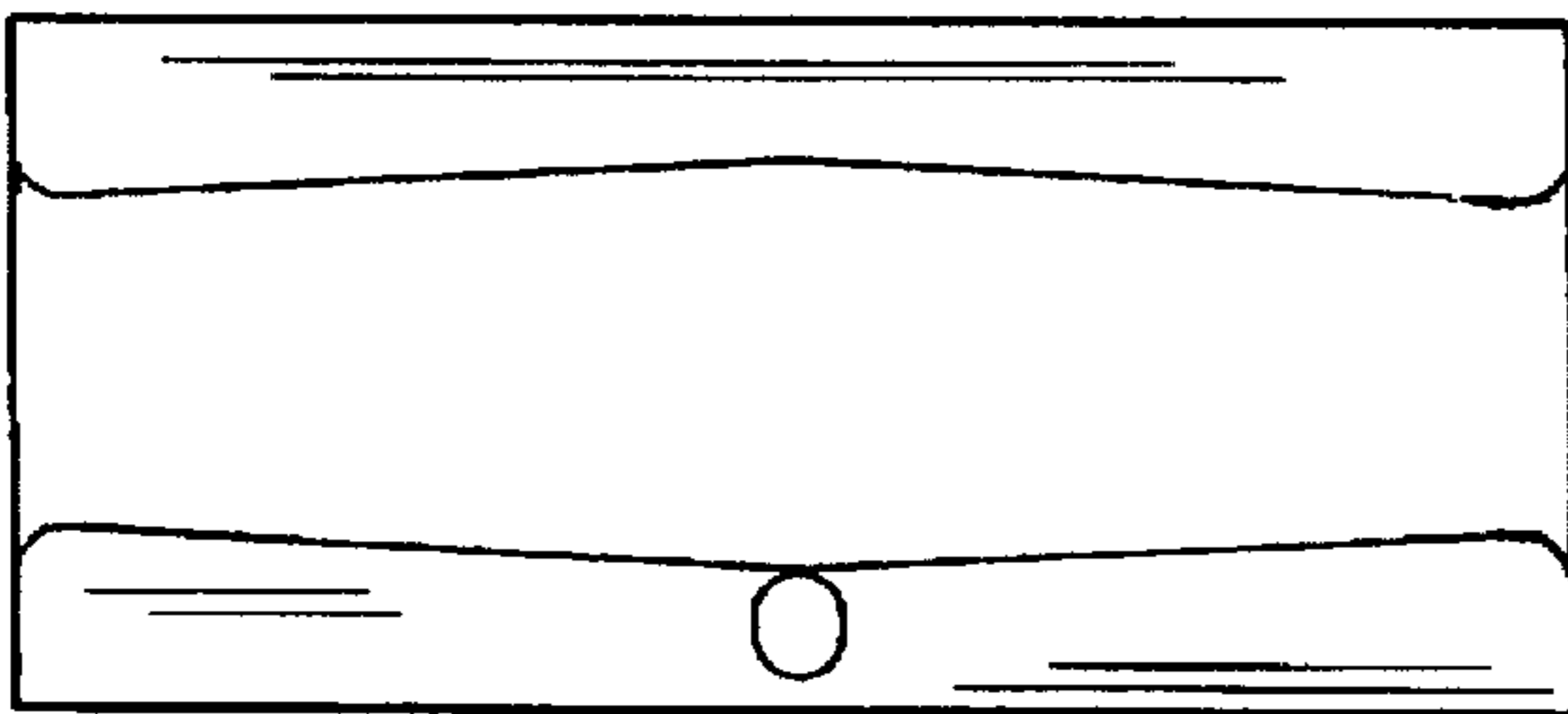


FIG. 5

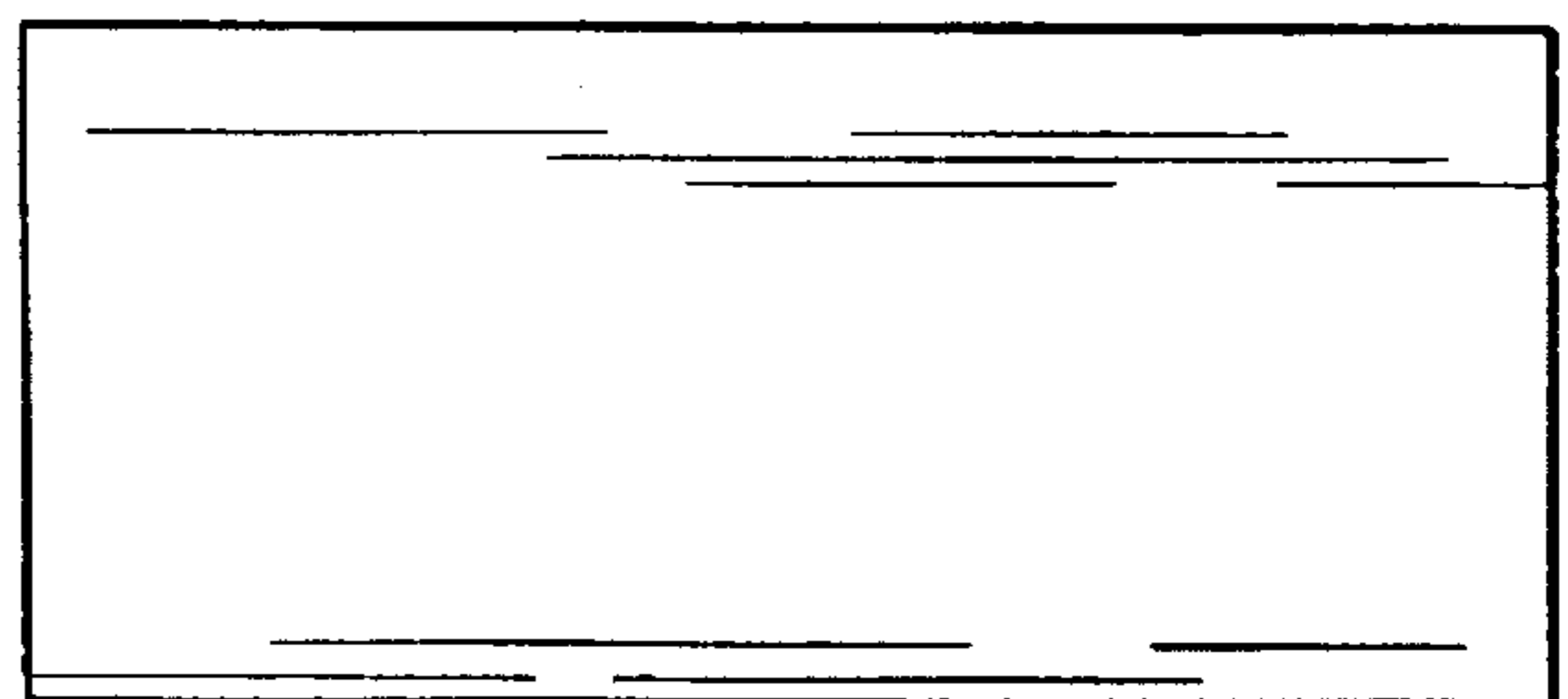


FIG. 6