

US00D392014S

United States Patent [19]

Rambo et al.

[11] Patent Number: **Des. 392,014**

[45] Date of Patent: ****Mar. 10, 1998**

[54] **GUN CLEANING PATCH AND SOLVENT COLLECTOR**

4,901,465 2/1990 Hsu 42/95
5,601,532 2/1997 Gaba 206/366 X

[75] Inventors: **Robert D. Rambo**, Sellersville;
Berwyn M. Crook, Yardley, both of Pa.

FOREIGN PATENT DOCUMENTS

2701694 8/1994 France 220/229

[73] Assignee: **Bore Tech, Inc.**, Colmar, Pa.

Primary Examiner—Louis S. Zarfaz
Assistant Examiner—Monica A. Weingart
Attorney, Agent, or Firm—Howson and Howson

[**] Term: **14 Years**

[57] CLAIM

[21] Appl. No.: **67,956**

The ornamental design for the gun cleaning patch and solvent collector, as shown and described.

[22] Filed: **Apr. 4, 1997**

DESCRIPTION

[51] LOC (6) Cl. **22-01**

[52] U.S. Cl. **D22/108; D22/100; D22/199**

[58] Field of Search D22/100, 108,
D22/199; 42/95; 206/315.1, 359, 366; 220/229

FIG. 1 is a perspective view of a gun cleaning patch and solvent collector;

FIG. 2 is a left end view thereof;

FIG. 3 is a side elevational view thereof, the right side being a mirror image thereof;

FIG. 4 is a right end view thereof;

FIG. 5 is a top plan view thereof; and,

FIG. 6 is a bottom plan view thereof.

[56] References Cited

U.S. PATENT DOCUMENTS

D. 306,123 2/1990 Ramsey D22/199 X
2,793,373 5/1957 Ewing 220/229 X
3,086,674 4/1963 Scheuerman 220/229
3,478,922 11/1969 Mole 220/229 X

1 Claim, 2 Drawing Sheets

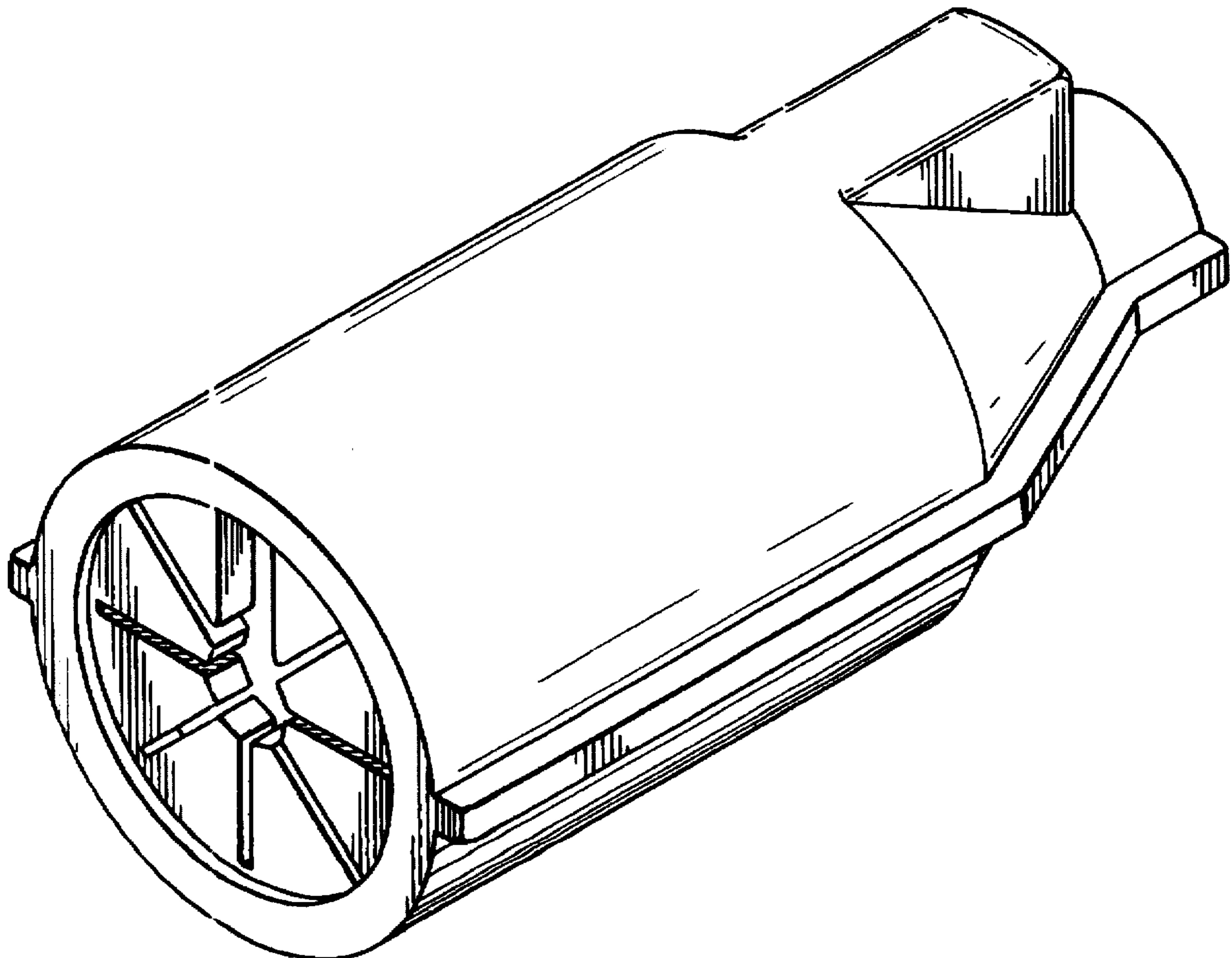


FIG. 1

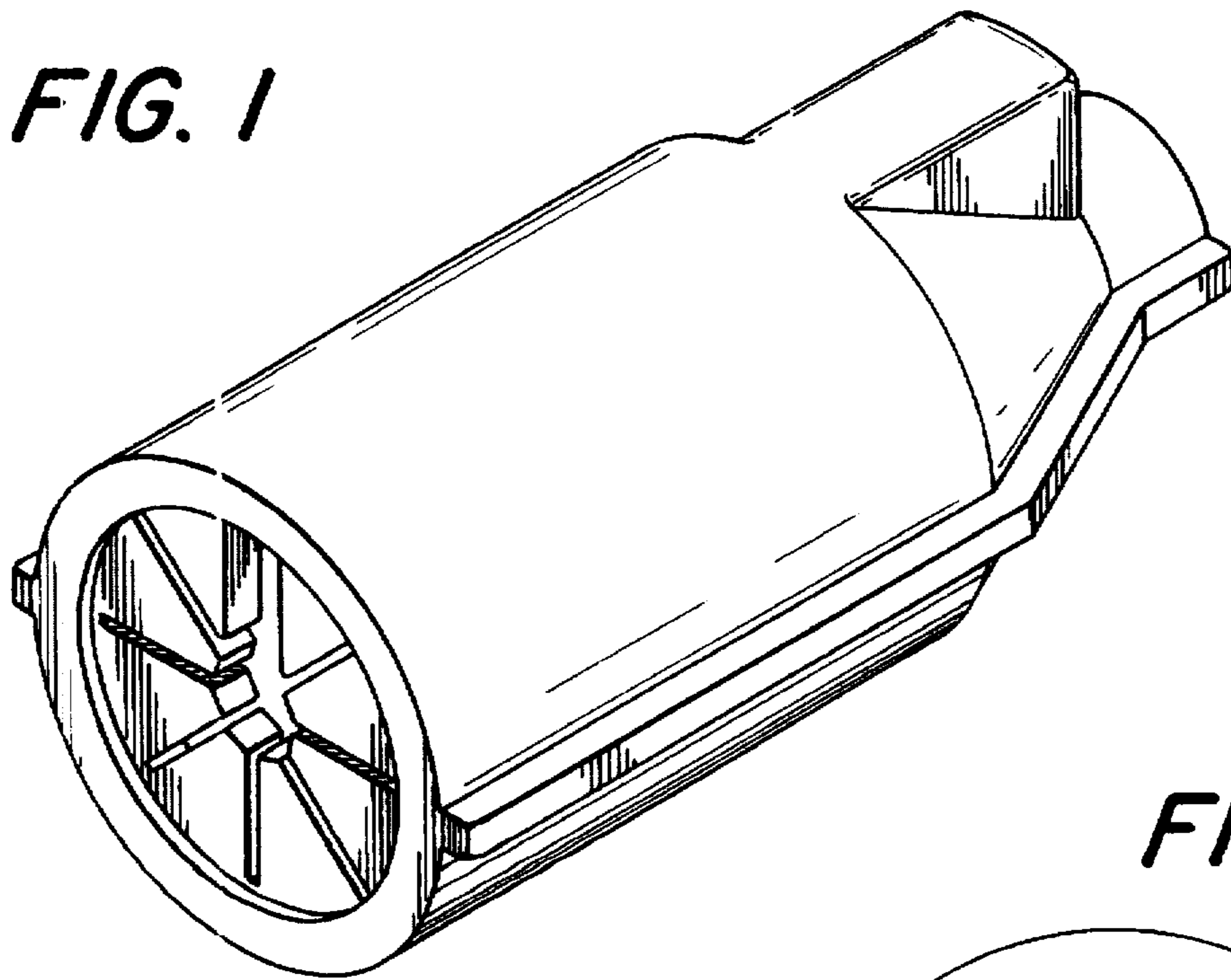


FIG. 2

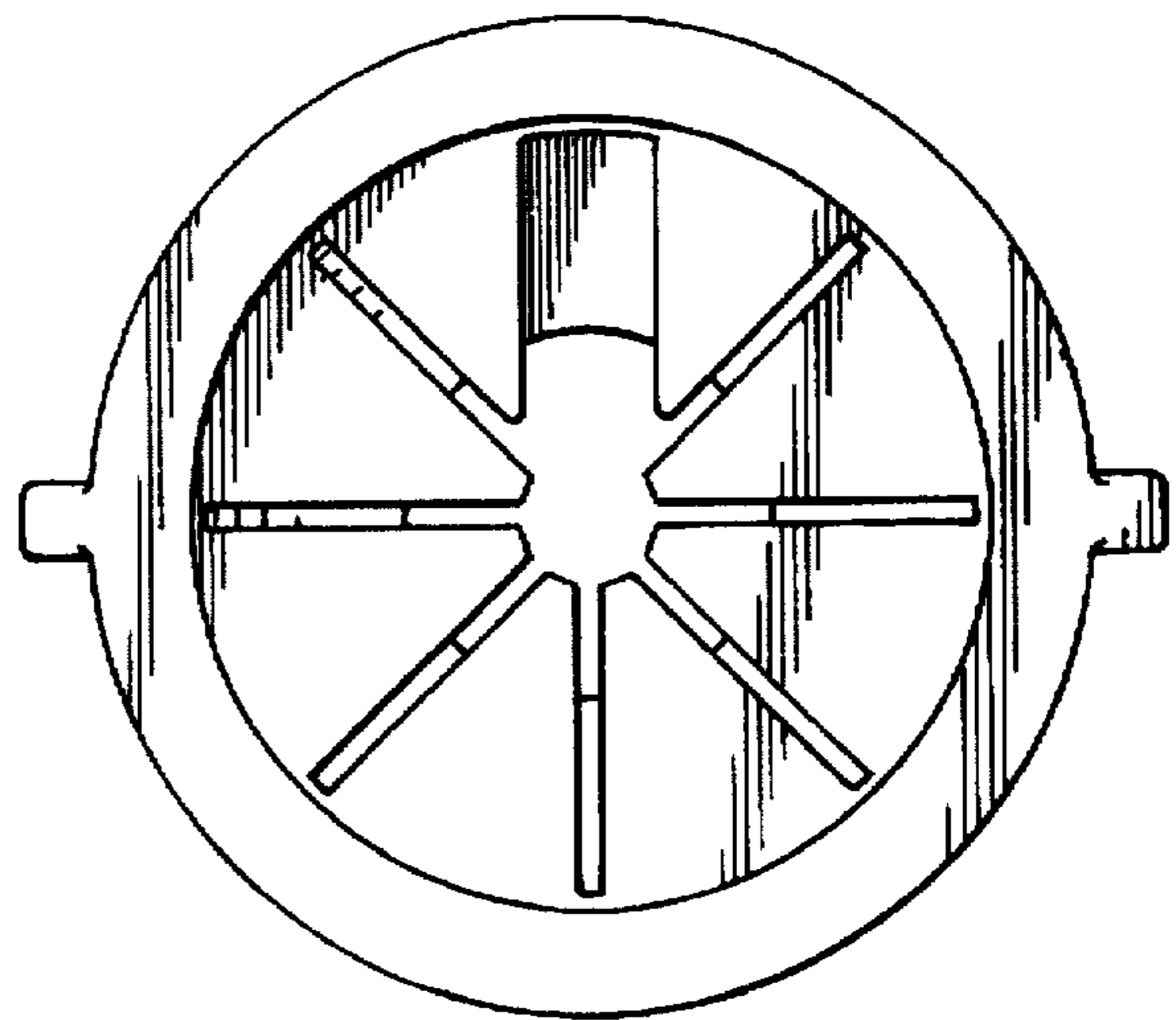


FIG. 3

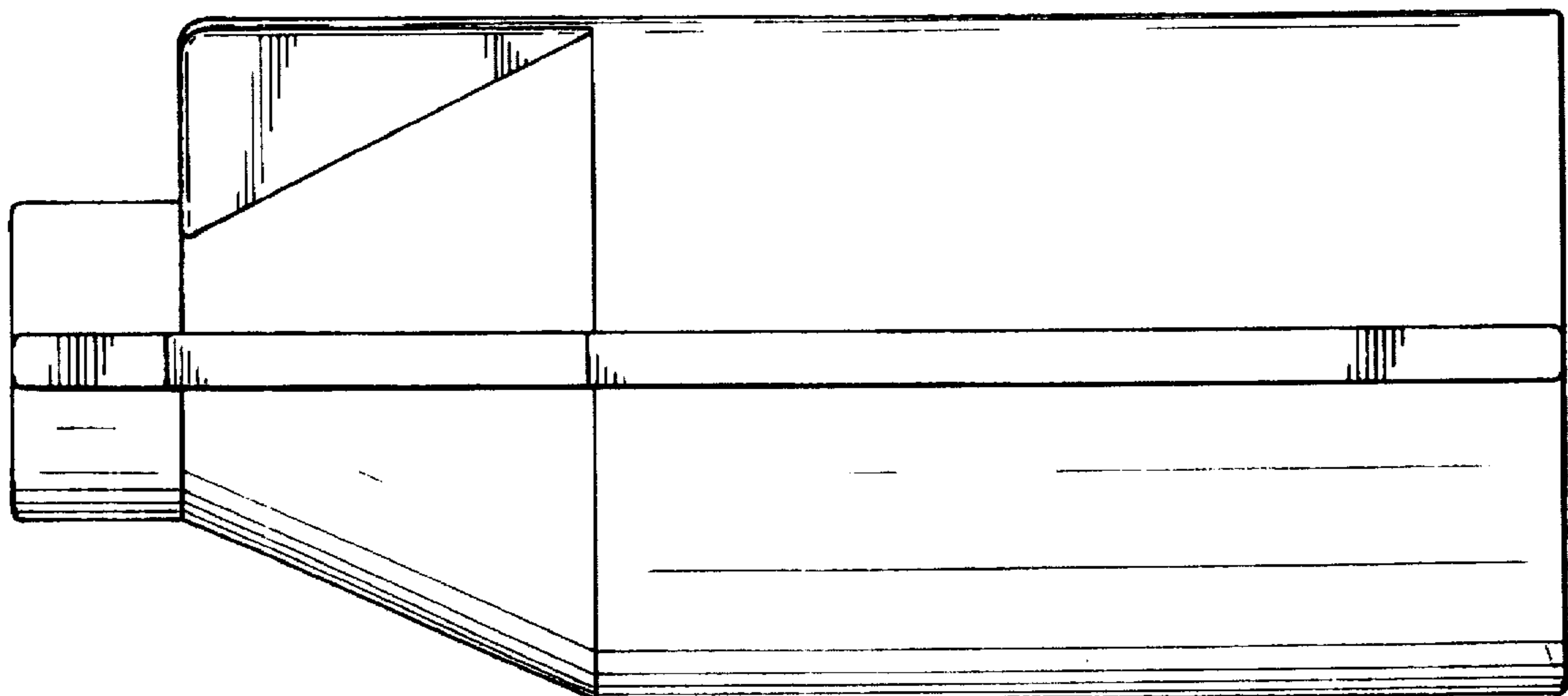


FIG. 4

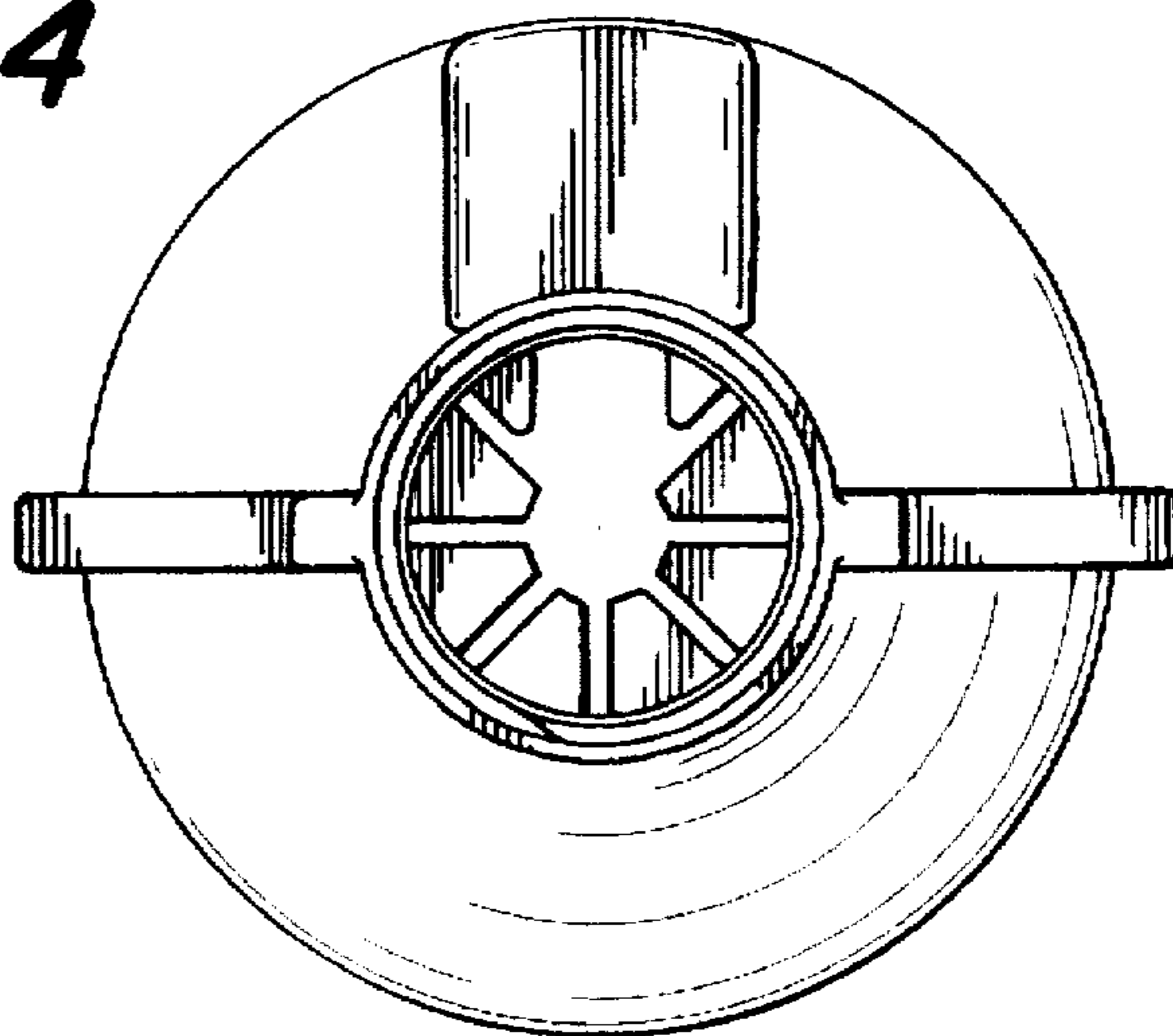


FIG. 5

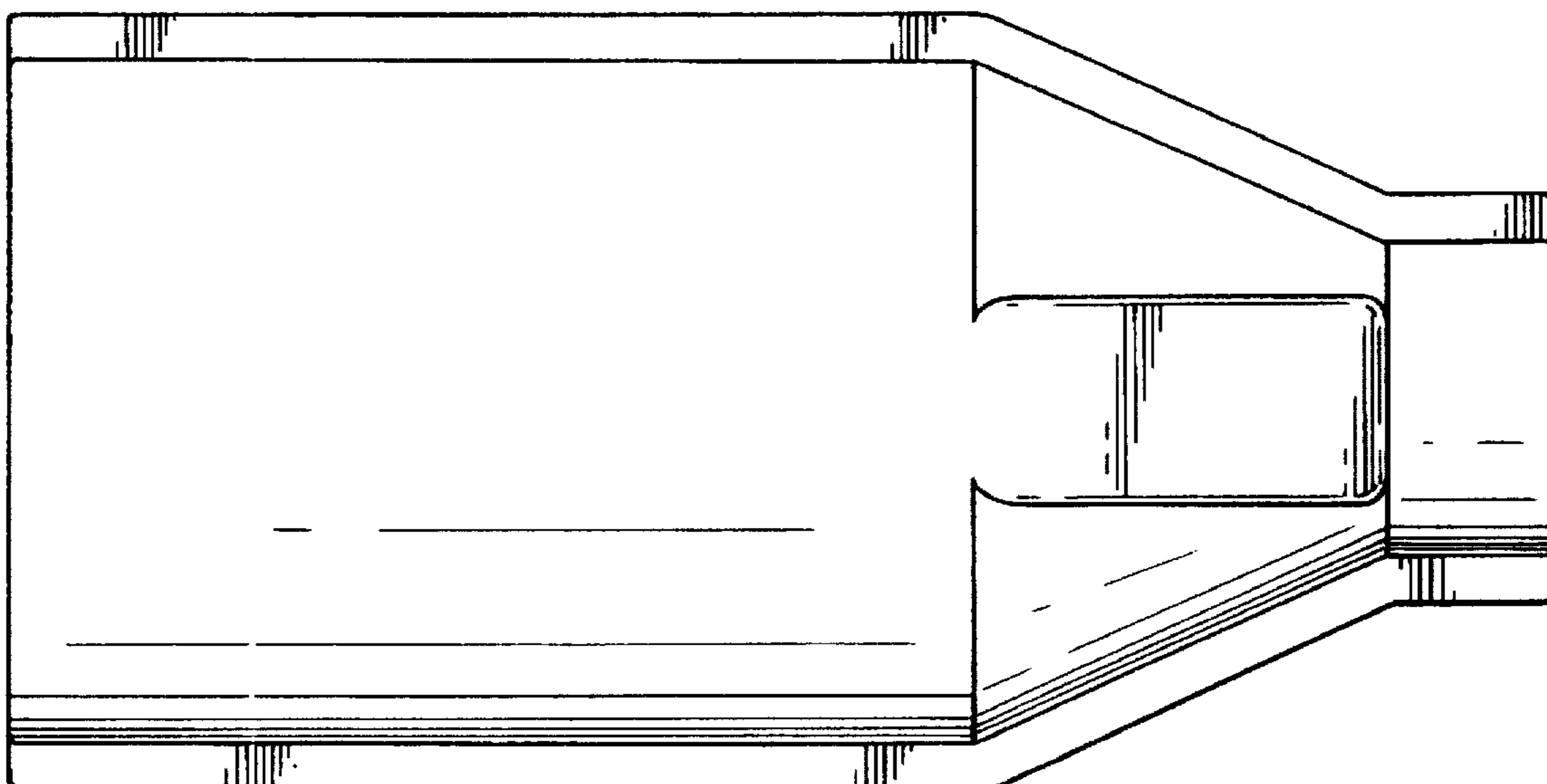


FIG. 6

