

US00D392013S

United States Patent [19] Scarlett

[11] Patent Number: **Des. 392,013**

[45] Date of Patent: ****Mar. 10, 1998**

[54] **SLINGSHOT**

[76] Inventor: **Christopher S. Scarlett**, P.O. Box 30126, Seattle, Wash. 98103

[**] Term: **14 Years**

[21] Appl. No.: **64,446**

[22] Filed: **Dec. 31, 1996**

[51] LOC (6) Cl. **22-01**

[52] U.S. Cl. **D22/106; D22/100; D22/199**

[58] Field of Search **D22/100, 106, D22/199; 124/17, 20.1; 42/70.11**

[56] **References Cited**

U.S. PATENT DOCUMENTS

D. 334,613	4/1993	Laidley	D22/106
363,756	5/1887	Myers	124/20.1
3,277,878	10/1966	Pankratz	124/20.1
4,703,744	11/1987	Taylor et al.	124/20.1
5,431,145	7/1995	Strait et al.	124/17

OTHER PUBLICATIONS

Popular Science, May 1951, p. 173, "Flower Barrow", upper right of page.

Primary Examiner—Doris V. Coles
Assistant Examiner—Monica A. Weingart
Attorney, Agent, or Firm—Christensen O'Connor Johnson & Kindness PLLC

[57] **CLAIM**

The ornamental design for a slingshot, as shown.

DESCRIPTION

FIG. 1 is a top view of a slingshot showing my new design;

FIG. 2 is a bottom view thereof;

FIG. 3 is a rear elevational view thereof;

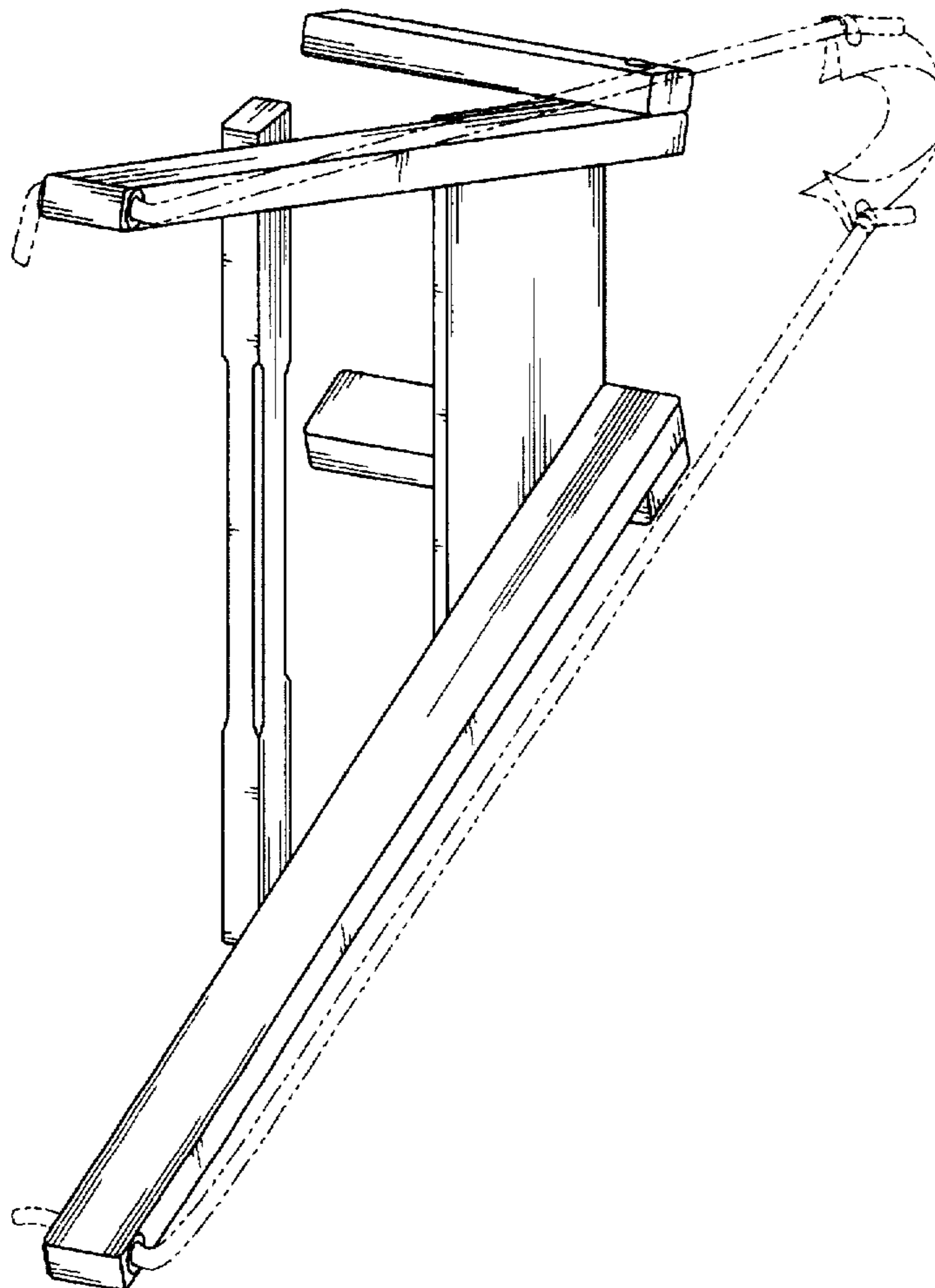
FIG. 4 is a front elevation view thereof;

FIG. 5 is a side elevation view of one side, the opposite side thereof being symmetrical; and,

FIG. 6 is a perspective view of the slingshot showing my new design.

The broken line showing of bands and a carrier member in FIG. 6 is for illustrative purposes only and forms no part of the claimed design.

1 Claim, 5 Drawing Sheets



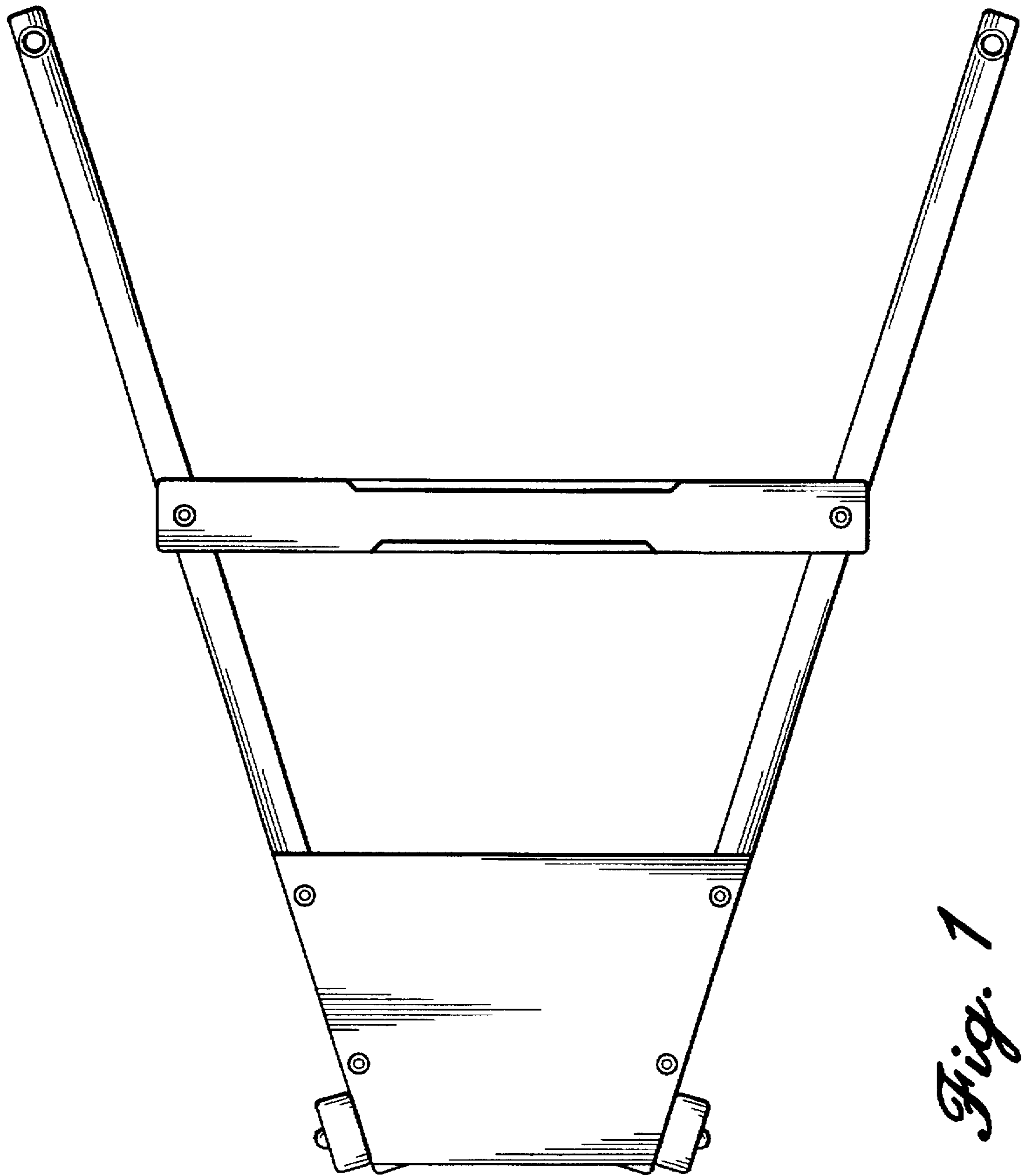


Fig. 1

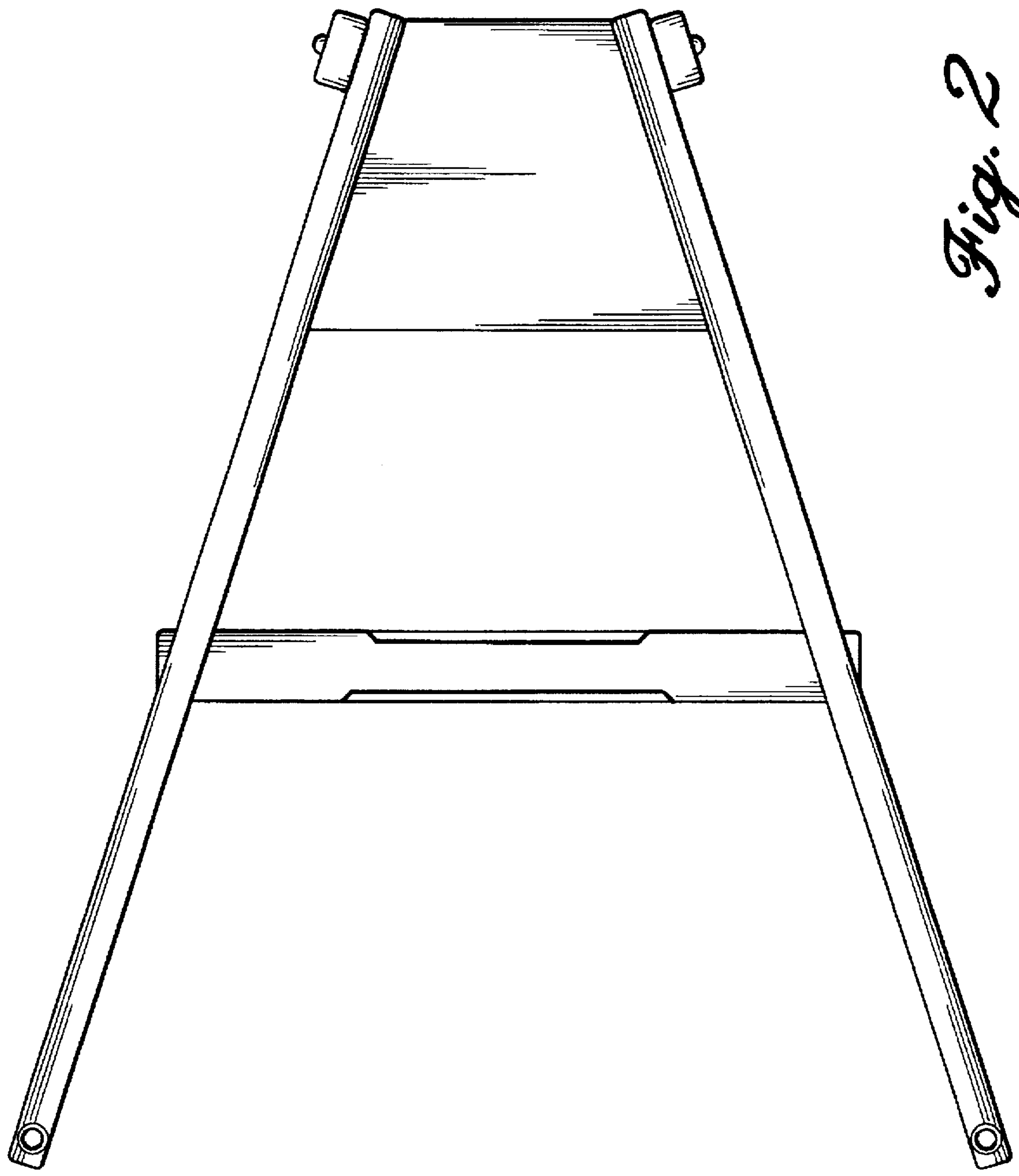


Fig. 2

Fig. 3

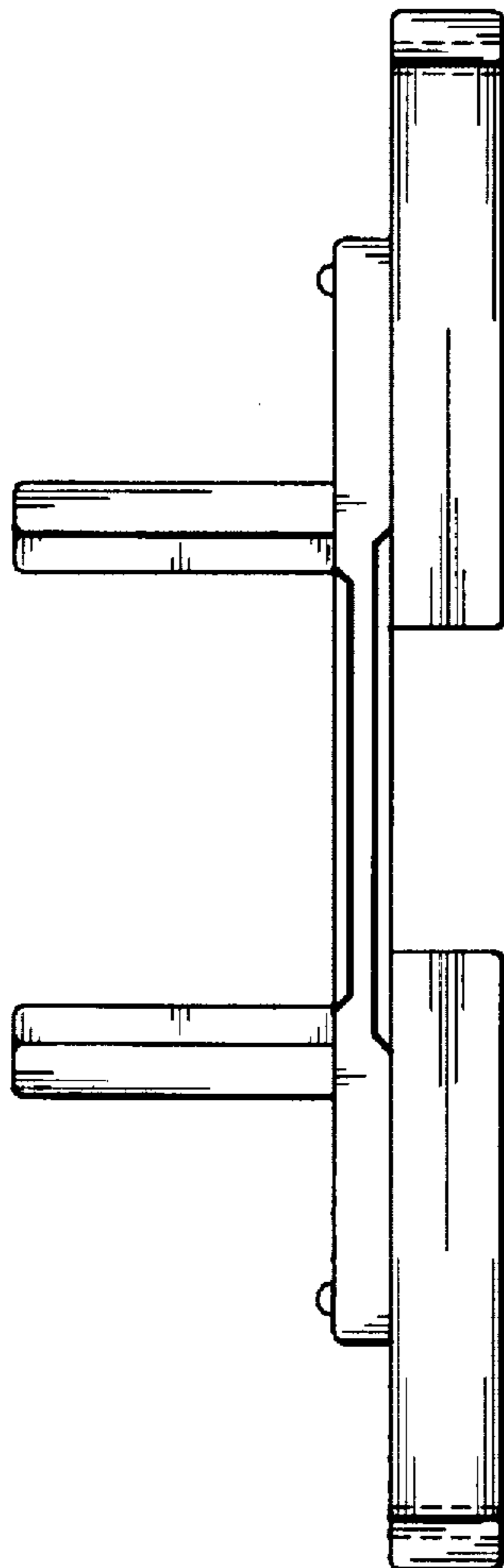
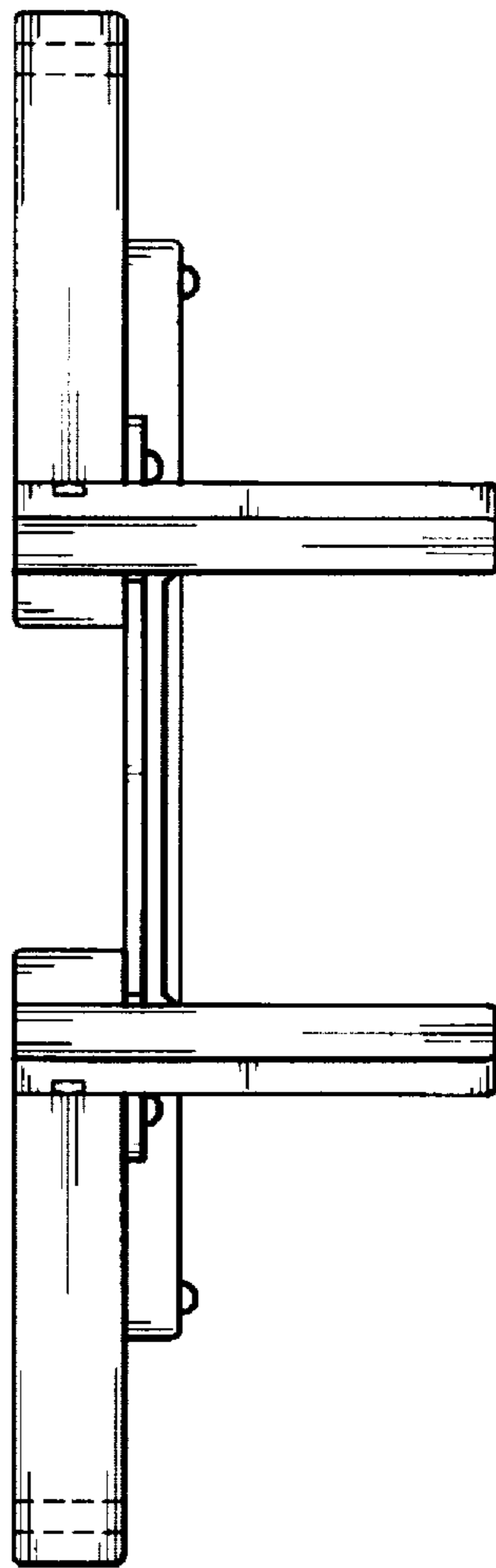


Fig. 4

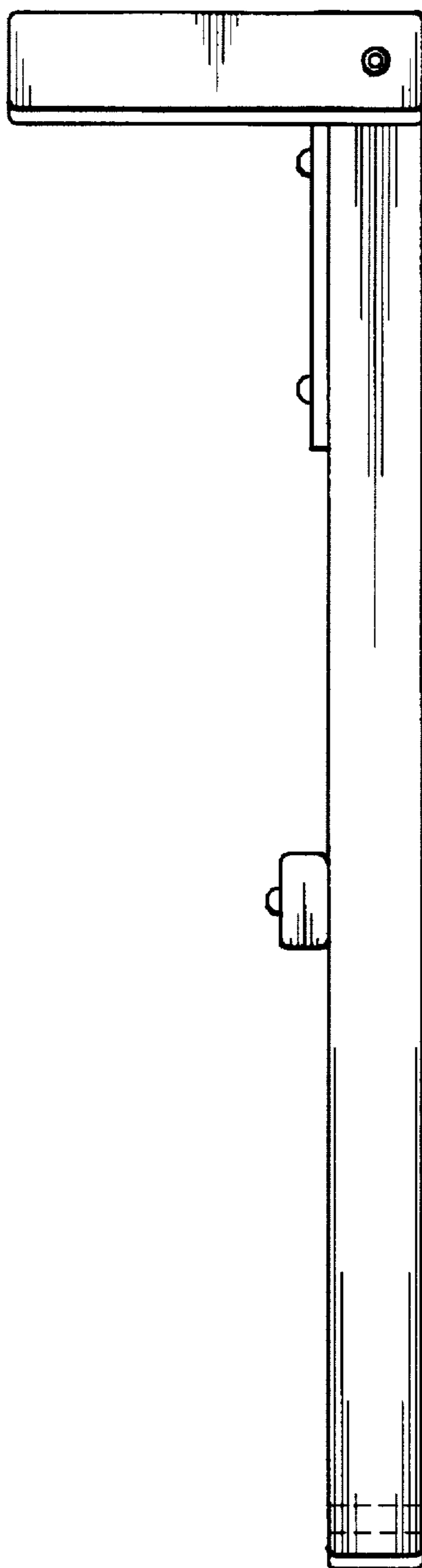


Fig. 5

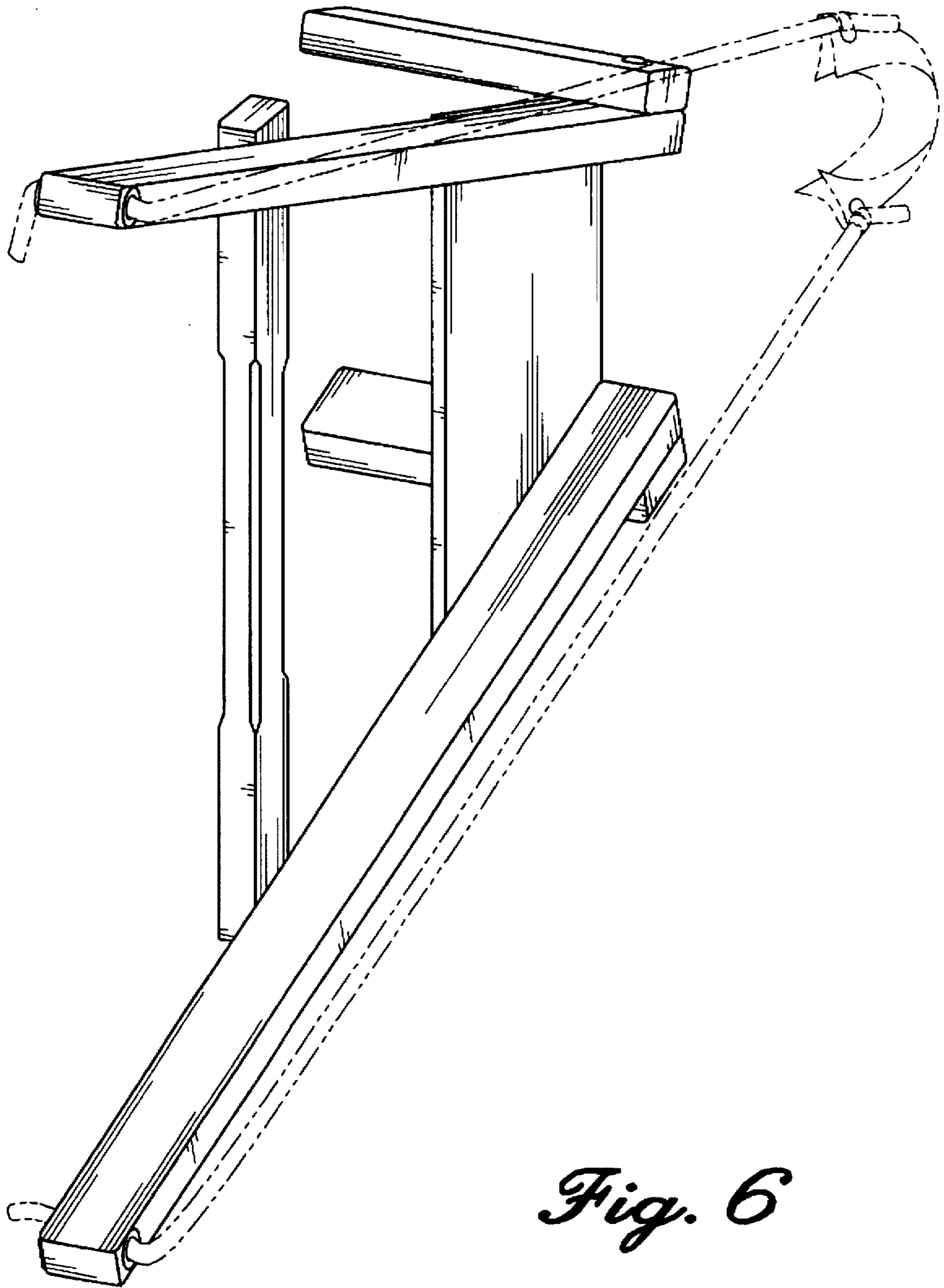


Fig. 6