



US00D392009S

United States Patent [19]
Maltby

[11] **Patent Number: Des. 392,009**
[45] **Date of Patent: **Mar. 10, 1998**

[54] **PUTTER HEAD**

[75] **Inventor: Ralph D. Maltby, Granville, Ohio**

[73] **Assignee: Ralph Maltby Enterprises, Inc., Newark, Ohio**

[**] **Term: 14 Years**

[21] **Appl. No.: 62,240**

[22] **Filed: Nov. 12, 1996**

[51] **LOC (6) Cl. 21-02**

[52] **U.S. Cl. D21/219**

[58] **Field of Search D21/217-219; 473/251-255, 340, 342, 324**

[56] **References Cited**

U.S. PATENT DOCUMENTS

D. 191,212	8/1961	Hyde	D21/219 X
D. 240,643	7/1976	Manfrin	D21/218
D. 271,783	12/1983	Simmons	D21/217
D. 354,785	1/1995	Luks	D21/219
786,267	4/1905	Corey et al.	473/325
5,290,035	3/1994	Hannon et al.	.	
5,340,104	8/1994	Griffin	.	

OTHER PUBLICATIONS

Golf World; p. 5; Axaline Longhorn putter, Jan. 1968.

Primary Examiner—Ted Shooman
Assistant Examiner—Mitchell I. Sieger
Attorney, Agent, or Firm—Killworth, Gottman, Hagan & Schaeff, L.L.P.

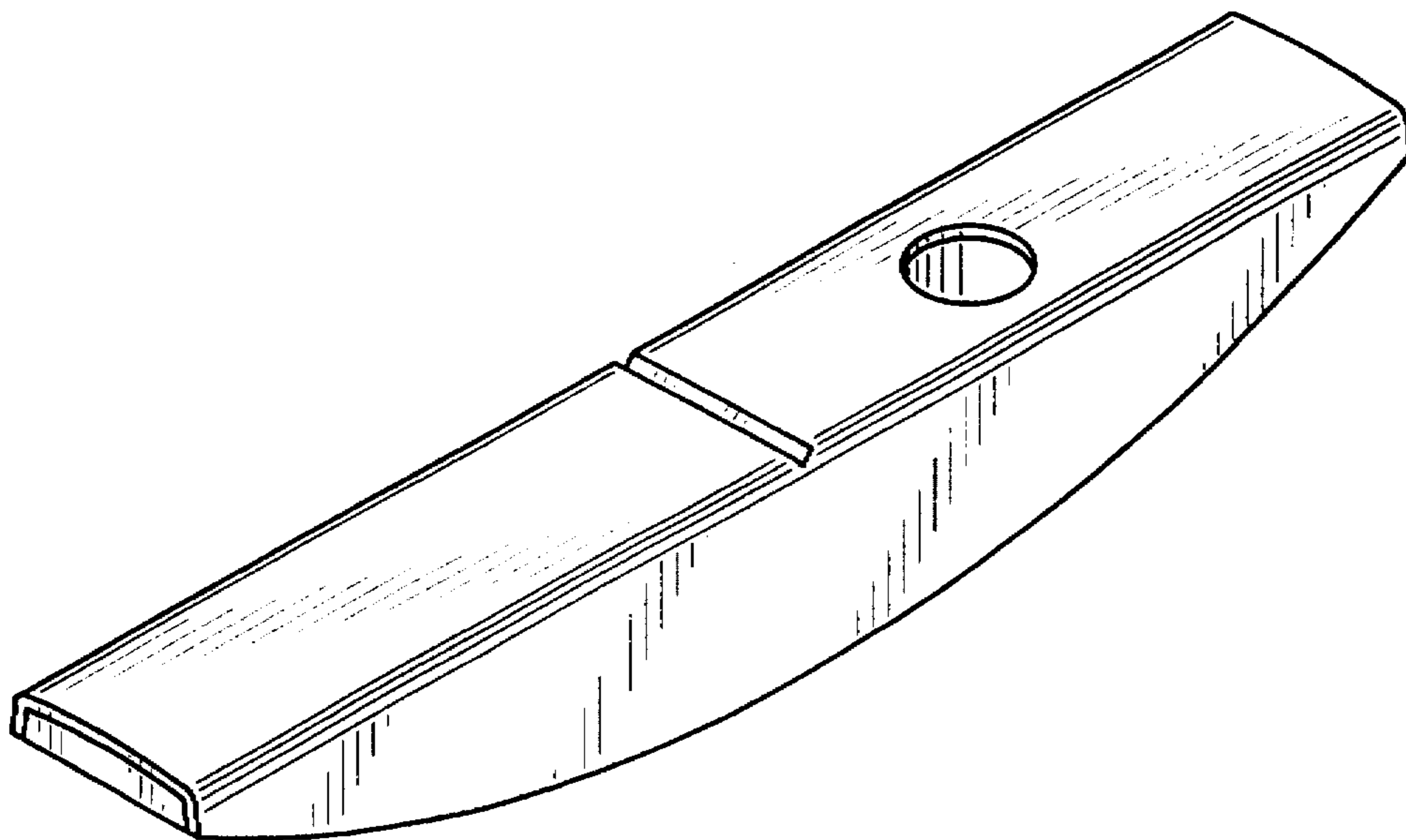
[57] **CLAIM**

The ornamental design for a putter head, as shown and described.

DESCRIPTION

FIG. 1 is a perspective view of a putter head illustrating my new design;
FIG. 2 is a top view of the design shown in FIG. 1;
FIG. 3 is a side elevational view of the design shown in FIG. 1; the opposite side being a mirror image thereof;
FIG. 4 is a bottom view of the design of FIG. 1;
FIG. 5 is a left elevational view of the design of FIG. 1; and,
FIG. 6 is a right elevational view of the design of FIG. 1.

1 Claim, 1 Drawing Sheet



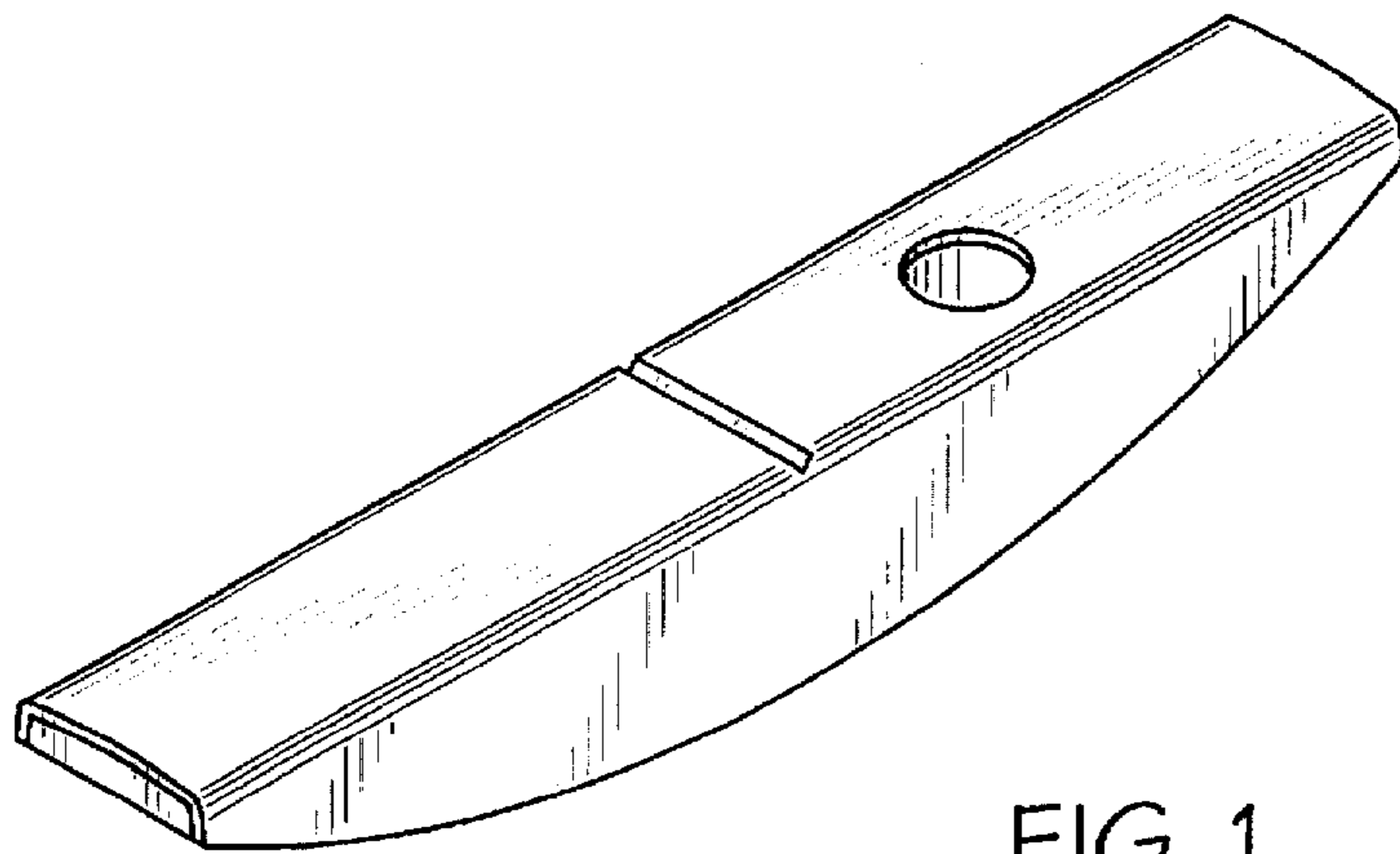


FIG. 1

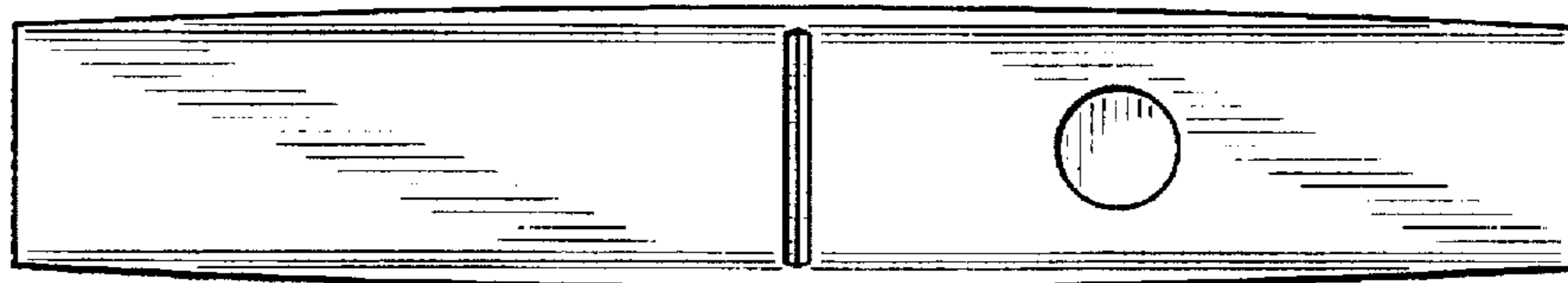


FIG. 2

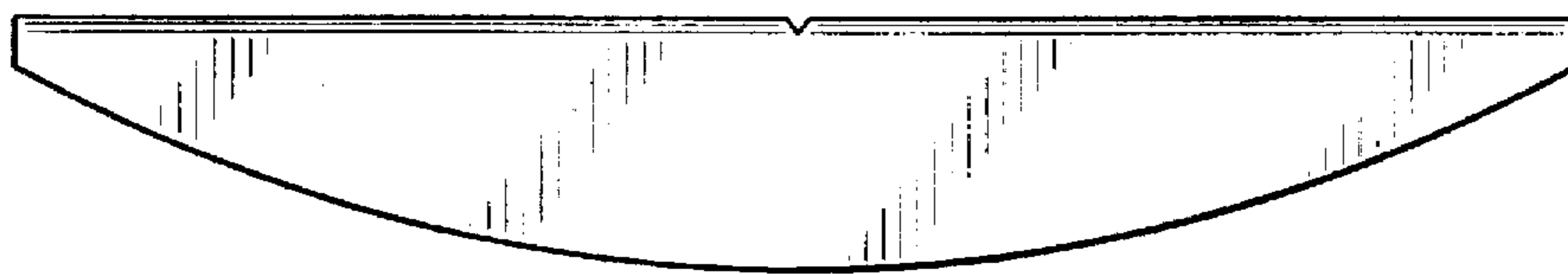


FIG. 3

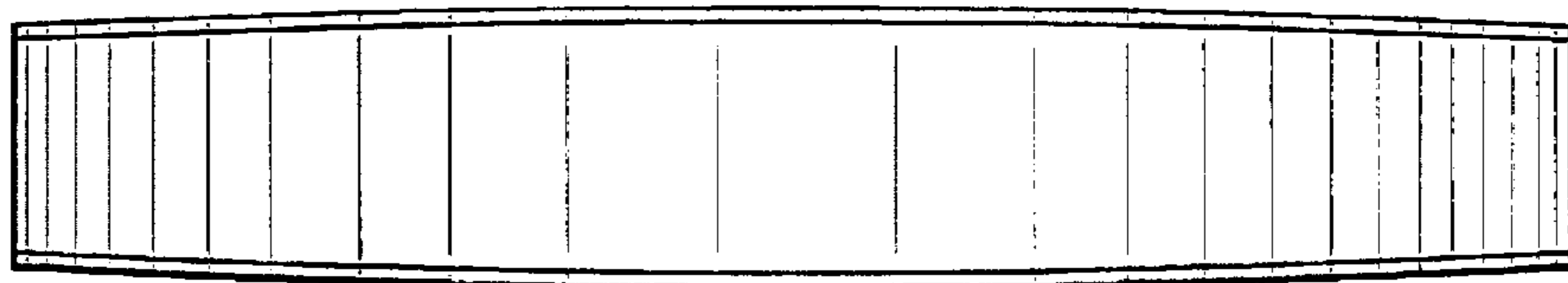


FIG. 4

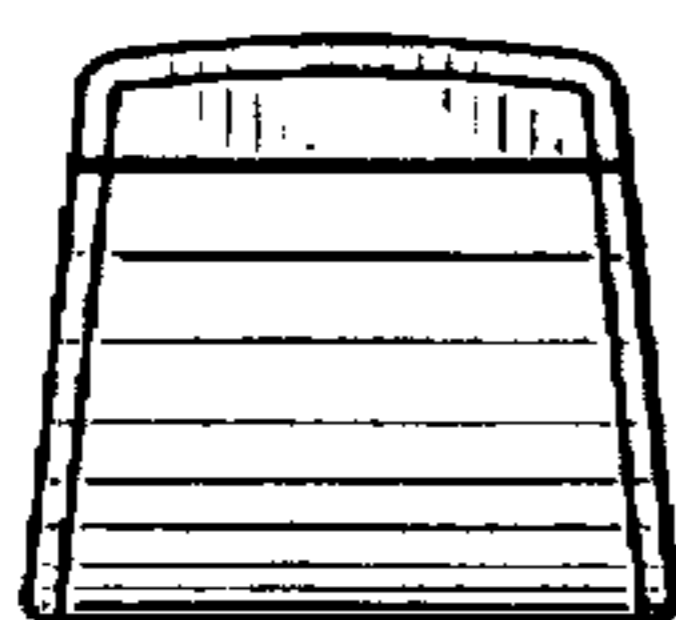


FIG. 5

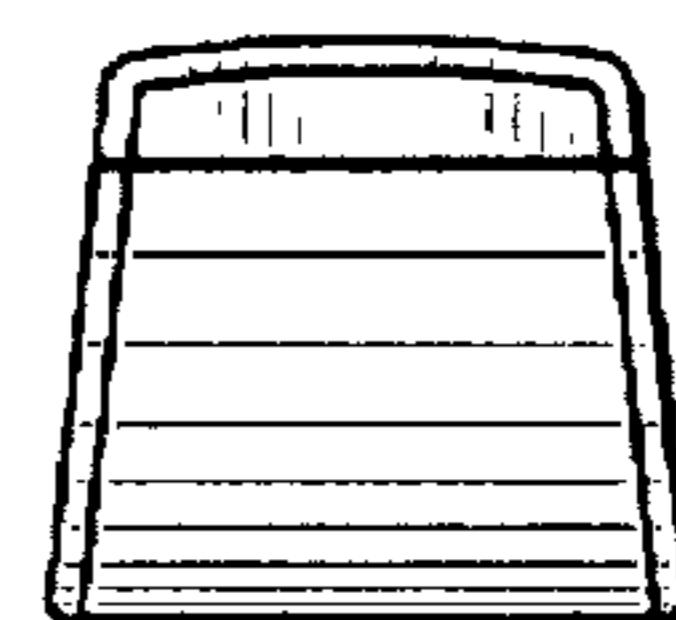


FIG. 6