

US00D392008S

United States Patent [19]
Klein

[11] **Patent Number: Des. 392,008**

[45] **Date of Patent: **Mar. 10, 1998**

[54] **GOLF PUTTER**

5,340,107 8/1994 Baker et al. 473/341
5,544,883 8/1996 Meyer 473/252 X

[75] **Inventor: Lon Klein, Forest Hills, N.Y.**

OTHER PUBLICATIONS

[73] **Assignee: New Vision Golf Corp., New City, N.Y.**

Pinnacle brochure; putter, upper right of page.
Golf World; p. 19, Kilk putter, Jun. 1972.
Ping Brochure; p. 2; BLD putter, upper left of page, Jan. 1971.

[**] **Term: 14 Years**

[21] **Appl. No.: 58,695**

Primary Examiner—Ted Shooman
Assistant Examiner—Mitchell I. Siegel
Attorney, Agent, or Firm—Steinberg, Raskin & Davidson, P.C.

[22] **Filed: Aug. 21, 1996**

Related U.S. Application Data

[63] **Continuation-in-part of Ser. No. 356,841, Dec. 15, 1994, Pat. No. 5,569,098.**

[57] **CLAIM**

[51] **LOC (6) Cl. 21-02**

The ornamental design for a golf putter, as shown and described.

[52] **U.S. Cl. D21/217**

DESCRIPTION

[58] **Field of Search D21/217-219; 473/251-256, 340, 341**

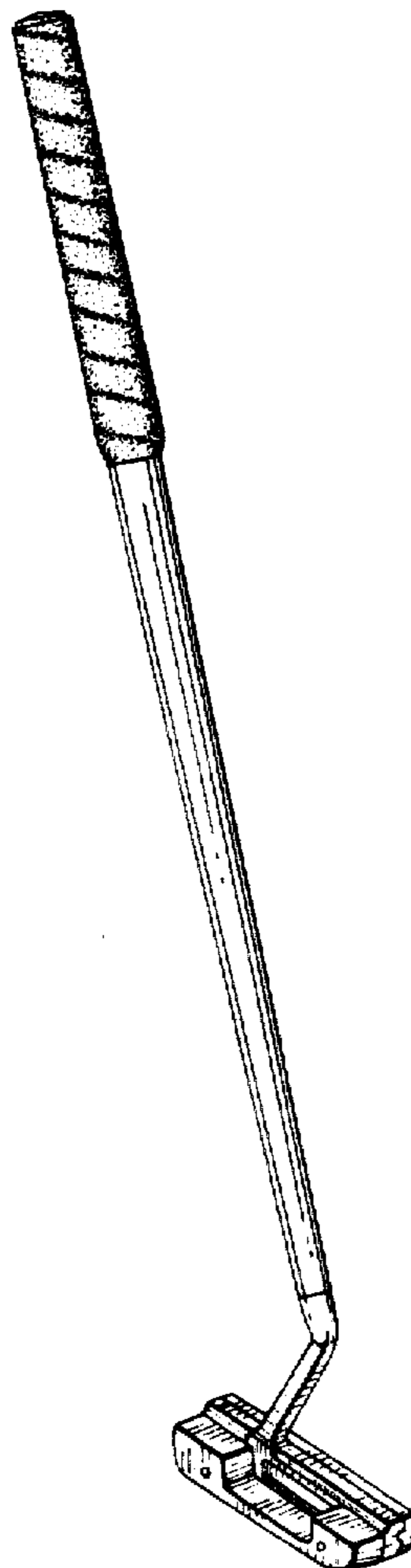
FIG. 1 is a front, left perspective view of a golf putter showing my new design;
FIG. 2 is a top view thereof;
FIG. 3 is a bottom view thereof;
FIG. 4 is a front view thereof; and,
FIG. 5 is a right side view thereof.

[56] **References Cited**

U.S. PATENT DOCUMENTS

- D. 313,449 1/1991 Shearer D21/219
- D. 355,687 2/1995 Morrow D21/219
- D. 377,819 2/1997 Kleinfelter D21/219

1 Claim, 3 Drawing Sheets



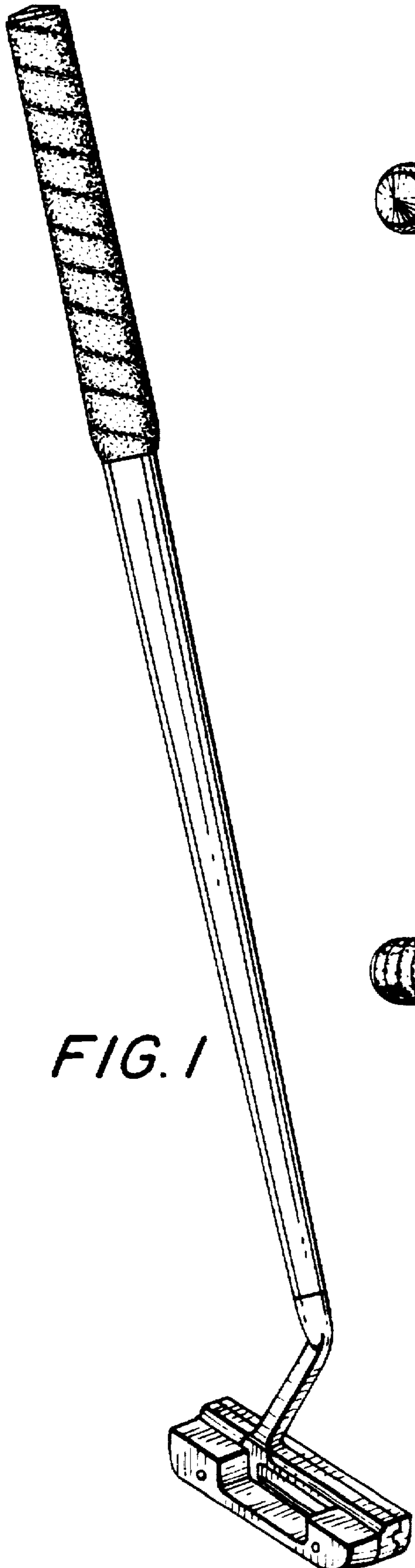


FIG. 1

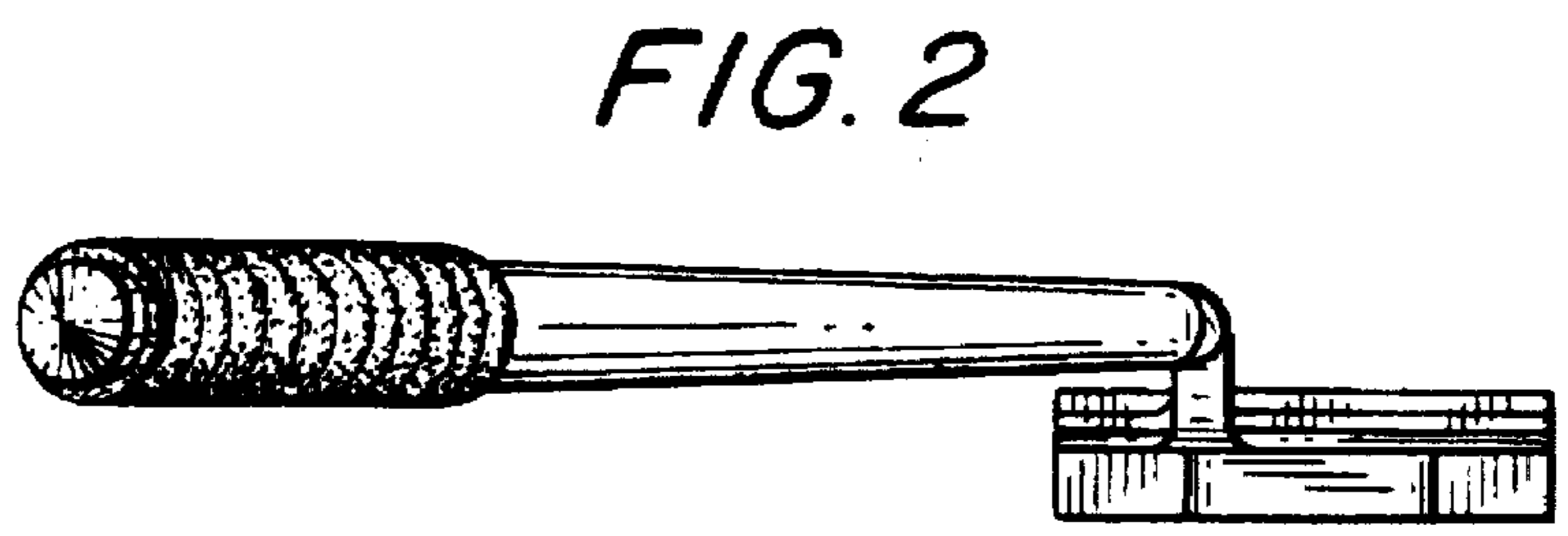


FIG. 2



FIG. 3

FIG. 4

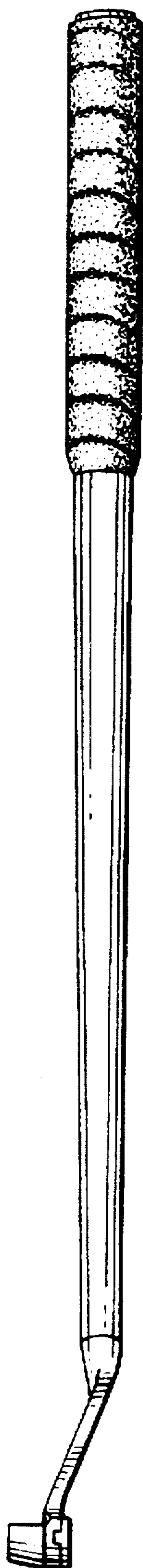
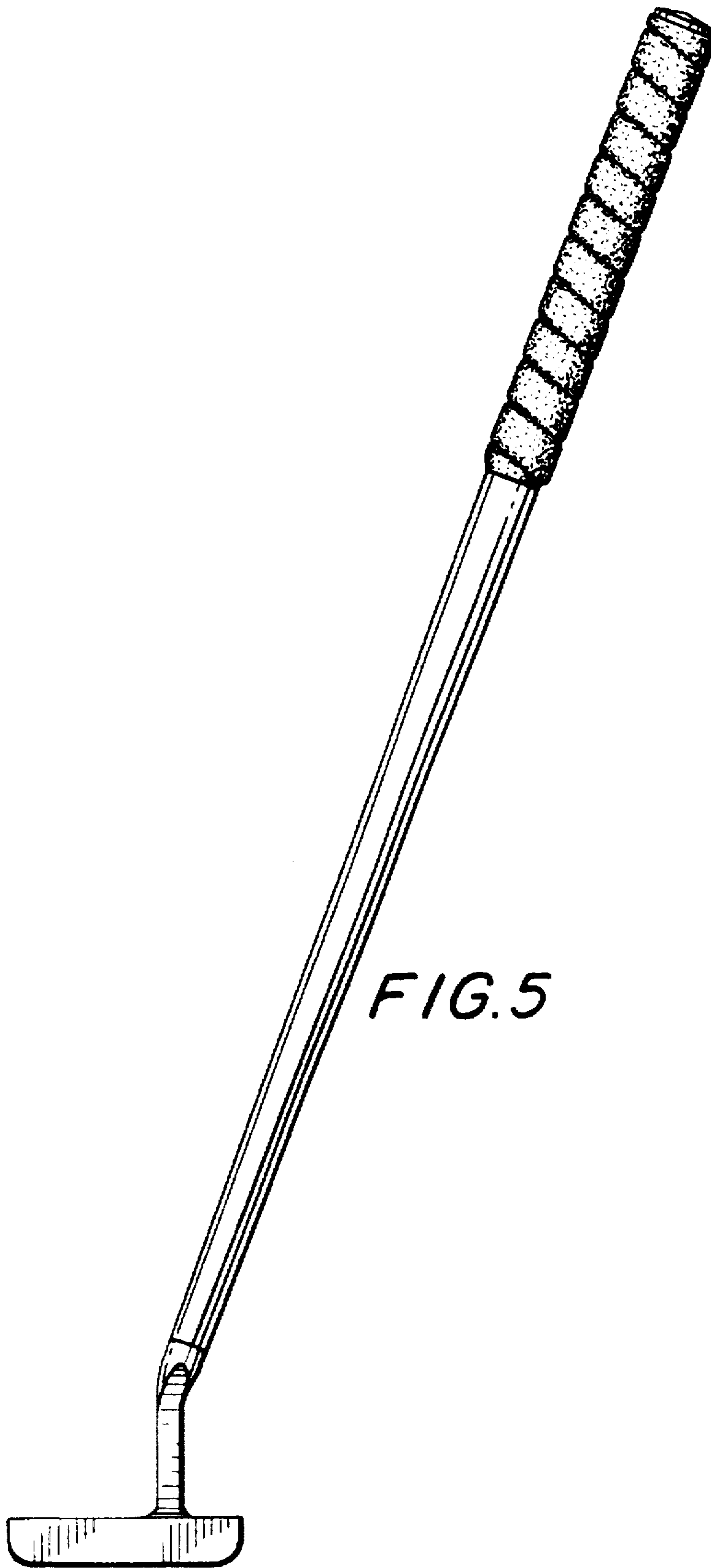


FIG. 5



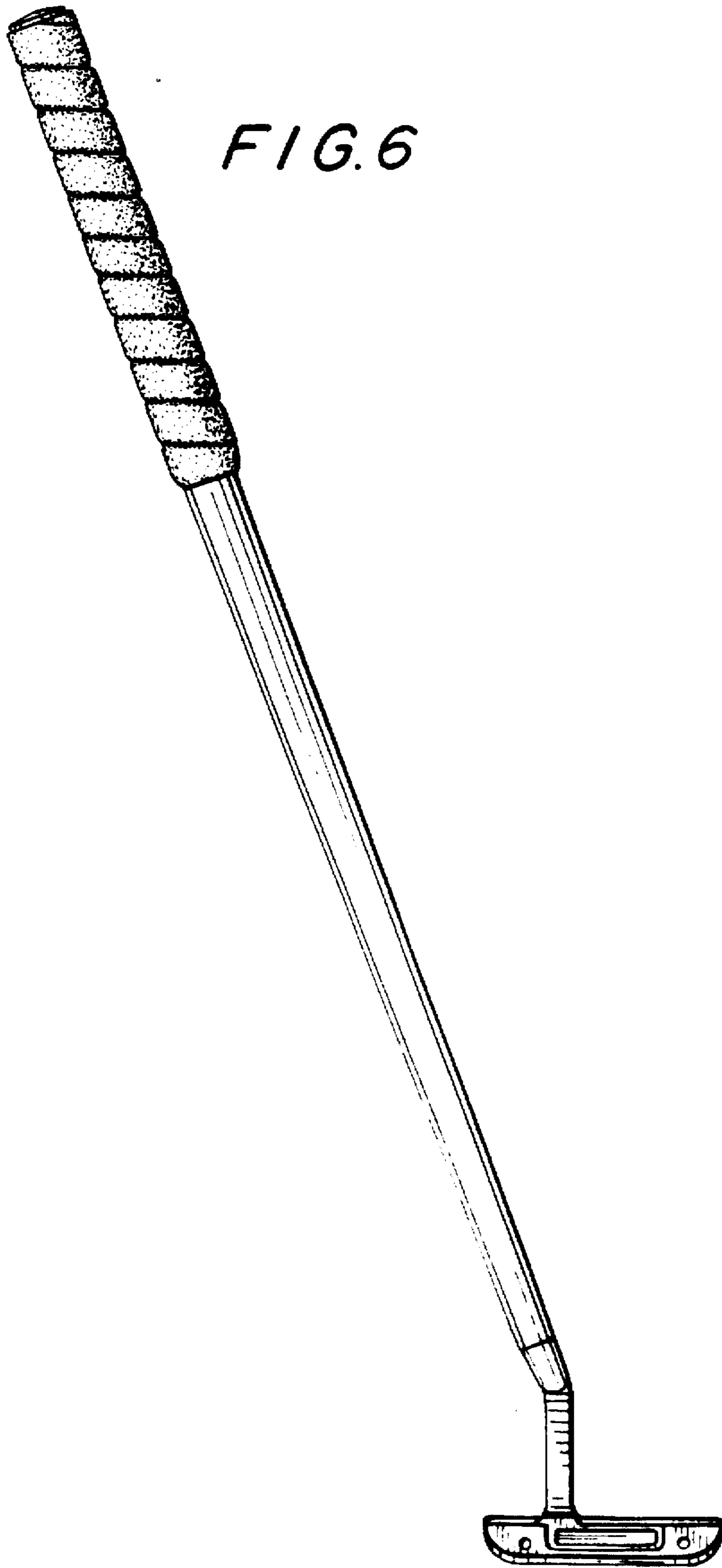


FIG. 6

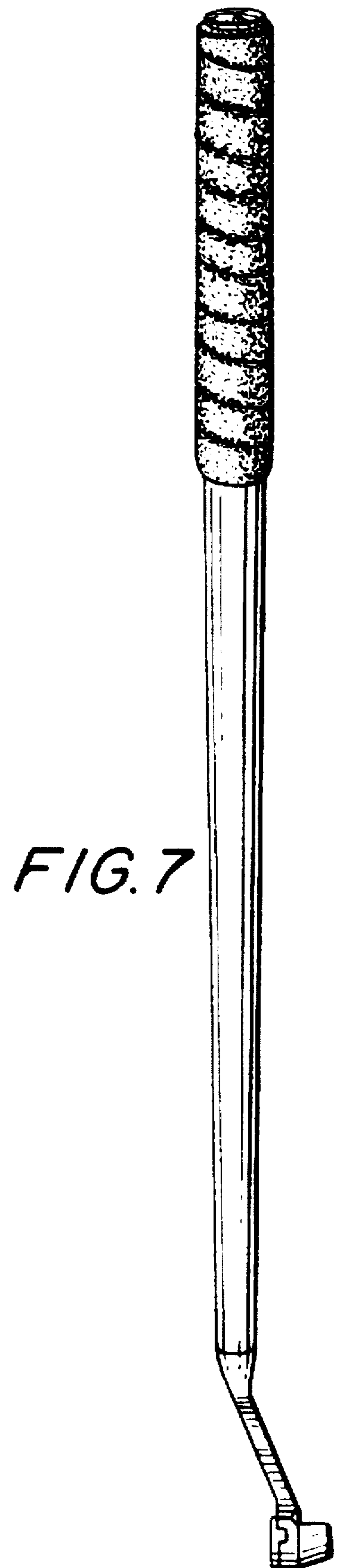


FIG. 7