

US00D392006S

United States Patent [19]

Dalebout et al.

[11] Patent Number: **Des. 392,006**

[45] Date of Patent: ****Mar. 10, 1998**

[54] **STRIDING EXERCISER**

[75] Inventors: **William T. Dalebout**, North Logan;
Mark LeBeau, Logan, both of Utah

[73] Assignee: **Icon Health & Fitness, Inc.**, Logan,
Utah

[**] Term: **14 Years**

[21] Appl. No.: **54,016**

[22] Filed: **May 6, 1996**

[51] LOC (6) Cl. **21-02**

[52] U.S. Cl. **D21/192; D21/191**

[58] Field of Search **D21/191, 192,**
D21/193, 194, 195; 482/51, 52, 54, 57,
70

[56] **References Cited**

U.S. PATENT DOCUMENTS

D. 373,393	9/1996	Montijo et al.	D21/191
4,850,585	7/1989	Dalebout	482/51
4,940,233	7/1990	Bull et al.	482/51
5,419,747	5/1995	Piaget et al.	482/51
5,496,235	3/1996	Stevens	482/51
5,536,224	7/1996	Hsieh	482/70

OTHER PUBLICATIONS

Marcy® Cross Trainer Product Literature, upon information and belief, published prior to the filing date of the above referenced application.

The Reebok Sky Walker Product Literature, upon information and belief, published prior to the filing date of the above referenced application.

Welso® Air Walker® Owner's Manual, 1993.

Pro-Form Air Walker Electronic Ergometer Product Literature, 1989/1990.

Pro-Form Air Walker Product Literature, 1992.

Pro-Form 520 ZI Zero Impact Product Literature, 1993.

Primary Examiner—Phillip S. Hyder

Attorney, Agent, or Firm—Workman, Nydegger & Seeley

[57] **CLAIM**

The ornamental design for a striding exerciser, as shown and described.

DESCRIPTION

FIG. 1 is a perspective view of a striding exerciser, showing our new design, the handle members thereof and their corresponding leg members shown in a parallel resting position;

FIG. 2 is a front view of the striding exerciser shown in FIG. 1 ;

FIG. 3 is a right-side elevational view of the striding exerciser shown in FIG. 1;

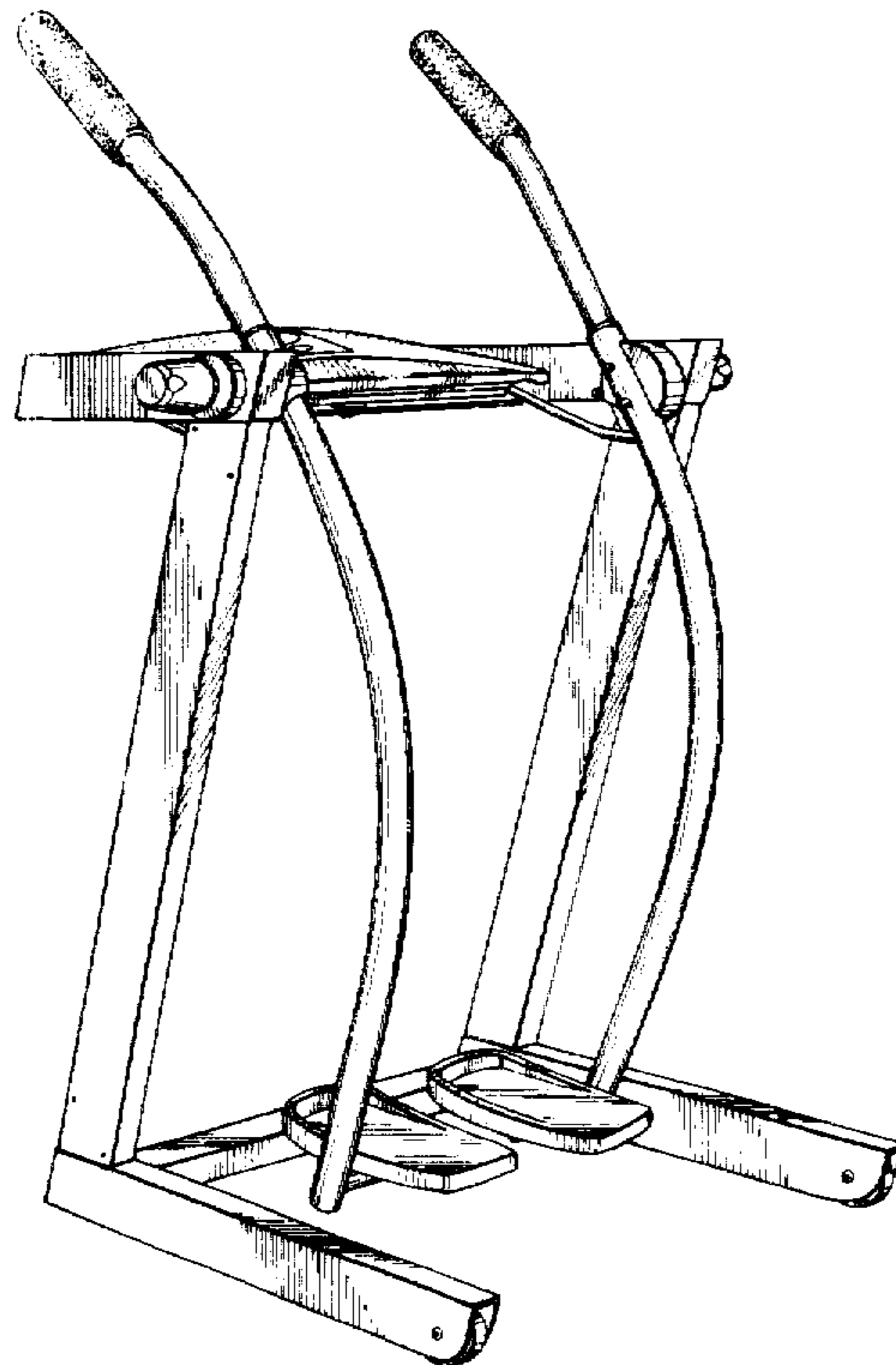
FIG. 4 is a left-side elevational view of the striding exerciser shown in FIG. 1;

FIG. 5 is a back elevational view of the striding exerciser shown in FIG. 1;

FIG. 6 is a top plan view of the striding exerciser shown in FIG. 1; and,

FIG. 7 is a bottom plan view of the striding exerciser shown in FIG. 1.

1 Claim, 4 Drawing Sheets



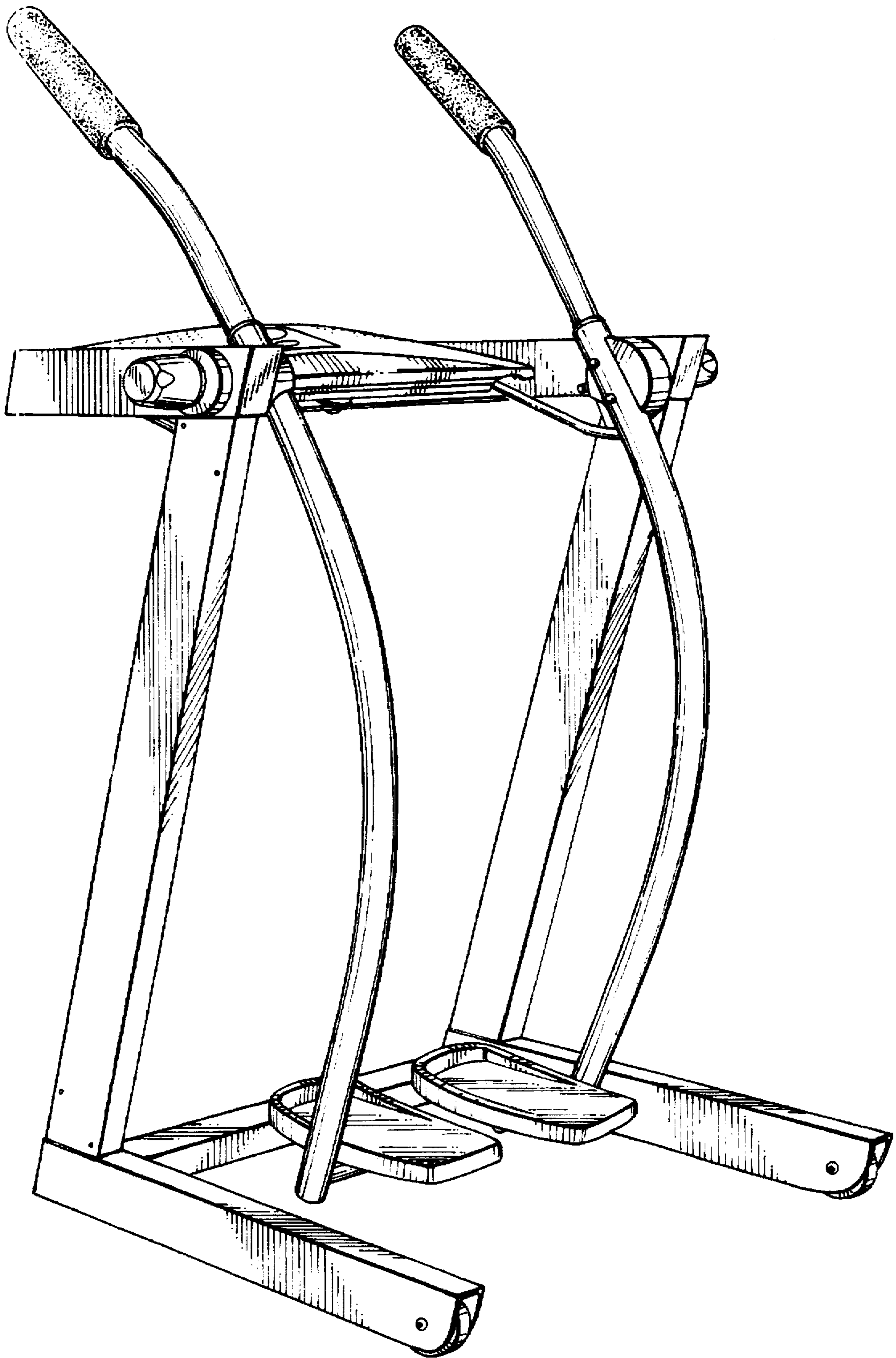


FIG. 1

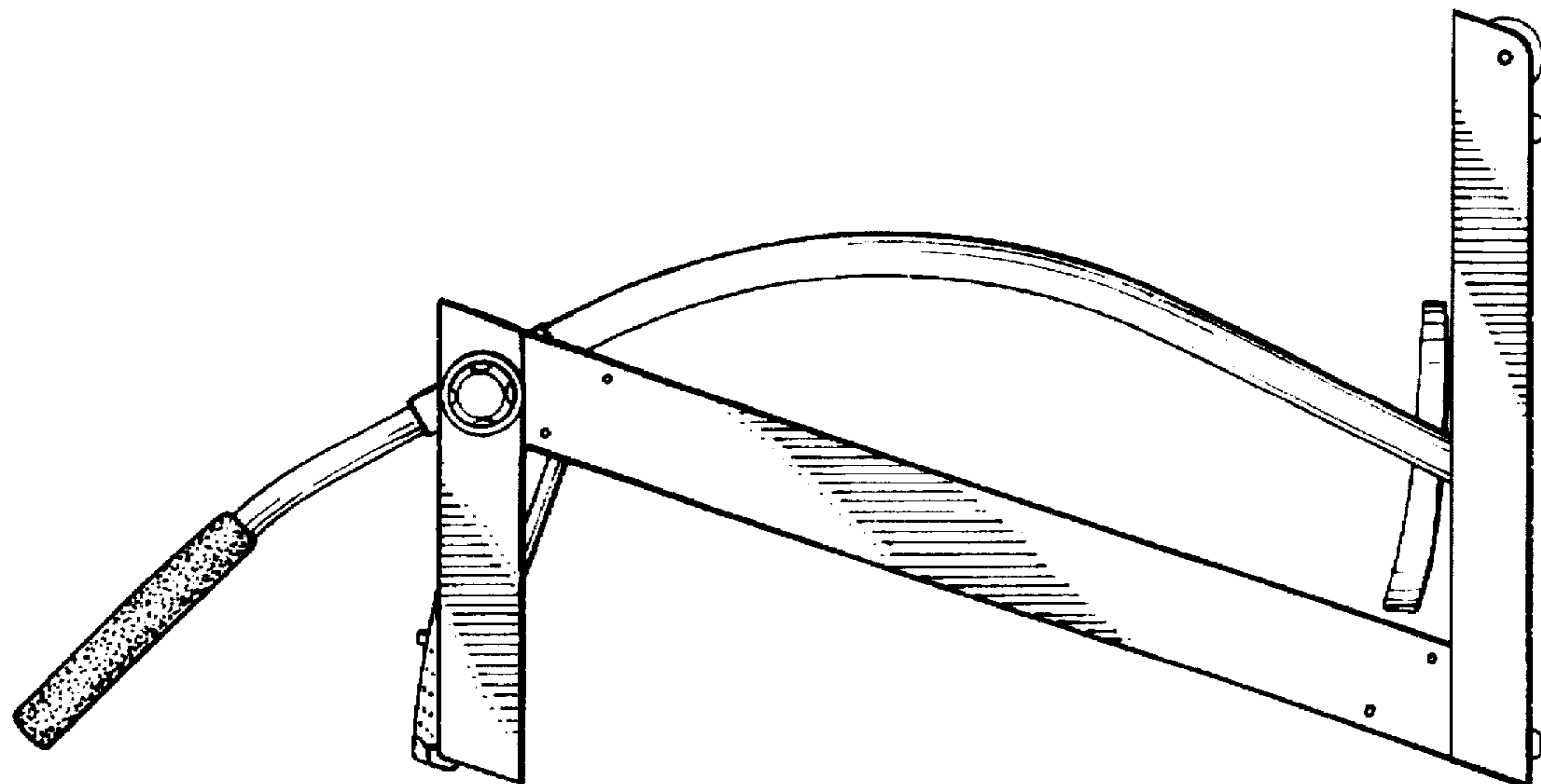


FIG. 3

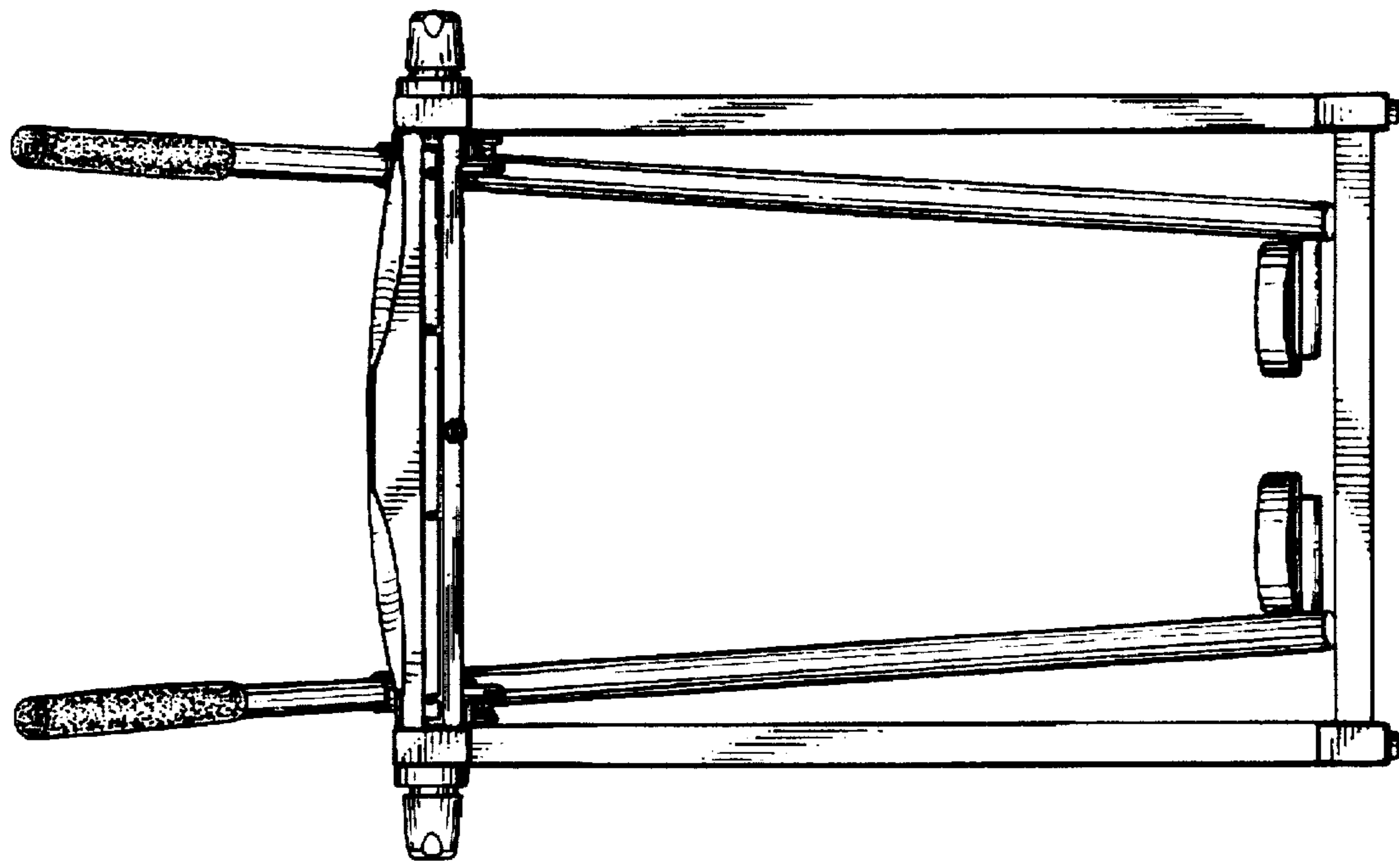


FIG. 2

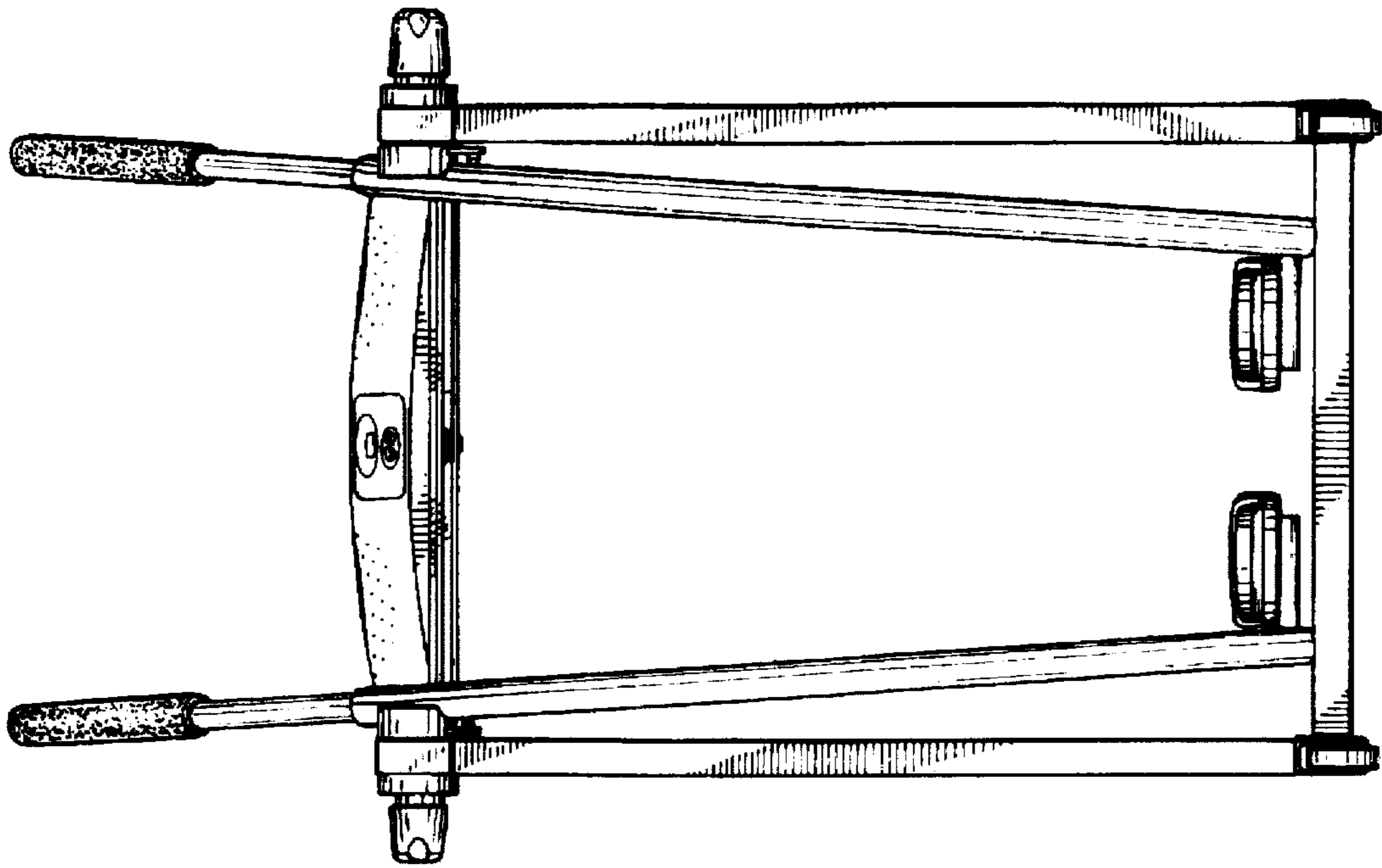


FIG. 5

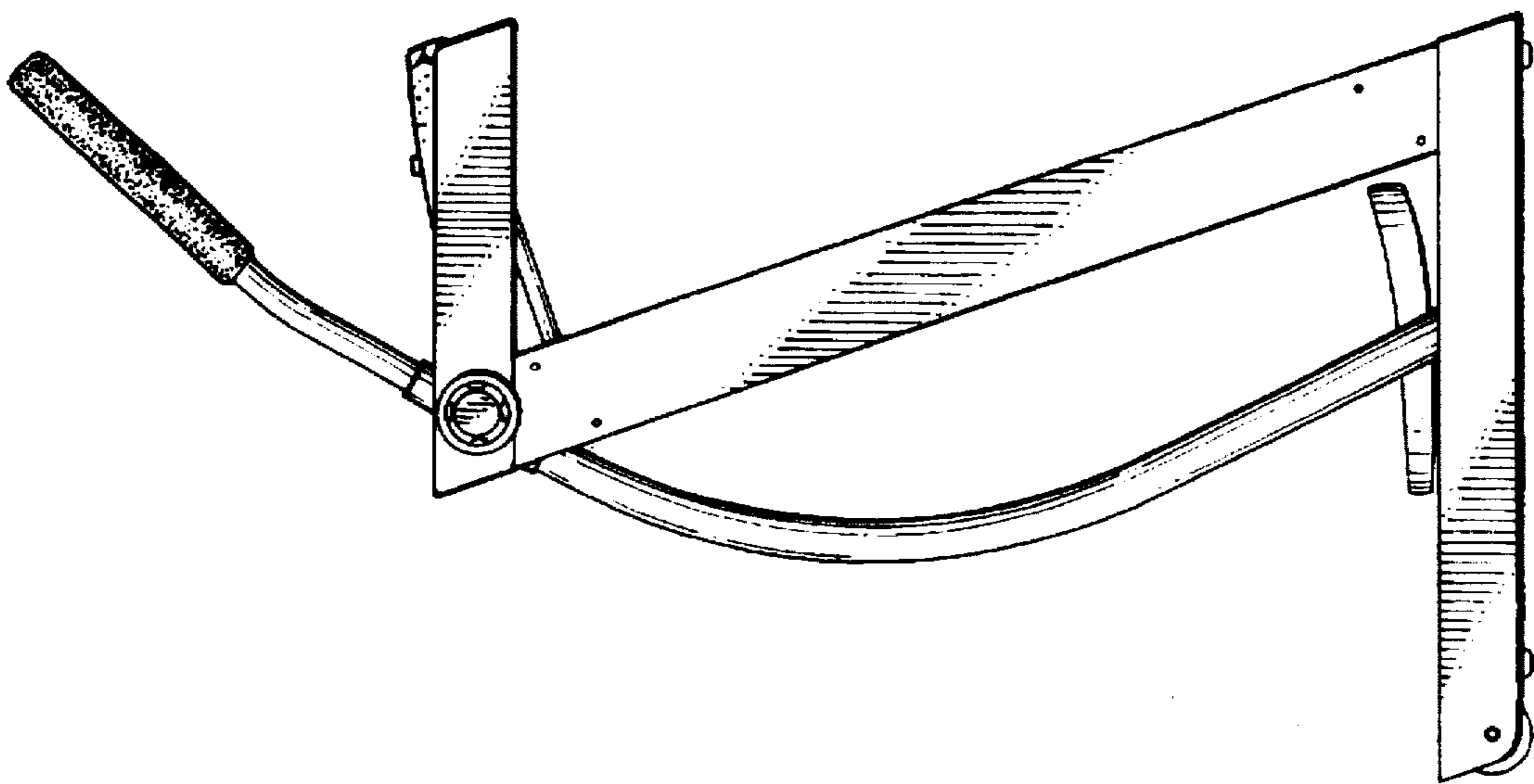


FIG. 4

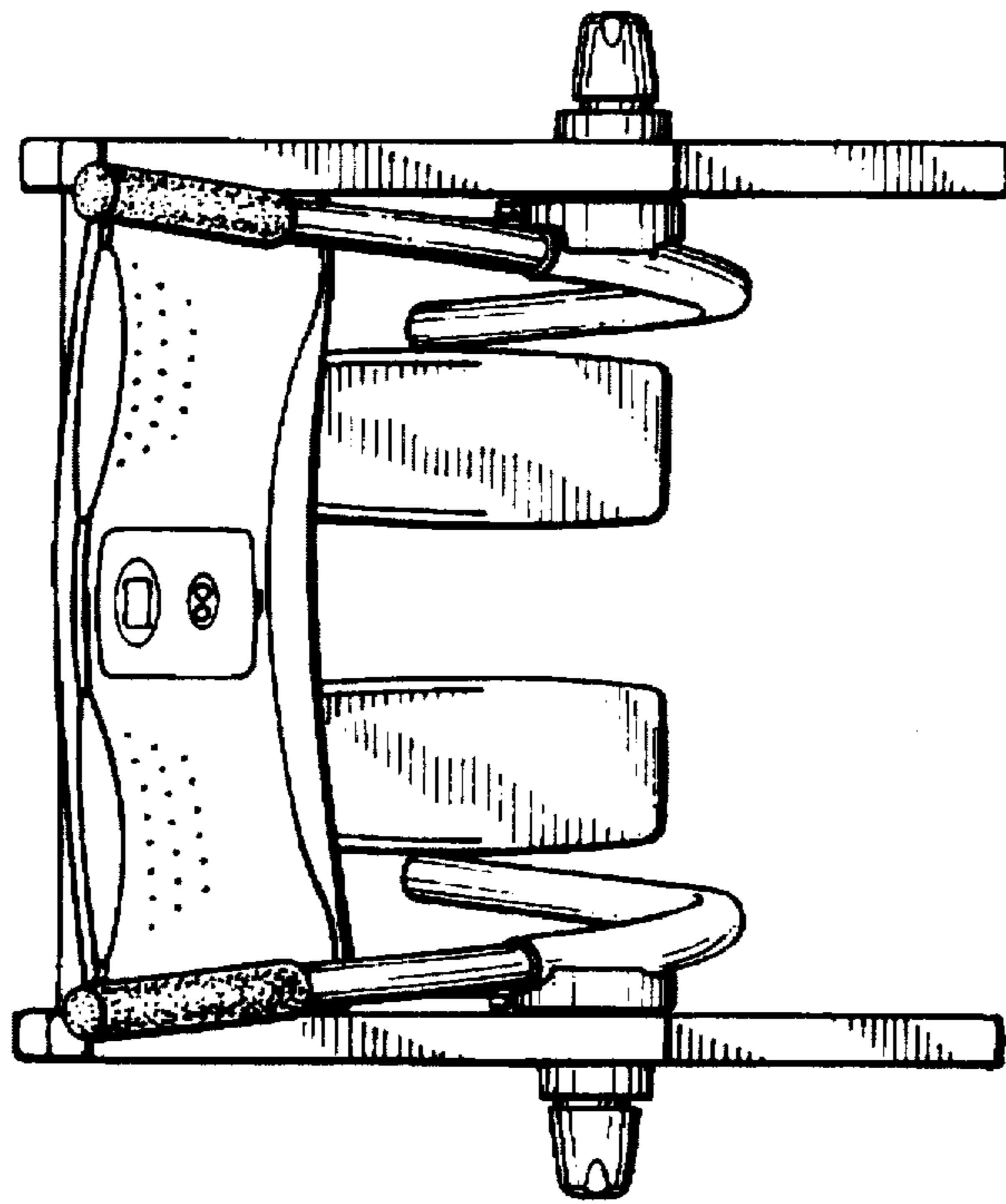


FIG. 6

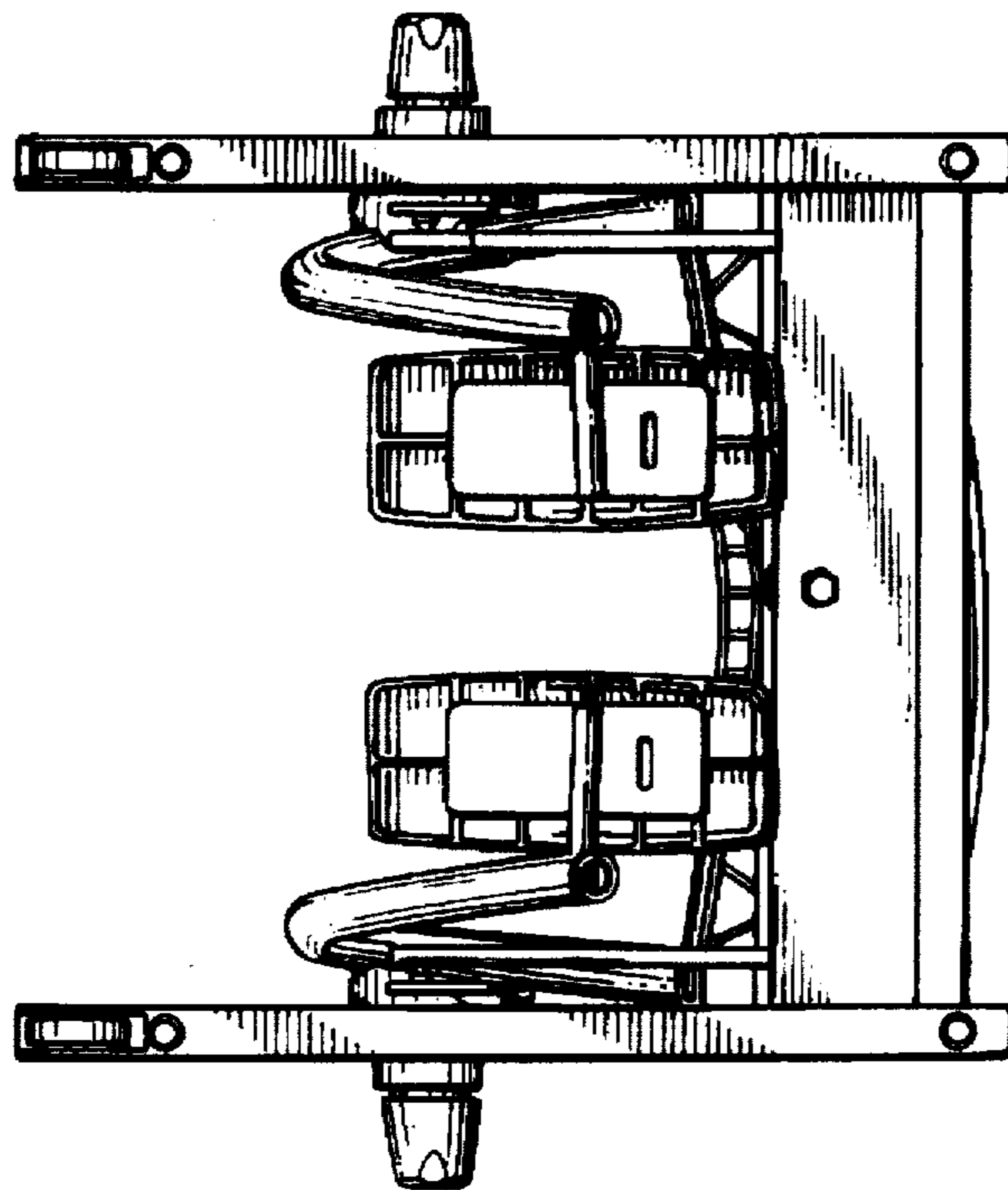


FIG. 7