

US00D392005S

United States Patent [19]

[11] Patent Number: Des. 392,005

Piaget

[45] Date of Patent: **Mar. 10, 1998

[54] STRIDING EXERCISE DEVICE
[76] Inventor: Gary D. Piaget, 3390 American Saddle Dr., Park City, Utah 84060

5,496,235 3/1996 Stevens 482/52
5,575,740 11/1996 Piaget et al. 482/70
5,584,780 12/1996 Lin 482/52
5,584,781 12/1996 Chen 482/52
5,603,675 2/1997 Wu 482/52
5,605,521 2/1997 Hsieh 482/52
5,643,140 7/1997 Tsai 482/52
5,643,141 7/1997 Lee 482/52

[**] Term: 14 Years

[21] Appl. No.: 66,471

[22] Filed: Feb. 13, 1997

Primary Examiner—Philip S. Hyder
Attorney, Agent, or Firm—Salter & Michaelson

[51] LOC (6) Cl. 21-02

[52] U.S. Cl. D21/191

[58] Field of Search 482/51, 52, 68,
482/71, 54, 53, 148; D21/191, 192, 193,
194, 195

[57] CLAIM

The ornamental design for a striding exercise device, as shown.

DESCRIPTION

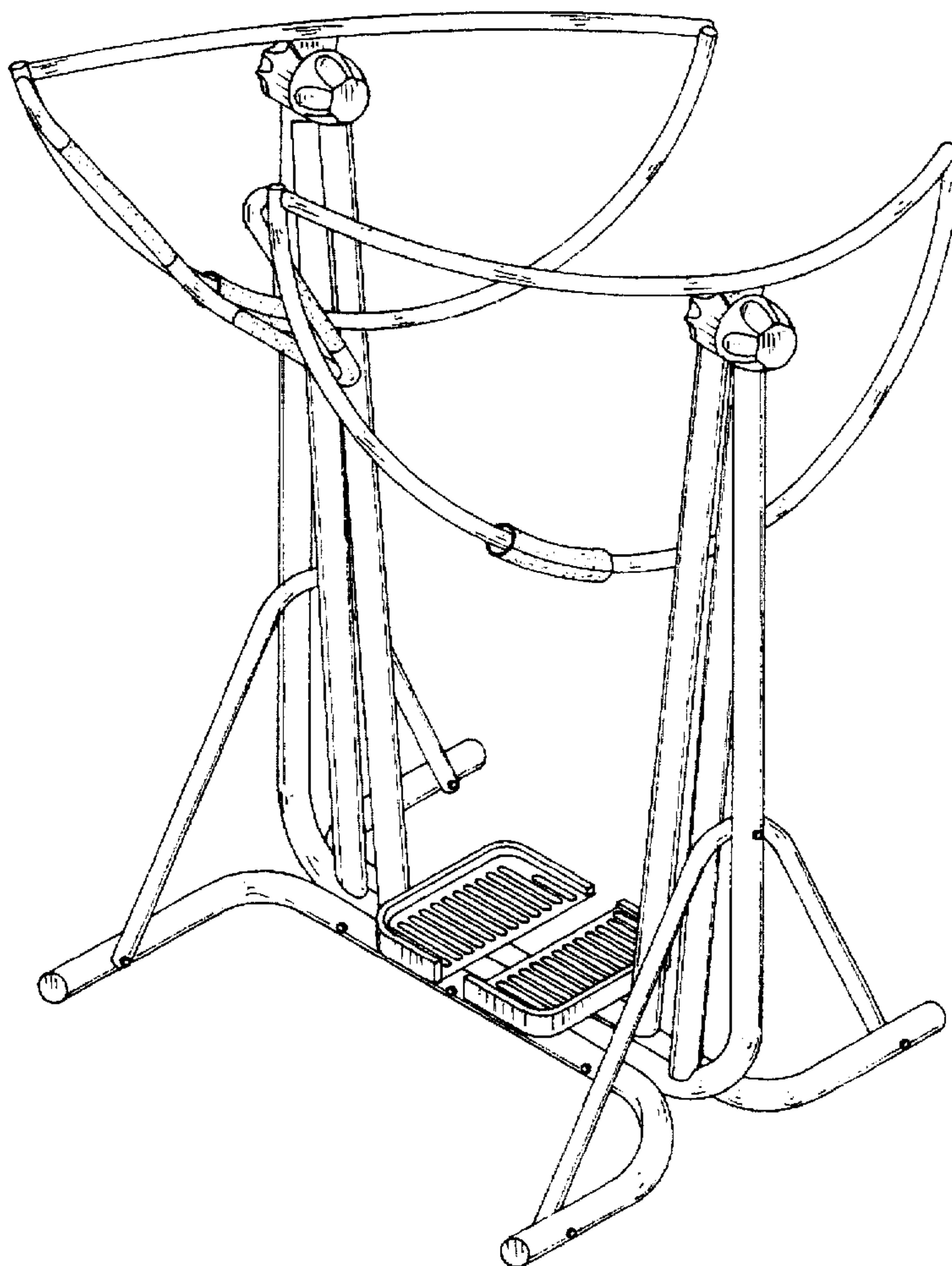
[56] References Cited

U.S. PATENT DOCUMENTS

D. 378,841 4/1997 Huang D21/191
4,529,194 7/1985 Haasheim .
4,632,385 12/1986 Geraci .
5,000,443 3/1991 Dalebout et al. .
5,147,257 9/1992 Loane 482/71
5,232,423 8/1993 Hajduczek 482/68
5,336,141 8/1994 Vittone 482/51
5,419,747 5/1995 Piaget et al. 482/51

FIG. 1 is a perspective view showing my new design for a striding exercise device;
FIG. 2 is a right side view thereof;
FIG. 3 is a left side view thereof;
FIG. 4 is a front view thereof;
FIG. 5 is a rear view thereof;
FIG. 6 is a top view thereof; and,
FIG. 7 is a bottom view thereof.

1 Claim, 4 Drawing Sheets



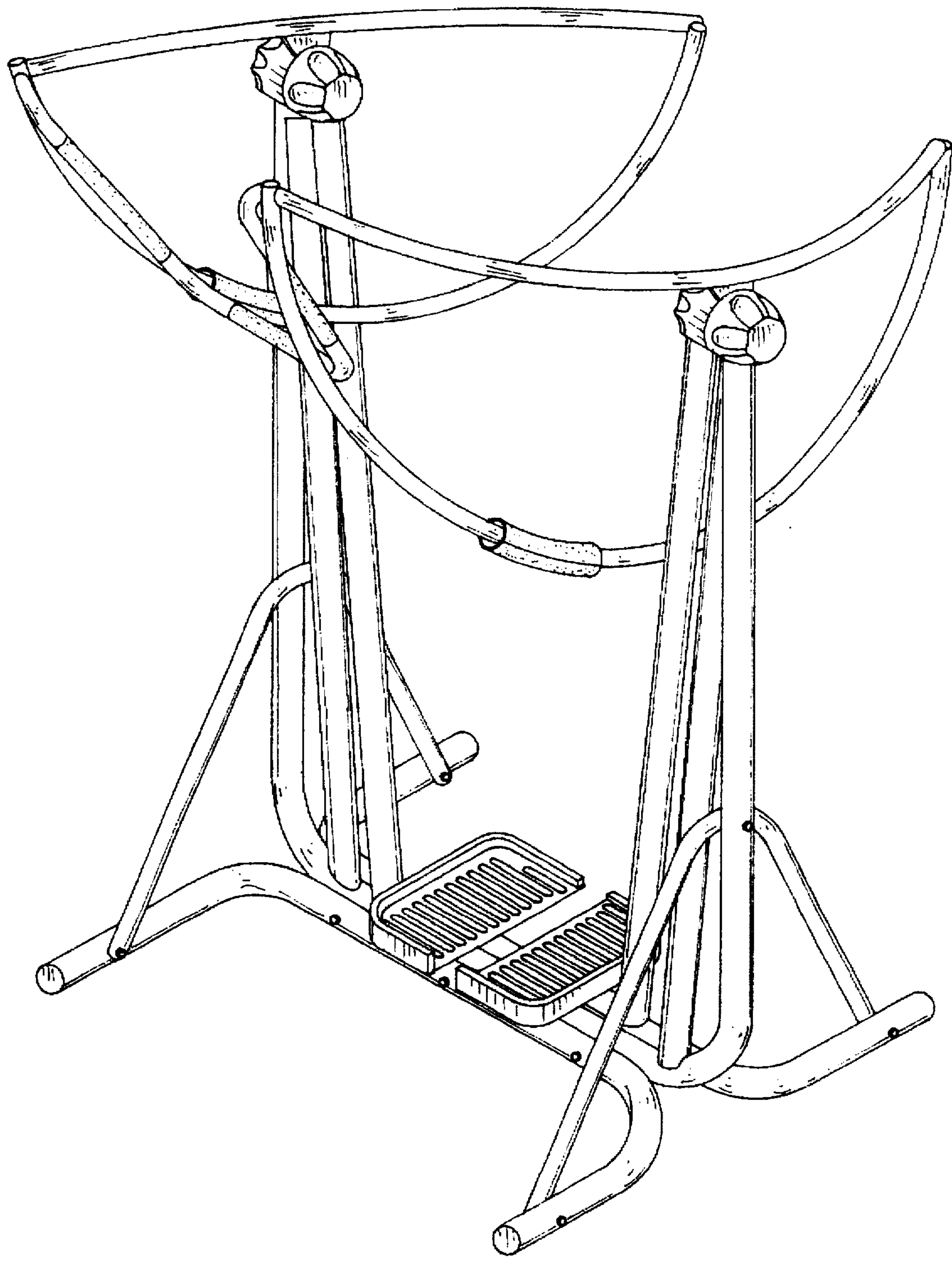


FIG. 1

FIG. 2

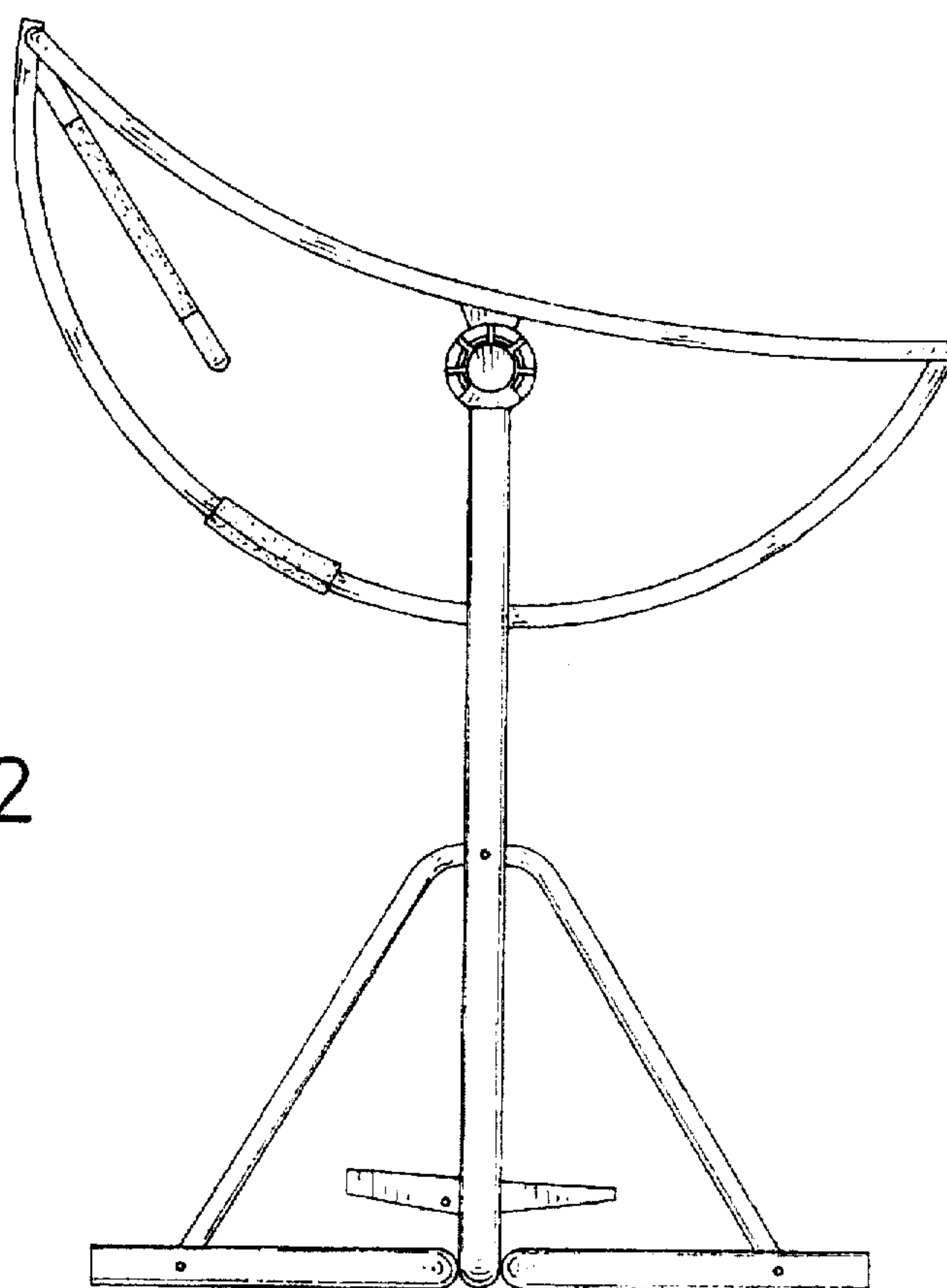


FIG. 3

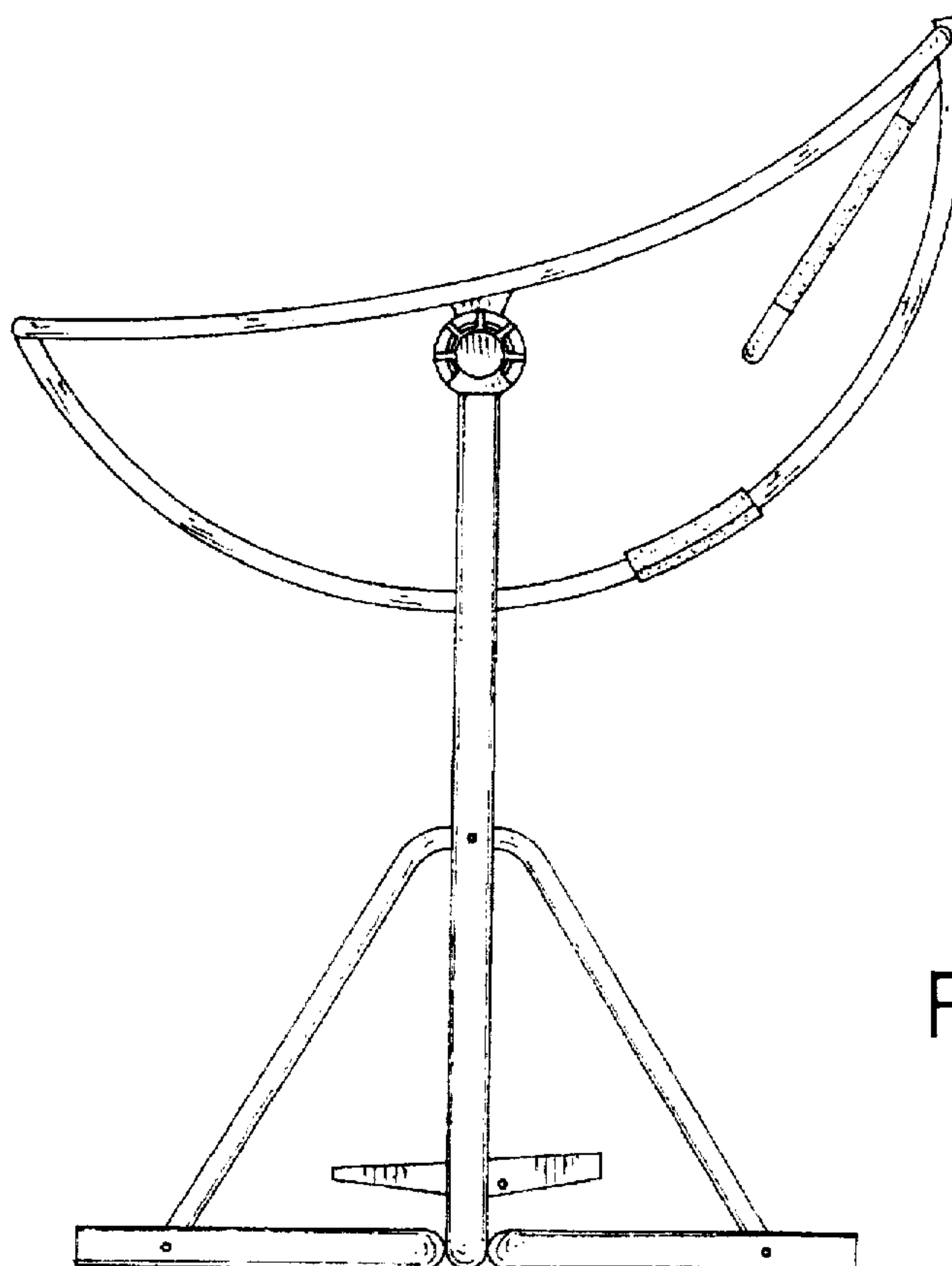


FIG. 4

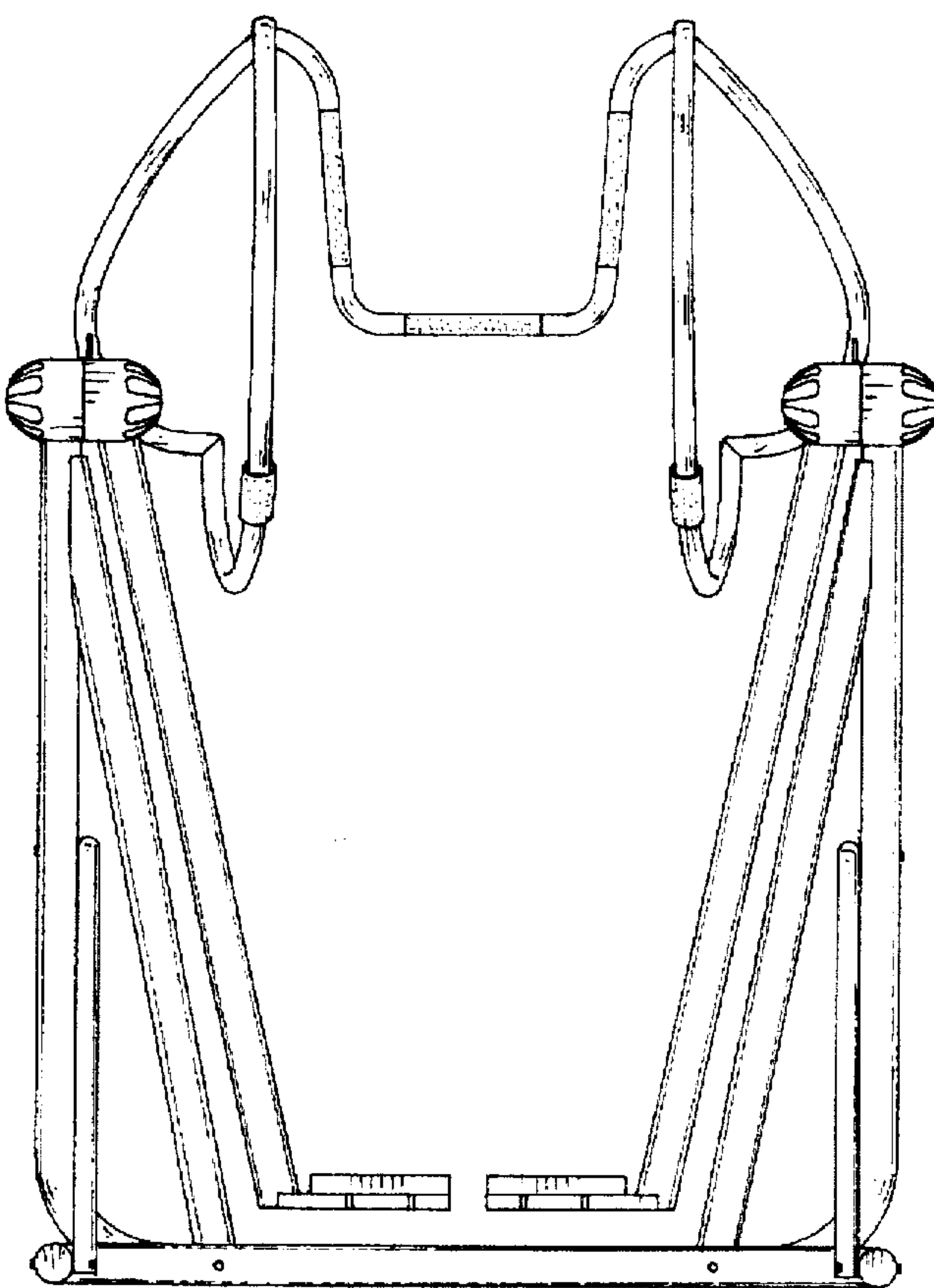
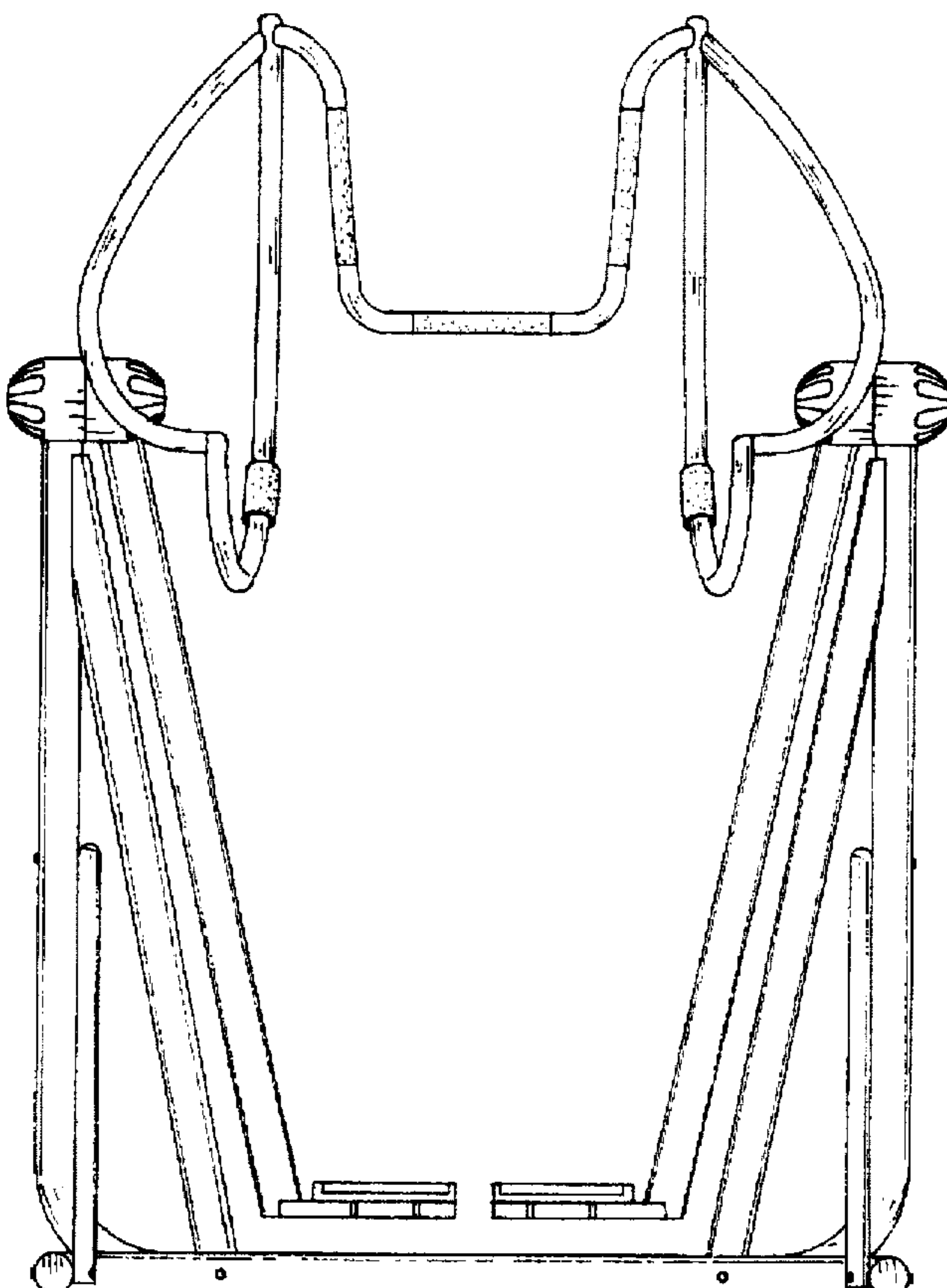


FIG. 5



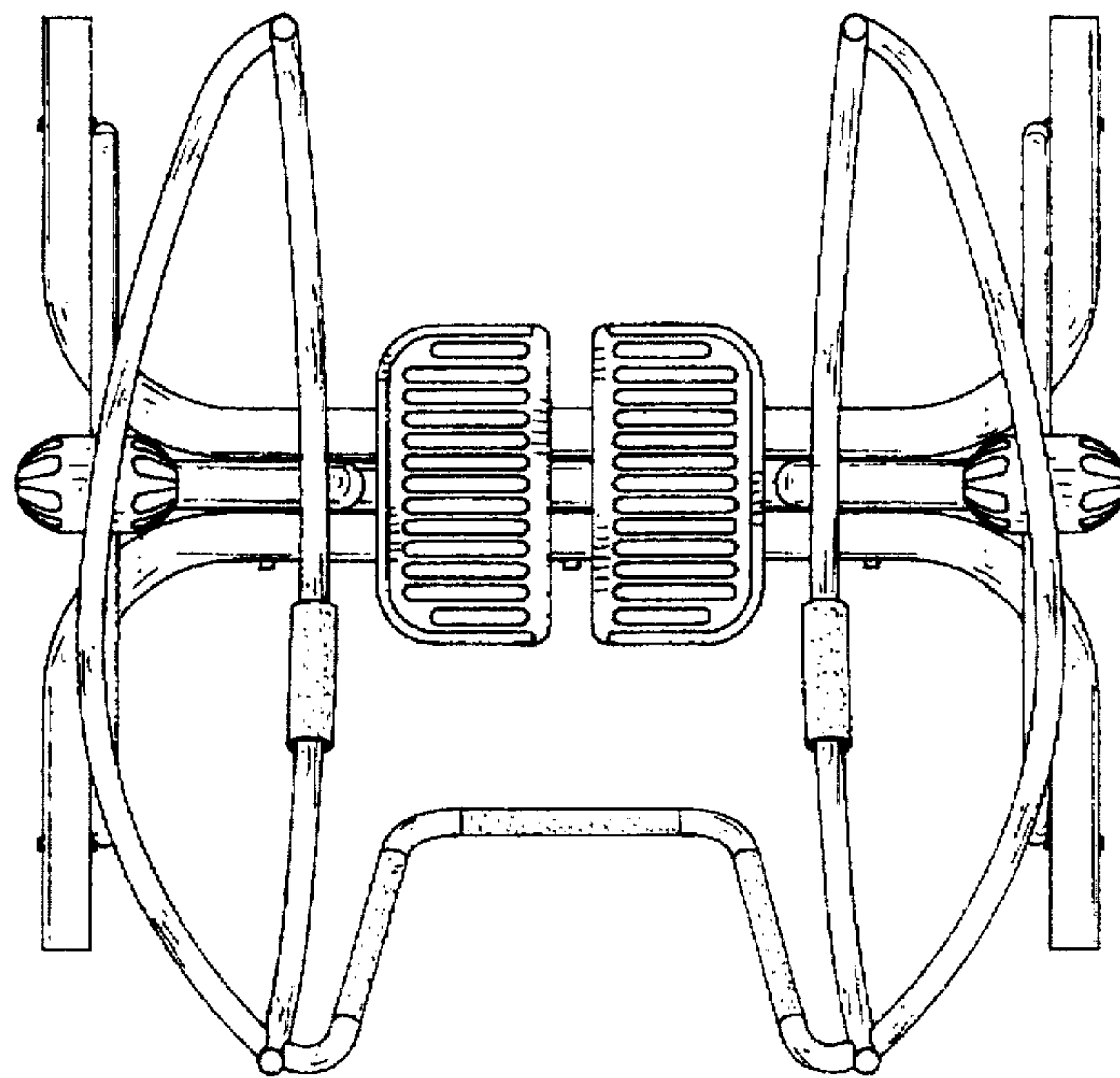


FIG. 6

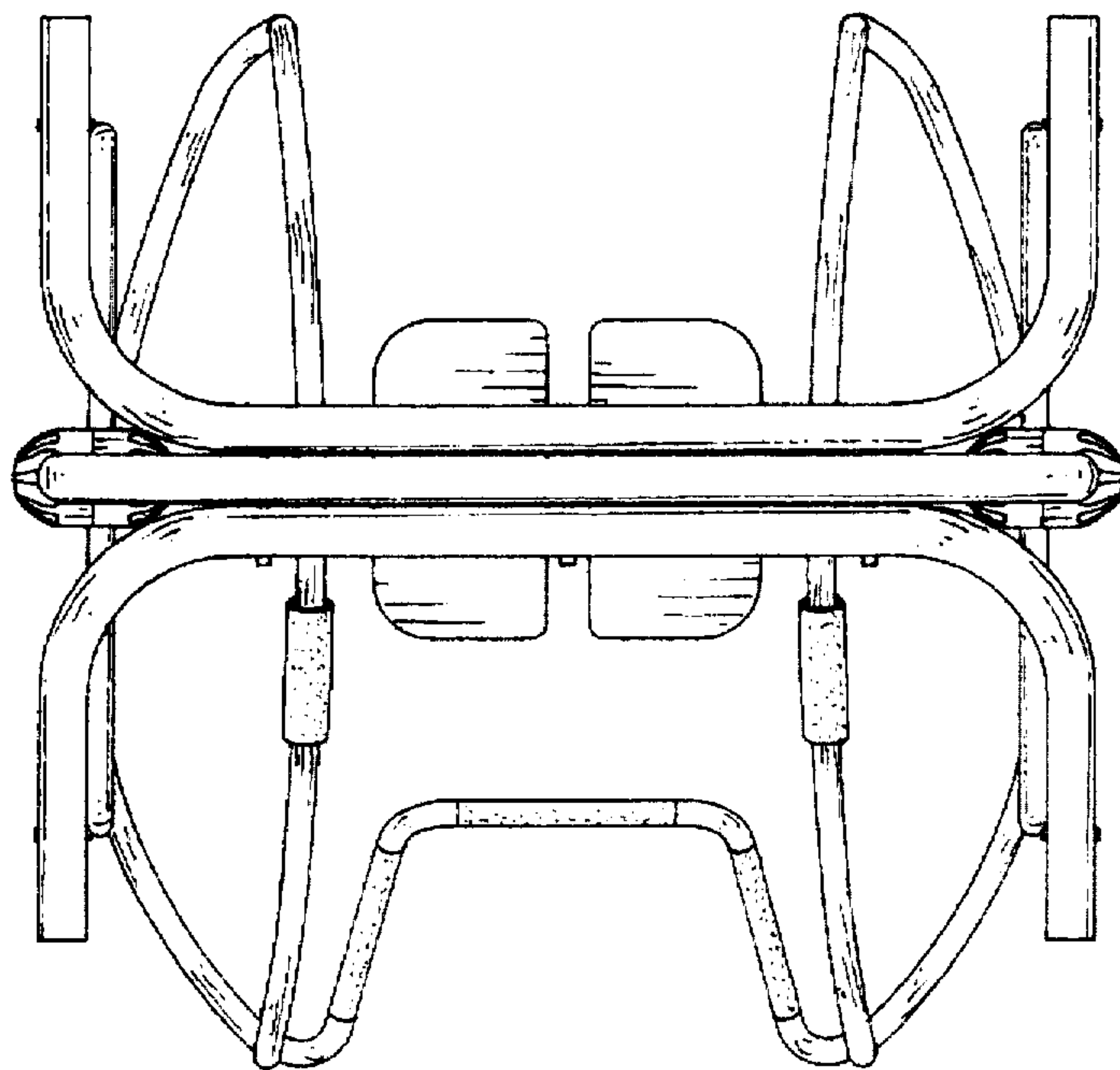


FIG. 7