



US00D392001S

United States Patent [19]
Chen

[11] **Patent Number: Des. 392,001**

[45] **Date of Patent: **Mar. 10, 1998**

[54] **FRAME OF SCOOTER**

[75] **Inventor: Ting-Hsing Chen, Tainan Hsien, Taiwan**

[73] **Assignee: Far Great Plastics Industrial Co., Ltd., Tainan Hsien, Taiwan**

[**] **Term: 14 Years**

[21] **Appl. No.: 65,473**

[22] **Filed: Dec. 23, 1996**

[51] **LOC (6) Cl. 21-01**

[52] **U.S. Cl. D21/81; D12/111; D12/117**

[58] **Field of Search D21/81, 71; D12/110, D12/111, 117; 280/87.021, 87.041, 87.042, 87.043**

[56] **References Cited**

U.S. PATENT DOCUMENTS

- D. 292,221 10/1987 Mueller D21/81
- D. 293,340 12/1987 Heilig D21/81

- D. 312,485 11/1990 Turner D21/81
- 4,941,670 7/1990 Parr D21/81

Primary Examiner—Melody N. Brown
Attorney, Agent, or Firm—Morton J. Rosenberg; David I. Klein; Jun Y. Lee

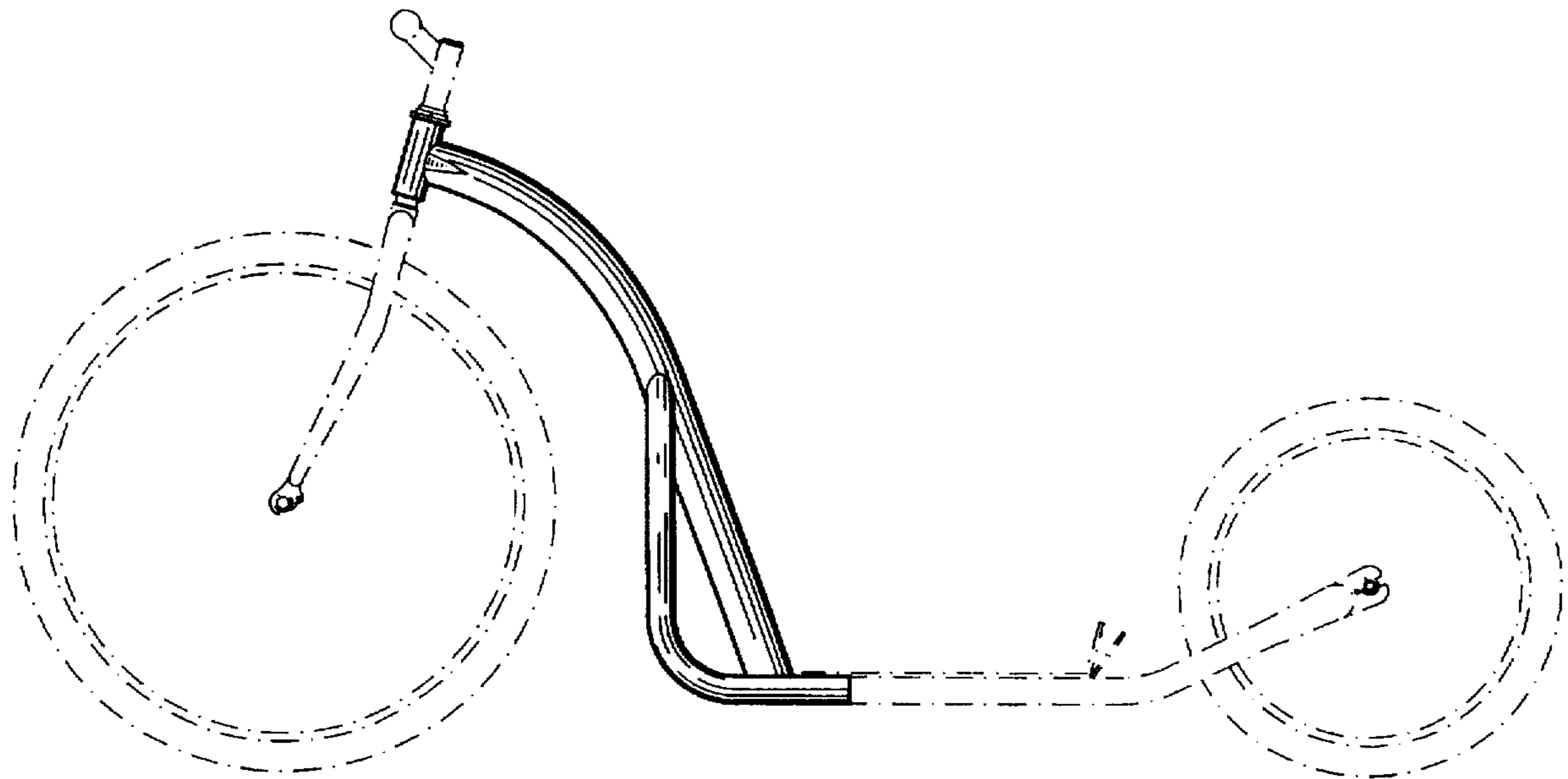
[57] **CLAIM**

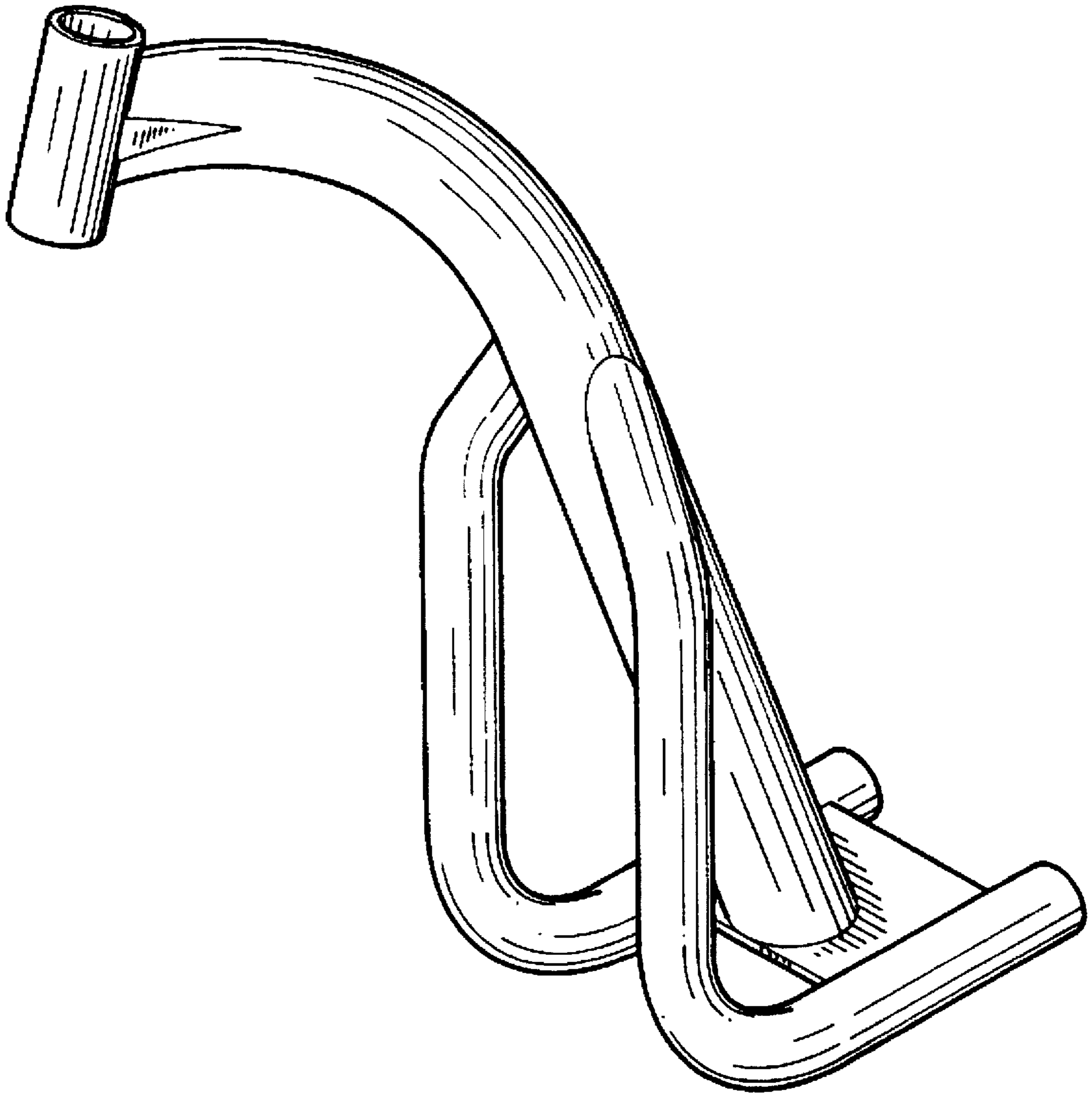
The ornamental design for a frame of scooter, as shown and described.

DESCRIPTION

FIG. 1 is a perspective view of a frame of scooter showing my present design;
FIG. 2 is a front view thereof;
FIG. 3 is a rear view thereof;
FIG. 4 is a left view thereof;
FIG. 5 is a right view thereof;
FIG. 6 is a top plan view thereof;
FIG. 7 is a bottom plan view; and,
FIG. 8 is a side elevation view thereof, the broken lines are shown for illustrative purposes only and form no part of the claimed design.

1 Claim, 6 Drawing Sheets





F I G. 1

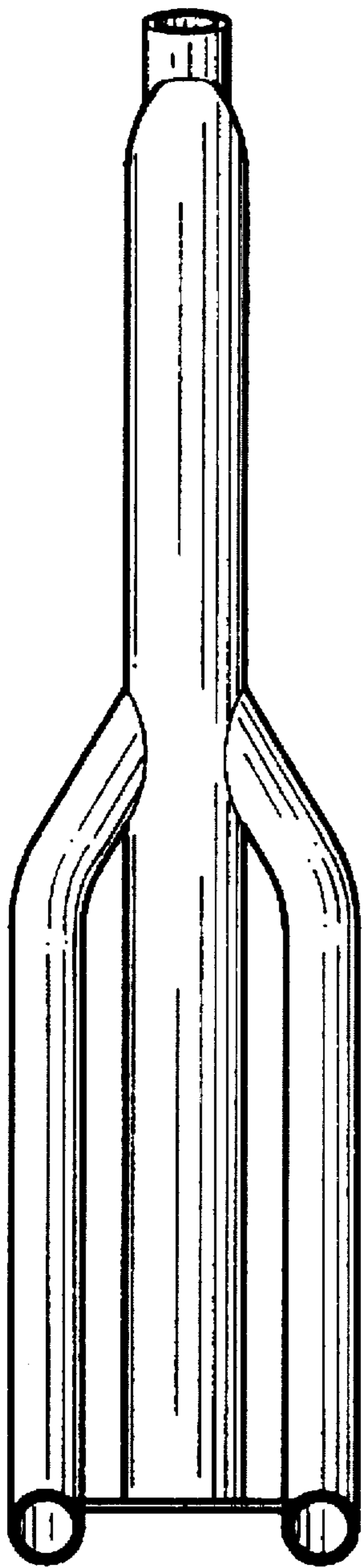


FIG. 3

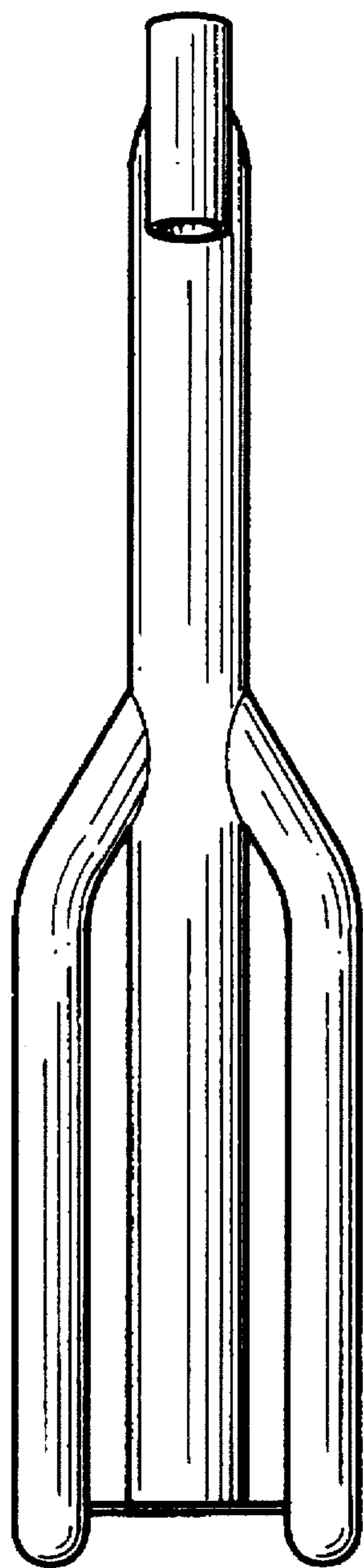
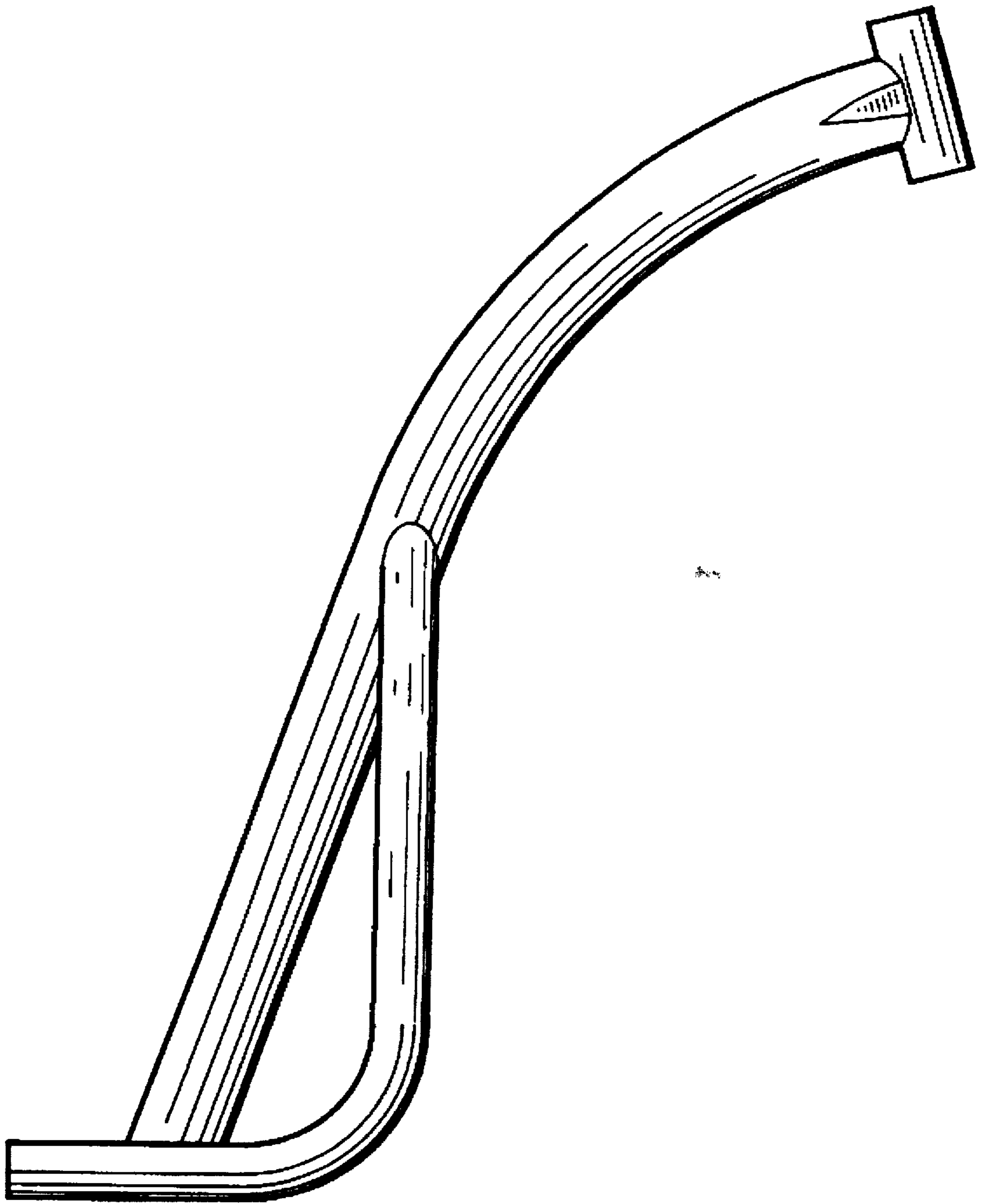
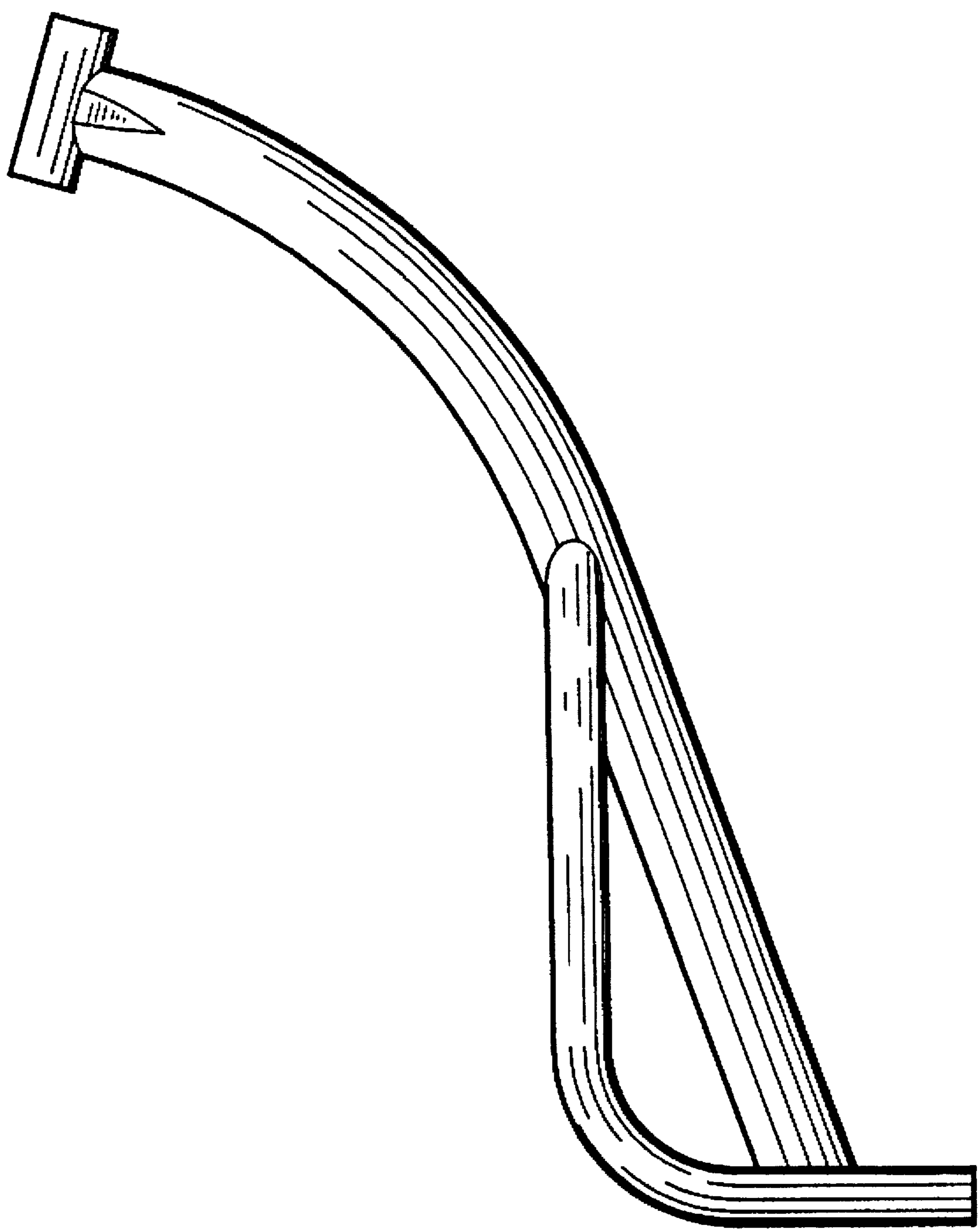


FIG. 2



F I G. 4



F I G. 5

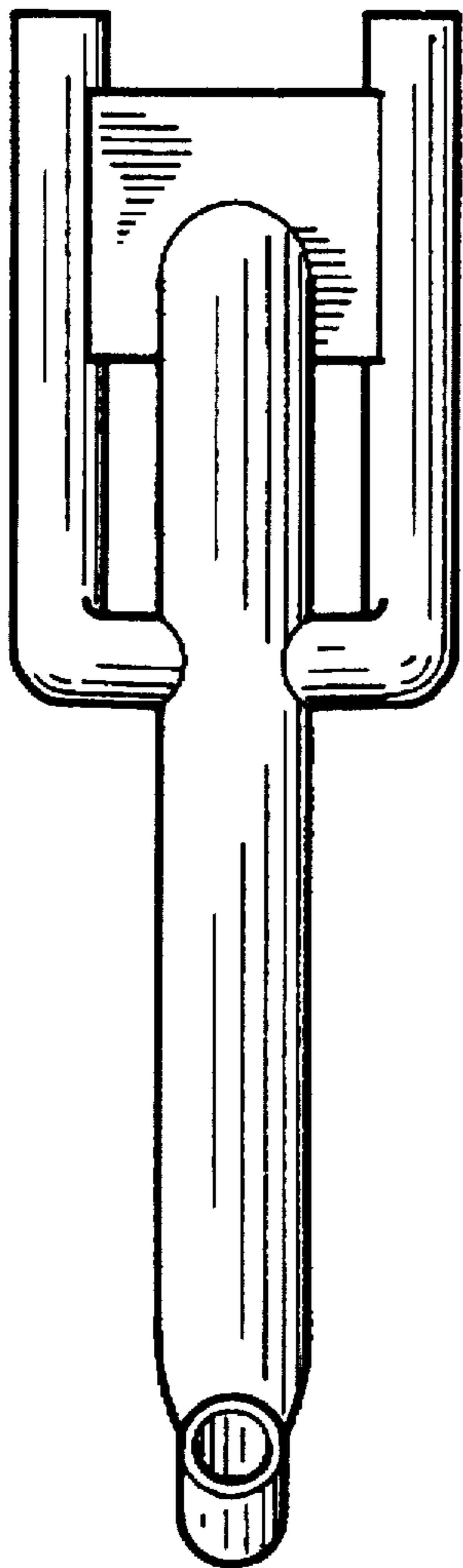


FIG. 6

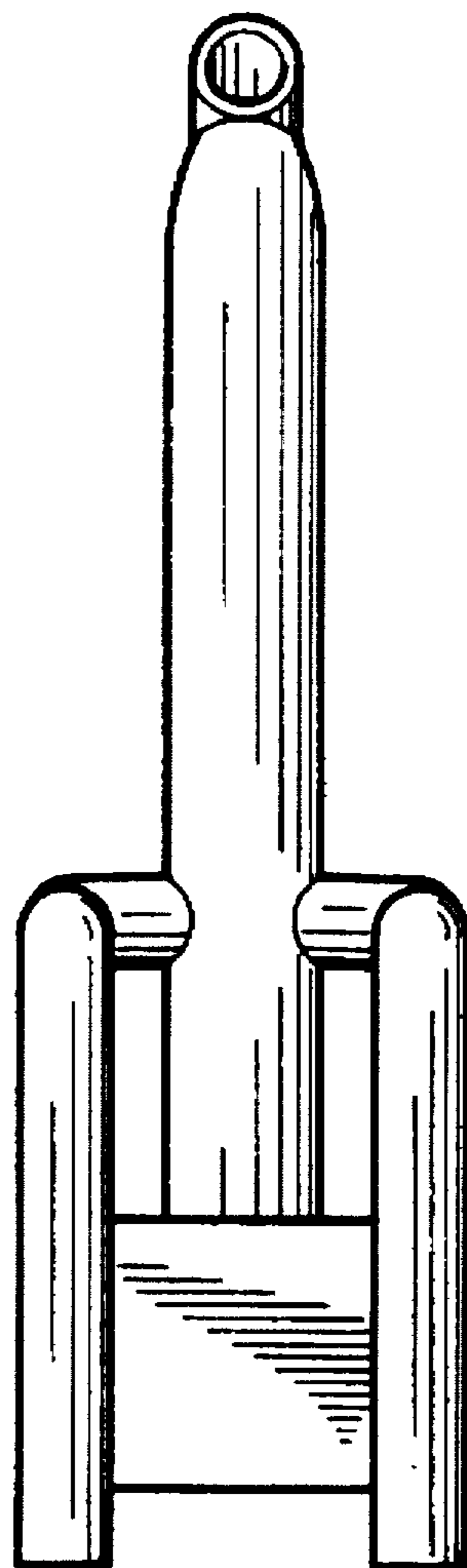
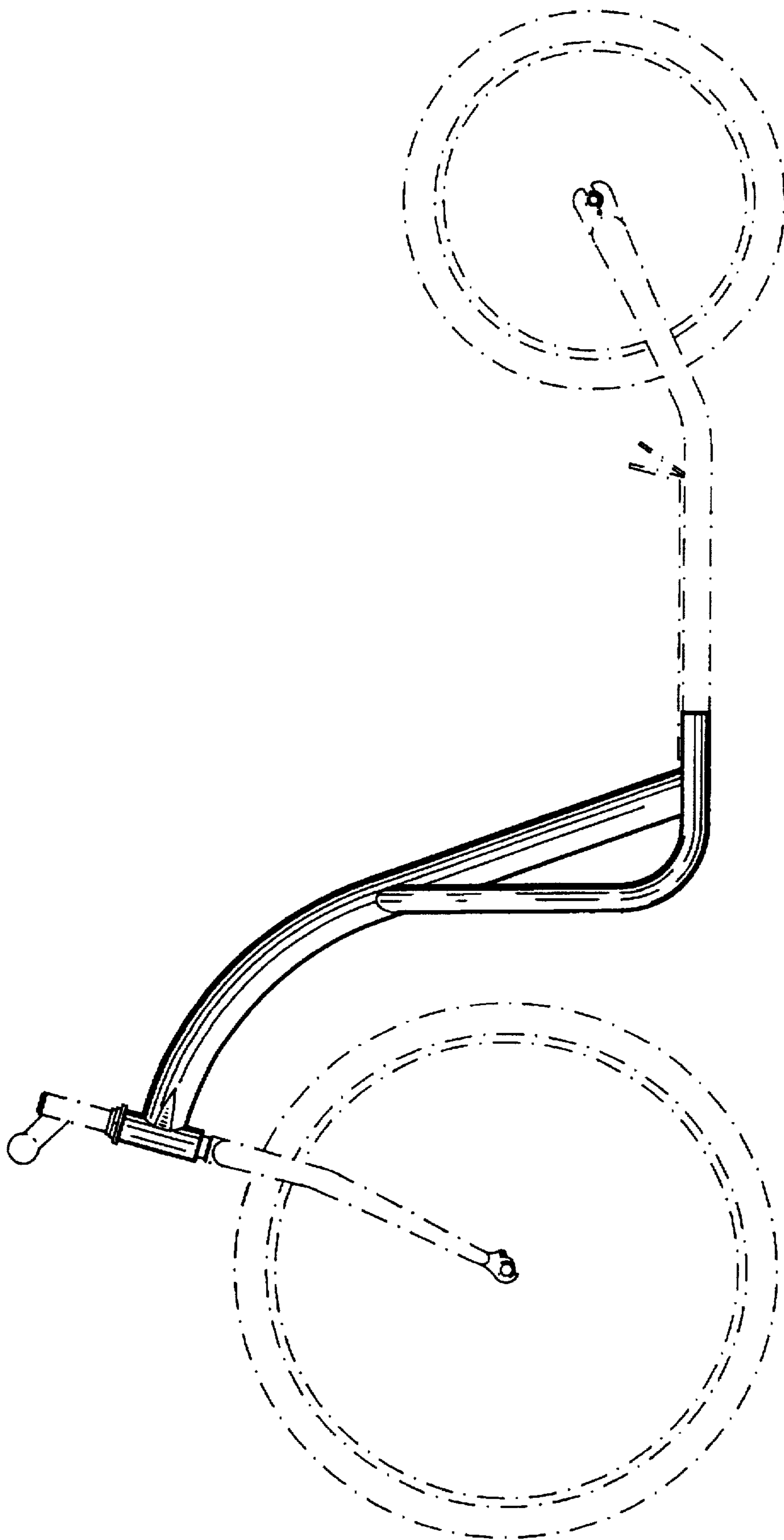


FIG. 7



F I G. 8