

US00D391994S

United States Patent [19]

Hanscom et al.

[11] Patent Number: Des. 391,994

[45] Date of Patent: **Mar. 10, 1998

[54] VIDEO ROULETTE TABLE

[75] Inventors: **Cory J. Hanscom**, New Hope; **Barry W. Fentz**, Plymouth, both of Minn.

[73] Assignee: **Innovative Gaming Corporation of America**, Reno, Nev.

[**] Term: 14 Years

[21] Appl. No.: 59,403

[22] Filed: Sep. 10, 1996

D. 364,650 11/1995 Hanscom D21/37
 D. 371,579 7/1996 Hanscom D21/37
 3,940,138 2/1976 Ochi 273/86 B
 4,614,342 9/1986 Takashima 273/83 CP
 4,836,553 6/1989 Suttle et al. 273/292
 5,098,107 3/1992 Boylan et al. 273/292
 5,263,715 11/1993 Matsumoto et al. 273/138 A
 5,497,461 3/1996 Matsumoto et al. 395/185.04

Primary Examiner—Ted Shooman
Assistant Examiner—Mitchell I. Siegel
Attorney, Agent, or Firm—Merchant, Gould, Smith, Edell, Welter & Schmidt

Related U.S. Application Data

[63] Continuation of Ser. No. 49,821, Jan. 31, 1996, abandoned.

[51] LOC (6) Cl. 21-02

[52] U.S. Cl. D21/37

[58] Field of Search D21/37; 273/85 CP, 273/138 A, 139, 144 A, 144 B

[57] CLAIM

The ornamental design for video roulette table, as shown and described.

DESCRIPTION

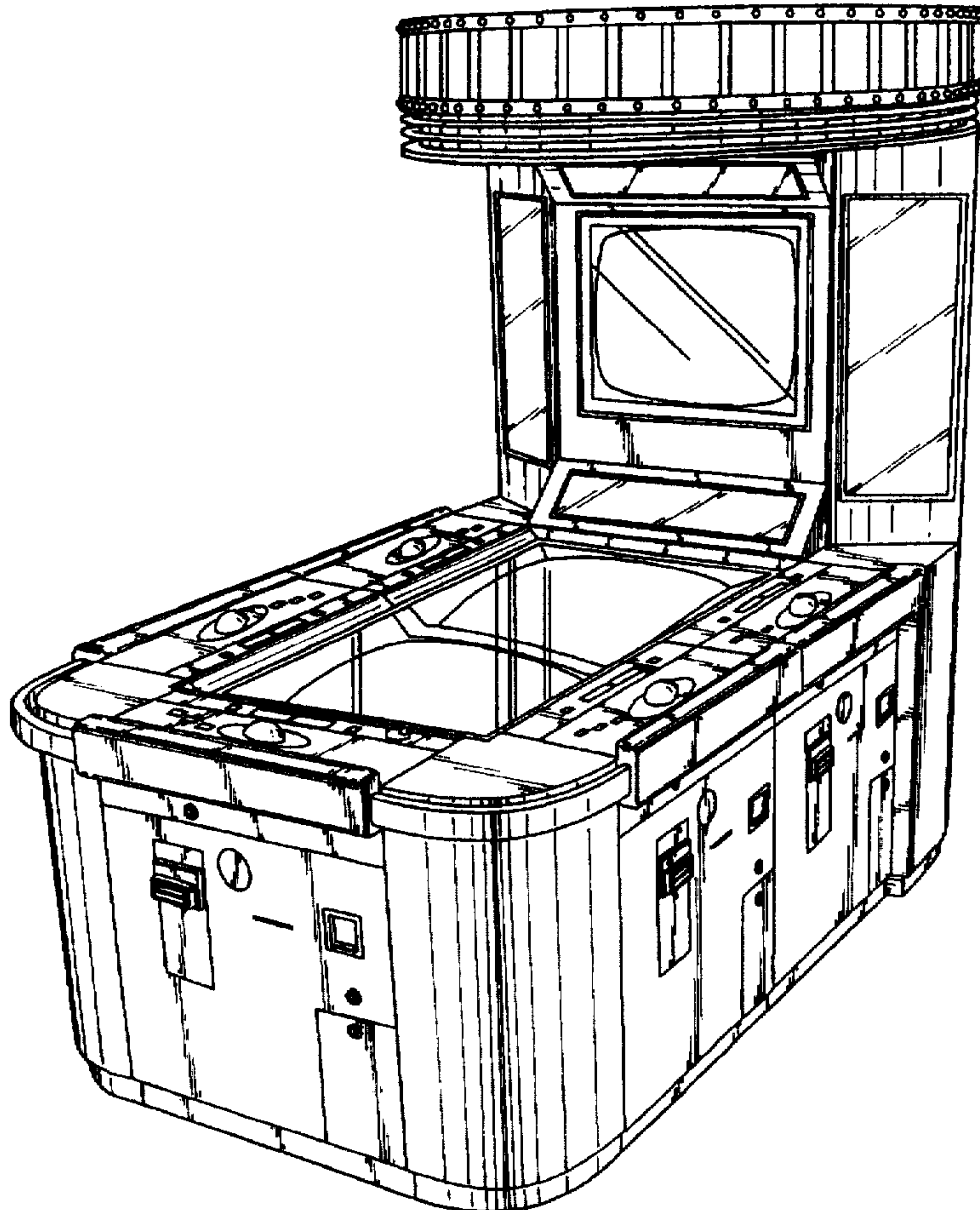
FIG. 1 is a perspective view of the video roulette table; FIG. 2 is a front elevation view of the invention of FIG. 1 with the rear elevation view being a mirror image thereof; FIG. 3 is a top plan view of the invention of FIG. 1; FIG. 4 is a side elevation view of the invention shown in FIG. 1; and, FIG. 5 is the opposing side elevation view of the invention shown in FIG. 1.

[56] References Cited

U.S. PATENT DOCUMENTS

D. 251,395 3/1979 Kula D21/37
 D. 261,782 11/1981 Muir D21/37
 D. 276,630 12/1984 Gimbel D21/37
 D. 312,666 12/1990 Lempke et al. D21/37

1 Claim, 4 Drawing Sheets



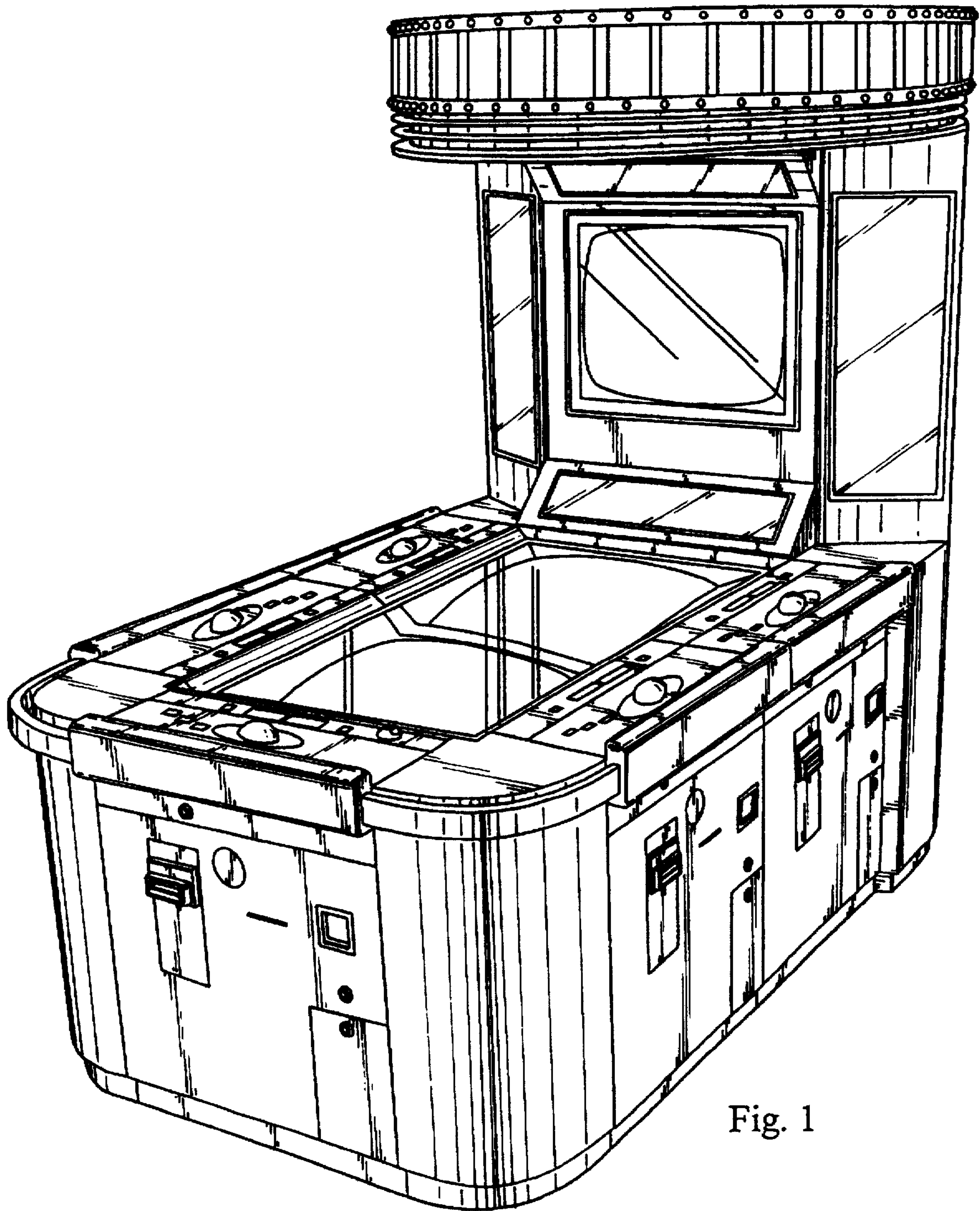


Fig. 1

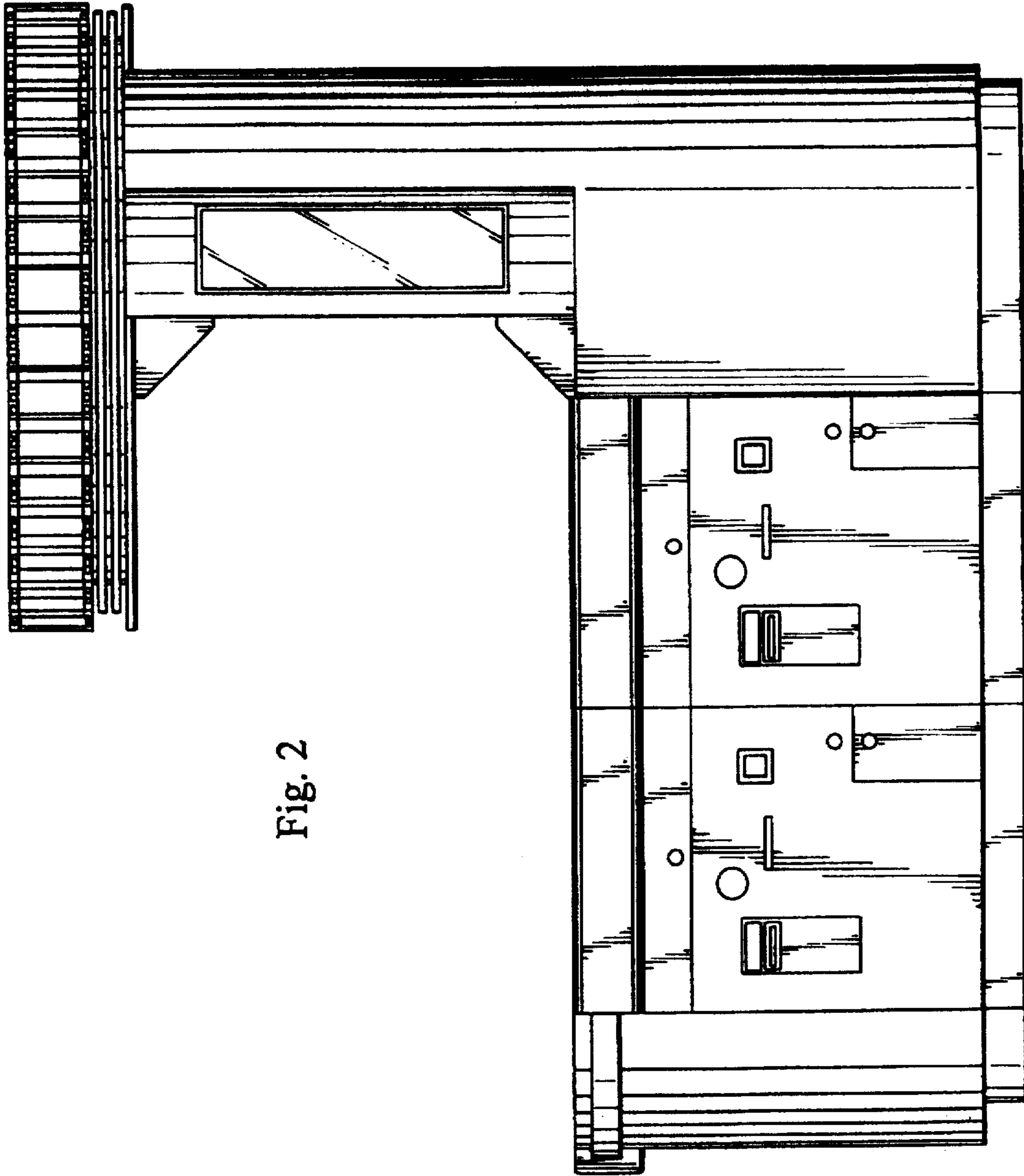


Fig. 2

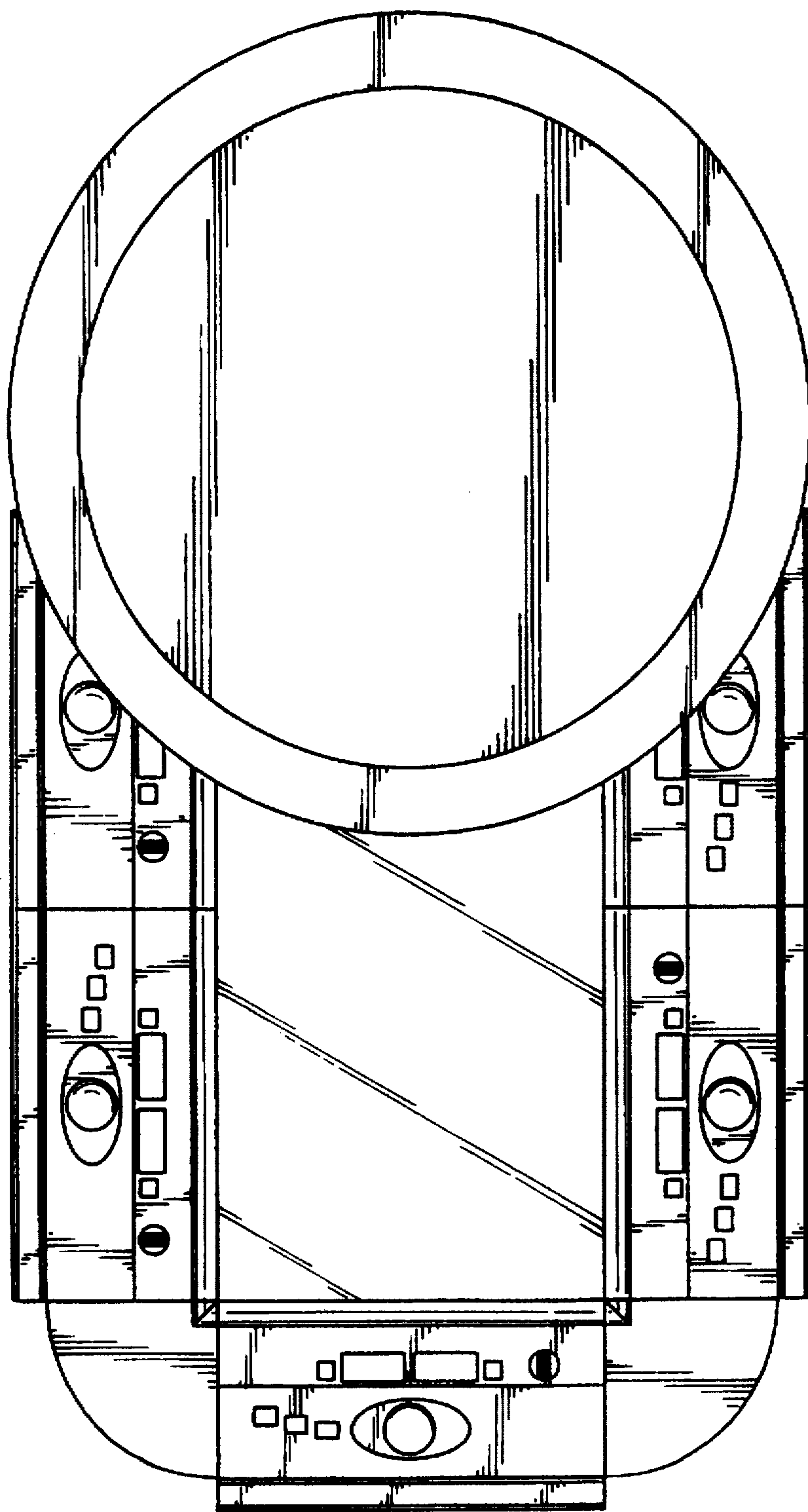


Fig. 3

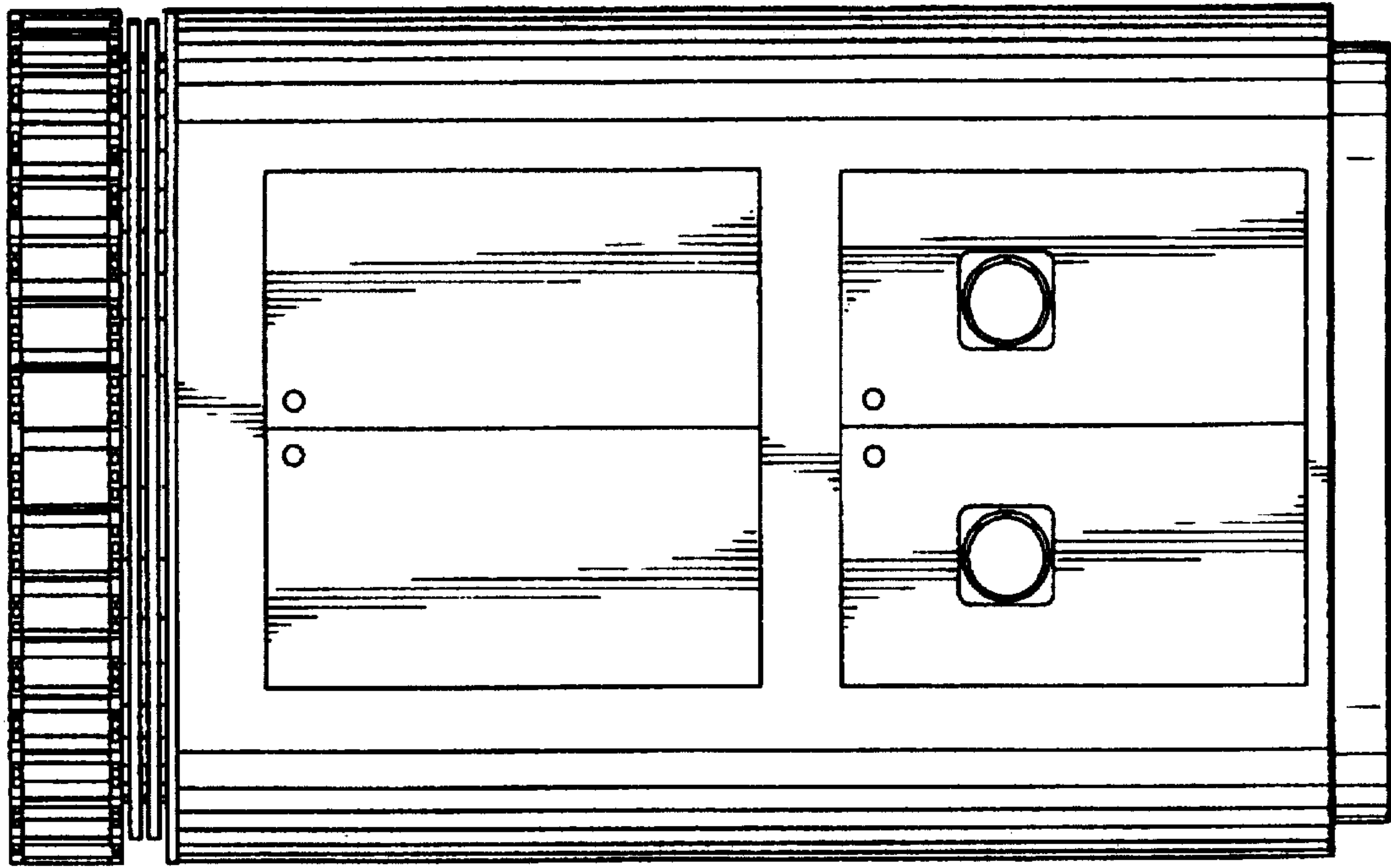


Fig. 5

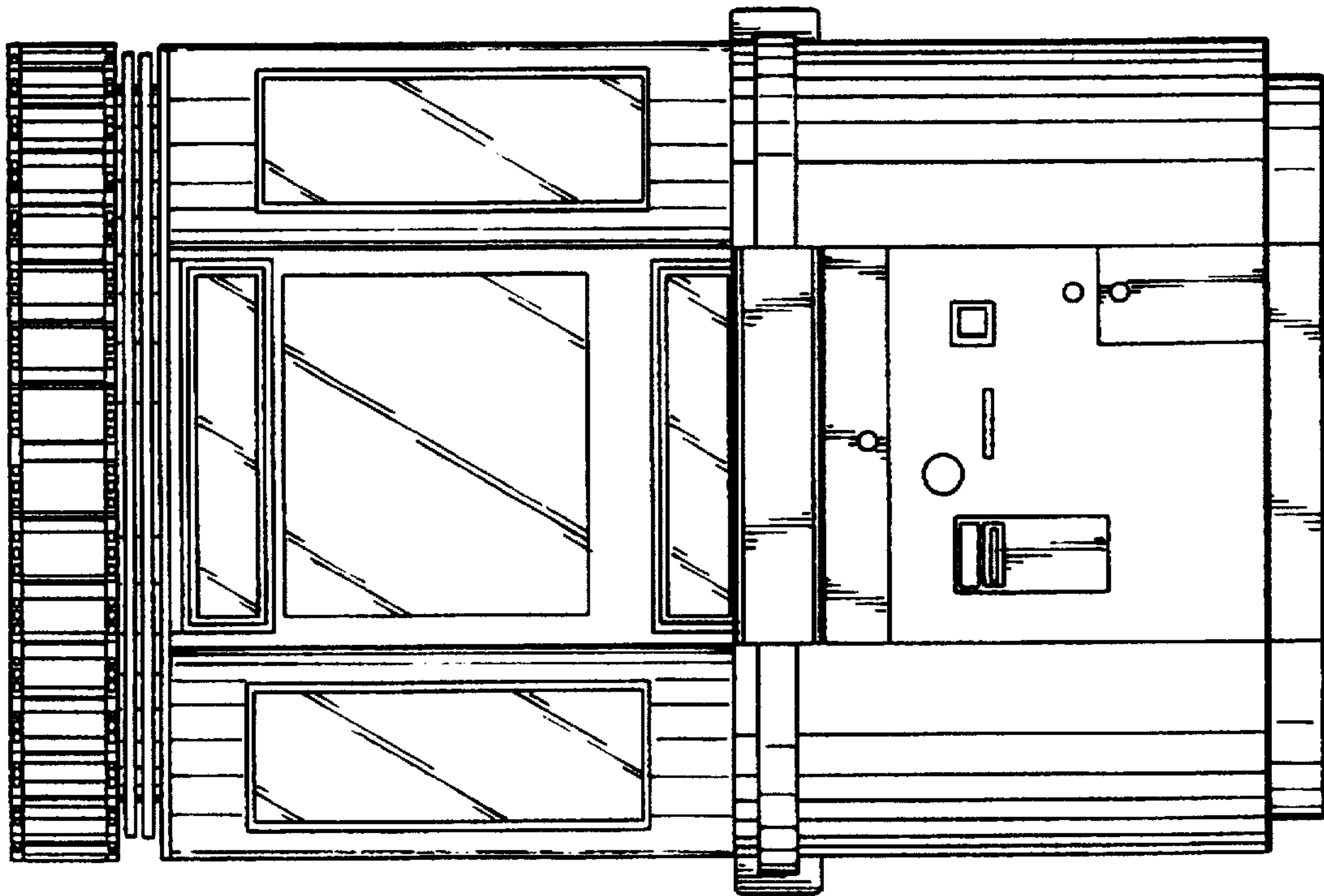


Fig. 4