



US00D391993S

United States Patent [19]
Raffa

[11] **Patent Number: Des. 391,993**
[45] **Date of Patent: **Mar. 10, 1998**

[54] **MEDICAL TAG**

[75] **Inventor: Gregory F. Raffa, New Hyde Park, N.Y.**

[73] **Assignee: Life Tags, Inc., New Hyde Park, N.Y.**

[**] **Term: 14 Years**

[21] **Appl. No.: 70,202**

[22] **Filed: May 2, 1997**

[51] **LOC (6) Cl. 19-08**

[52] **U.S. Cl. D20/23**

[58] **Field of Search D20/10, 22, 23, D20/36, 42, 40, 11; 40/299, 1.5, 1.6, 124.1; D11/95, 96, 97, 98; D99/27**

[56] **References Cited**

U.S. PATENT DOCUMENTS

- D. 319,474 8/1991 Steiner D20/22
- D. 346,828 5/1994 Hagen D20/22
- 2,199,148 4/1940 Blair 40/1.5 X

Primary Examiner—Susan J. Lucas
Assistant Examiner—Jennifer Register
Attorney, Agent, or Firm—Collard & Roe, P.C.

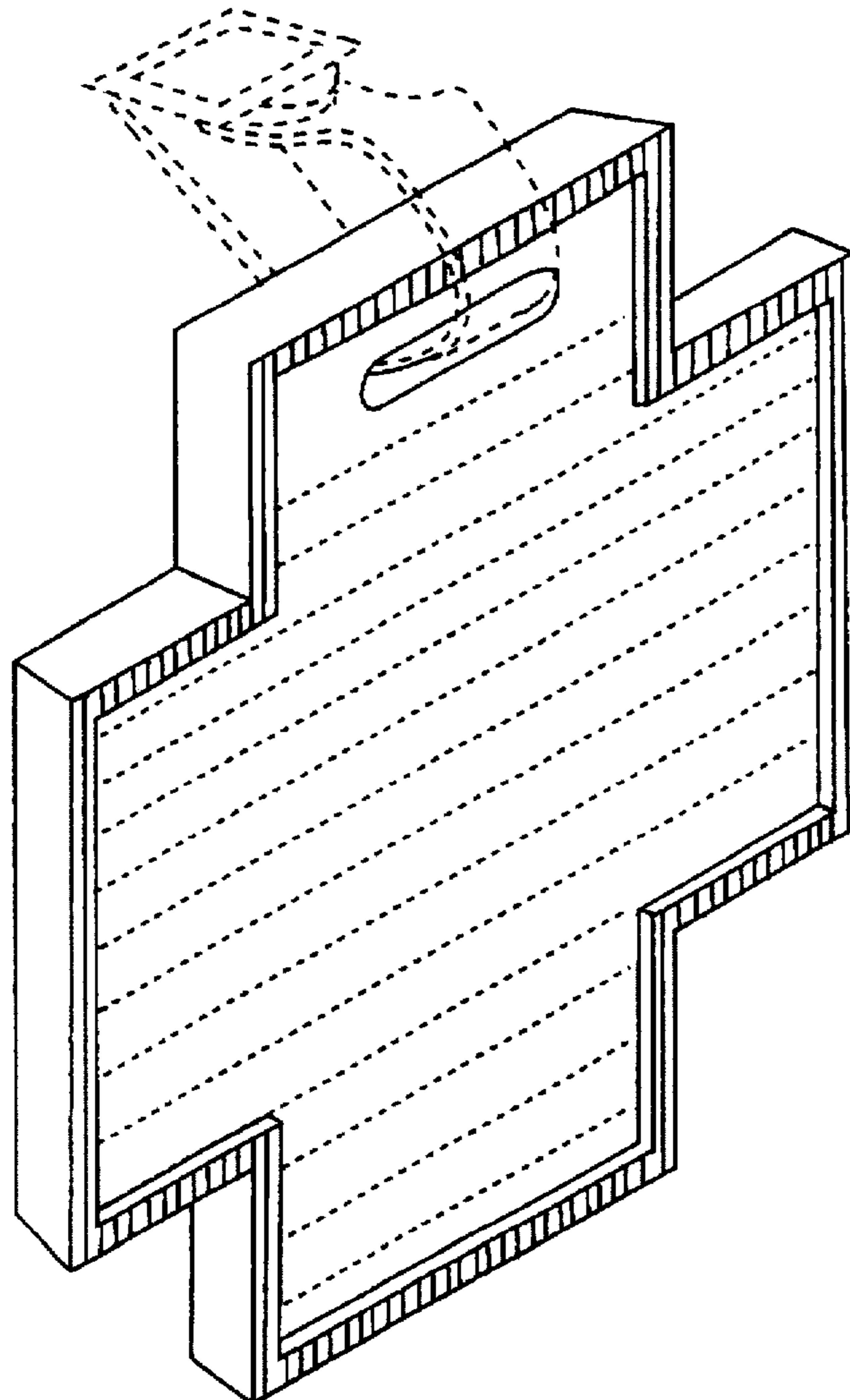
[57] **CLAIM**

The ornamental design for a medical tag, as shown and described.

DESCRIPTION

FIG. 1 is a perspective view of the medical tag showing my new design;
FIG. 2 is a front elevational view thereof;
FIG. 3 is a rear elevational view thereof;
FIG. 4 is a side view thereof the opposite side being a mirror image;
FIG. 5 is a top view thereof; and
FIG. 6 is a bottom view thereof.
The broken line disclosure of a strap is shown for illustrative purposes only and forms no part of the claimed design.

1 Claim, 2 Drawing Sheets



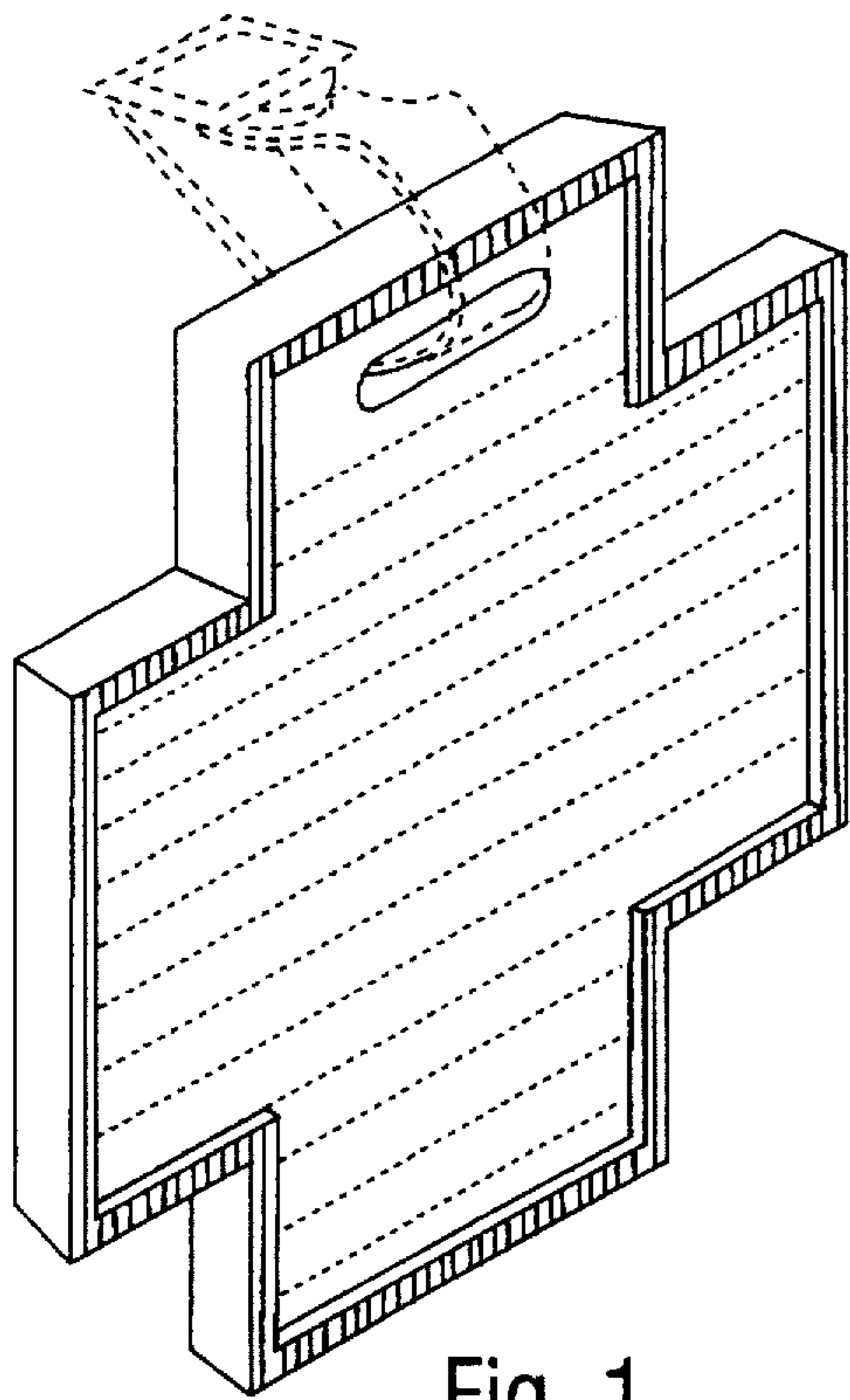


Fig. 1

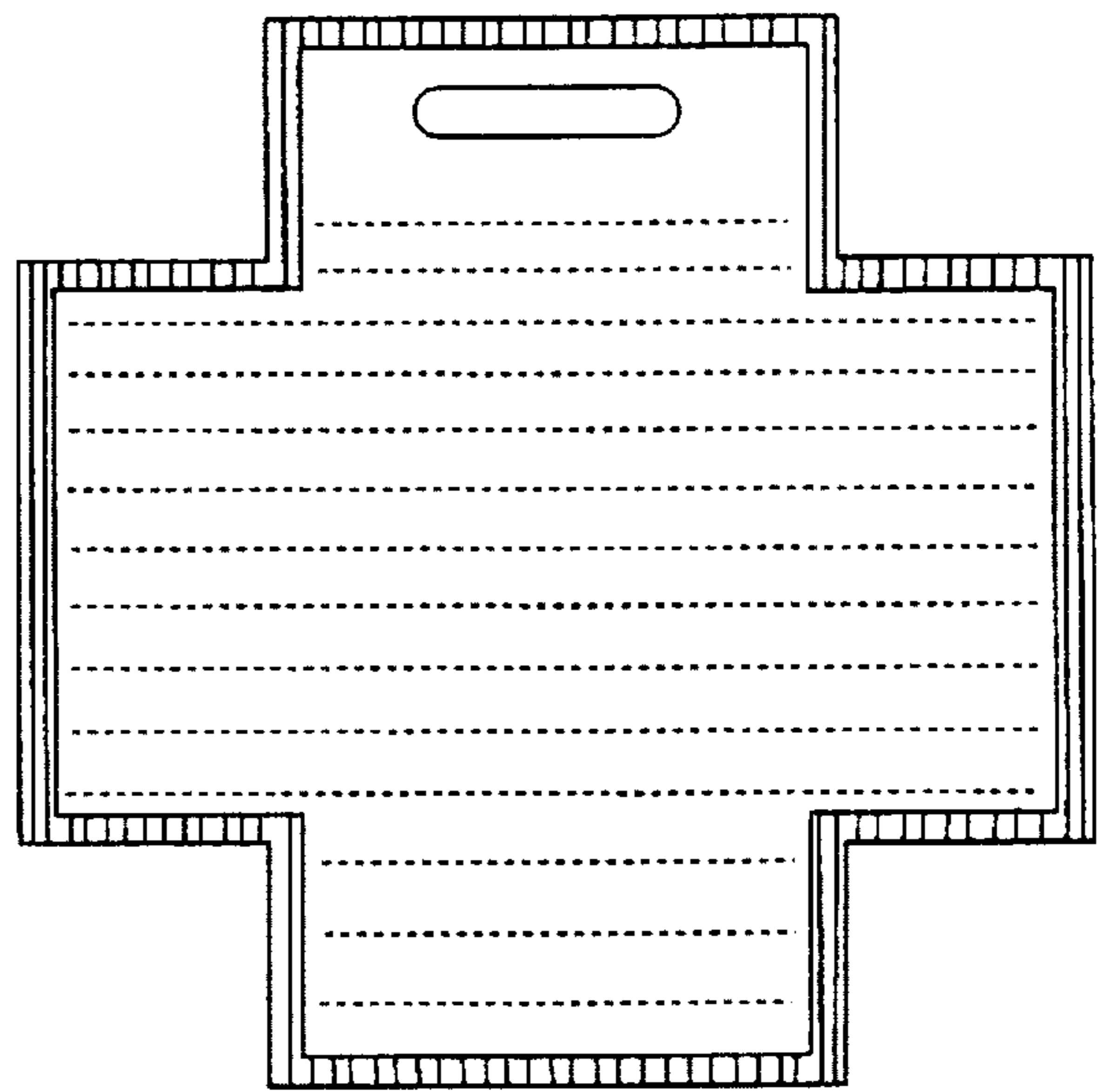


Fig 2

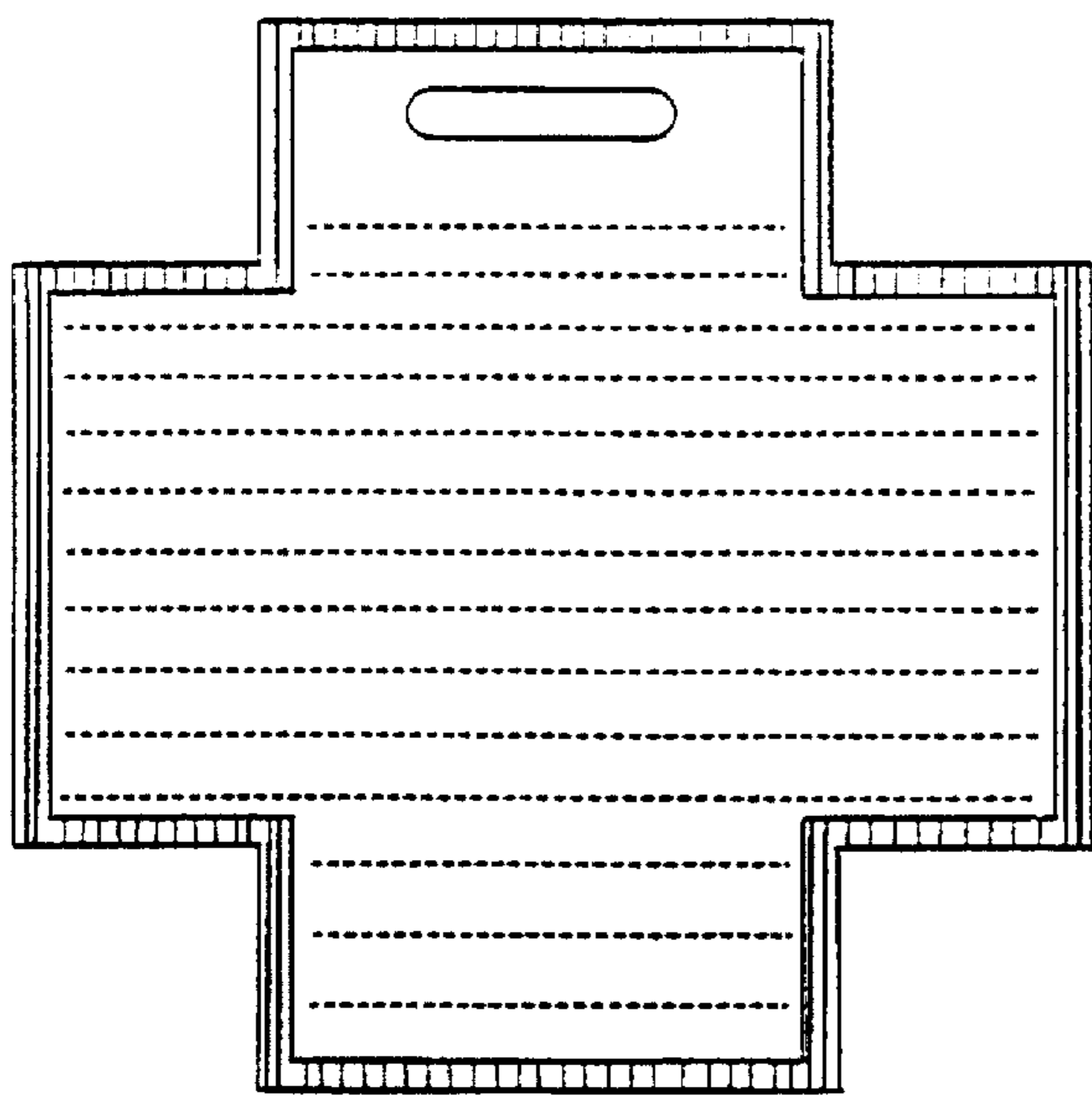


Fig. 3



Fig. 5

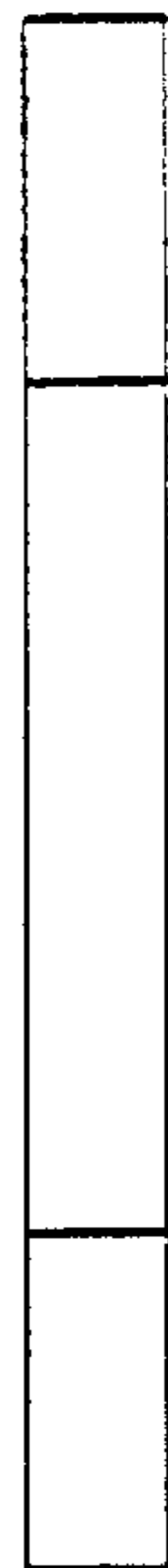


Fig. 4



Fig. 6