

US00D391989S

United States Patent [19] Plutsky

[11] Patent Number: **Des. 391,989**

[45] Date of Patent: ****Mar. 10, 1998**

[54] **PHOTO ALBUM SHEET**

1278389	10/1961	France	D19/33 X
536142	5/1930	Germany	40/158
2077186	12/1981	United Kingdom	D19/33 X

[76] Inventor: **Sheldon Plutsky**, 9801 Deering Ave.,
Chatsworth, Calif. 91311-0760

[**] Term: **14 Years**

[21] Appl. No.: **861,342**

[22] Filed: **Mar. 30, 1992**

OTHER PUBLICATIONS

VPD Album—Unlimited flyer. see circled page on both sheets.

Primary Examiner—Martie Thompson
Attorney, Agent, or Firm—Jeffer, Mangels, Butler & Marmaro LLP

Related U.S. Application Data

[63] Continuation of Ser. No. 630,364, Dec. 18, 1990, abandoned, which is a continuation of Ser. No. 912,630, Sep. 26, 1986, abandoned.

[51] **LOC (6) Cl.** **19-04**

[52] **U.S. Cl.** **D19/33**

[58] **Field of Search** D19/26, 32, 33,
D19/1-3; 40/156-159.2; 383/39; 206/455

[57] CLAIM

The ornamental design for a photo album sheet, as shown and described.

DESCRIPTION

FIG. 1 is a front perspective view of a photo album sheet showing my new design;
FIG. 2 is a side elevational view, the opposite side being a mirror image thereof;
FIG. 3 is a rear elevational view;
FIG. 4 is a top plan view;
FIG. 5 is an enlarged fragmentary cross-sectional view taken in the direction of arrows 5—5 in FIG. 1; and
FIG. 6 is an enlarged fragmentary cross-sectional view taken in the direction of arrows 6—6 in FIG. 1.

[56] References Cited

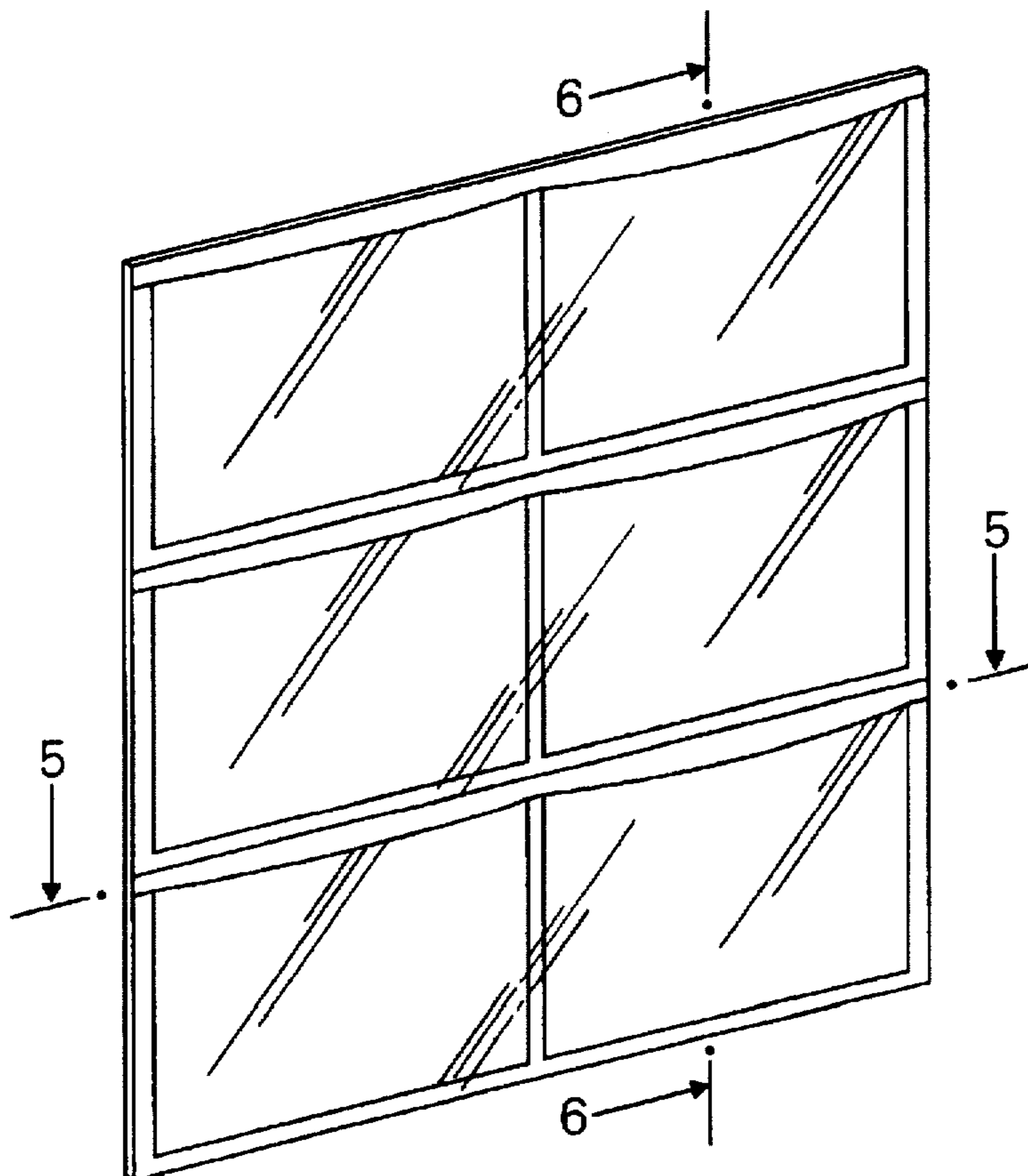
U.S. PATENT DOCUMENTS

D. 225,791	1/1973	Nast	D19/33
1,995,518	3/1935	Perry	40/159.2 X
2,438,997	4/1948	Hall	40/159.2 X
4,629,070	12/1986	Roberg	206/455

FOREIGN PATENT DOCUMENTS

1150004 1/1958 France 40/158

1 Claim, 2 Drawing Sheets



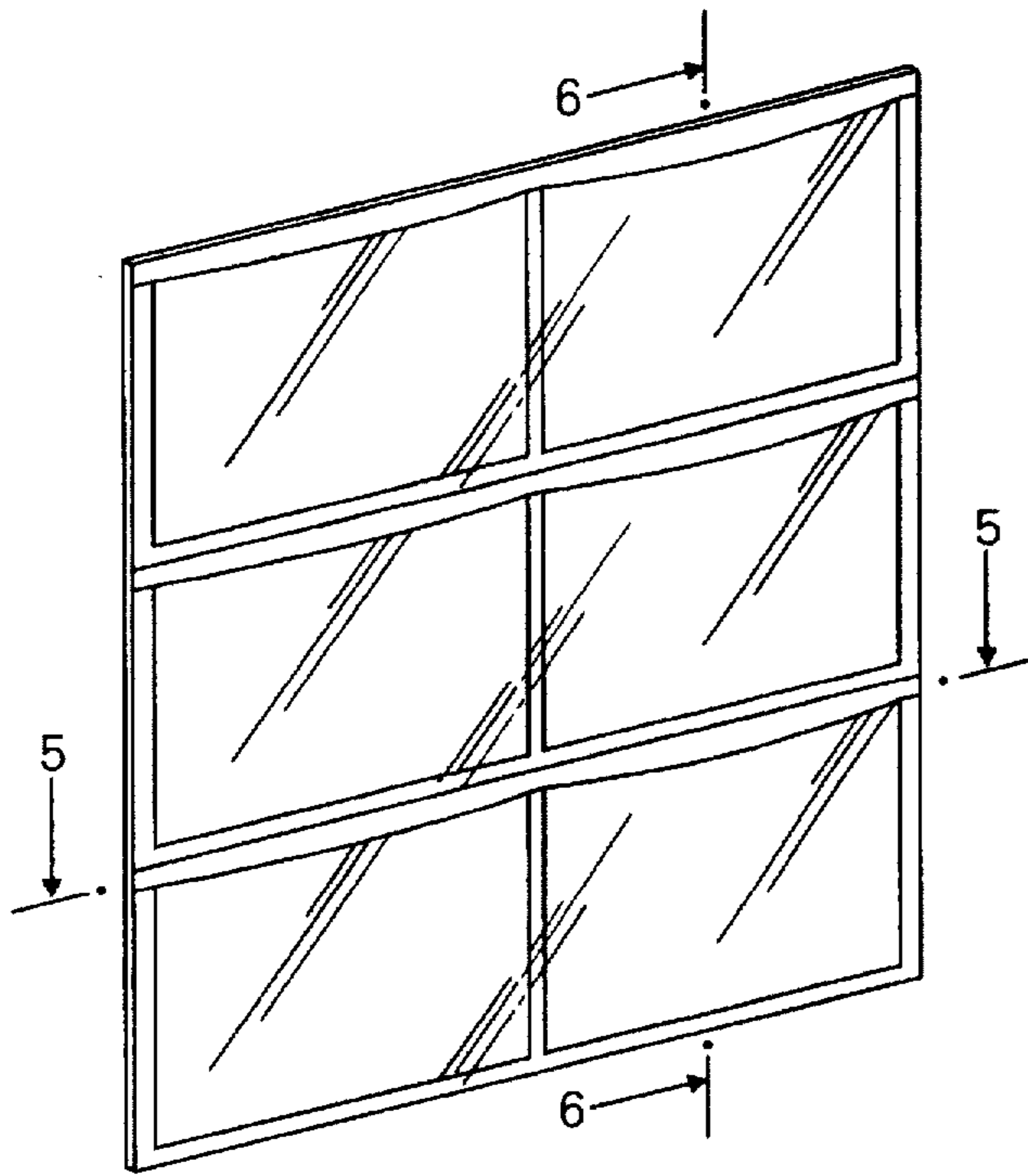


FIG. 1



FIG. 2

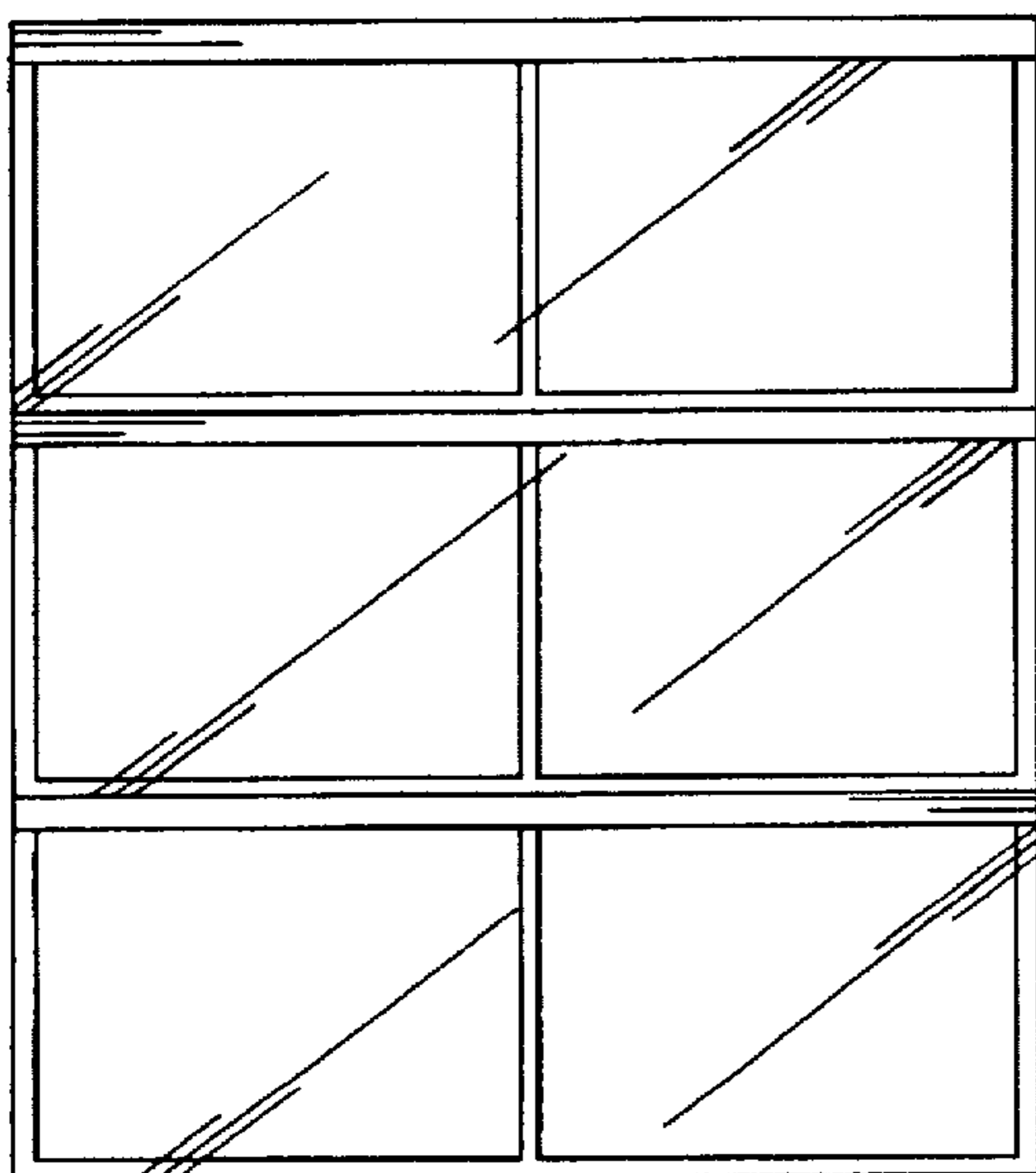


FIG. 3



FIG. 4



FIG. 5

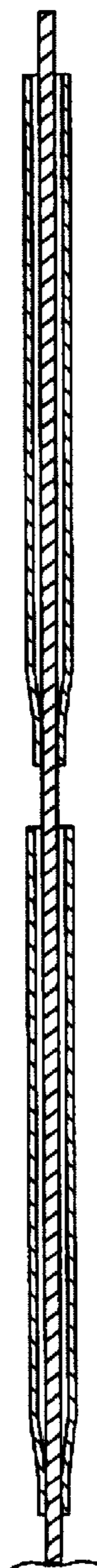


FIG. 6