



US00D391987S

# United States Patent [19]

Jambhekar et al.

[11] Patent Number: **Des. 391,987**

[45] Date of Patent: **\*\*Mar. 10, 1998**

[54] **DIGITAL BOOK**

[75] Inventors: **Shrirang Nikanth Jambhekar**,  
Schaumburg; **Daryl R. Harris**,  
Evanston, both of Ill.

[73] Assignee: **Motorola, Inc.**, Schaumburg, Ill.

[\*\*] Term: **14 Years**

[21] Appl. No.: **57,978**

[22] Filed: **Aug. 5, 1996**

[51] **LOC (6) Cl.** ..... **19-04**

[52] **U.S. Cl.** ..... **D19/26; D19/52; D14/100;**  
**D14/106**

[58] **Field of Search** ..... **D19/26, 27, 28,**  
**D19/52, 59, 60, 35, 36; D14/100, 105,**  
**106, 107; D18/7, 2; 364/708.1, 708, 709.4,**  
**709.12; 40/544, 367; 434/317, 85, 339;**  
**281/15.1, 21.1, 29, 31, 35, 33, 45; 340/700,**  
**706**

[56] **References Cited**

**U.S. PATENT DOCUMENTS**

D. 333,462 2/1993 Tyson ..... D14/106 X

D. 339,139	9/1993	Jones et al.	.....	D14/106 X
D. 343,407	1/1994	Kando	.....	D14/106
D. 359,306	6/1995	Lande et al.	.....	D19/26
D. 366,280	1/1996	Henderson	.....	D19/52
D. 373,118	8/1996	Naruki	.....	D14/100
4,195,431	4/1980	Neufeld	.....	40/544
5,049,862	9/1991	Dao et al.	.....	340/706

*Primary Examiner*—Martie Thompson  
*Attorney, Agent, or Firm*—S. Kevin Pickens

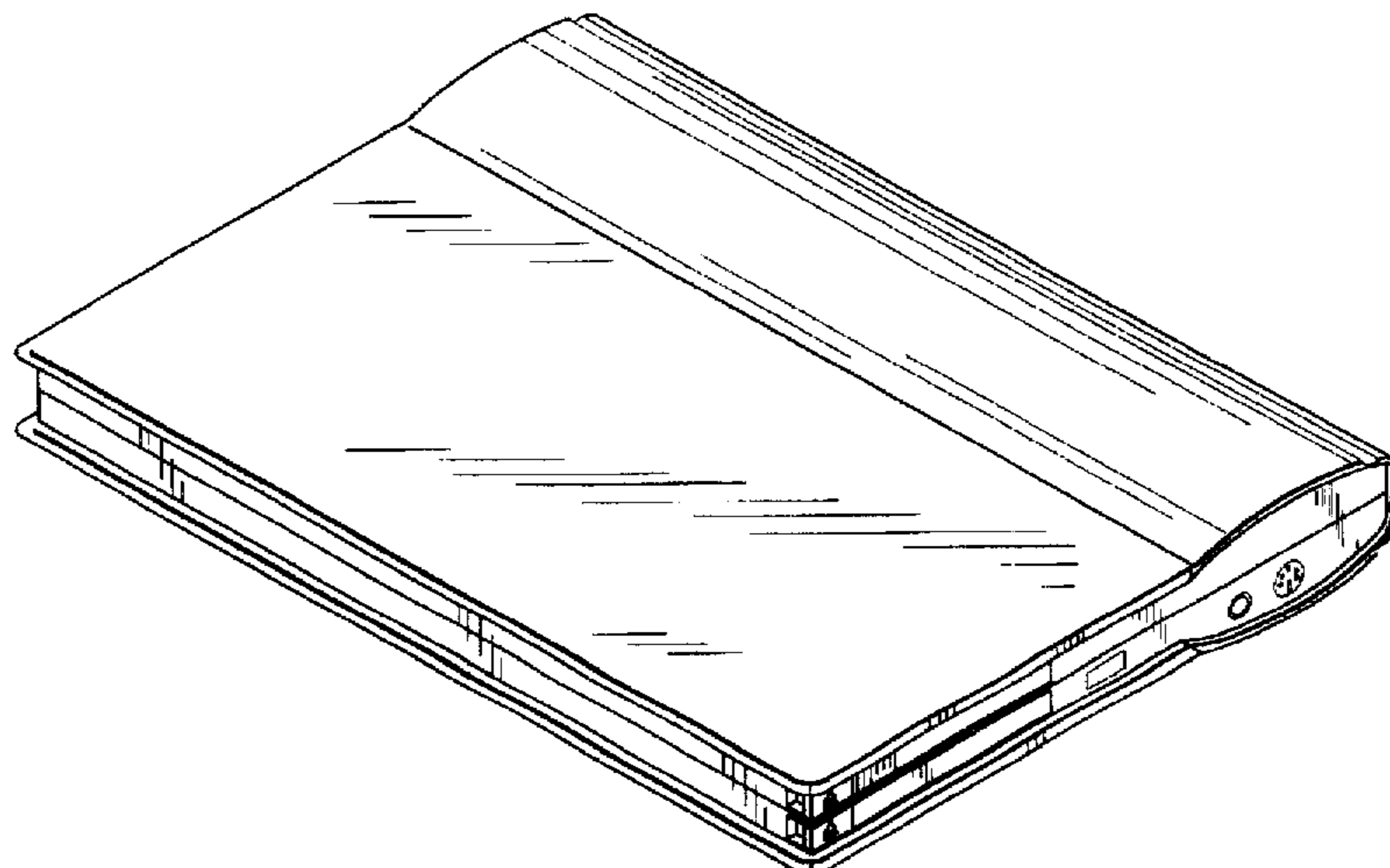
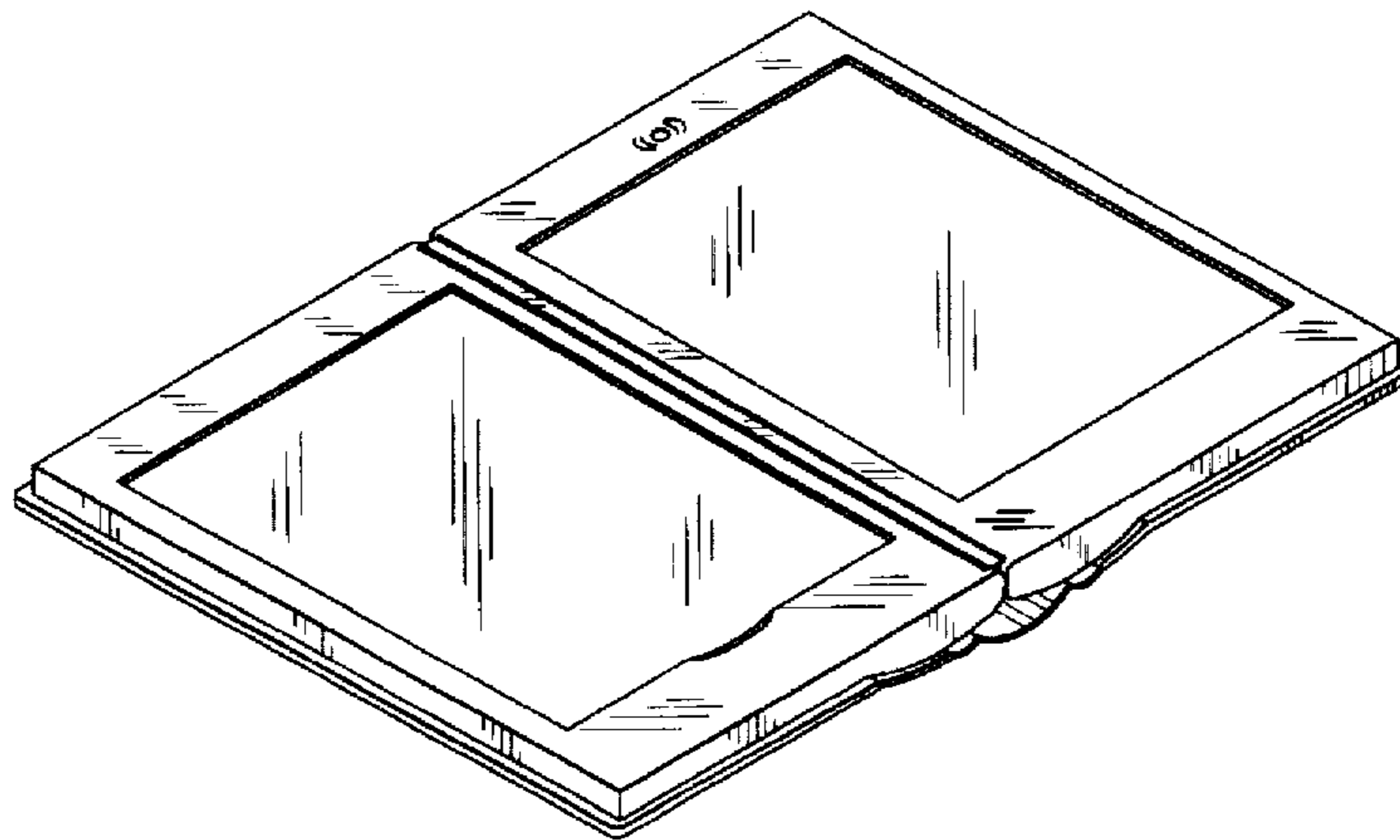
[57] **CLAIM**

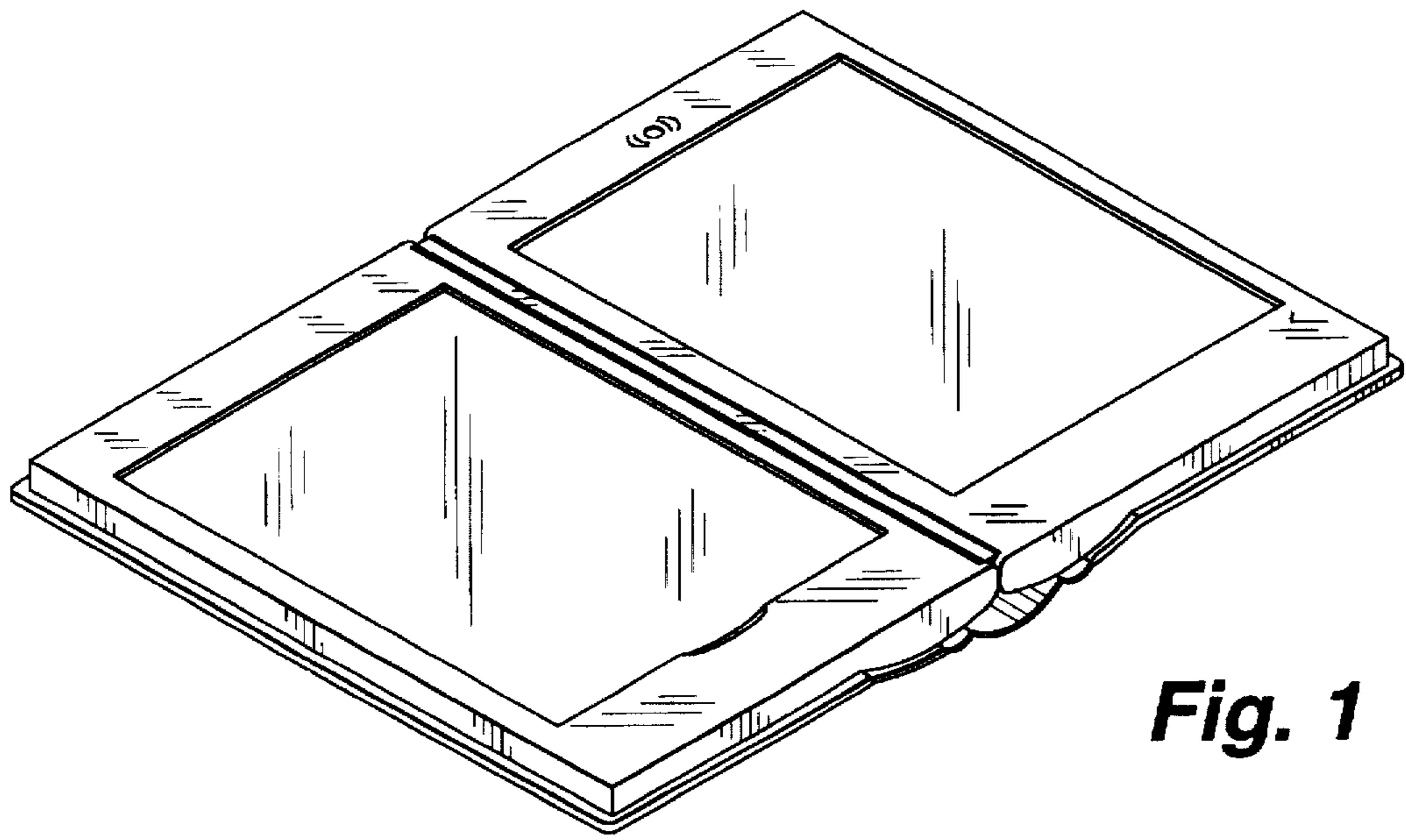
The ornamental design for a digital book, as shown and described.

**DESCRIPTION**

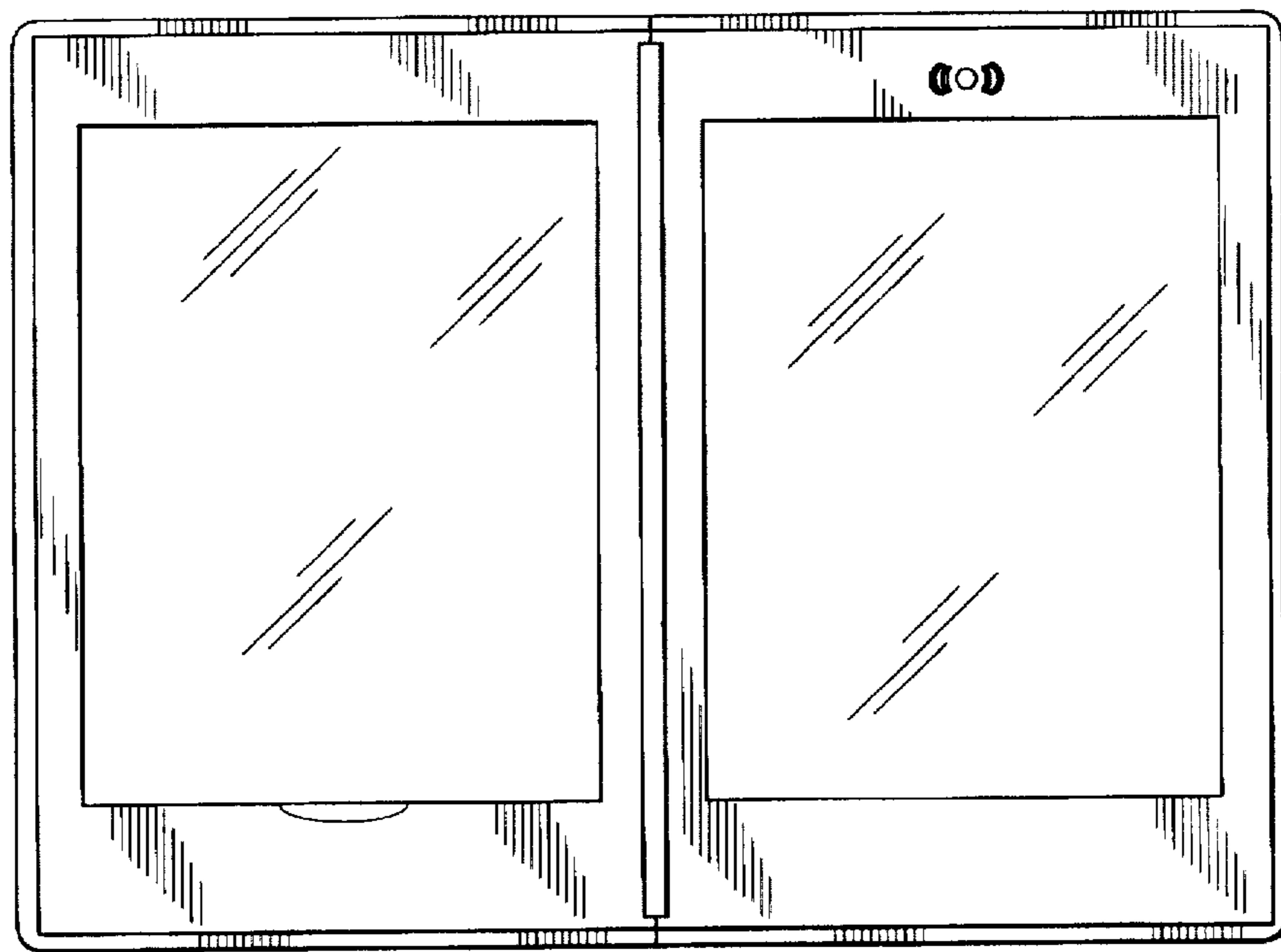
FIG. 1 is a bottom, left, perspective view of a digital book laid open;  
FIG. 2 is a front elevation view of the digital book laid open;  
FIG. 3 is a bottom plan view of the digital book laid open;  
FIG. 4 is a top plan view of the digital book laid open;  
FIG. 5 is a rear elevation view of the digital book laid open;  
FIG. 6 is a left elevation view of the digital book in FIG. 5;  
FIG. 7 is a right elevation view of the digital book in FIG. 5; and,  
FIG. 8 is a bottom, left, perspective view of the digital book closed.

**1 Claim, 3 Drawing Sheets**





**Fig. 1**



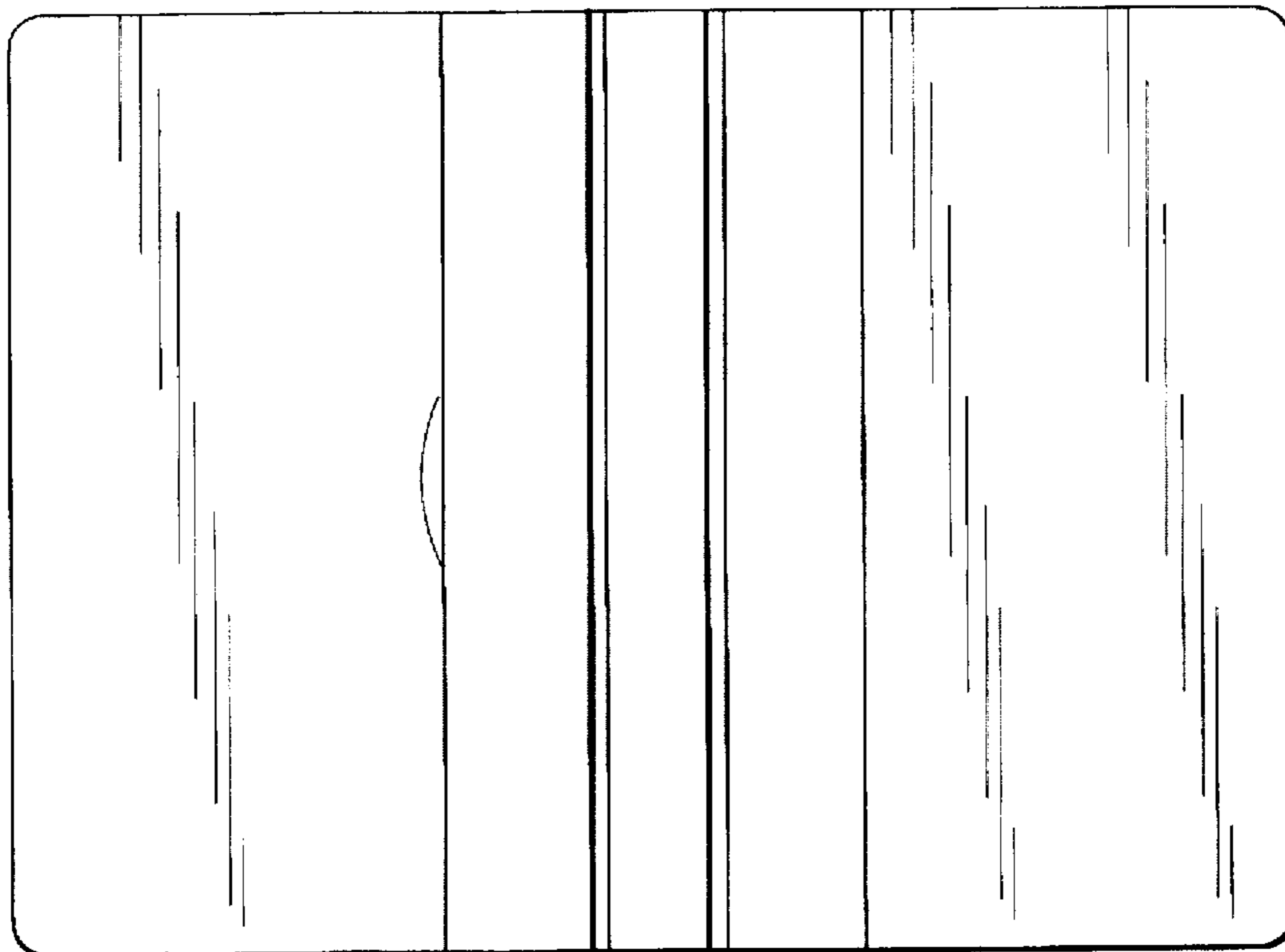
**Fig. 2**



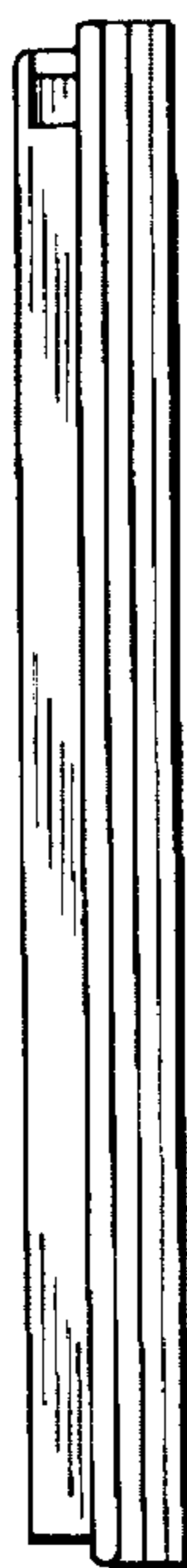
**Fig. 3**



**Fig. 4**



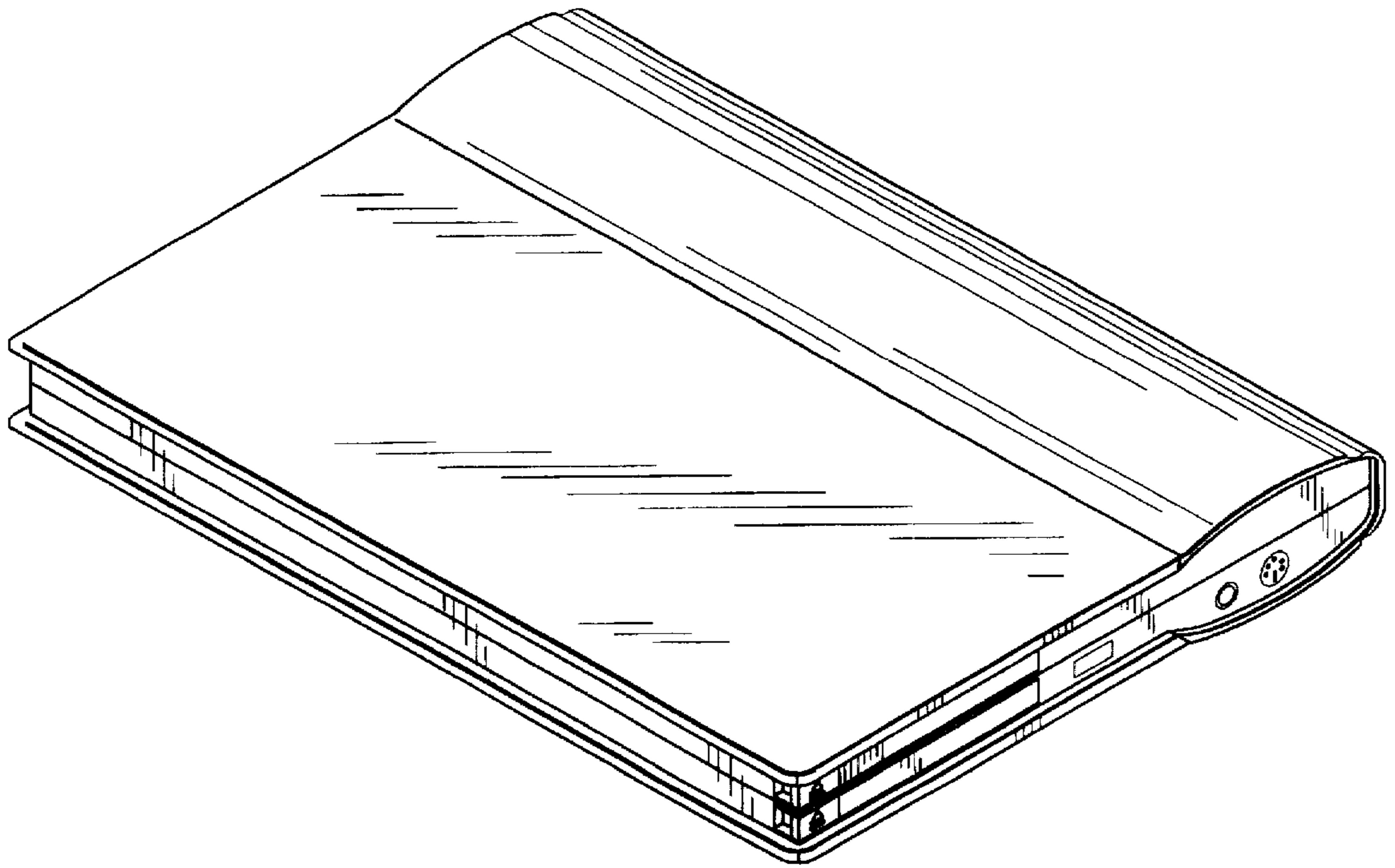
**Fig. 5**



**Fig. 6**



**Fig. 7**



**Fig. 8**