



US00D391986S

United States Patent [19]

Steinmetz et al.

[11] Patent Number: Des. 391,986

[45] Date of Patent: **Mar. 10, 1998

[54] FLUID CONTAINER

[75] Inventors: **Charles R. Steinmetz; Susan M. Hmelar**, both of Corvallis, Oreg.; **Donald R. McClelland**, Brush Prairie, Wash.

[73] Assignee: **Hewlett-Packard Company**, Palo Alto, Calif.

[**] Term: **14 Years**

[21] Appl. No.: **61,735**

[22] Filed: **Oct. 29, 1996**

Related U.S. Application Data

- [63] Continuation-in-part of Ser. No. 55,382, Jun. 5, 1996.
- [51] LOC (6) Cl. **18-02**
- [52] U.S. Cl. **D18/56**
- [58] Field of Search D18/56, 43; 347/86, 347/87

[56] References Cited

U.S. PATENT DOCUMENTS

D. 368,275	3/1996	Sakurai et al.	D18/56
D. 375,756	11/1996	Murray et al.	D18/56
D. 378,660	4/1997	Ota et al.	D18/56
4,131,899	12/1978	Christou	347/87
4,551,734	11/1985	Causley et al.	347/86
4,568,954	2/1986	Rosback	347/86
4,959,667	9/1990	Kaplinsky	347/87
5,216,452	6/1993	Suzuki	347/86
5,477,963	12/1995	Mochizuki et al.	347/86
5,541,631	7/1996	Hasimoto	347/86

5,583,545	12/1996	Pawlowski, Jr. et al.	347/86
5,629,728	5/1997	Karita et al.	347/87
5,646,664	7/1997	Pawlowski, Jr.	347/86

FOREIGN PATENT DOCUMENTS

000619429	8/1991	Australia	347/86
000560266	9/1993	European Pat. Off.	347/87
360219061	11/1985	Japan	347/86
362261451	11/1987	Japan	347/86
402000514	1/1990	Japan	347/87
402243351	9/1990	Japan	347/86
403184873	8/1991	Japan	347/86
403248848	11/1991	Japan	347/86
406218941	8/1994	Japan	347/86

Primary Examiner—Cathy Anne MacCormac
Attorney, Agent, or Firm—Raymond A. Jenski

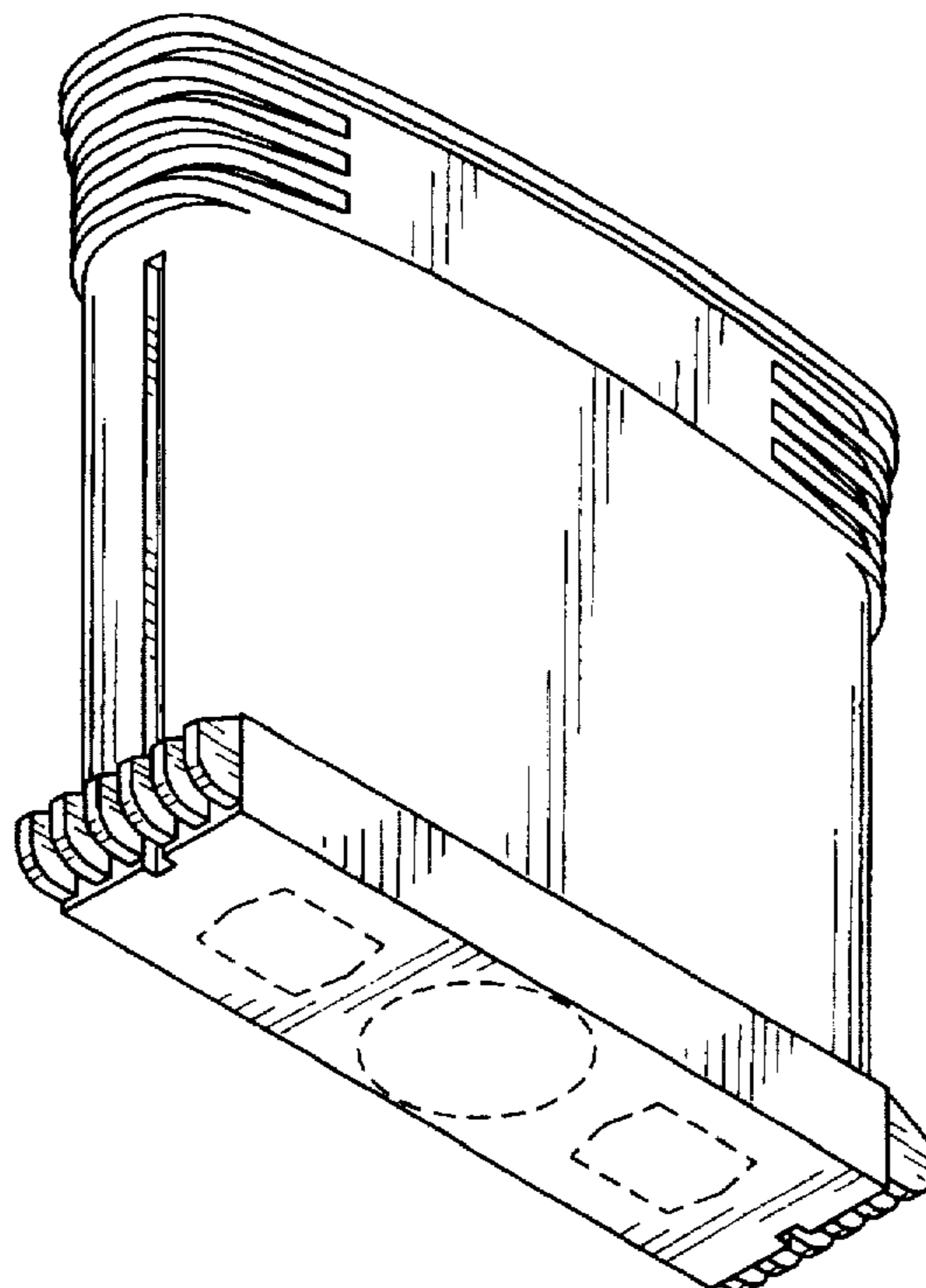
[57] CLAIM

The ornamental design for a fluid container, as shown and described.

DESCRIPTION

FIG. 1 is bottom, front, and left side perspective view of a fluid container showing our new design;
 FIG. 2 is a front elevation view of our new design (the rear elevation is essentially identical to the front);
 FIG. 3 is a right side elevation view of our new design (the left side elevation view being a mirror image of the right side);
 FIG. 4 is a top plan view of our new design; and,
 FIG. 5 is a bottom plan view of our new design.
 Broken line material of FIGS. 1 and 5, is for illustrative purposes only and forms no part of the claimed design.

1 Claim, 2 Drawing Sheets



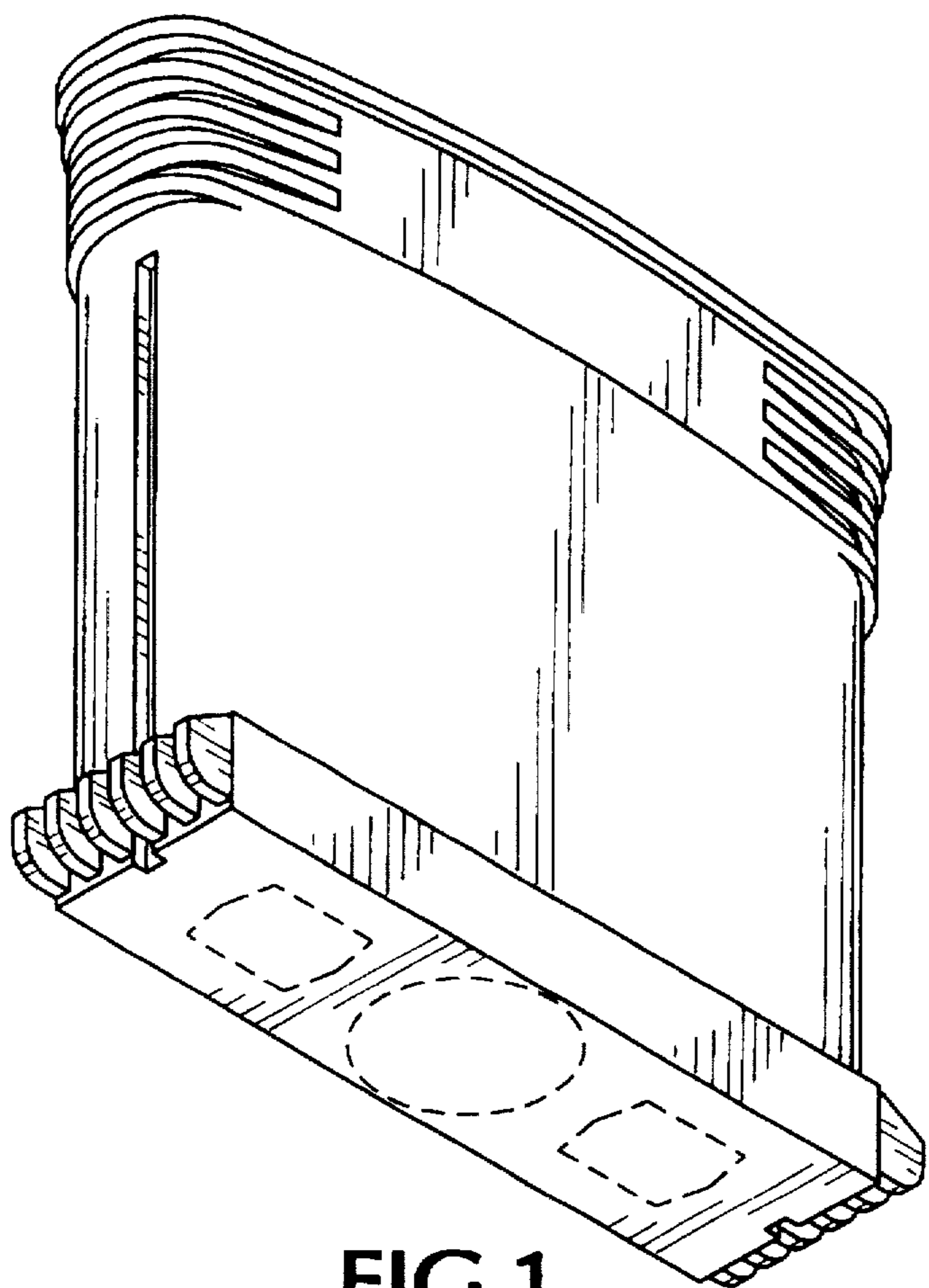


FIG.1

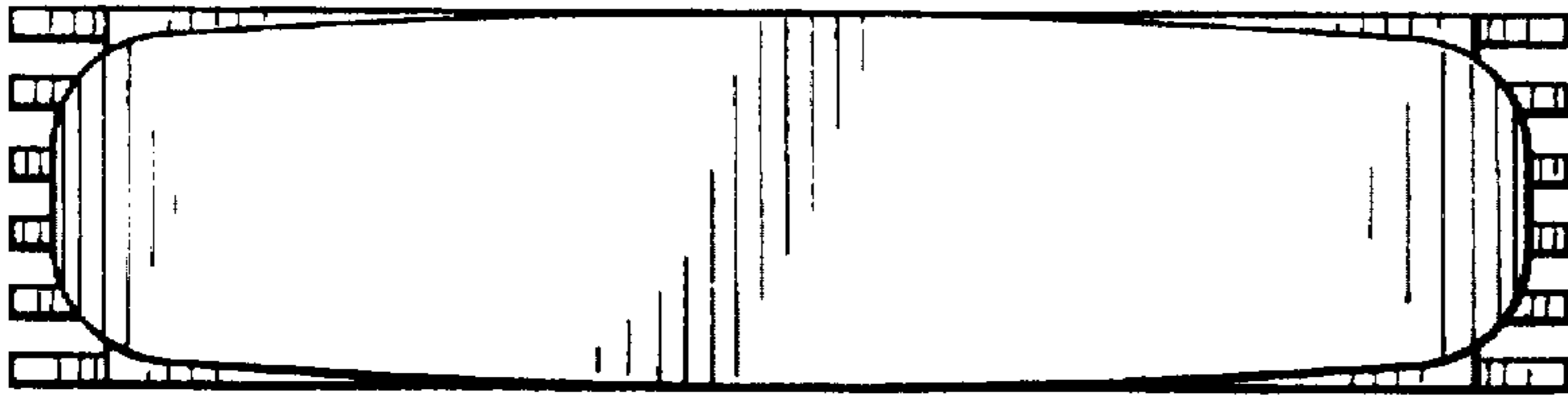


FIG. 4

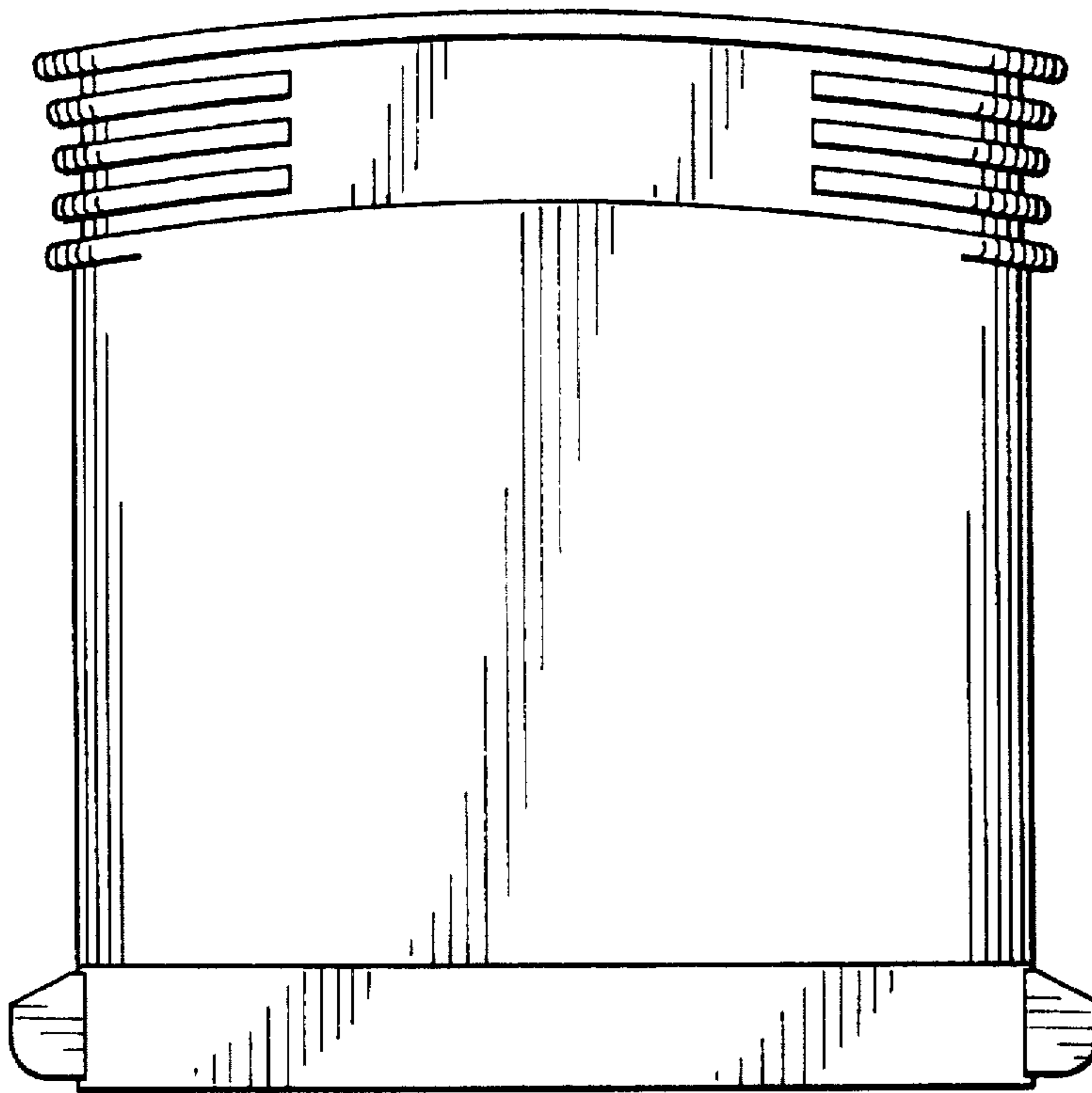


FIG. 2

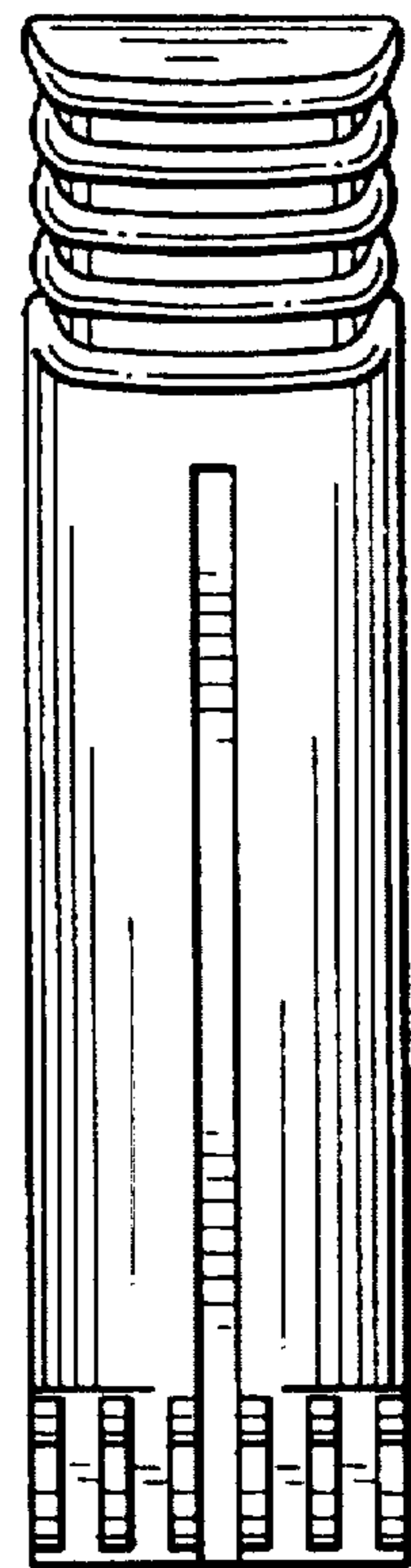


FIG. 3

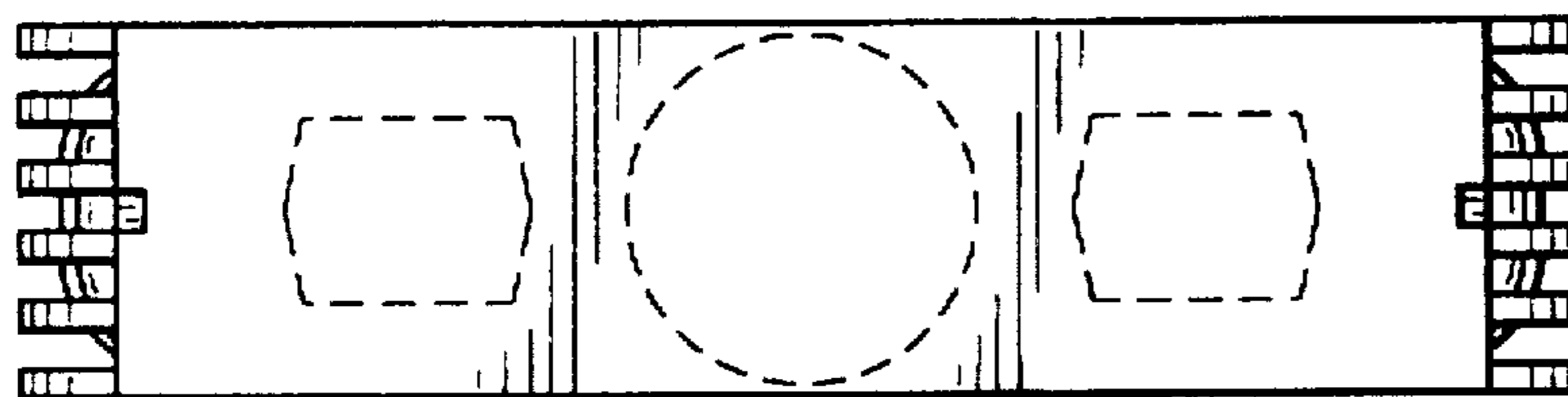


FIG. 5