

US00D391977S

United States Patent [19]
Kiesel

[11] **Patent Number: Des. 391,977**
[45] **Date of Patent: **Mar. 10, 1998**

[54] **CAMERA HOUSING**

[75] **Inventor: Burkard Kiesel, Braunfels, Germany**

[73] **Assignee: Leica Camera AG, Solms, Germany**

[**] **Term: 14 Years**

[21] **Appl. No.: 68,169**

[22] **Filed: Mar. 13, 1997**

[30] **Foreign Application Priority Data**

Sep. 13, 1996 [DE] Germany M 96 07 920.7

[51] **LOC (6) Cl. 16-01**

[52] **U.S. Cl. D16/218; D16/200**

[58] **Field of Search D16/200-205,
D16/208, 209; D21/110; 396/60. 535-543**

[56] **References Cited**

U.S. PATENT DOCUMENTS

D. 275,682	9/1984	Matsuto	D16/217
D. 356,587	3/1995	Shuler et al.	D16/218
D. 359,747	6/1995	Furuno et al.	D16/209
D. 373,130	8/1996	Jim	D16/218
D. 379,632	6/1997	Hoshi et al.	D16/218
4,924,248	5/1990	Taniguchi et al.	396/60

FOREIGN PATENT DOCUMENTS

57-173822 10/1982 Japan 396/535

Primary Examiner—Philip S. Hyder
Assistant Examiner—Adir Aronovich
Attorney, Agent, or Firm—Evenson, McKeown, Edwards & Lenahan P.L.L.C.

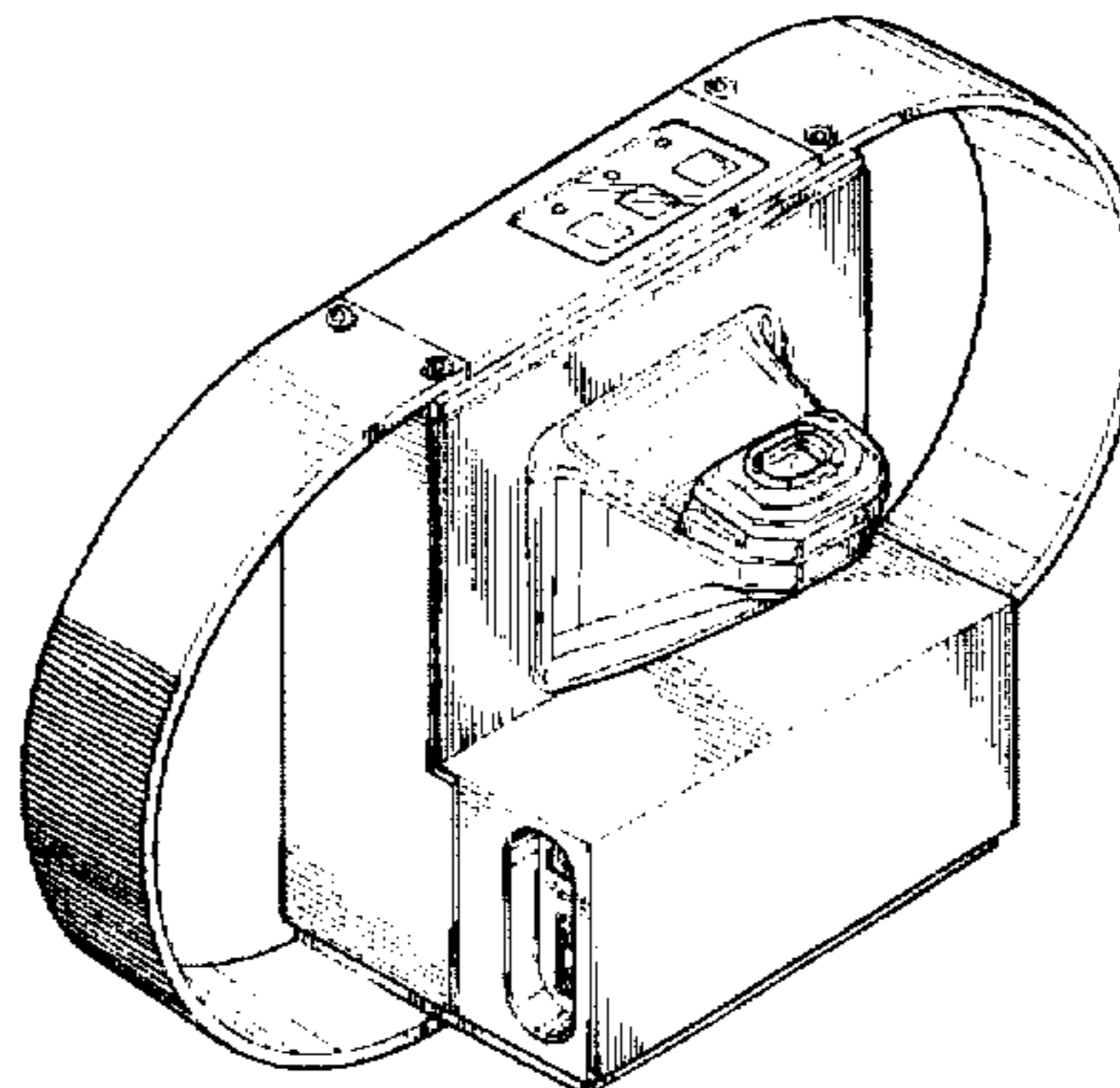
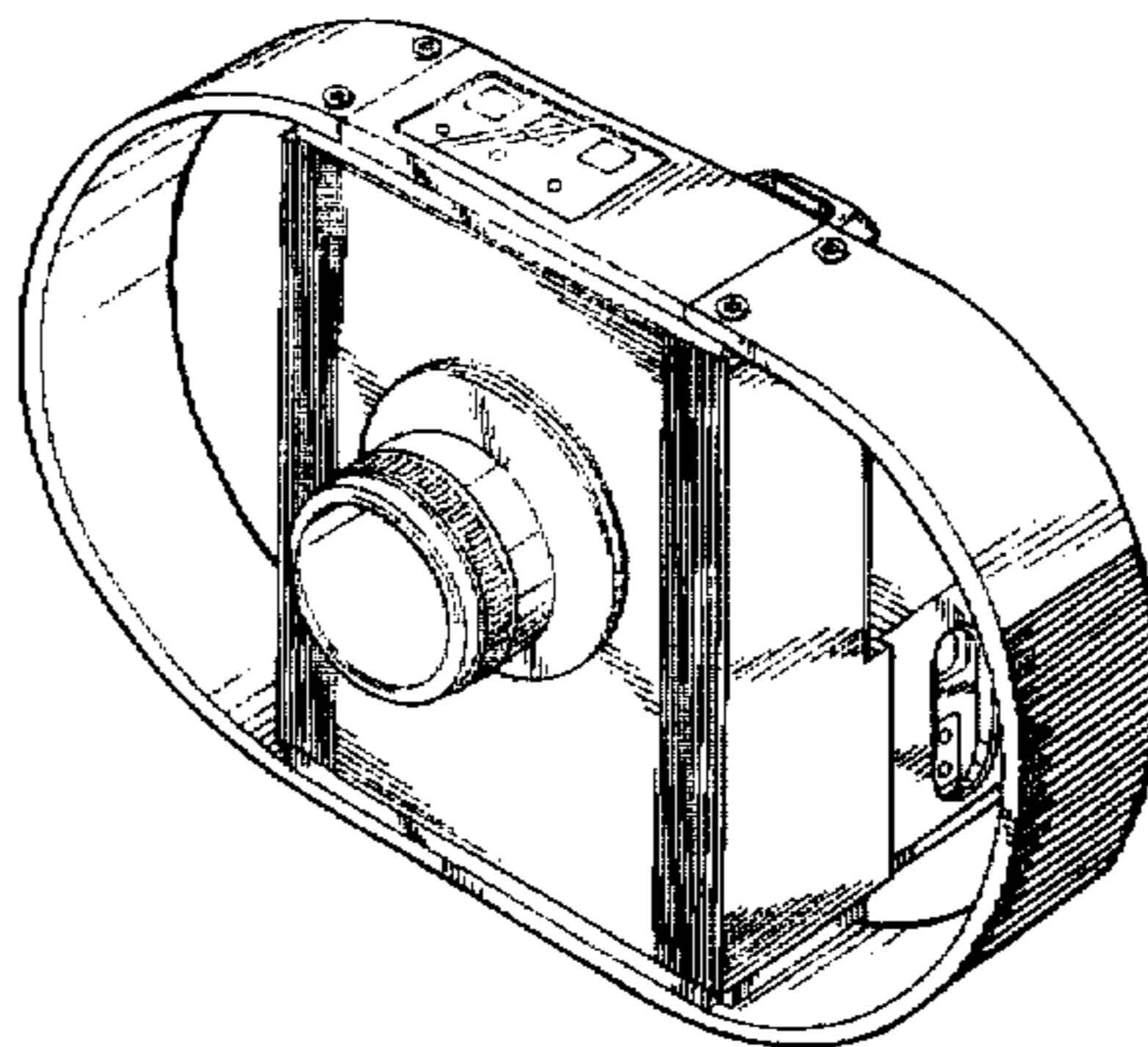
[57] **CLAIM**

The ornamental design for a camera housing, as shown and described.

DESCRIPTION

FIG. 1 is a front perspective view of a camera housing embodying my new design;
FIG. 2 is a rear perspective view thereof;
FIG. 3 is a front view thereof;
FIG. 4 is a rear view thereof;
FIG. 5 is a left side view thereof;
FIG. 6 is a right side view thereof;
FIG. 7 is a top view thereof; and
FIG. 8 is a bottom view thereof;
FIG. 9 is a front perspective view of a modified embodiment, with an attached objective lens;
FIG. 10 is a rear perspective view thereof with an attached objective lens;
FIG. 11 is a front view thereof with an attached objective lens;
FIG. 12 is a rear view thereof with an attached objective lens;
FIG. 13 is a left side view thereof with an attached objective lens;
FIG. 14 is a right side view thereof with an attached objective lens;
FIG. 15 is a top view thereof with an attached objective lens; and
FIG. 16 is a bottom view thereof with an attached objective lens.

1 Claim, 14 Drawing Sheets



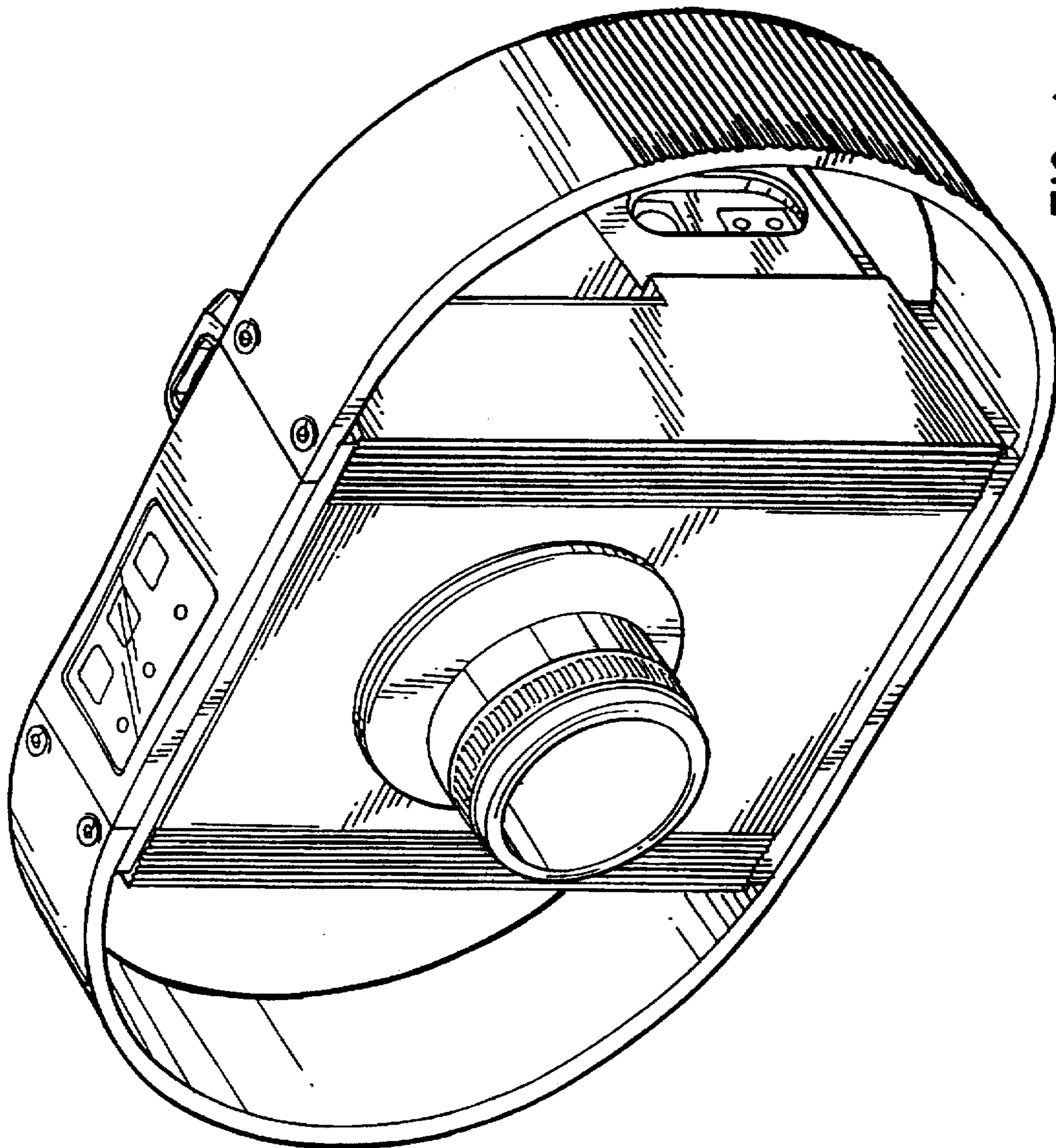


FIG. 1

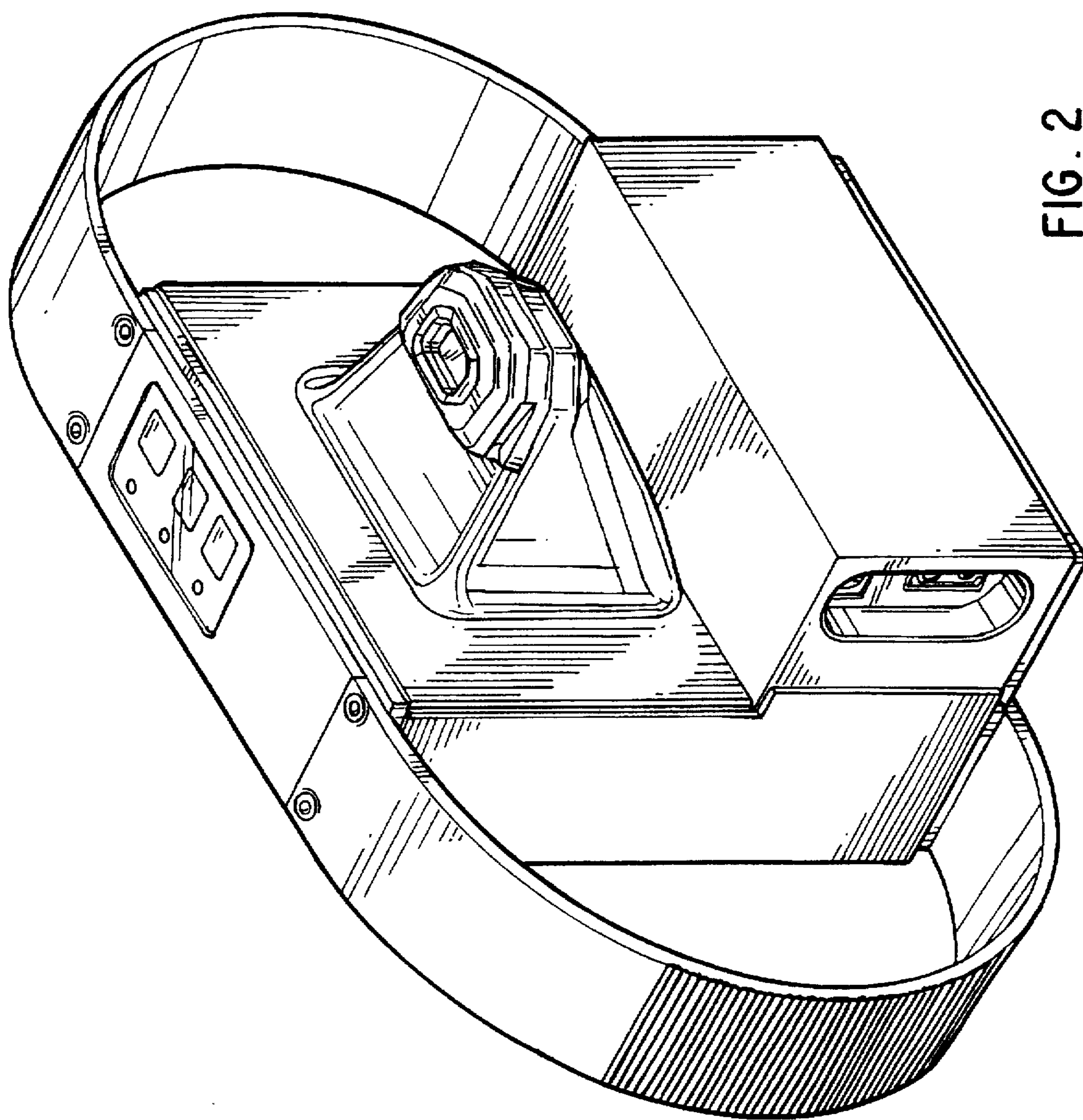


FIG. 2

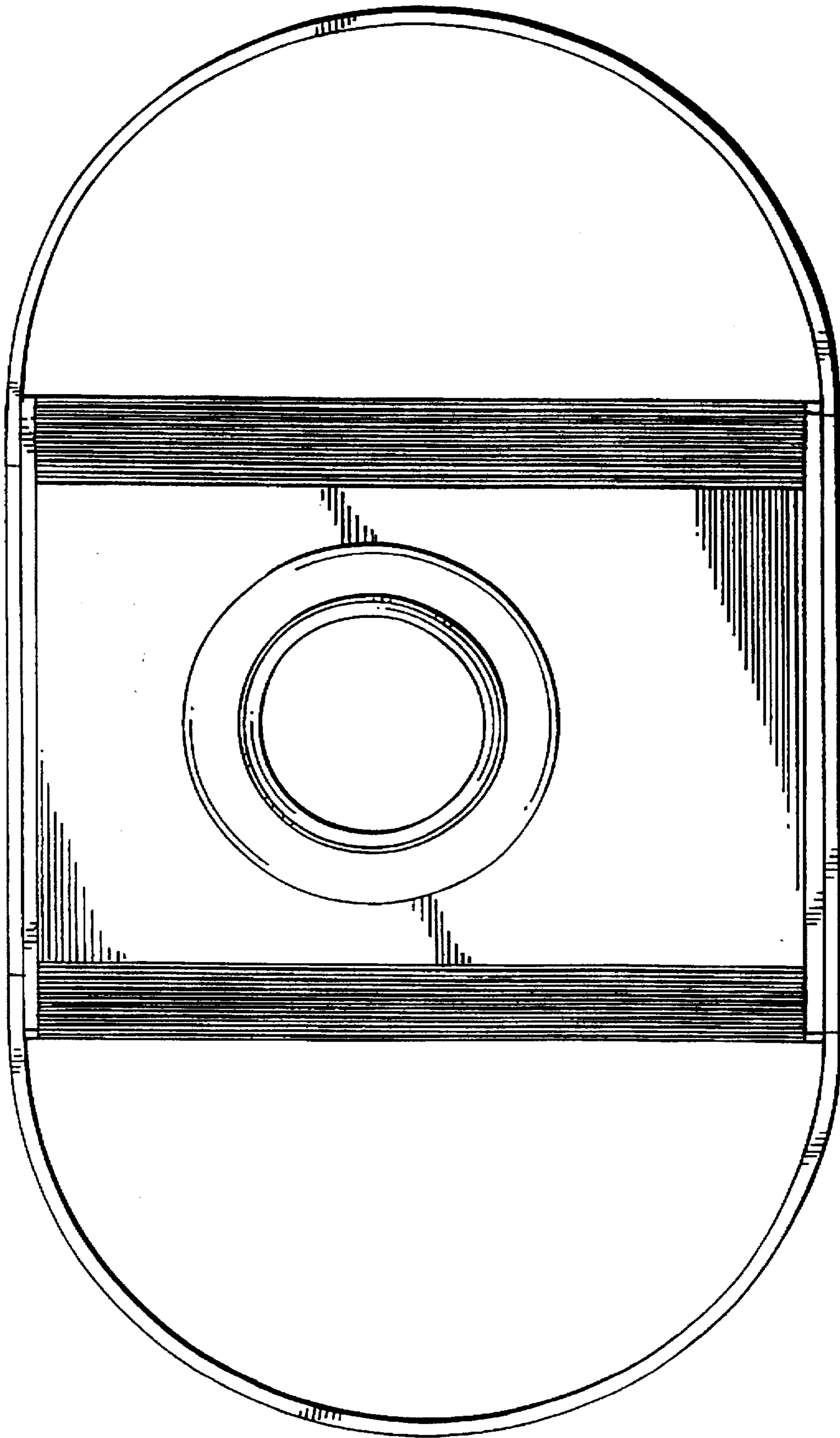


FIG. 3

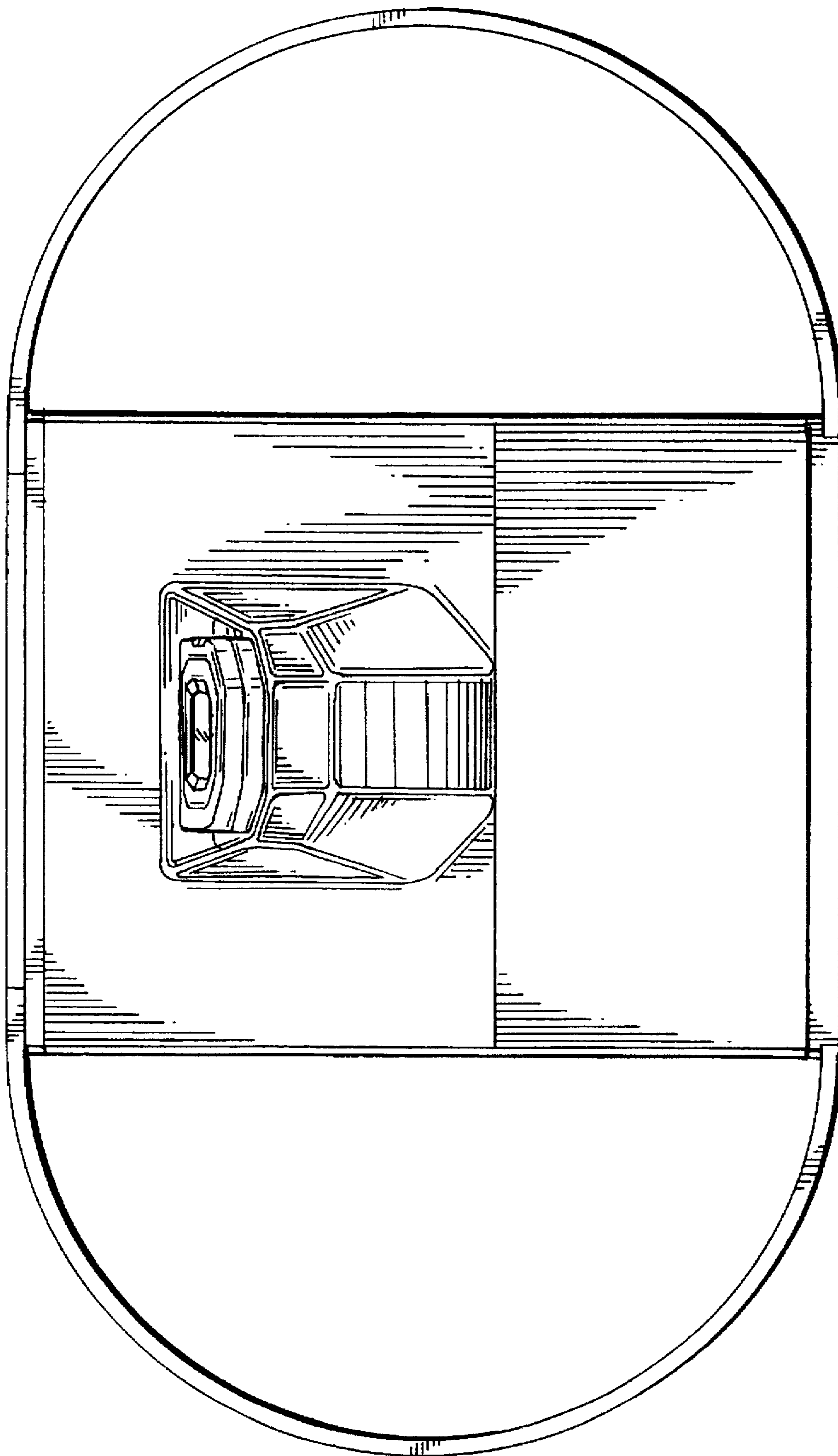


FIG. 4

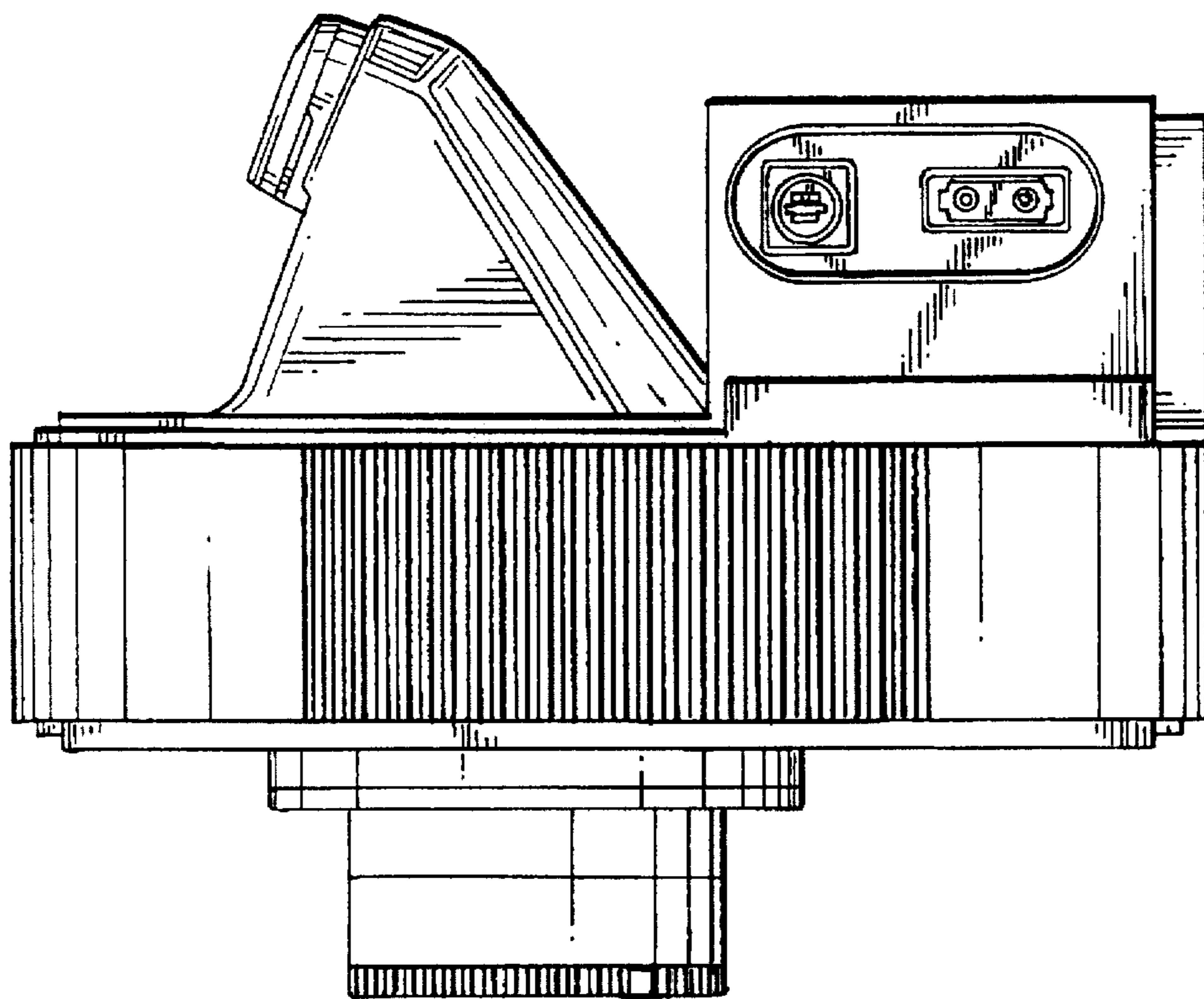


FIG. 6

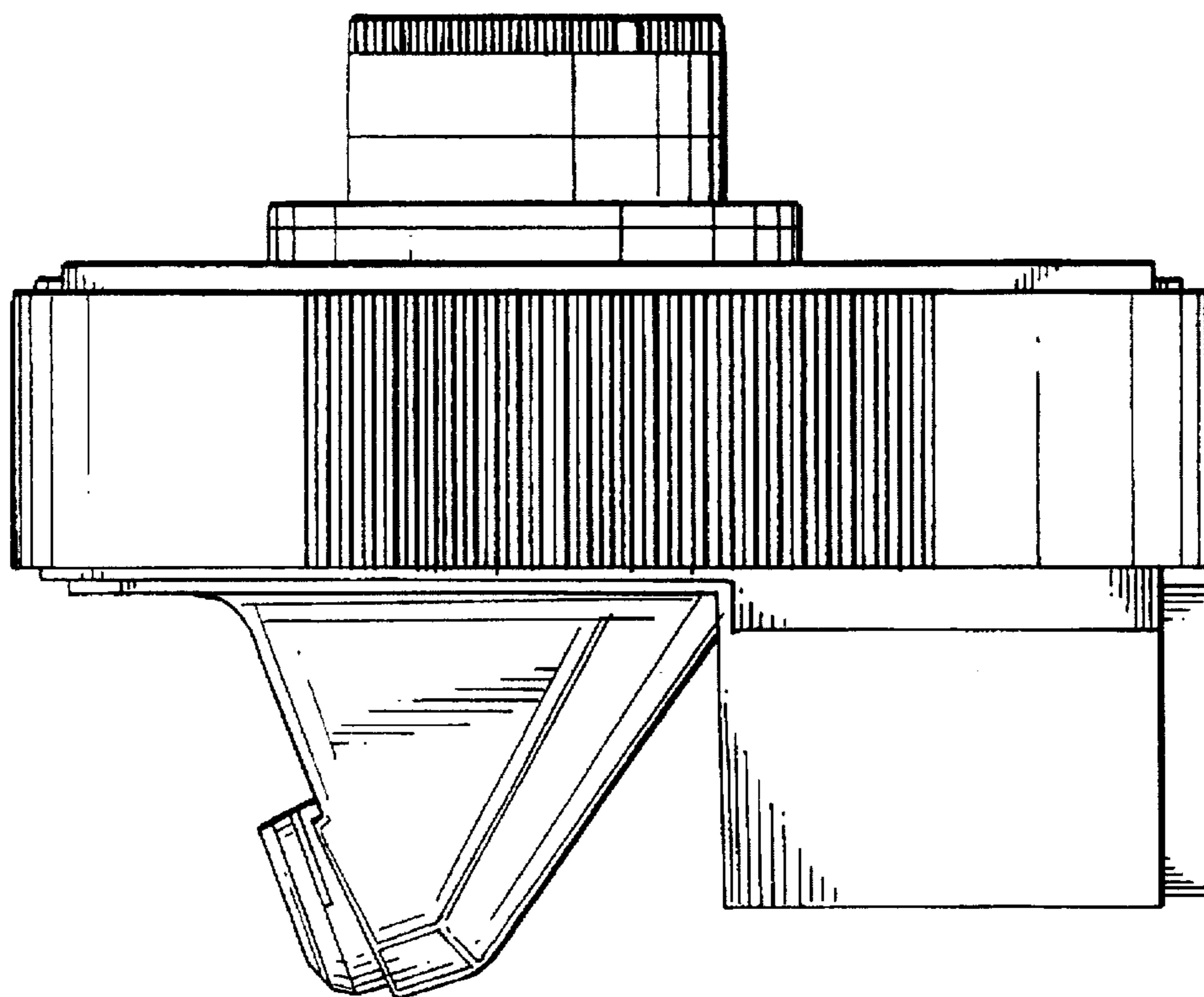


FIG. 5

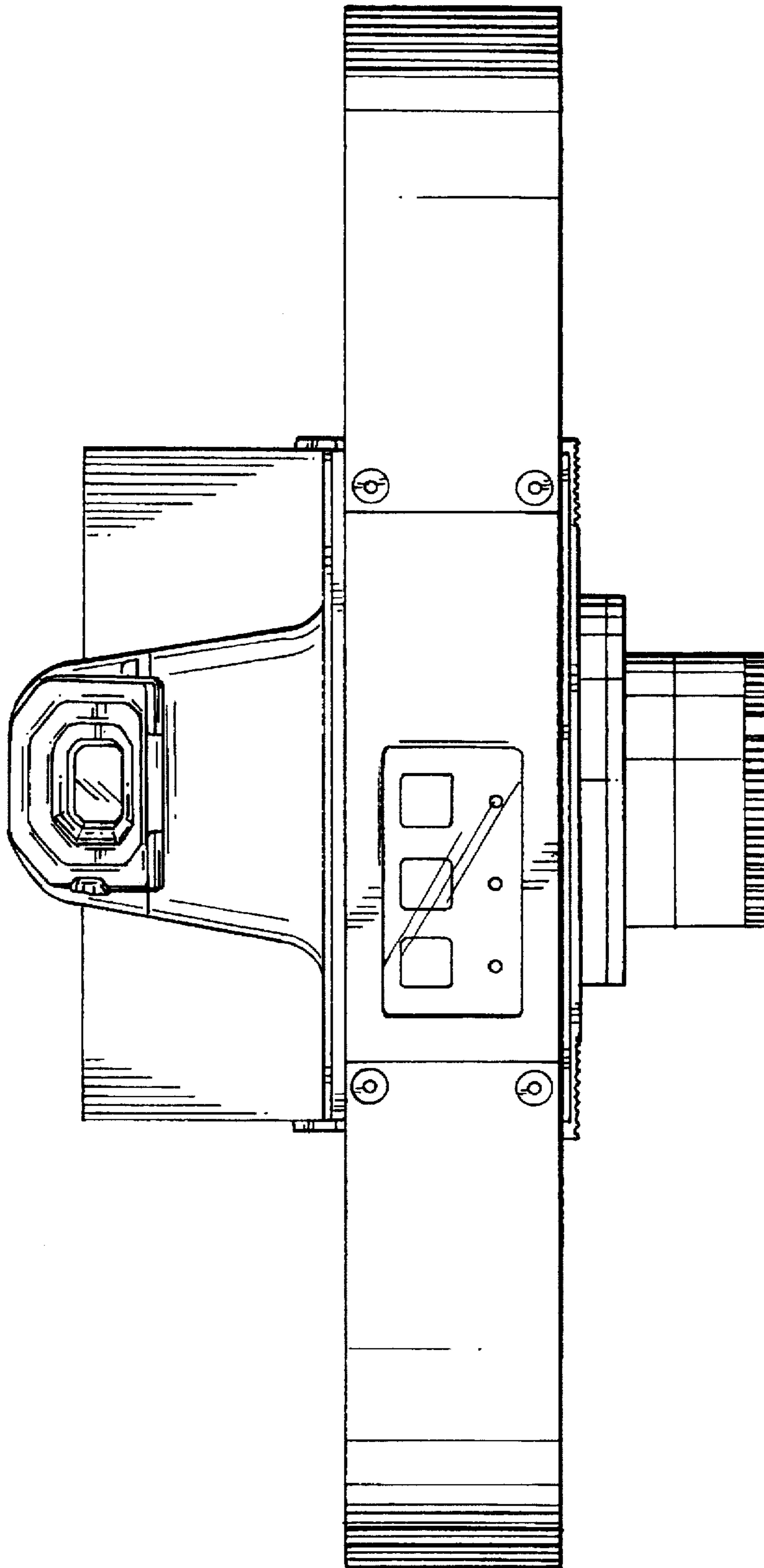


FIG. 7

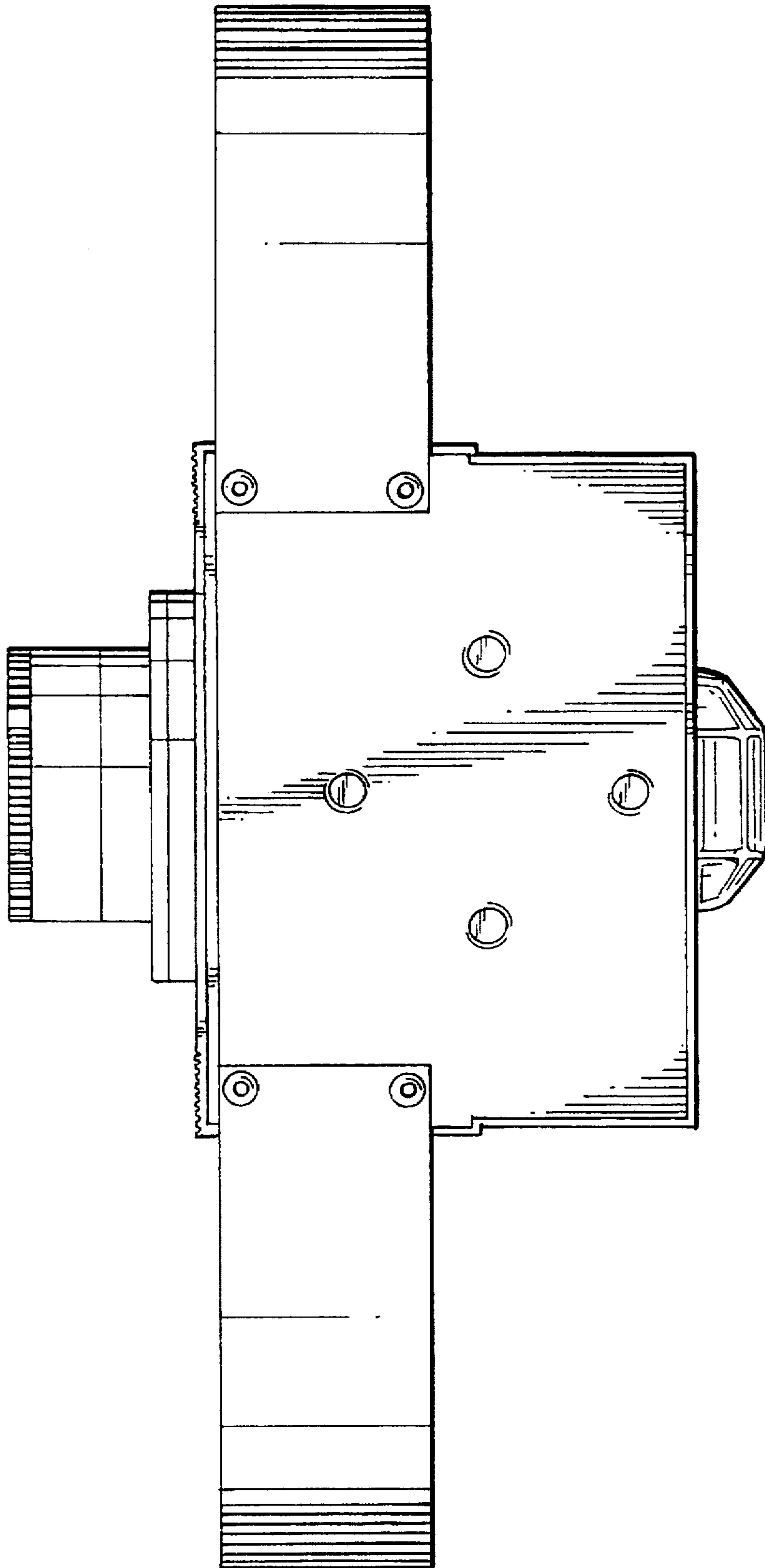


FIG. 8

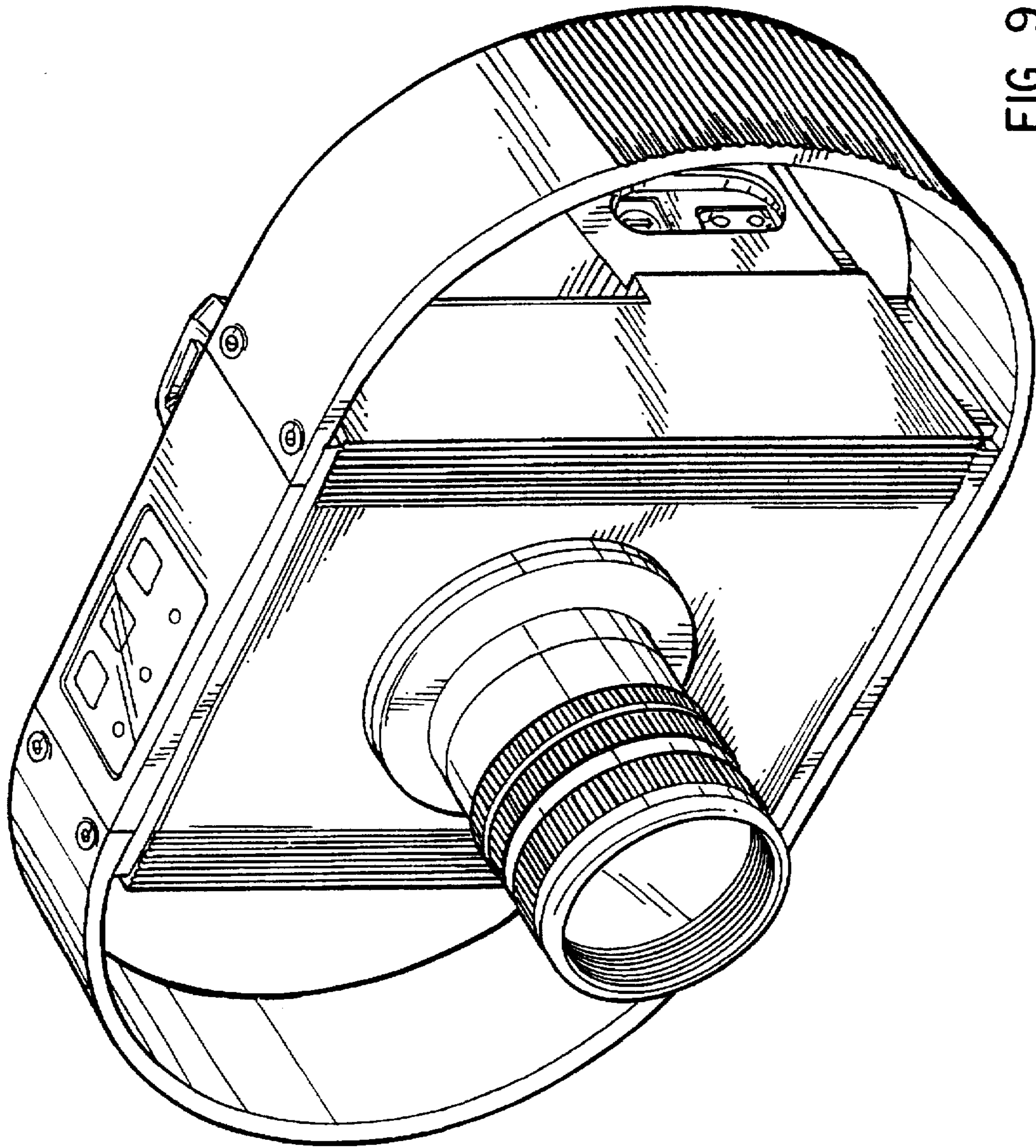


FIG. 9

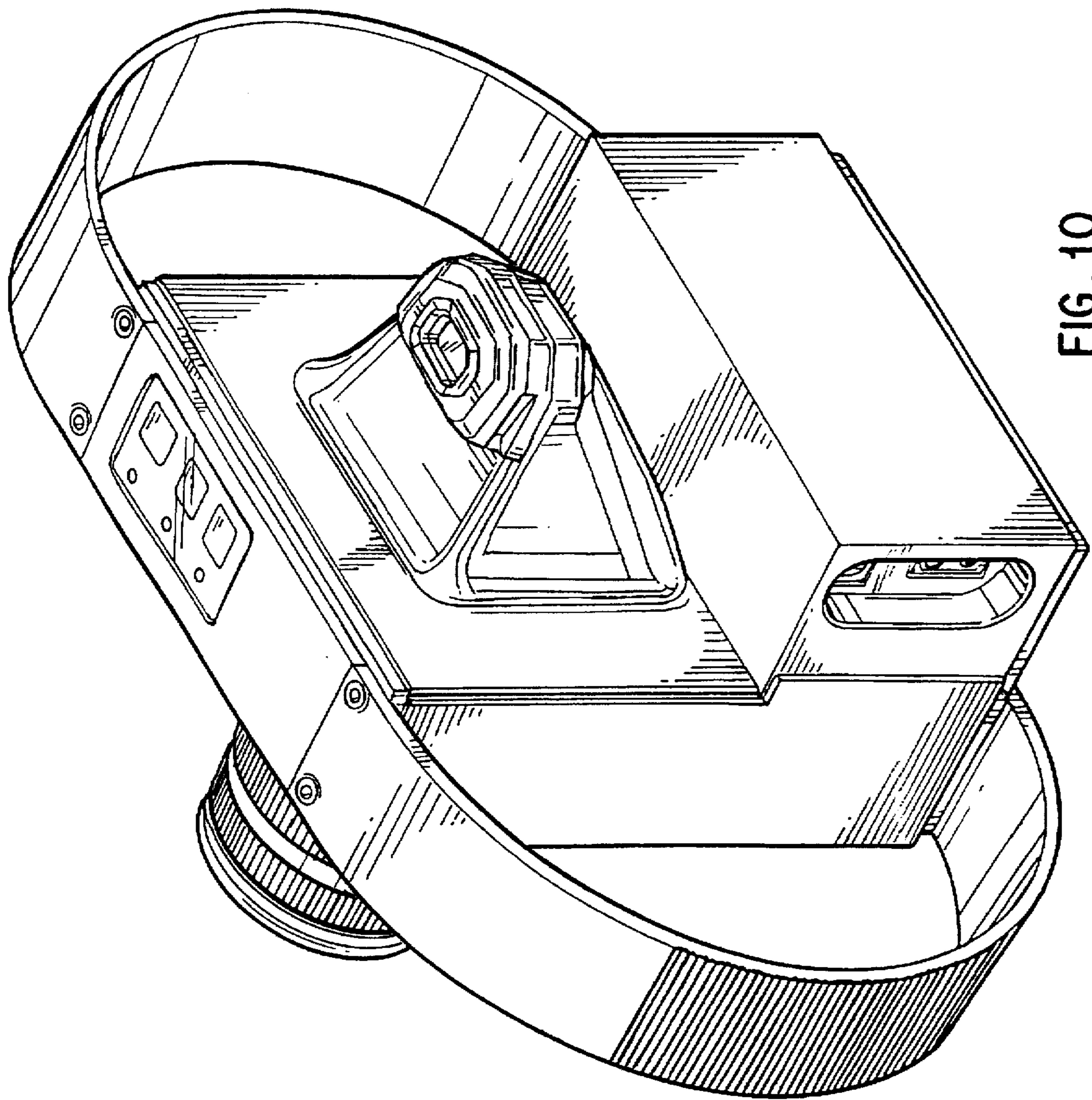


FIG. 10

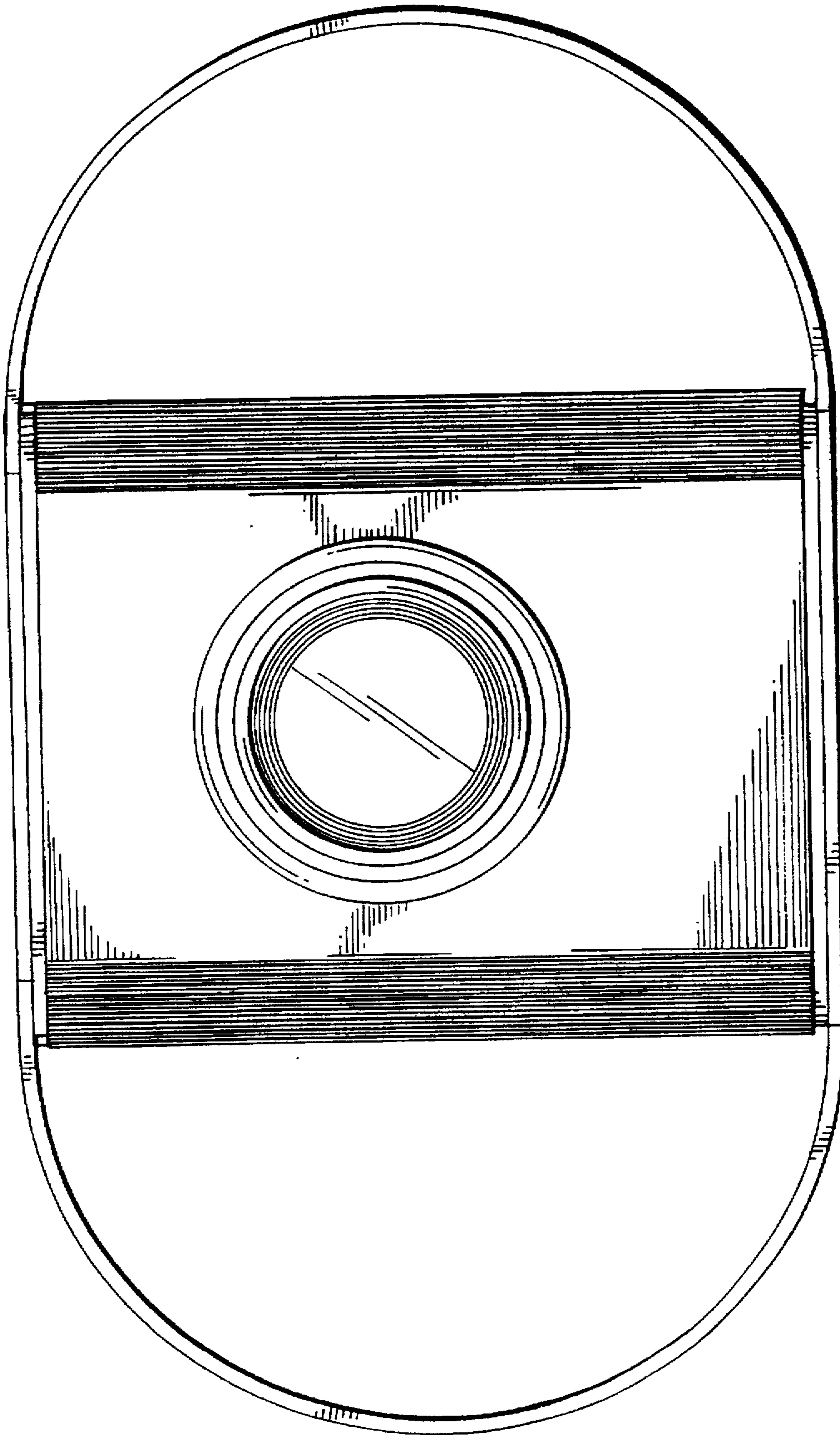


FIG. 11

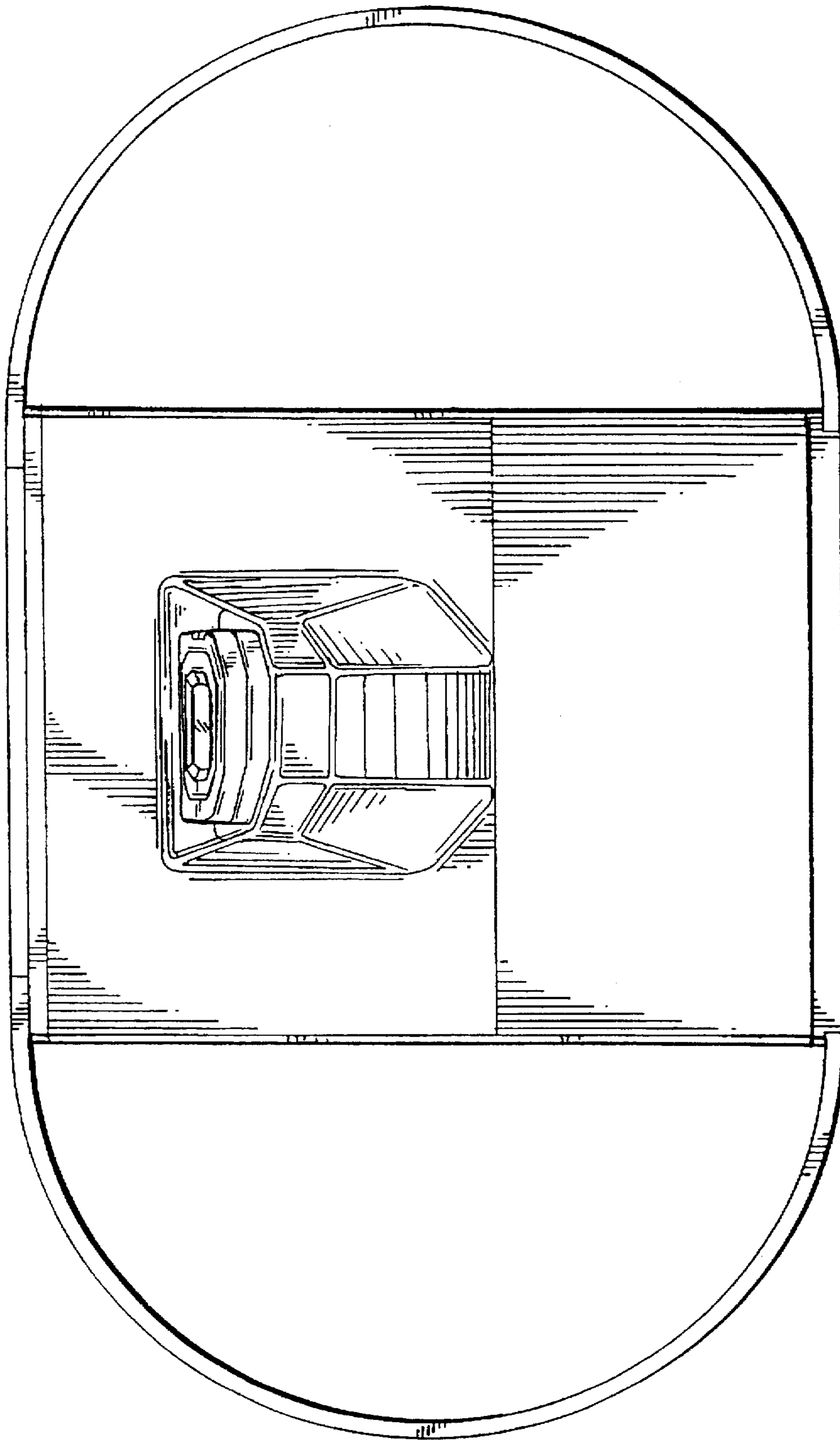


FIG. 12

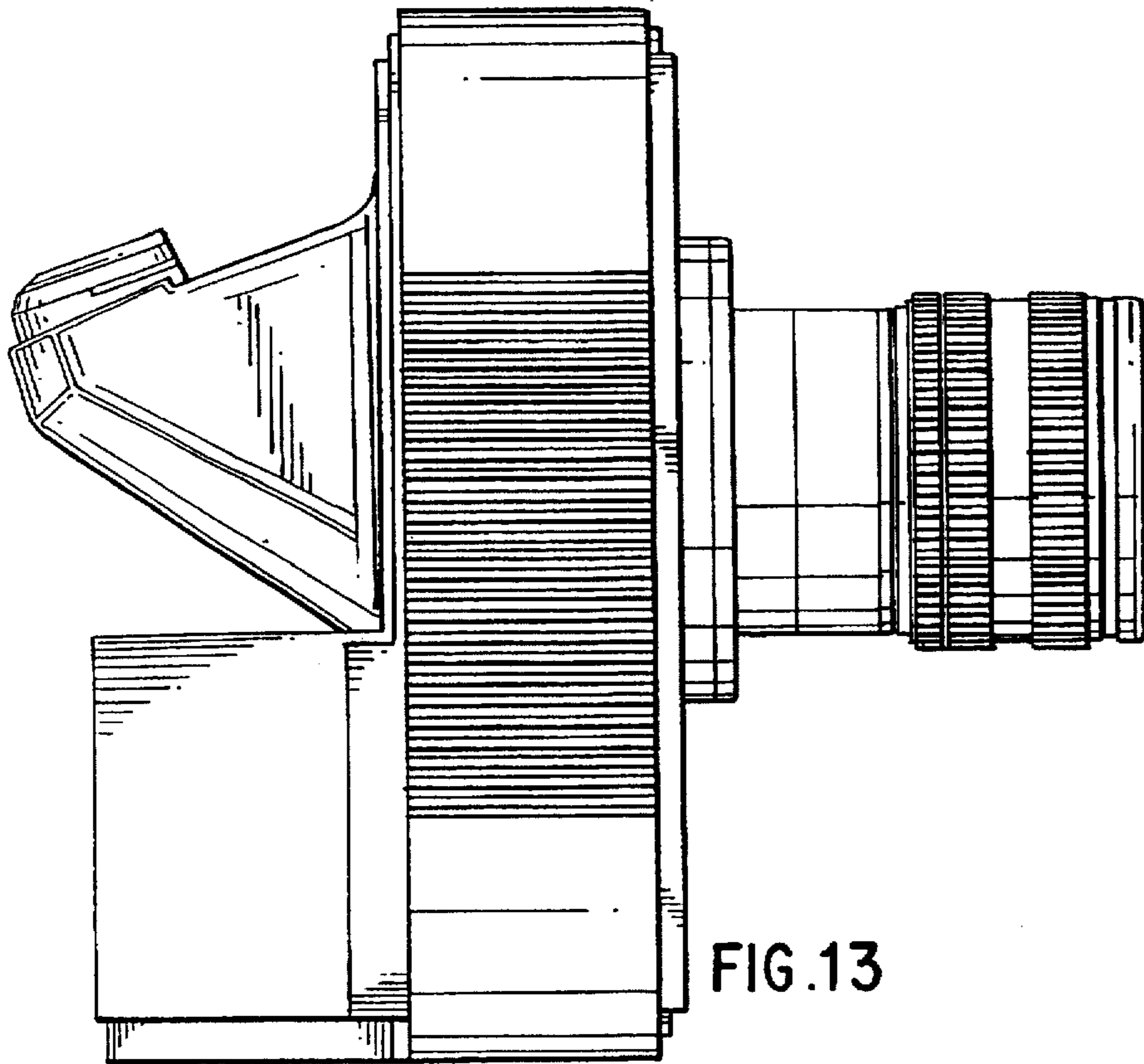


FIG. 13

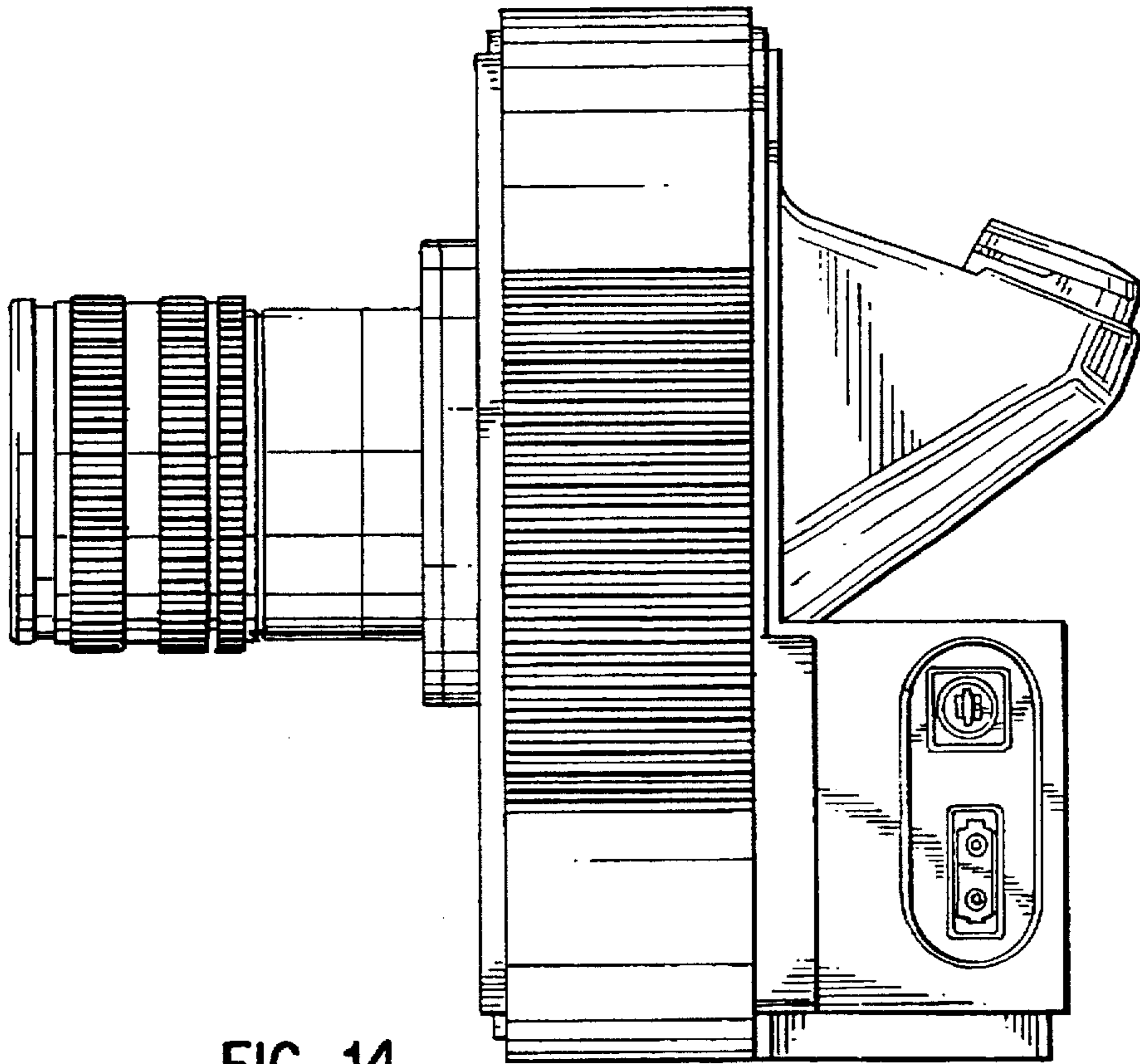


FIG. 14

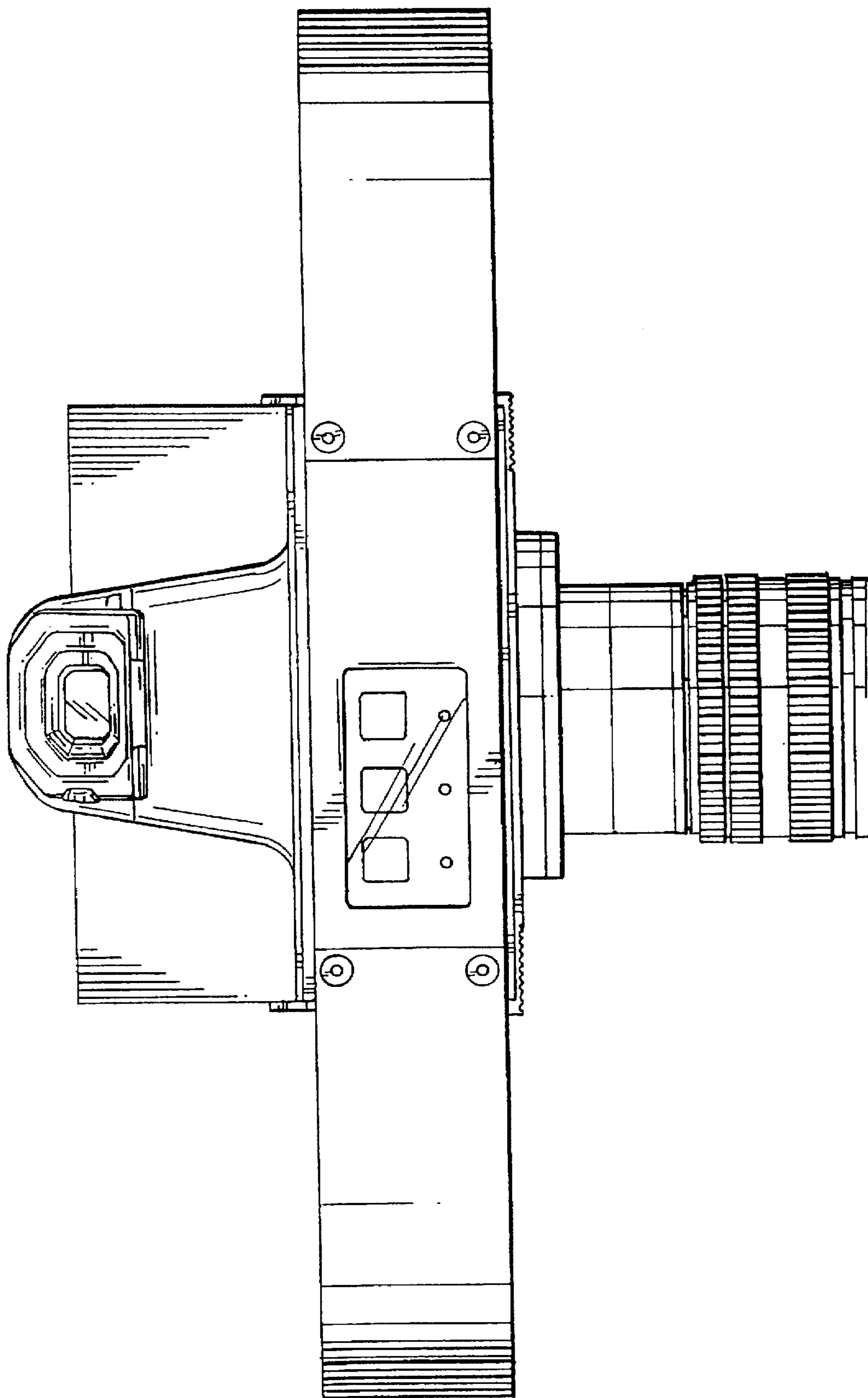


FIG. 15

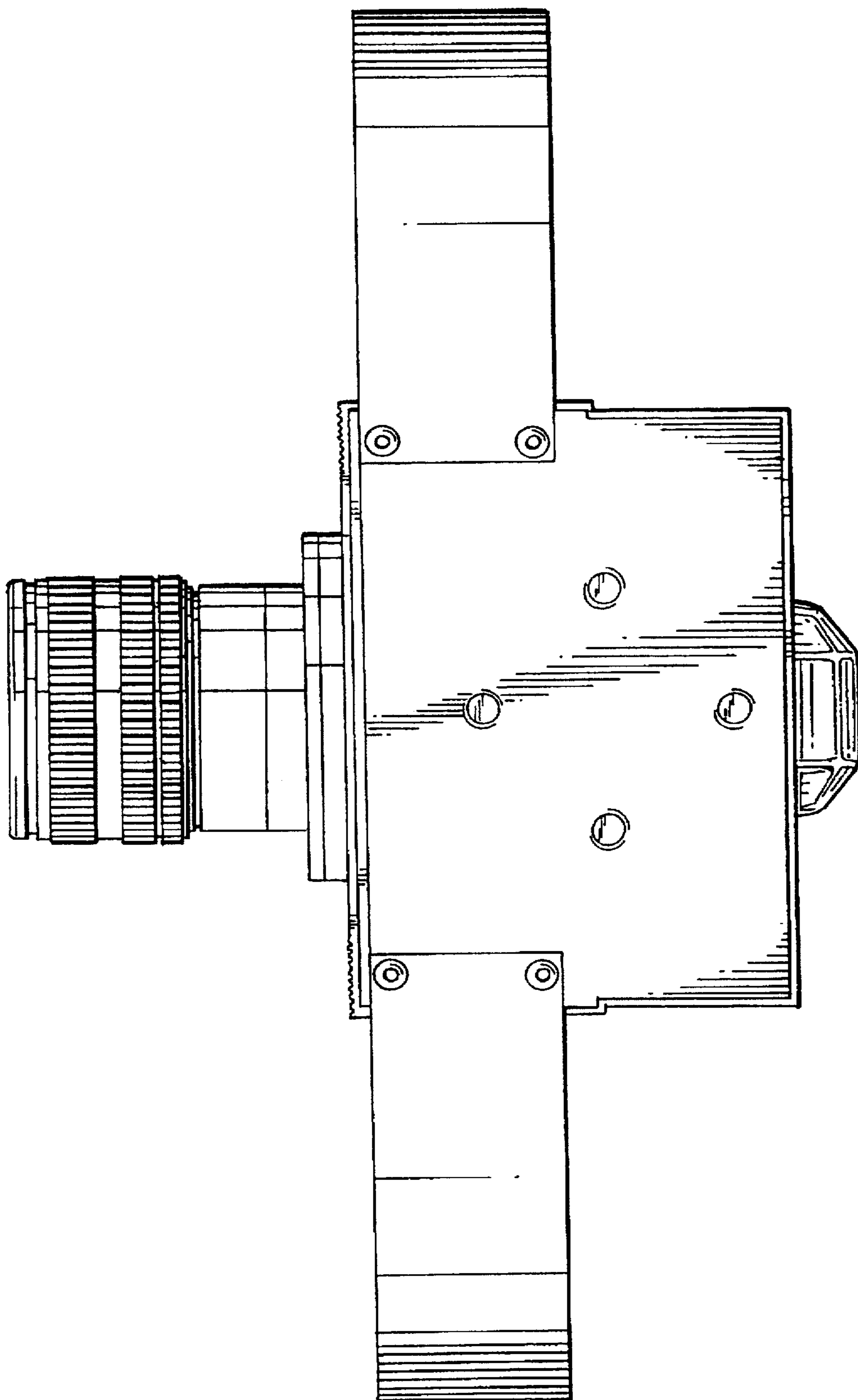


FIG. 16