

US00D391976S

United States Patent [19]

Fukuda

[11] Patent Number: **Des. 391,976**

[45] Date of Patent: ****Mar. 10, 1998**

[54] CAMERA

[75] Inventor: **Hiroyuki Fukuda**, Hino, Japan

[73] Assignee: **Olympus Optical Co., Ltd.**, Tokyo, Japan

[**] Term: **14 Years**

[21] Appl. No.: **67,579**

[22] Filed: **Mar. 11, 1997**

[30] Foreign Application Priority Data

Sep. 13, 1996 [JP] Japan 8-27597

[51] LOC (6) Cl. **16-01**

[52] U.S. Cl. **D16/212; D16/218**

[58] Field of Search D16/200-205, D16/208, 209, 211-213, 216-218; 396/448, 535-536

[56] References Cited

U.S. PATENT DOCUMENTS

- D. 257,982 1/1981 Maitani D16/212
- D. 263,056 2/1982 Hattori D16/212
- D. 305,666 1/1990 Leonard D16/209
- D. 323,336 1/1992 Moro et al. D16/212

- D. 323,521 1/1992 Obara D16/209
- 4,557,574 12/1985 Kohno et al. 396/448

FOREIGN PATENT DOCUMENTS

- 57-167016 10/1982 Japan 396/536

Primary Examiner—Philip S. Hyder
Assistant Examiner—Adir Aronovich
Attorney, Agent, or Firm—Louis Weinstein

[57] CLAIM

The ornamental design for a camera, as shown and described.

DESCRIPTION

FIG. 1 is a front, top and right side perspective view of a camera showing my new design;
 FIG. 2 is a rear, bottom and left side perspective view thereof;
 FIG. 3 is a front elevational view thereof;
 FIG. 4 is a rear elevational view thereof;
 FIG. 5 is a top plan view thereof;
 FIG. 6 is a bottom plan view thereof;
 FIG. 7 is a left side elevational view thereof;
 FIG. 8 is a right side elevational view thereof; and,
 FIG. 9 is a front, top and right side perspective view thereof, with a shell cover moved to an opened position.

1 Claim, 5 Drawing Sheets

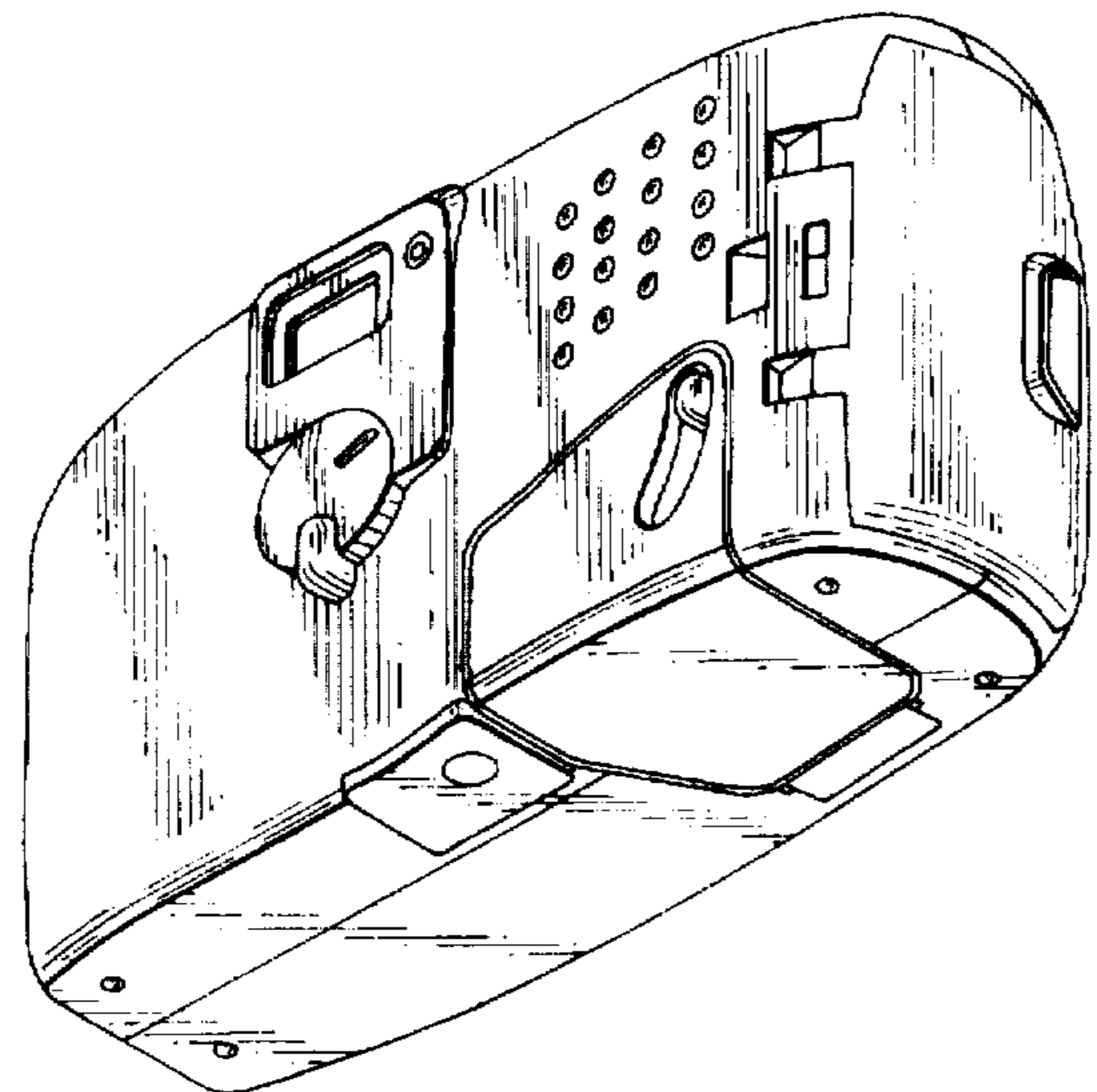
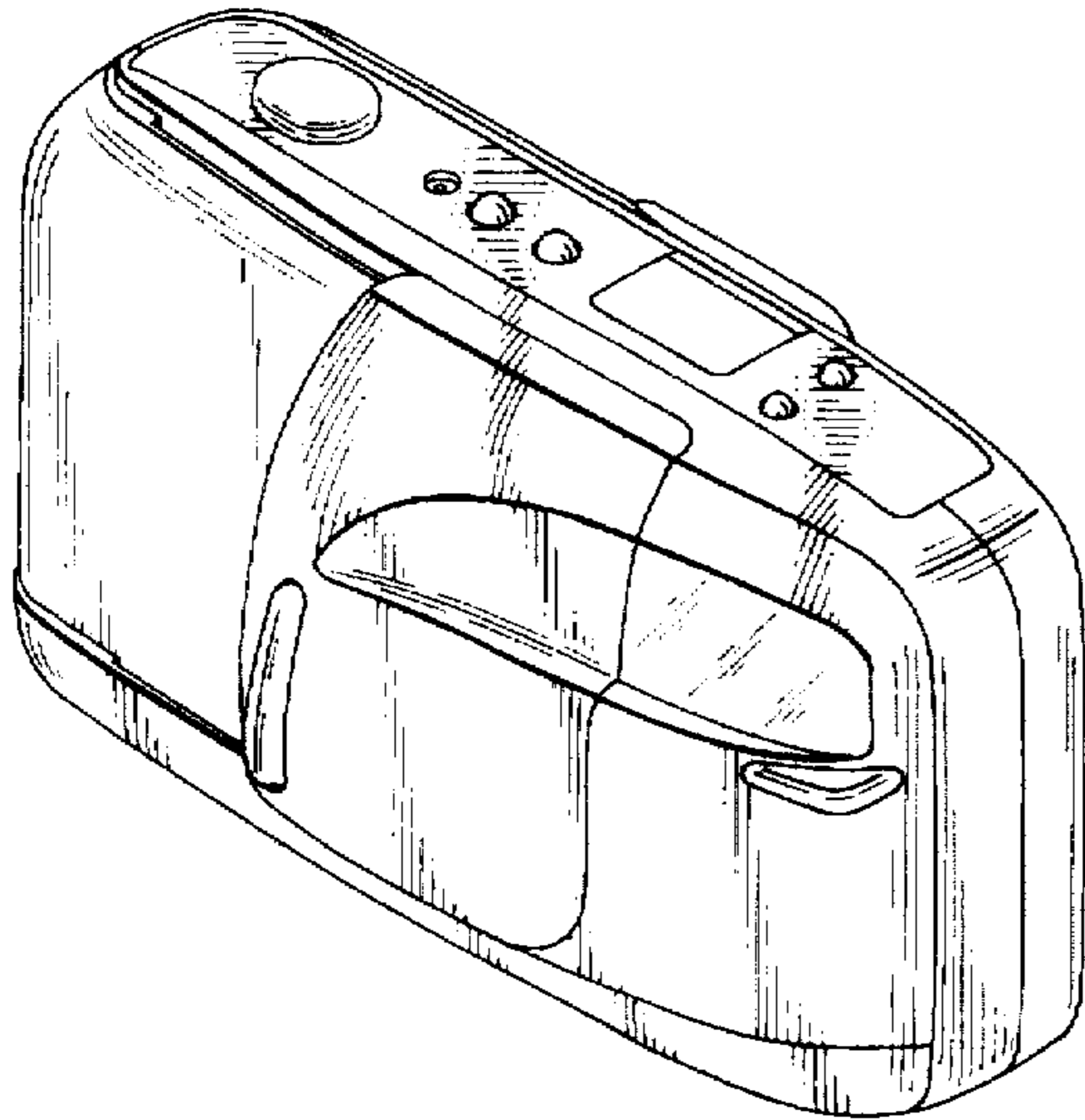


FIG. 1

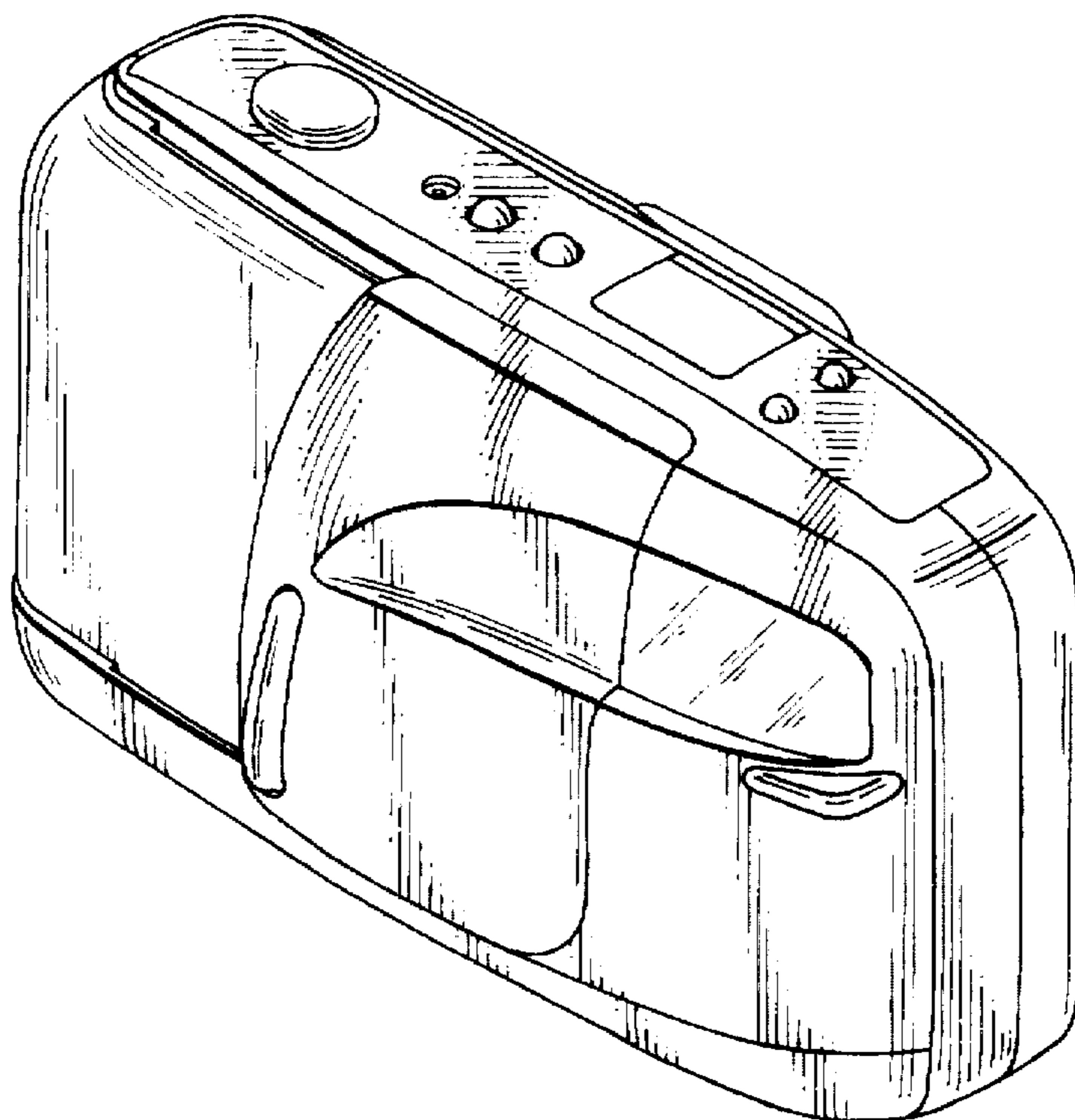


FIG. 2

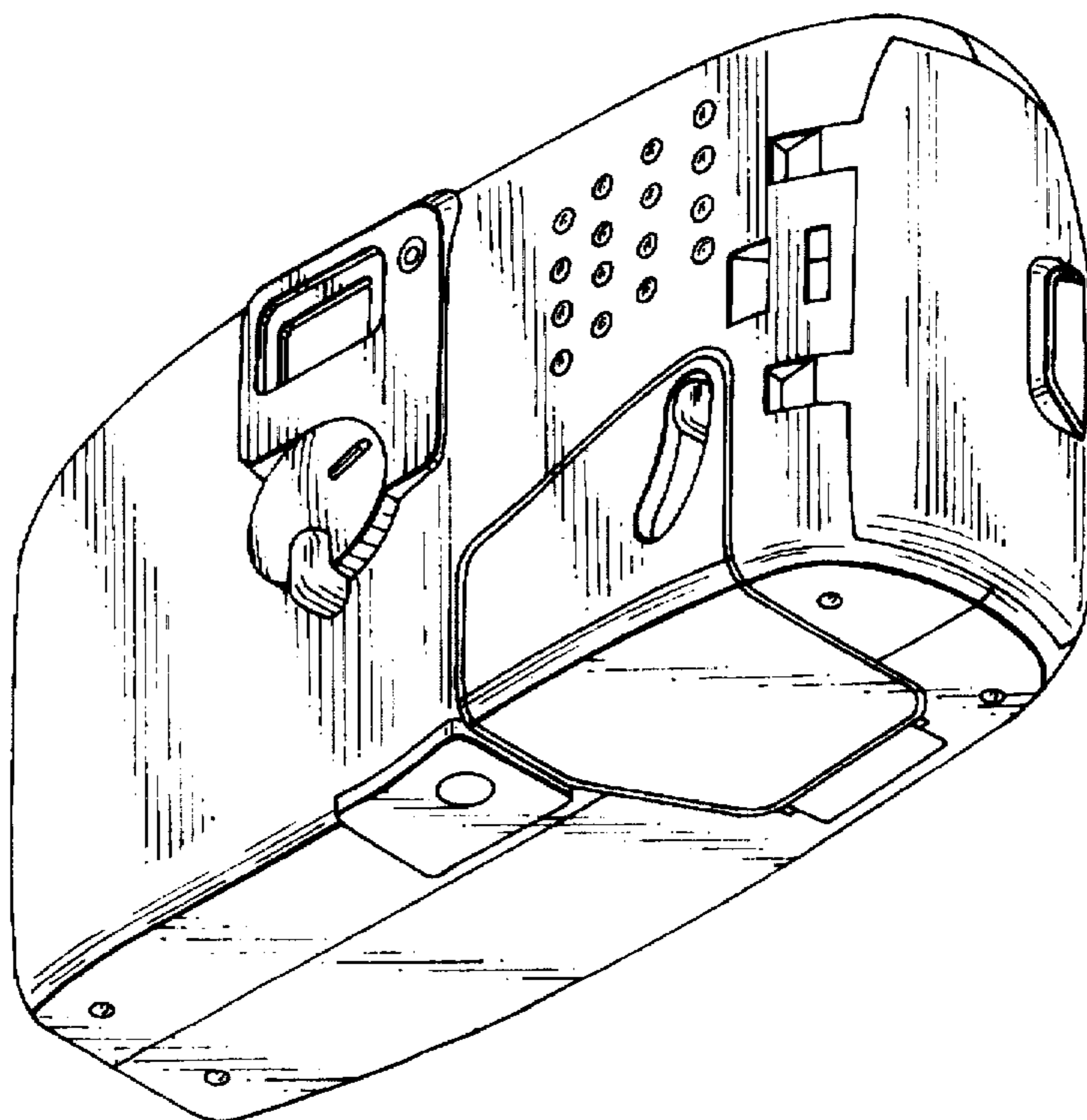


FIG.3

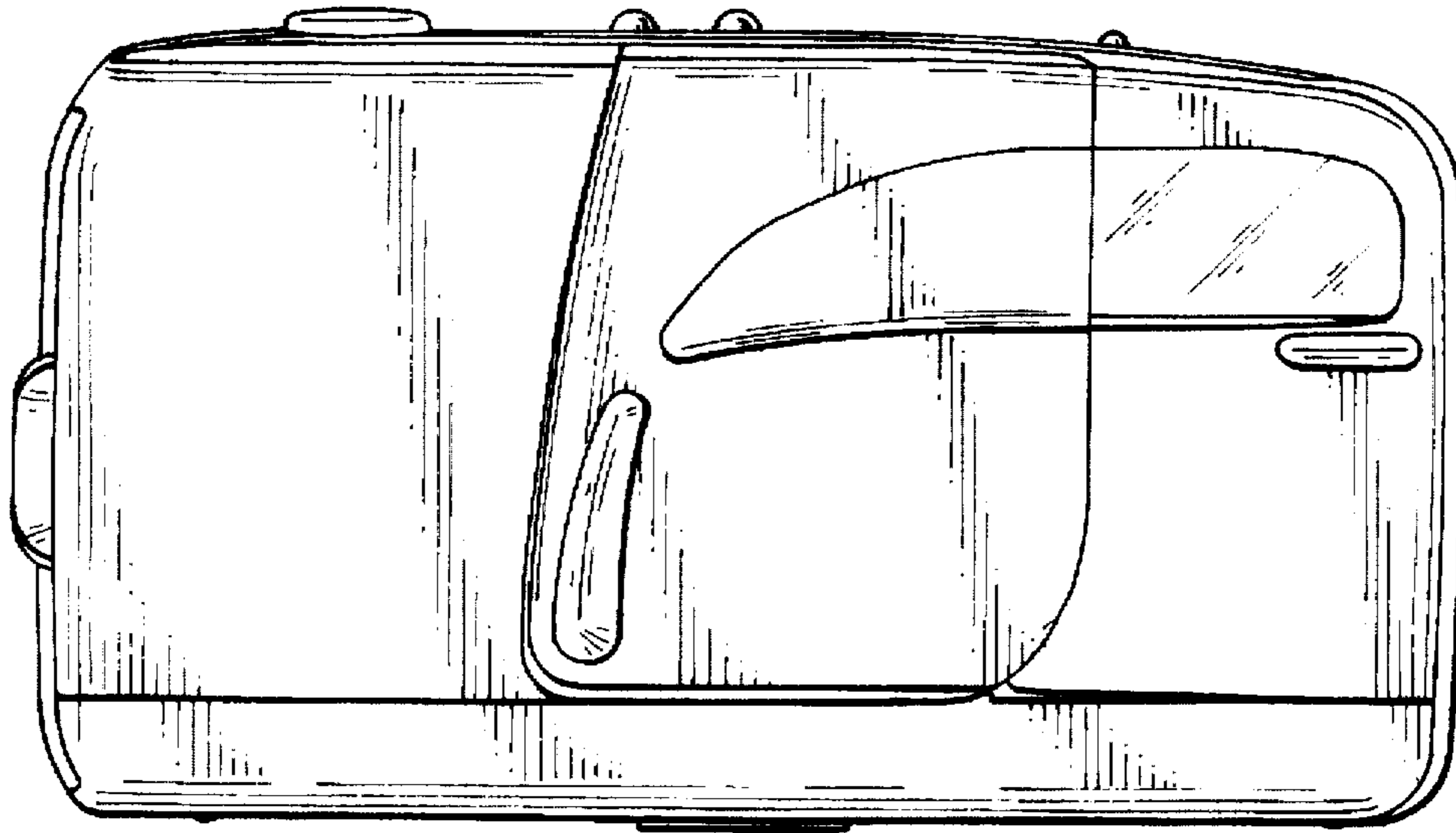


FIG.4

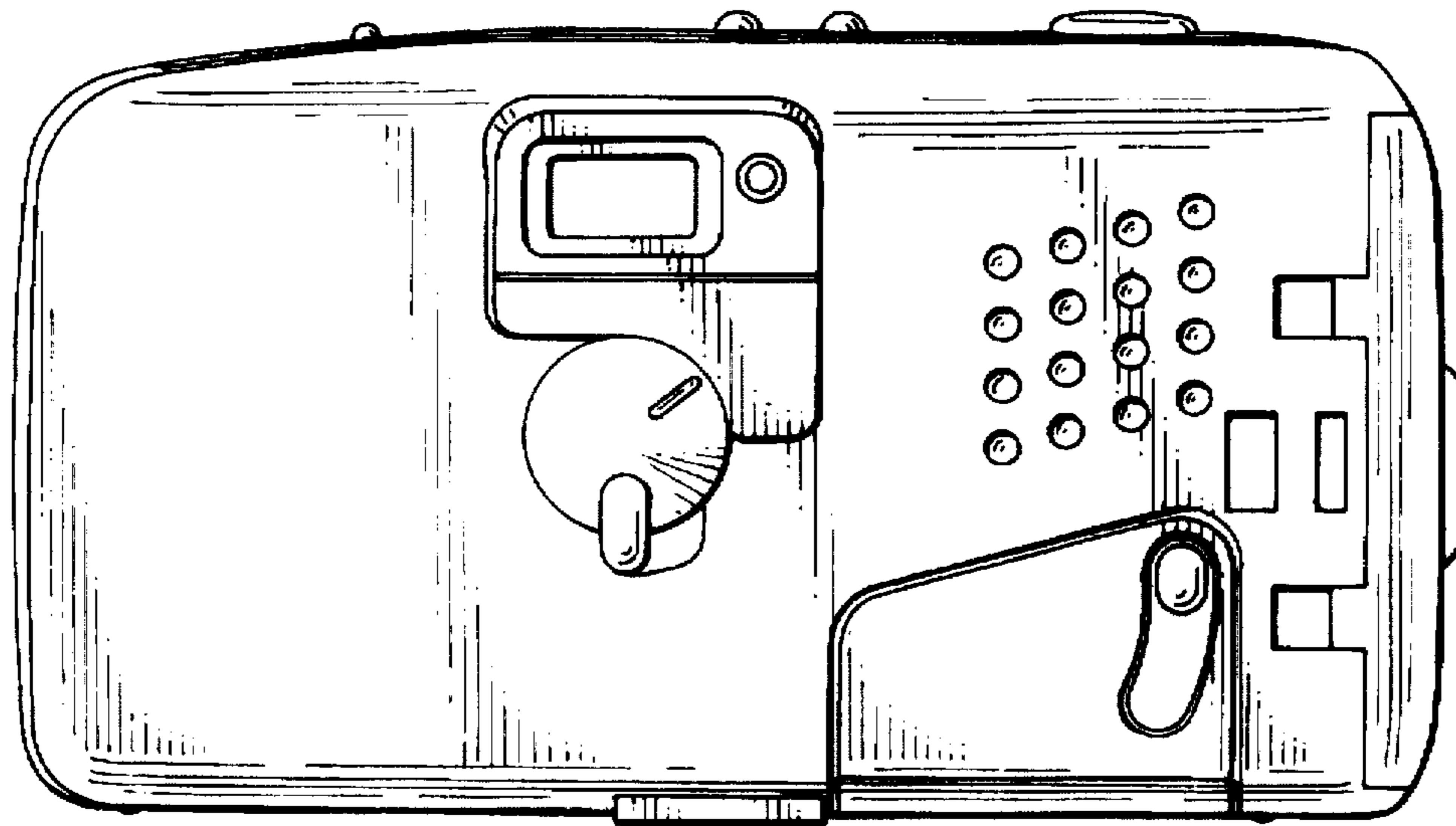


FIG. 5

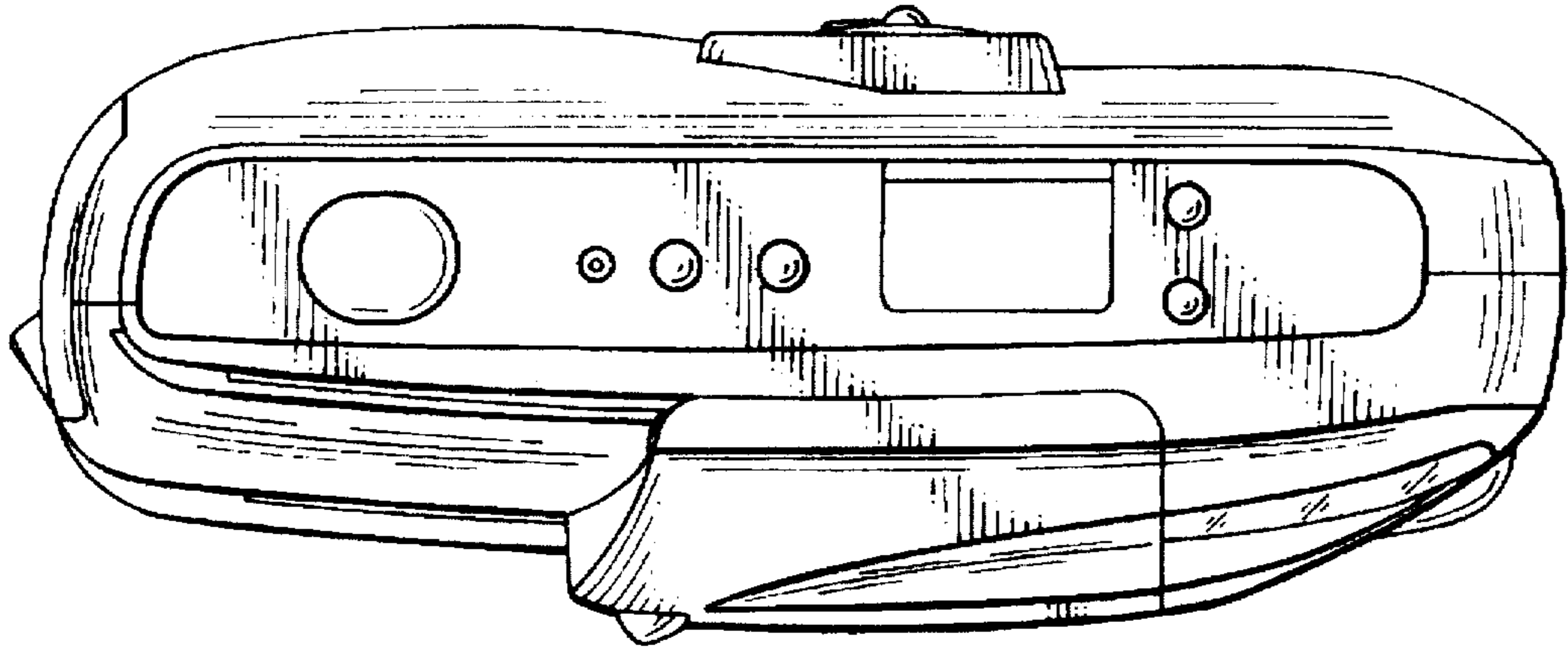


FIG. 6

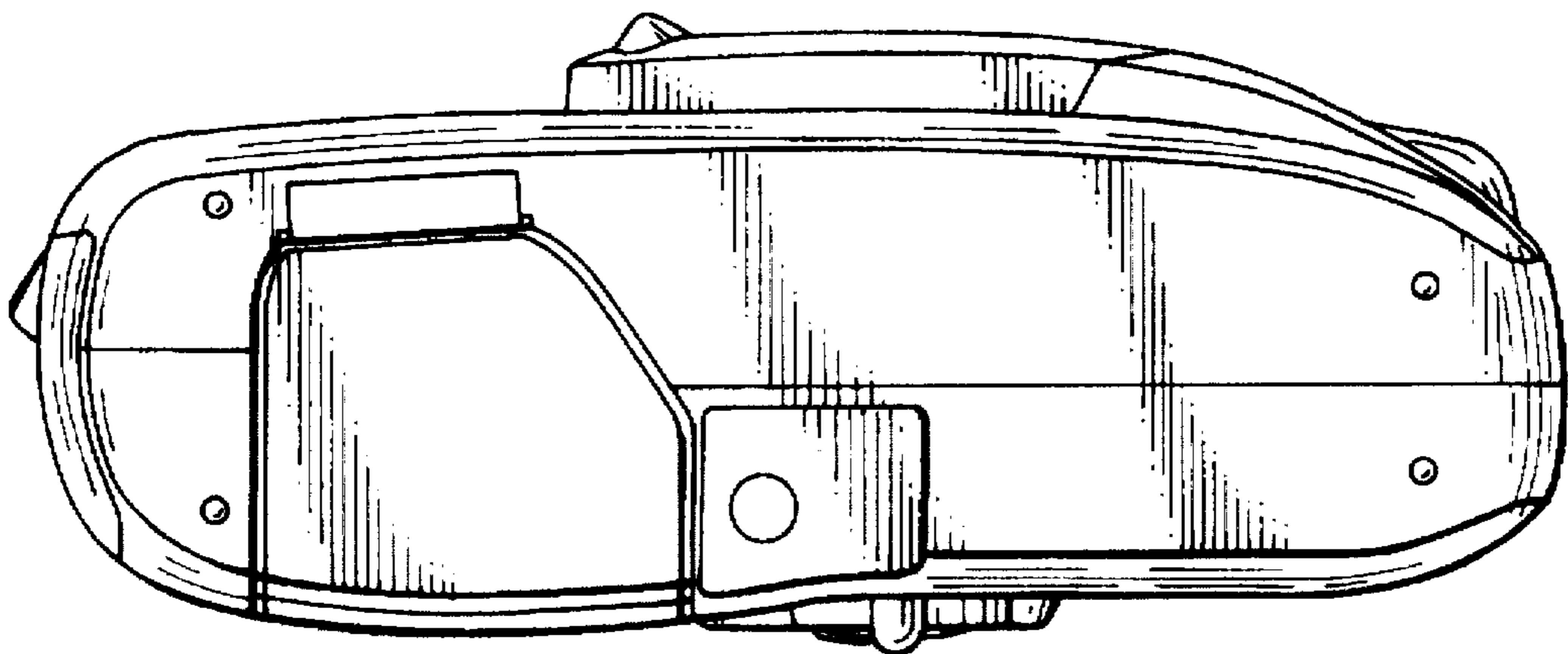


FIG. 7

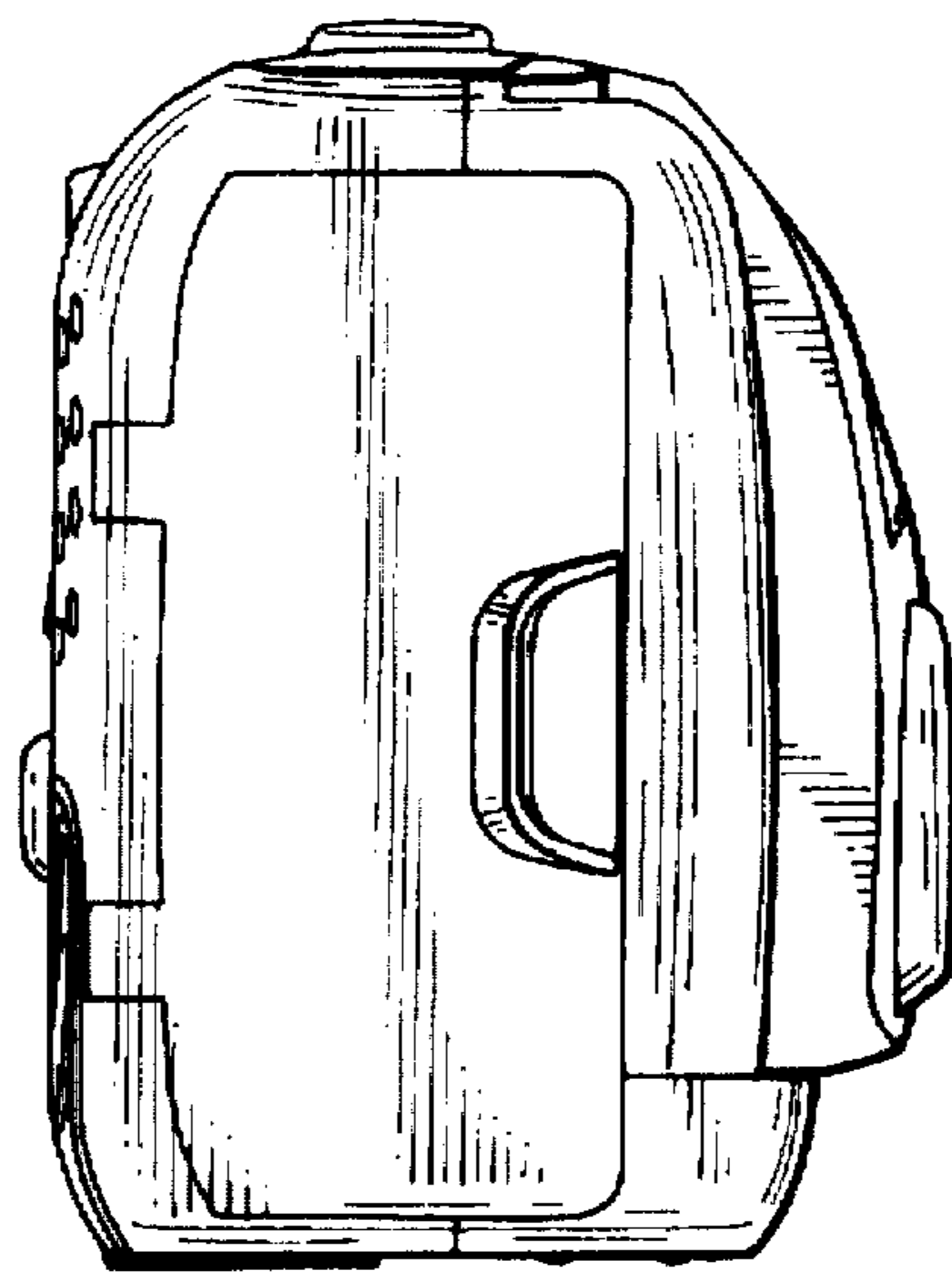


FIG. 8

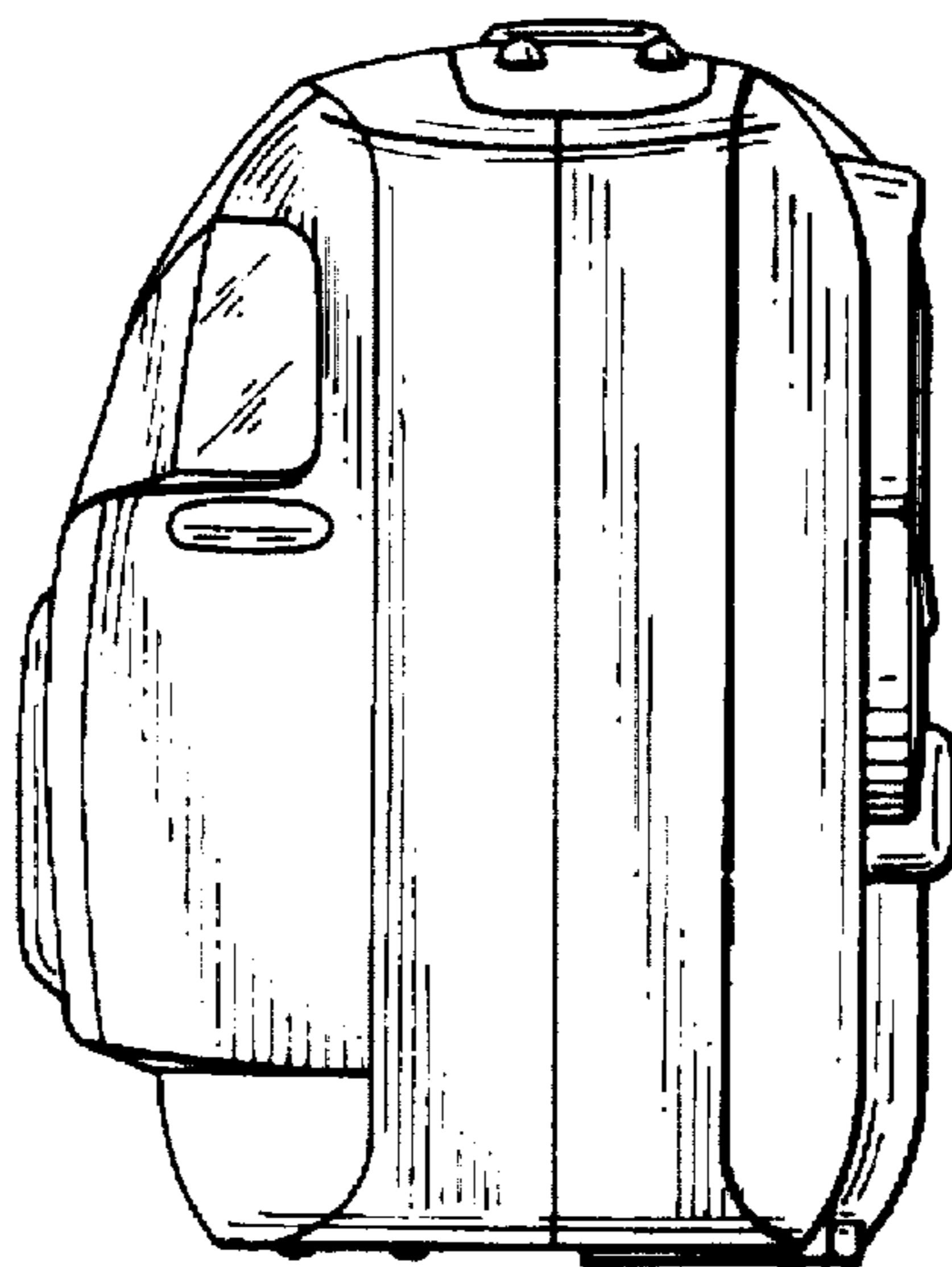


FIG. 9

