



US00D391975S

United States Patent [19]

Meinzer

[11] Patent Number: Des. 391,975

[45] Date of Patent: **Mar. 10, 1998

[54] BINOCULARS

[75] Inventor: Manfred Meinzer, Hemer, Germany

[73] Assignee: Leica Camera AG, Solms, Germany

[**] Term: 14 Years

[21] Appl. No.: 66,440

[22] Filed: Feb. 10, 1997

[30] Foreign Application Priority Data

Aug. 21, 1996 [DE] Germany 96 07 117.6

[51] LOC (6) Cl. 16-06

[52] U.S. Cl. D16/133

[58] Field of Search D6/132, 133; 359/408, 359/409, 413, 414, 418, 419

[56] References Cited

U.S. PATENT DOCUMENTS

D. 195,146	4/1963	Jensen	D16/133
D. 246,653	12/1977	Tomatsuki	D16/133
D. 287,369	12/1986	Janke et al.	D16/133
D. 299,724	2/1989	Aoki	D16/133
D. 307,154	4/1990	Shishikura	D16/133
D. 346,175	4/1994	Chan	D16/133
D. 361,777	8/1995	Akabane et al.	D16/133
D. 367,662	3/1996	Chan	D16/133
4,087,153	5/1978	Hengist	359/416
4,186,992	2/1980	Kamakura	359/416
4,329,013	5/1982	Hongst	359/418
5,231,535	7/1993	Peters et al.	359/418 X

OTHER PUBLICATIONS

Yak Works 1982-1983 p. 27 Minibinocular.

American Rifleman Nov. 1985 p. 86 Leitz top right.

Primary Examiner—Paula A. Mortimer

Attorney, Agent, or Firm—Evenson, McKeown, Edwards & Lenahan P.L.L.C

[57] CLAIM

The ornamental design for binoculars, as shown.

DESCRIPTION

FIG. 1 is a top plan view of binoculars embodying my new design;

FIG. 2 is a bottom view of the binoculars of FIG. 1;

FIG. 3 is a right side view of the binoculars of FIG. 1;

FIG. 4 is a left side view of the binoculars of FIG. 1;

FIG. 5 is a front end view of the binoculars of FIG. 1;

FIG. 6 is a rear view of the binoculars of FIG. 1;

FIG. 7 is a top view of the binoculars of FIG. 1 in the folded position;

FIG. 8 is a bottom view of the binoculars of FIG. 1 in the folded position;

FIG. 9 is a front perspective view of the binoculars of FIG. 1;

FIG. 10 is a rear perspective view of the binoculars of FIG. 1;

FIG. 11 is a top view of another binoculars embodying my new design;

FIG. 12 is a bottom view of the binoculars of FIG. 11;

FIG. 13 is a right side view of the binoculars of FIG. 11;

FIG. 14 is a left side view of the binoculars of FIG. 11;

FIG. 15 is a front end view of the binoculars of FIG. 11;

FIG. 16 is a rear view of the binoculars of FIG. 11;

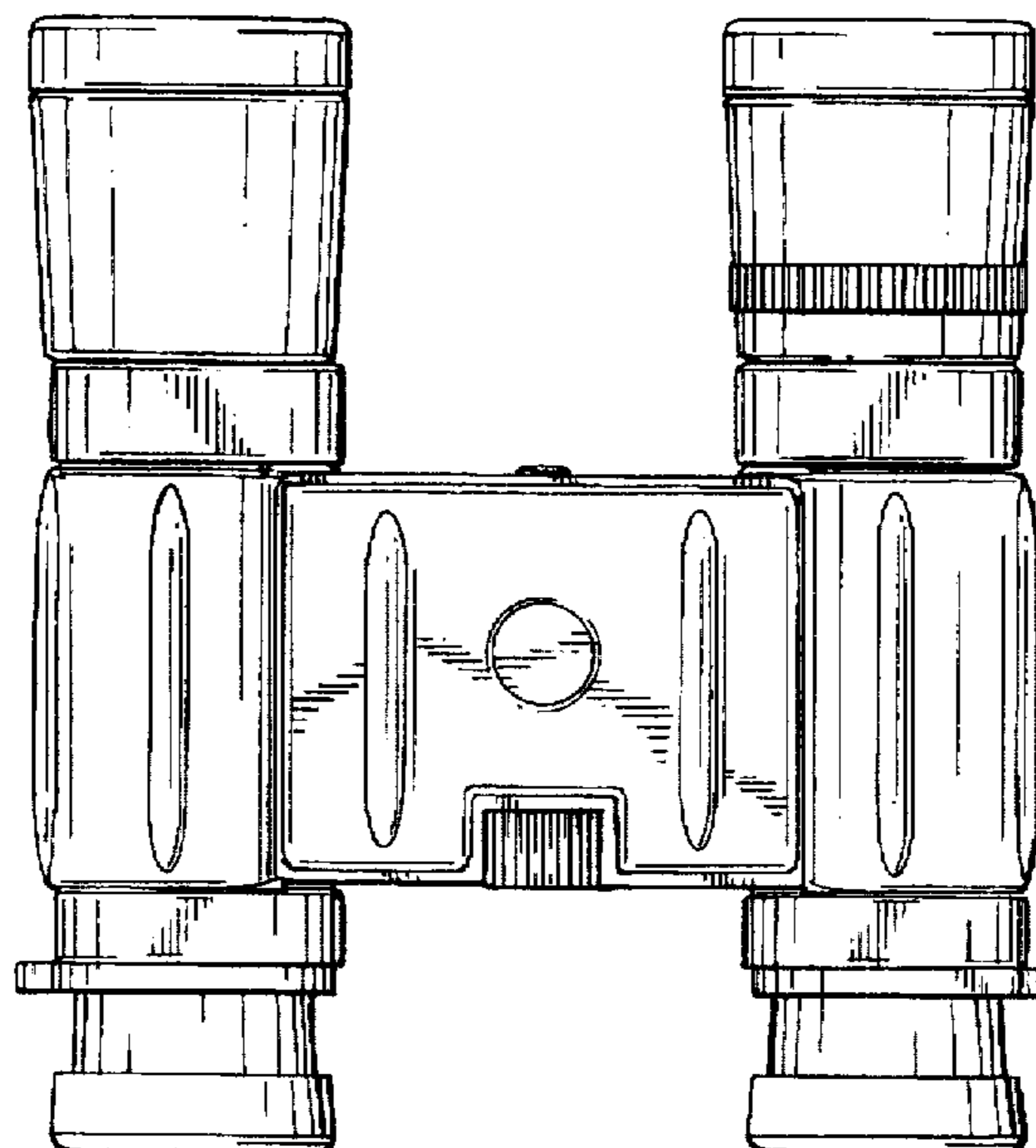
FIG. 17 is a top view of the binoculars of FIG. 11 in the folded position;

FIG. 18 is a bottom view of the binoculars of FIG. 11 in the folded position;

FIG. 19 is a front perspective view of the binoculars of FIG. 11; and,

FIG. 20 is a rear perspective view of the binoculars of FIG. 11.

1 Claim, 12 Drawing Sheets



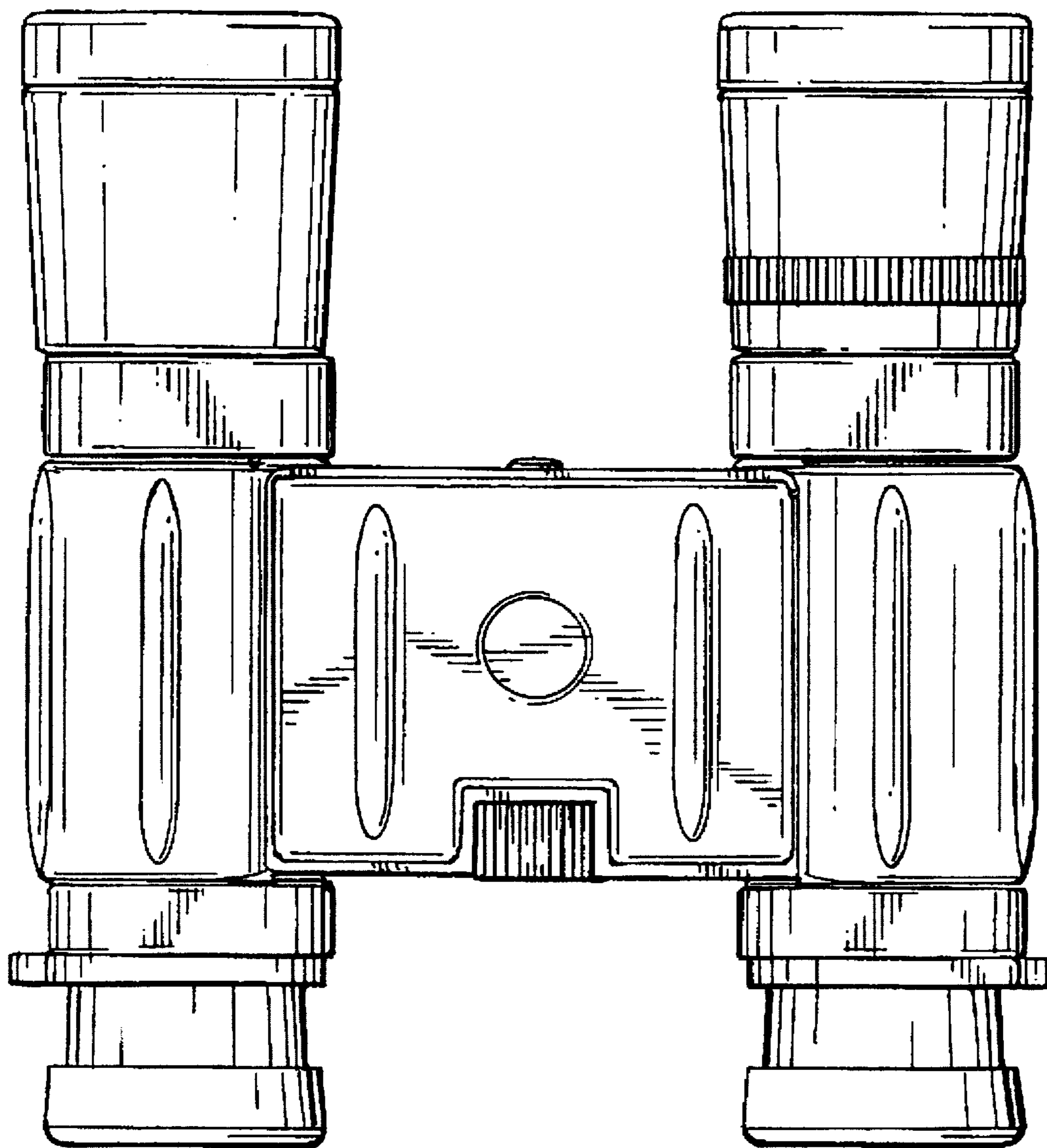


FIG. 1

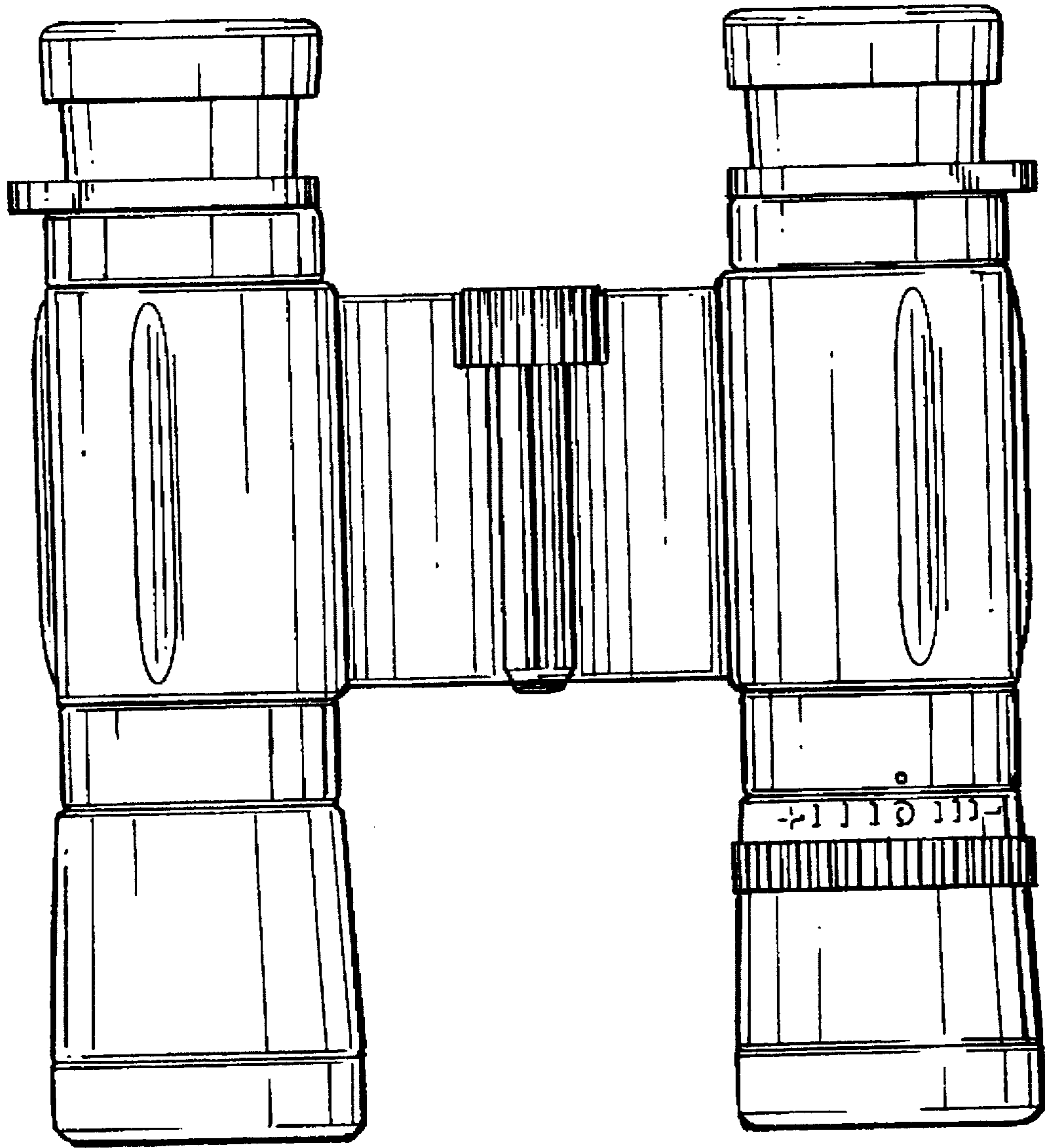


FIG. 2

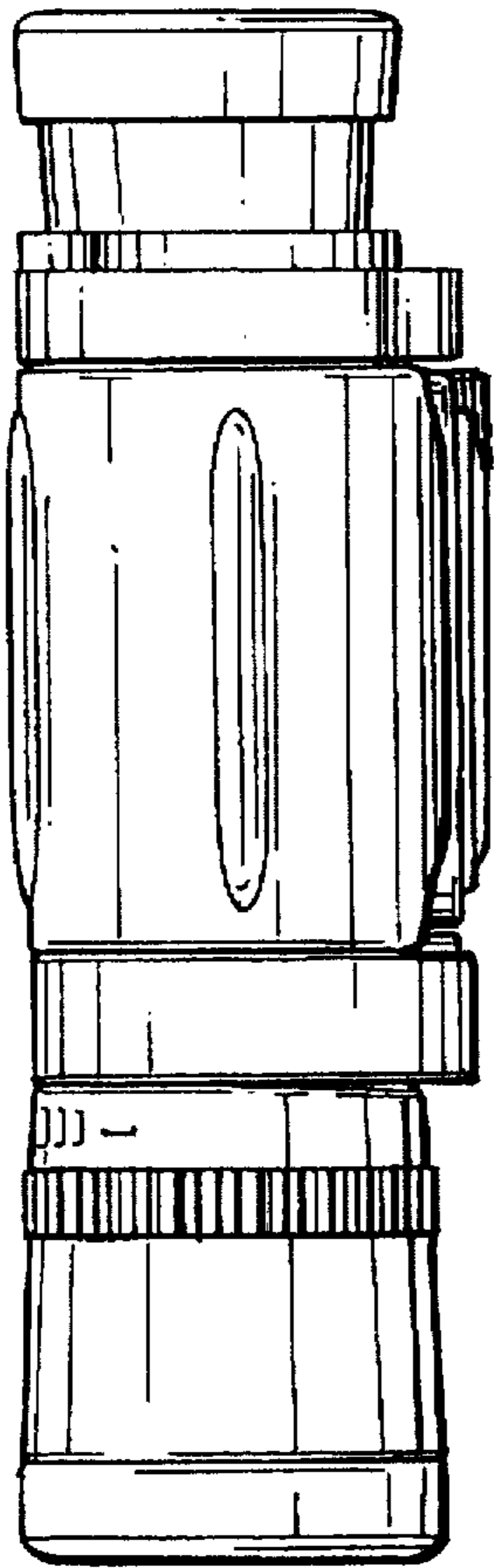


FIG. 3

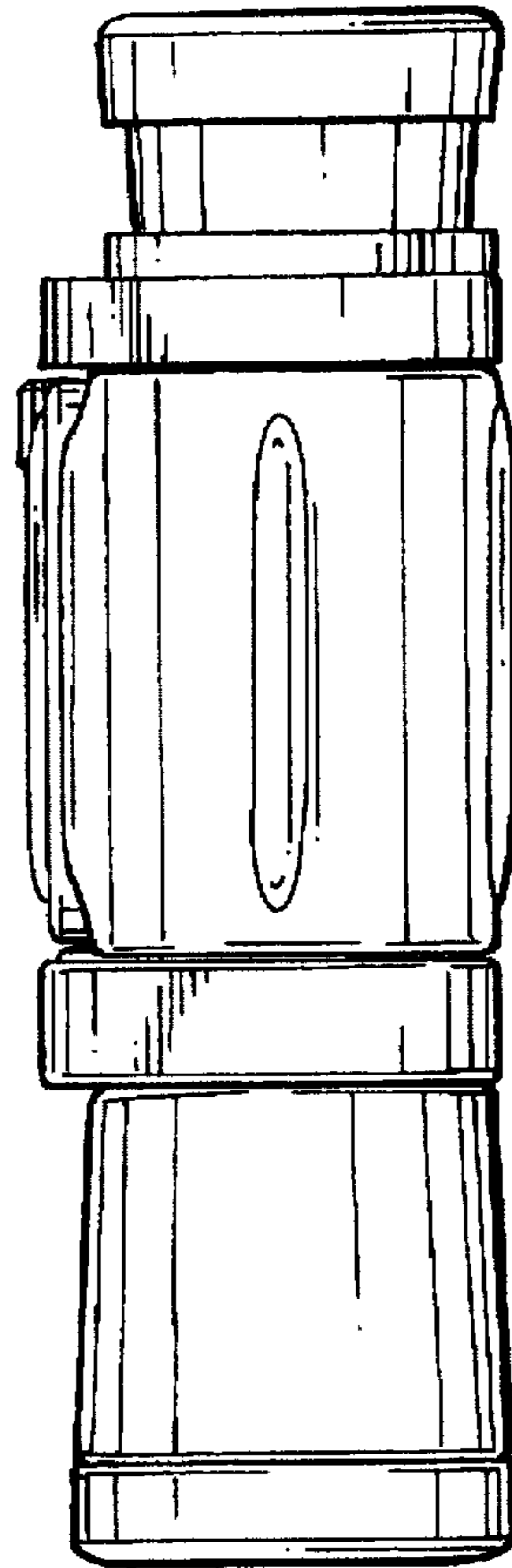


FIG. 4

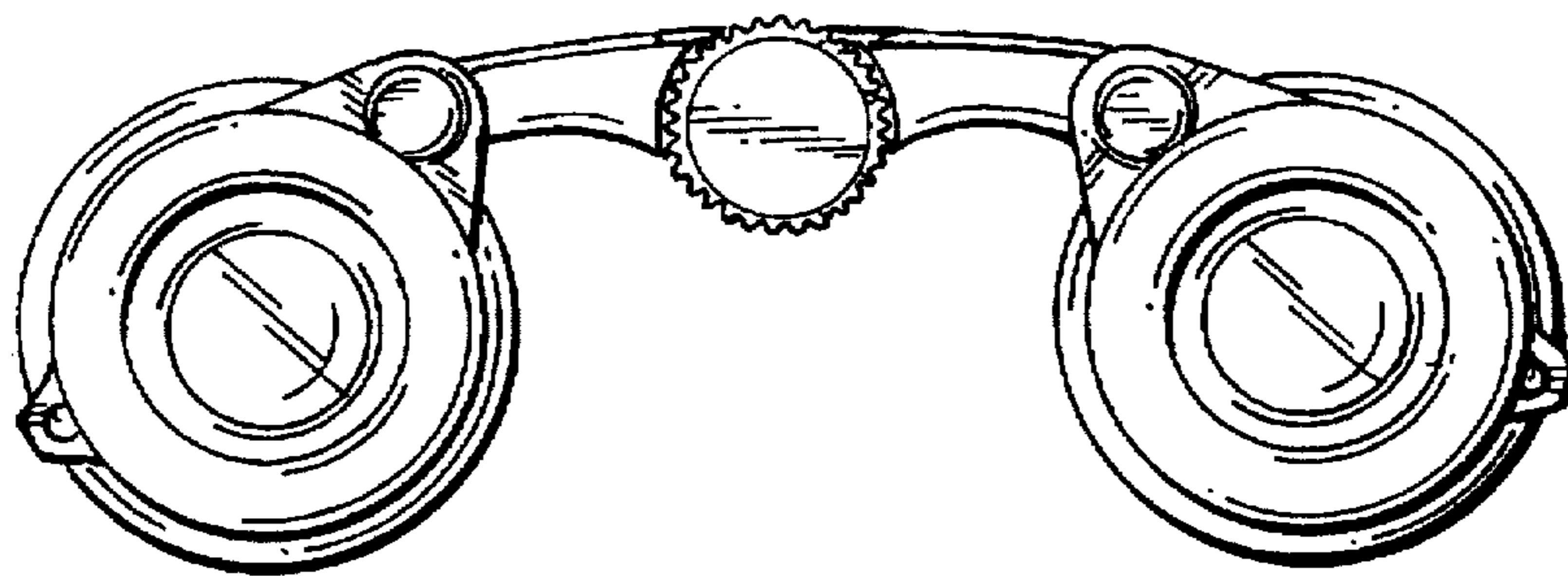


FIG. 5

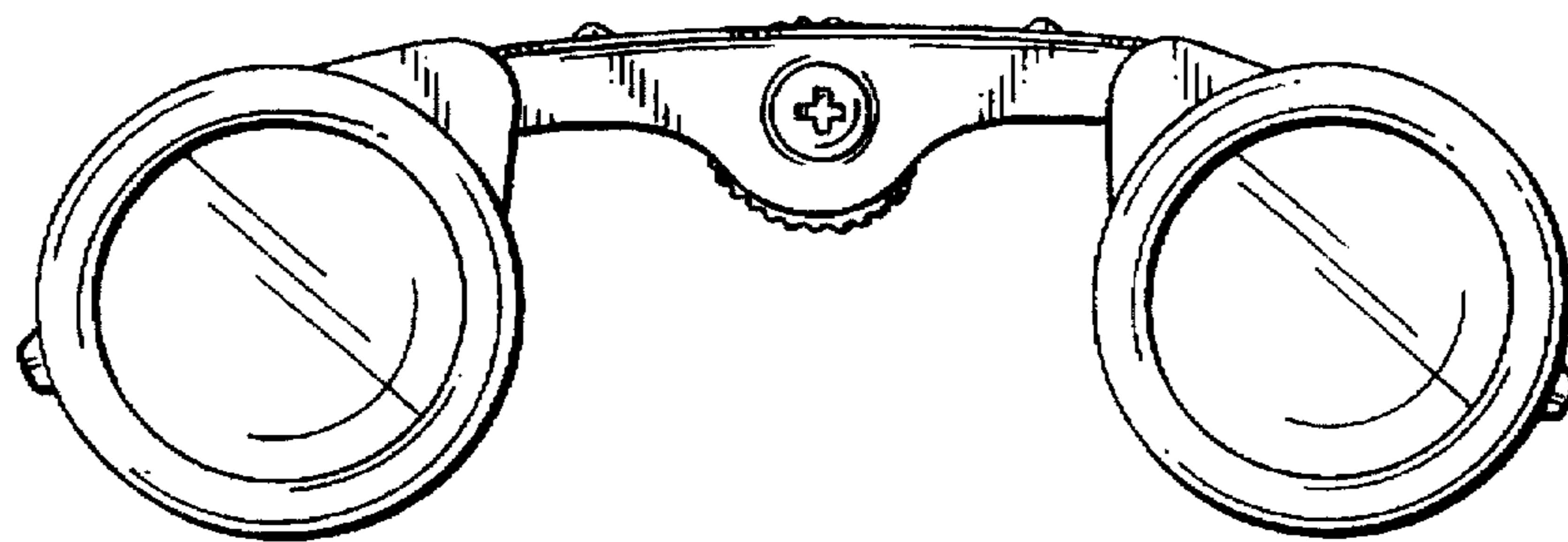


FIG. 6

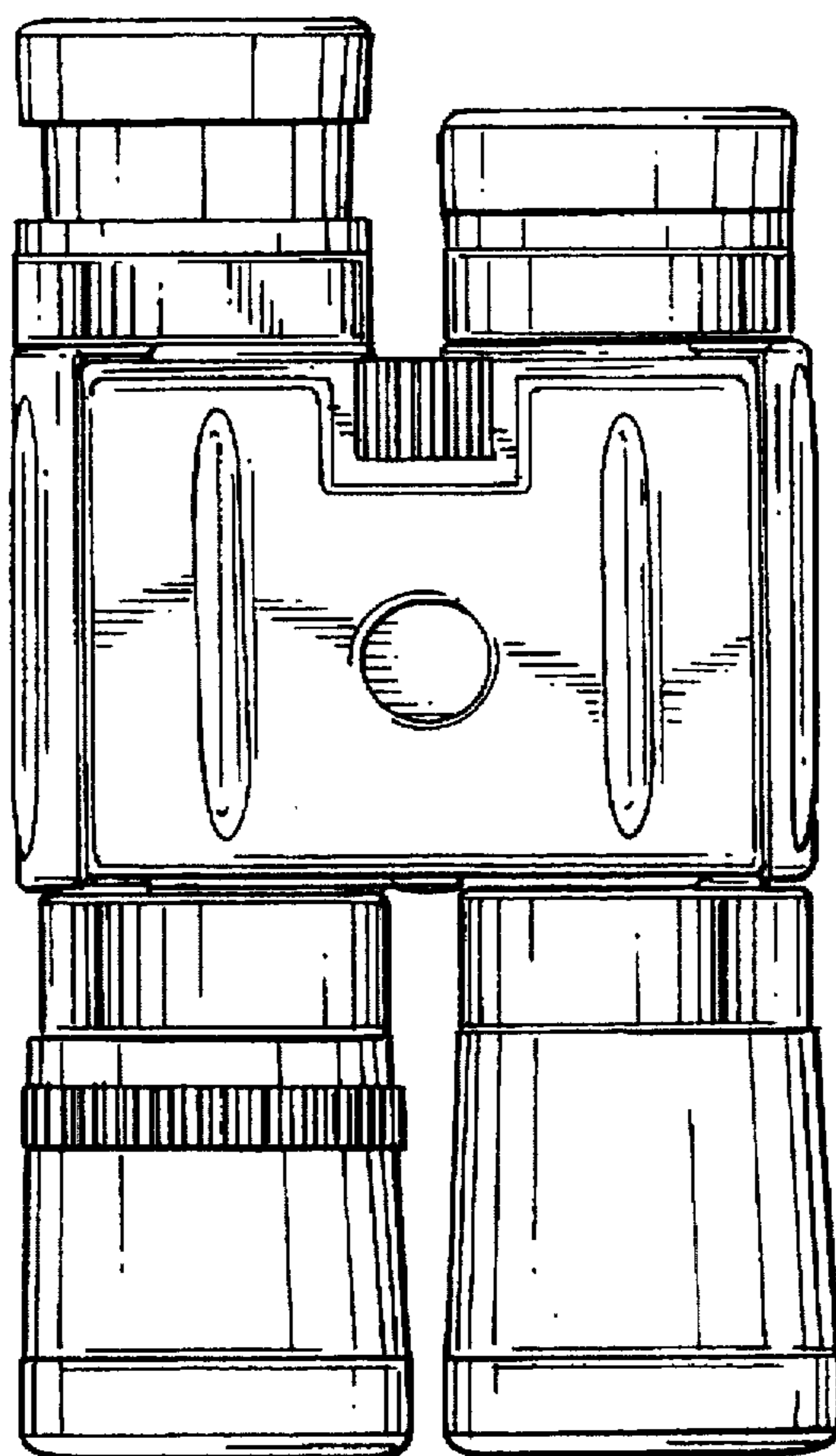


FIG. 7

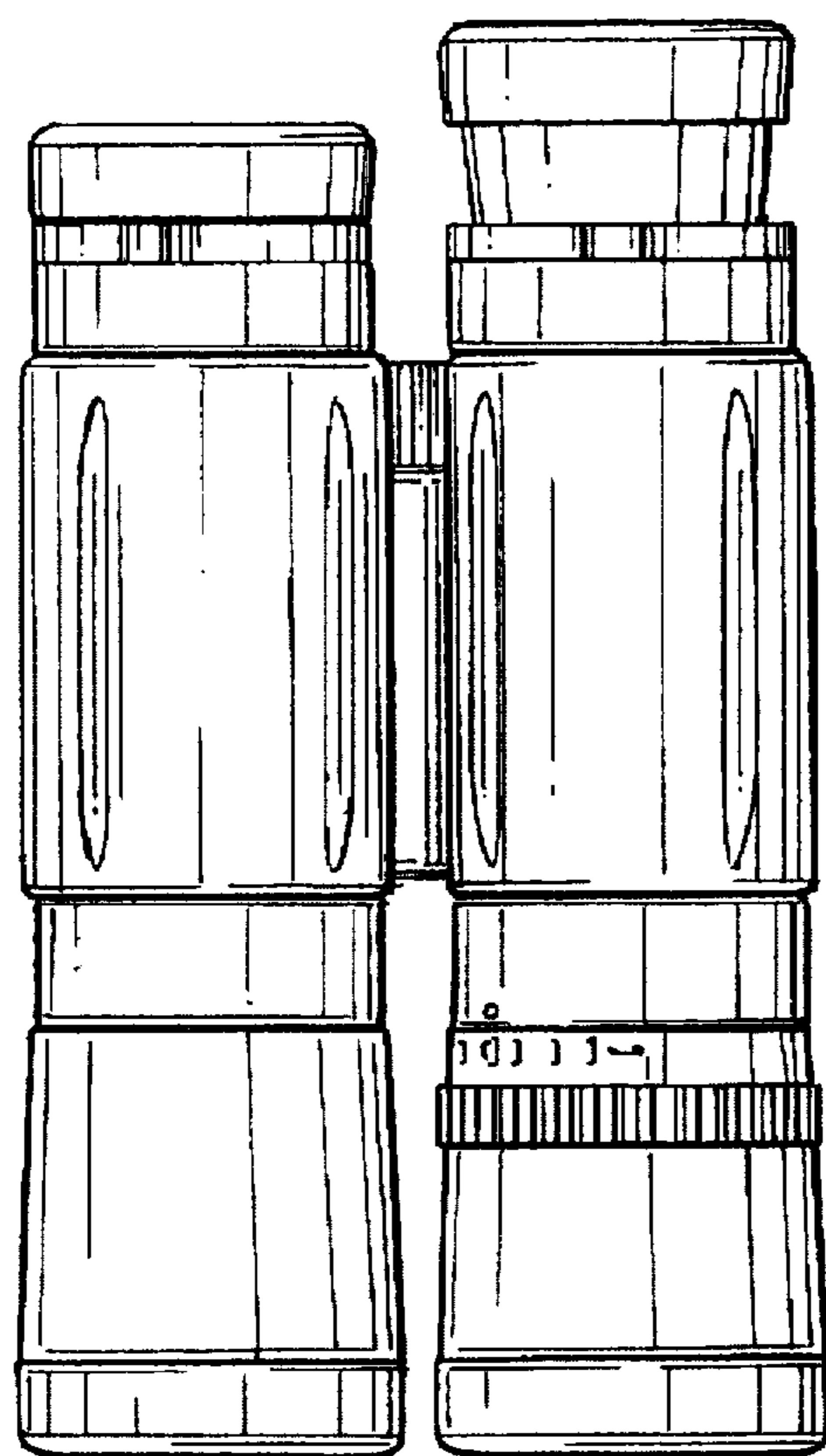


FIG. 8

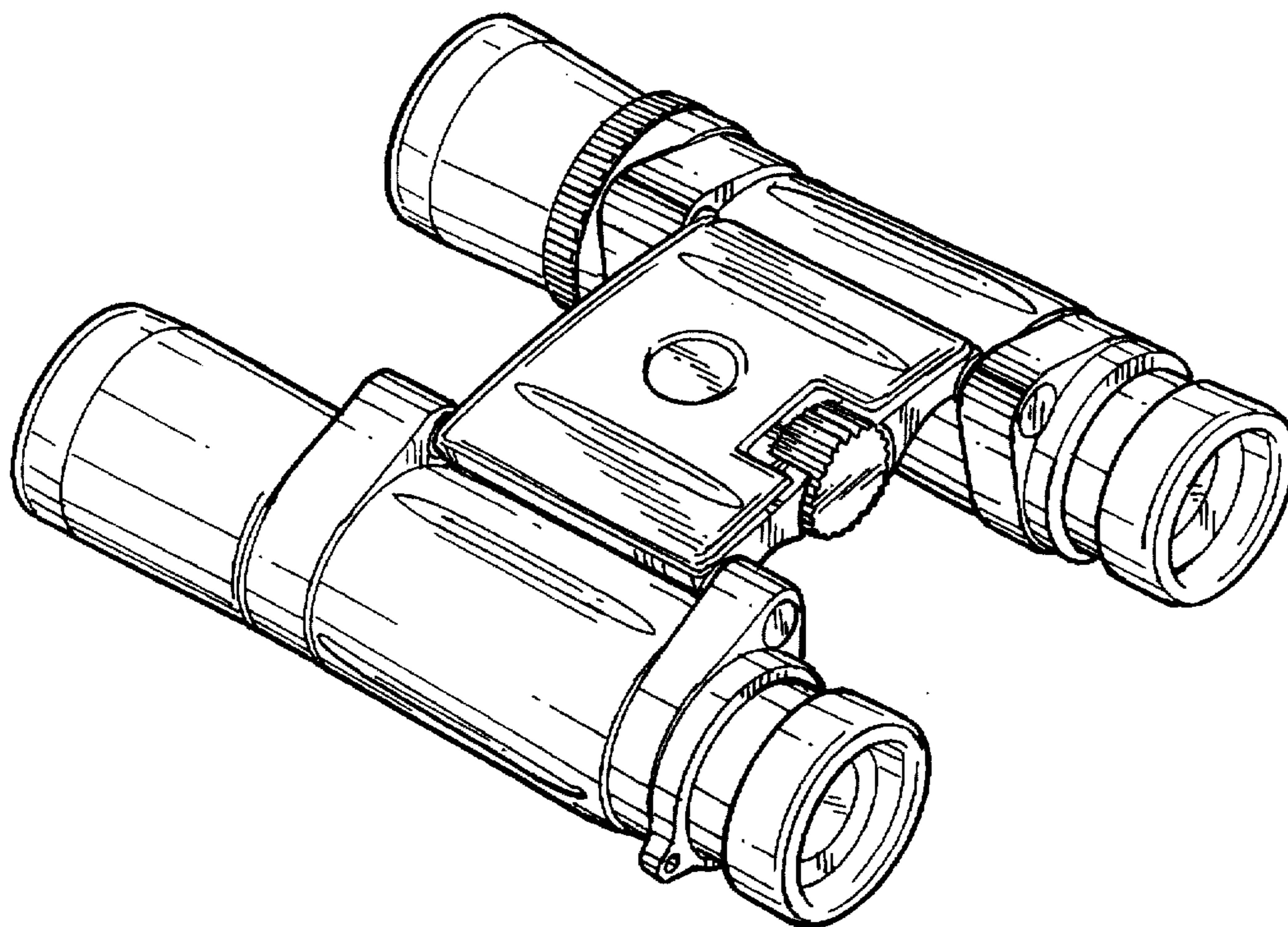


FIG. 9

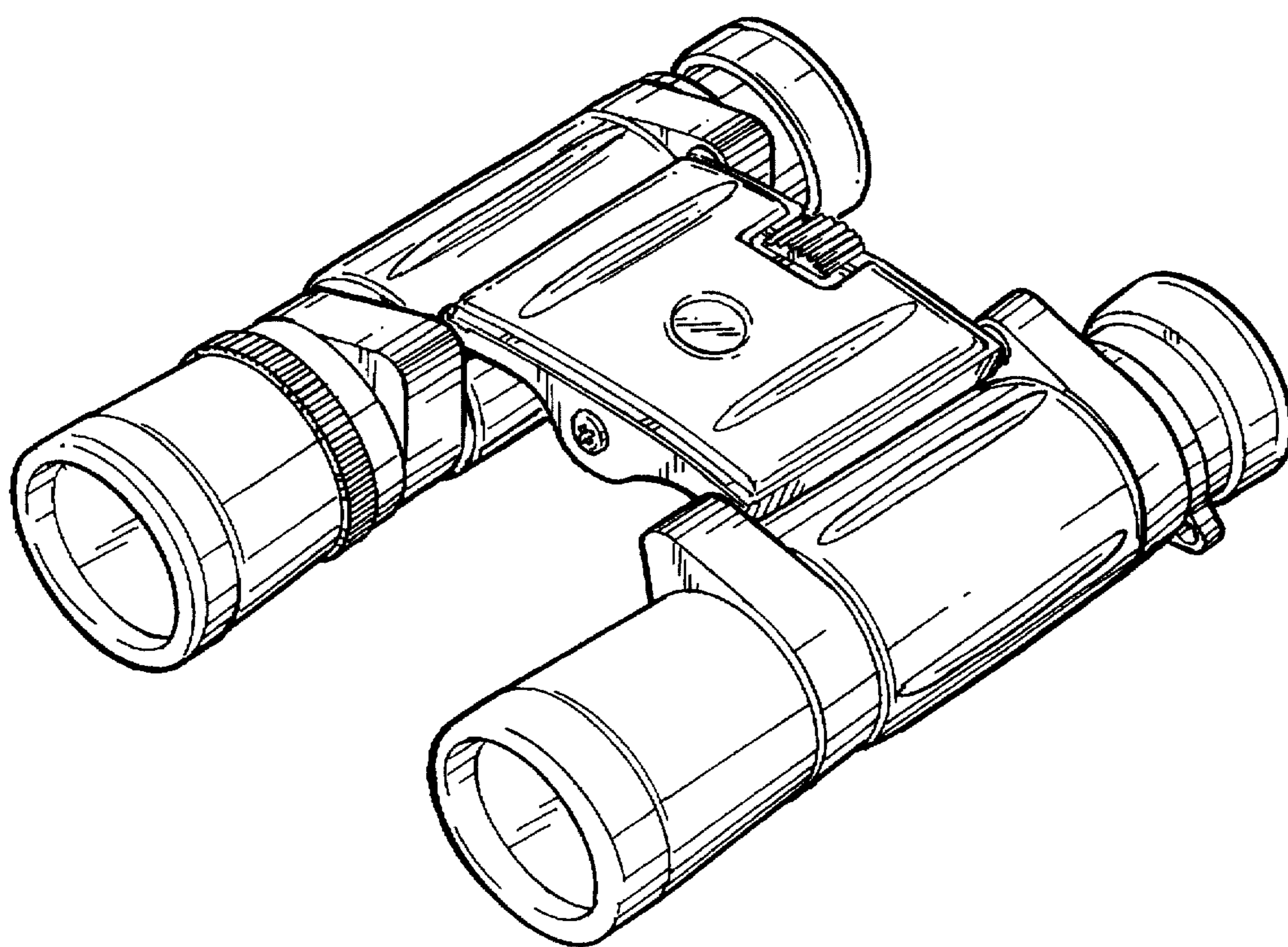


FIG. 10

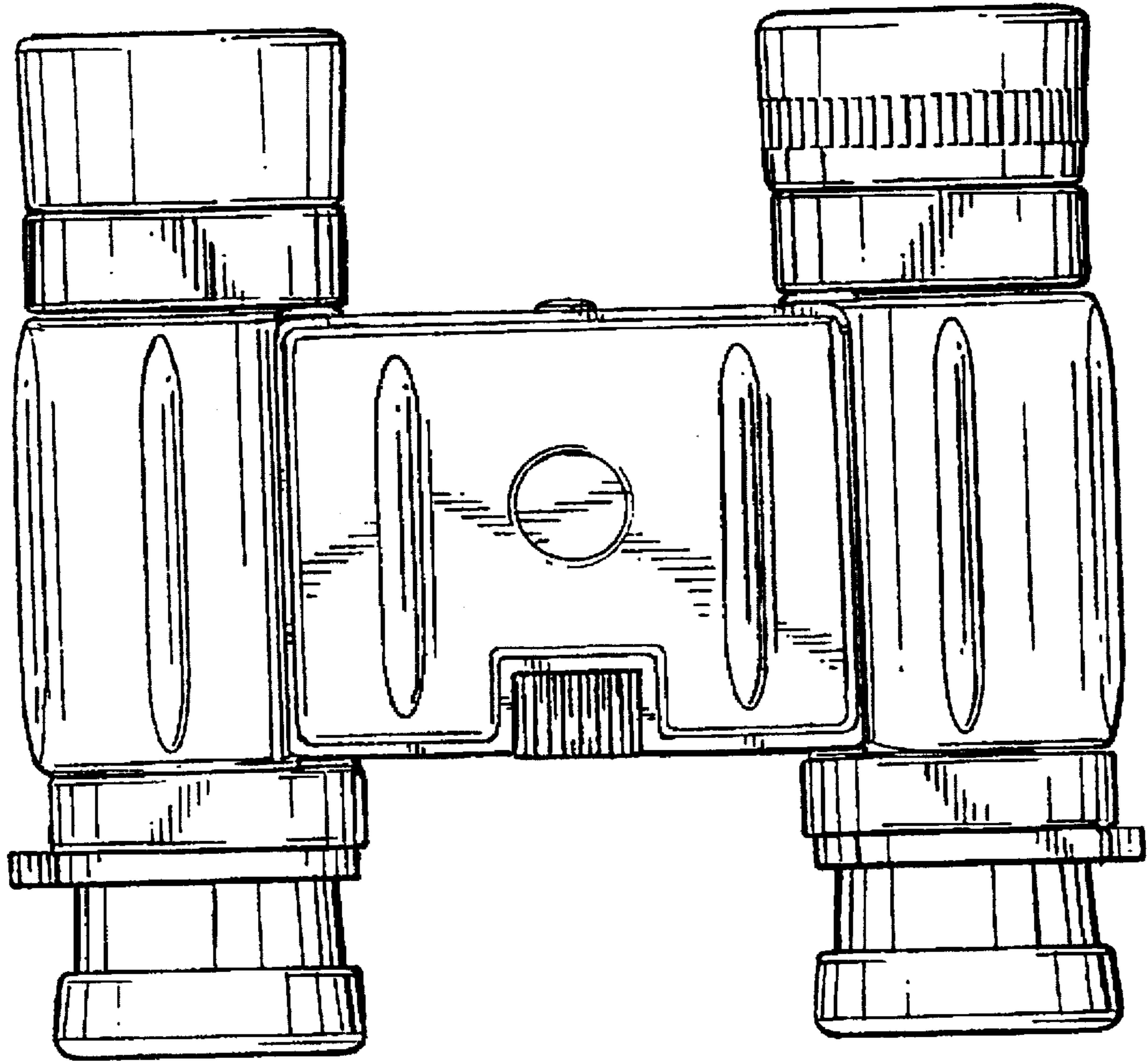


FIG. 11

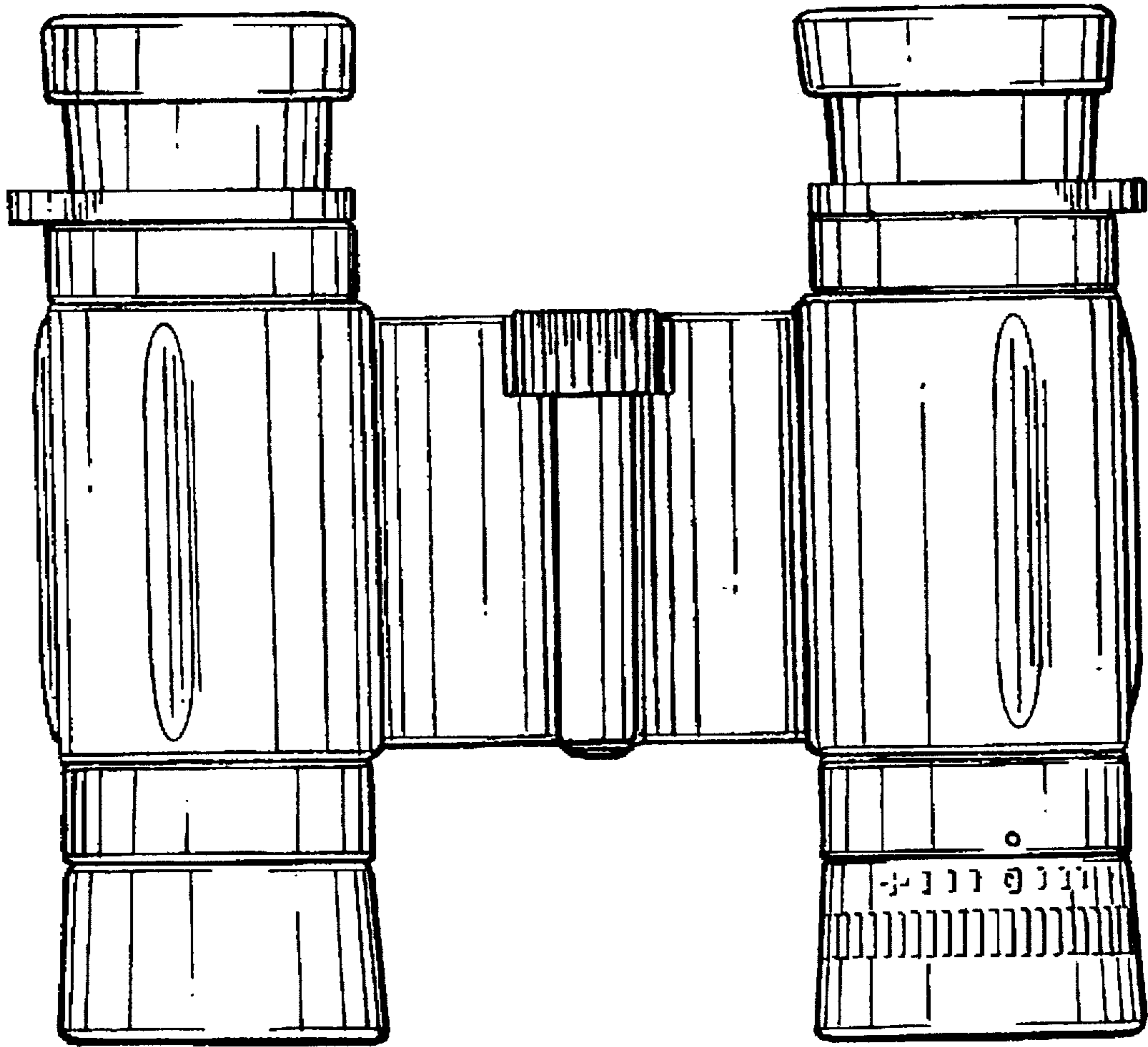


FIG. 12

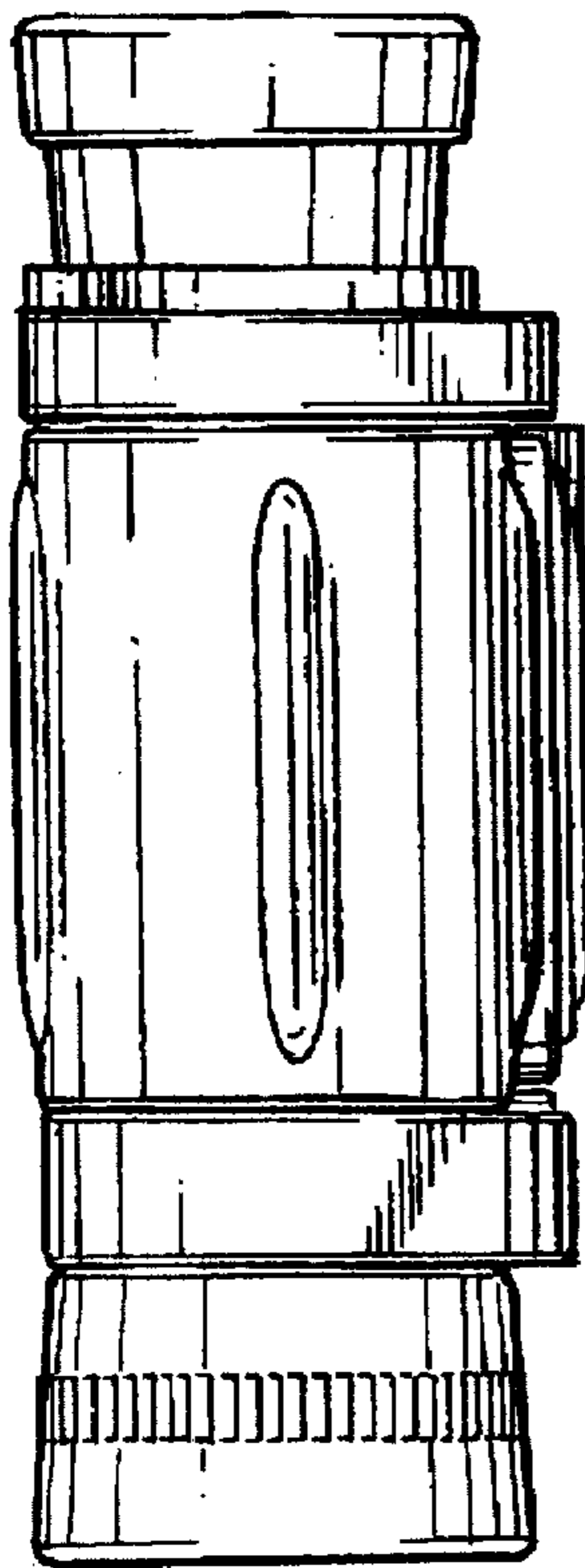


FIG. 13

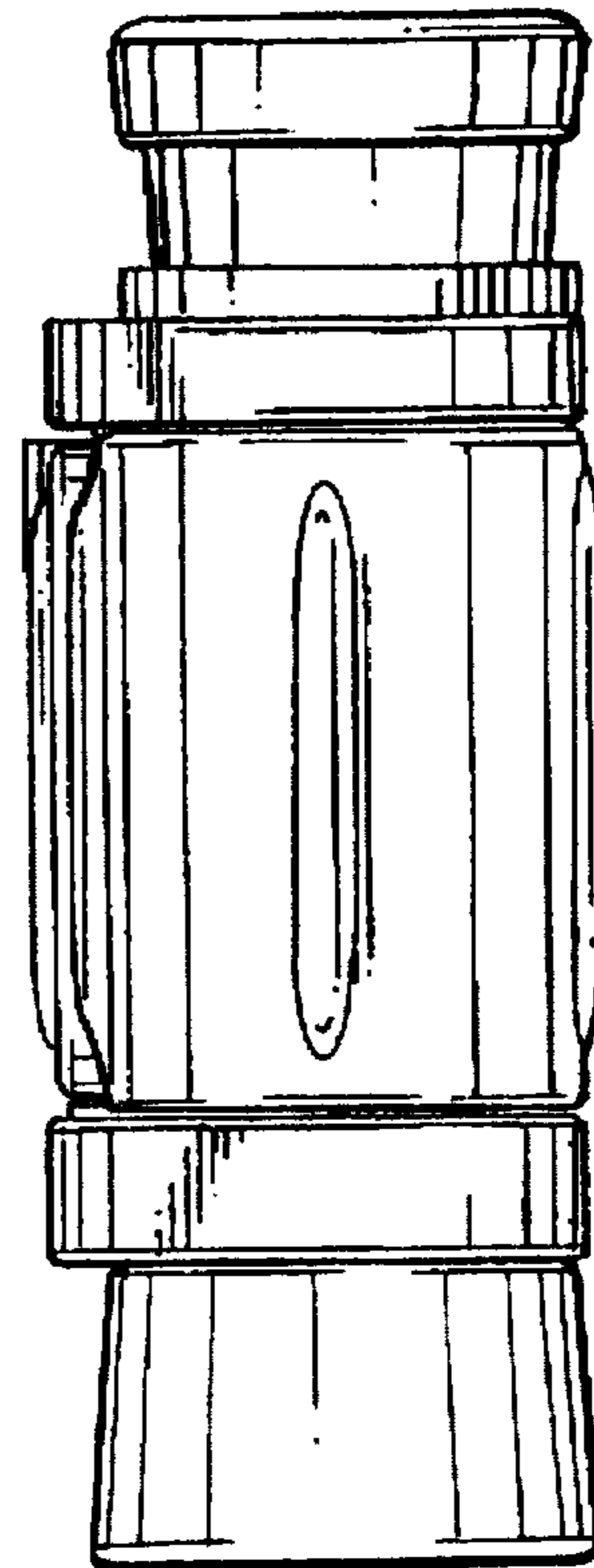


FIG. 14

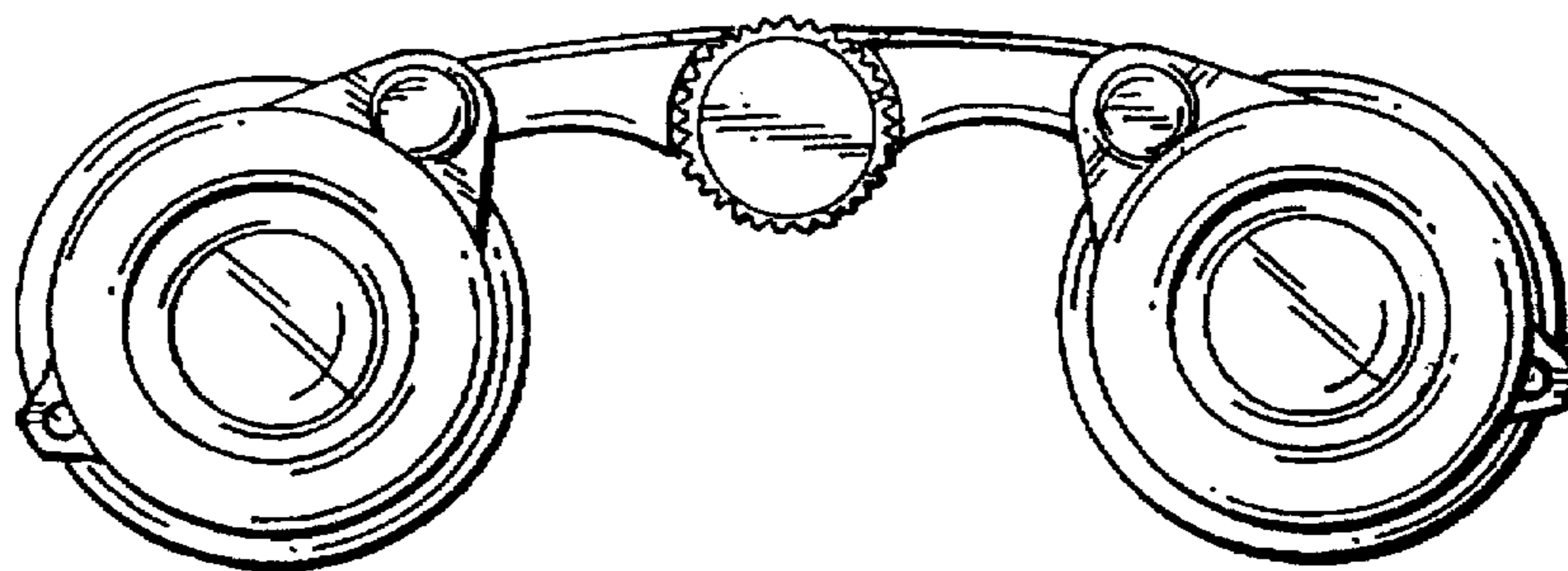


FIG. 15

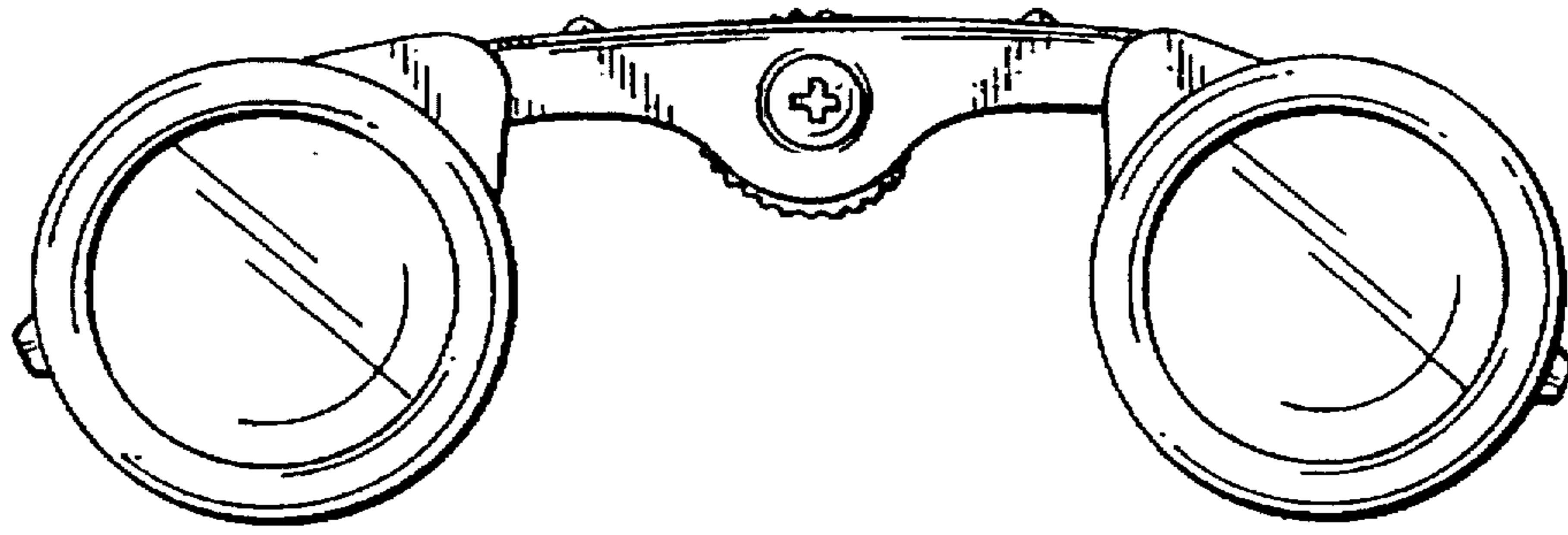


FIG. 16

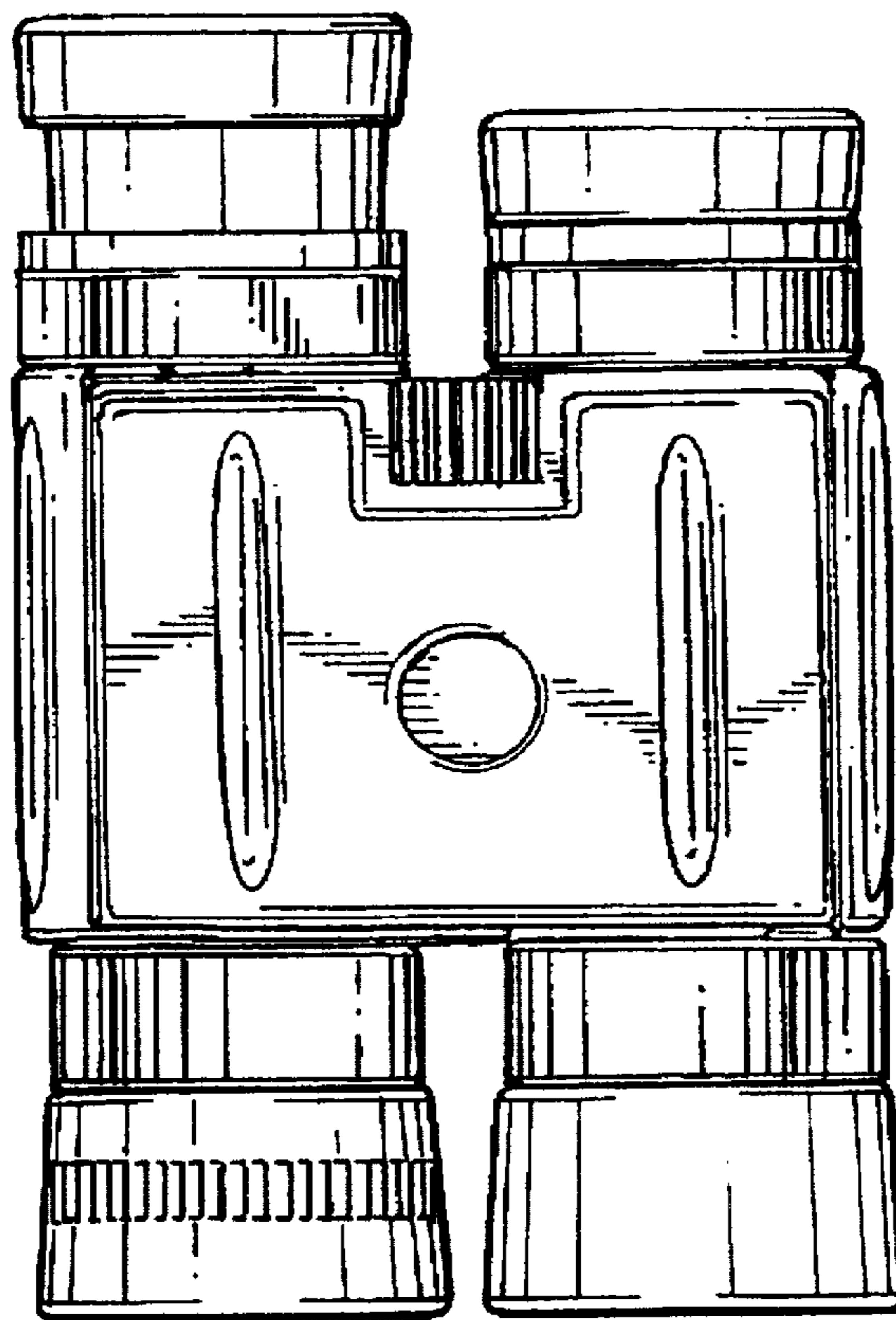


FIG. 17

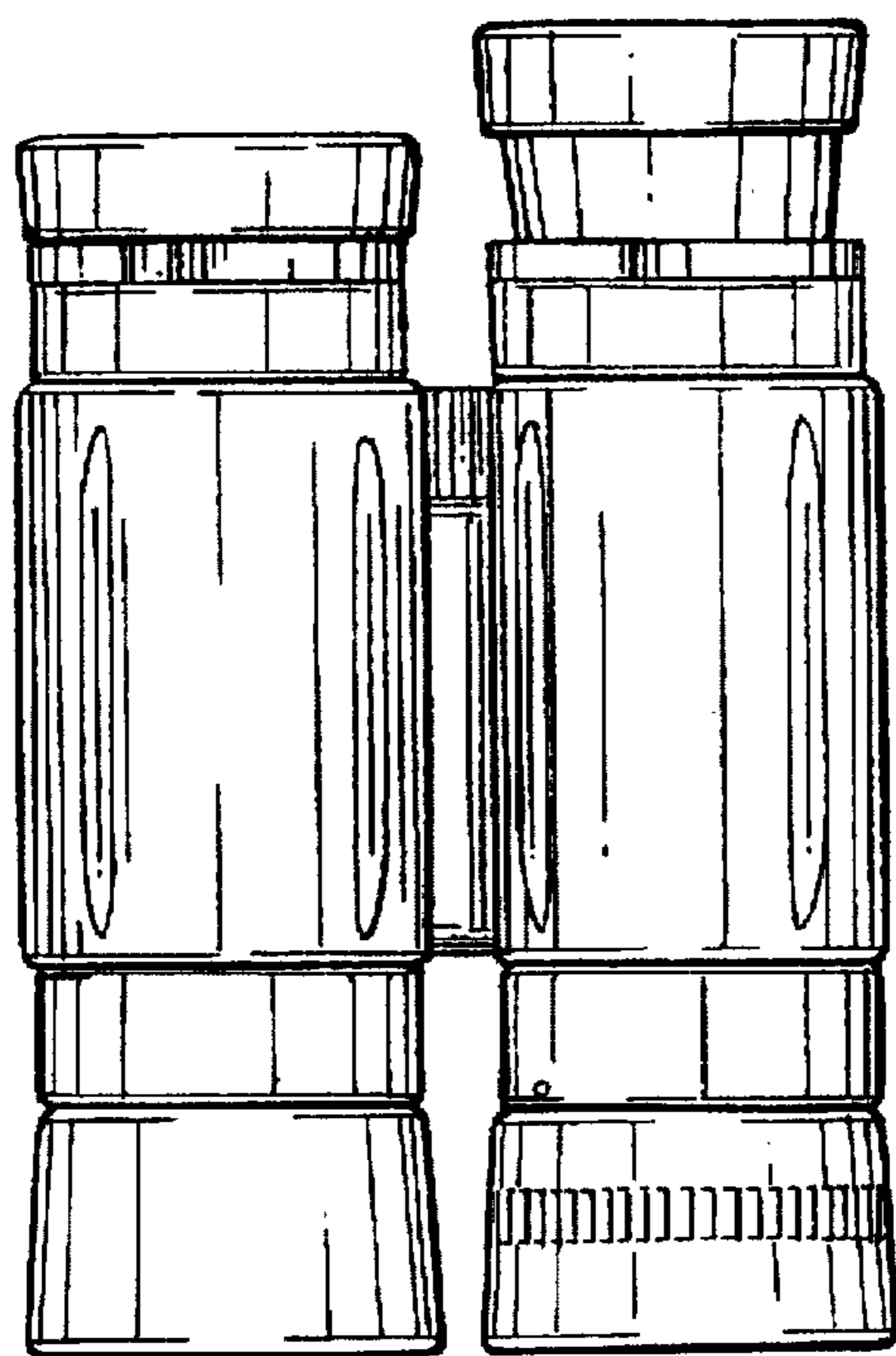


FIG. 18

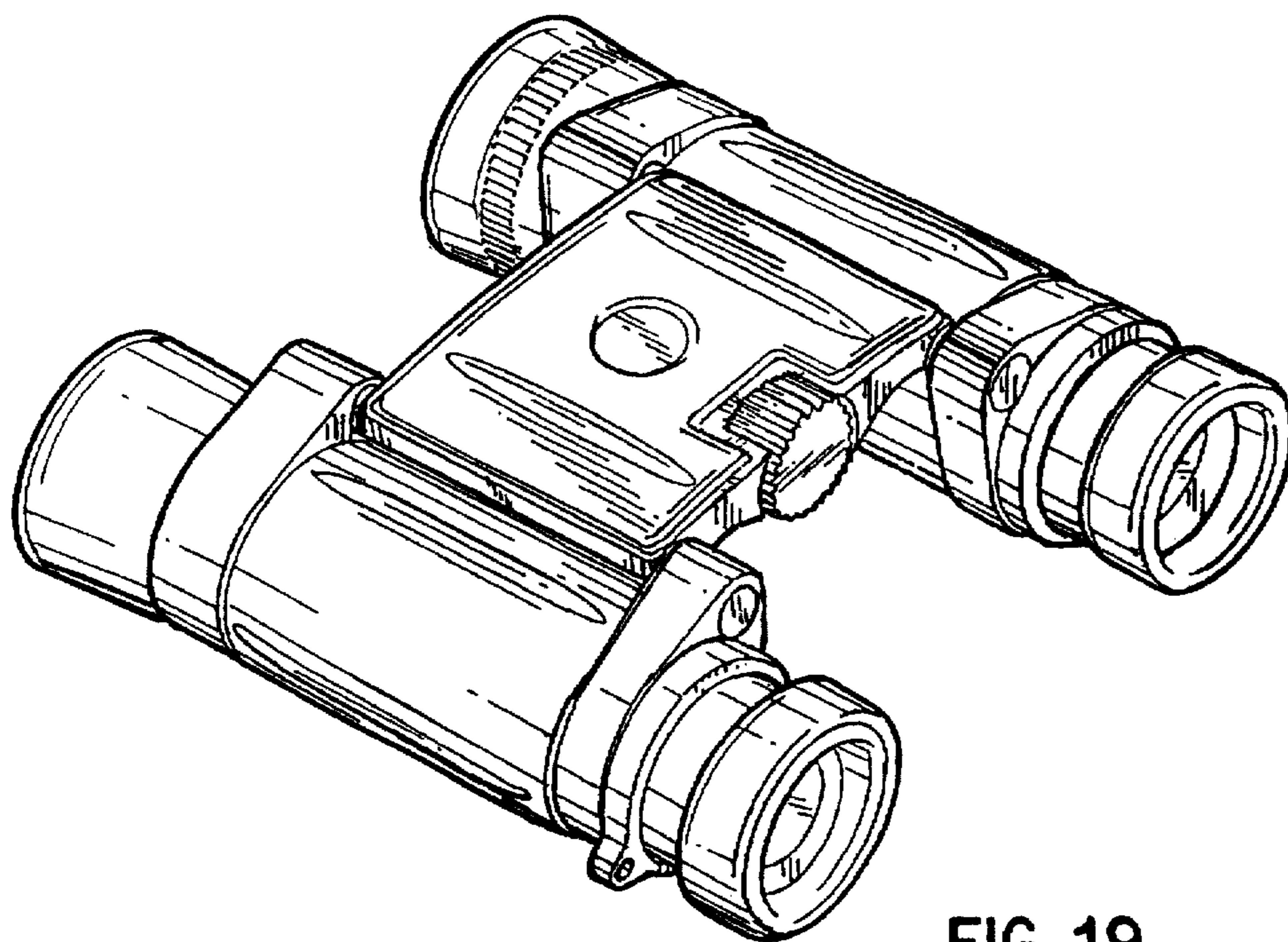


FIG. 19

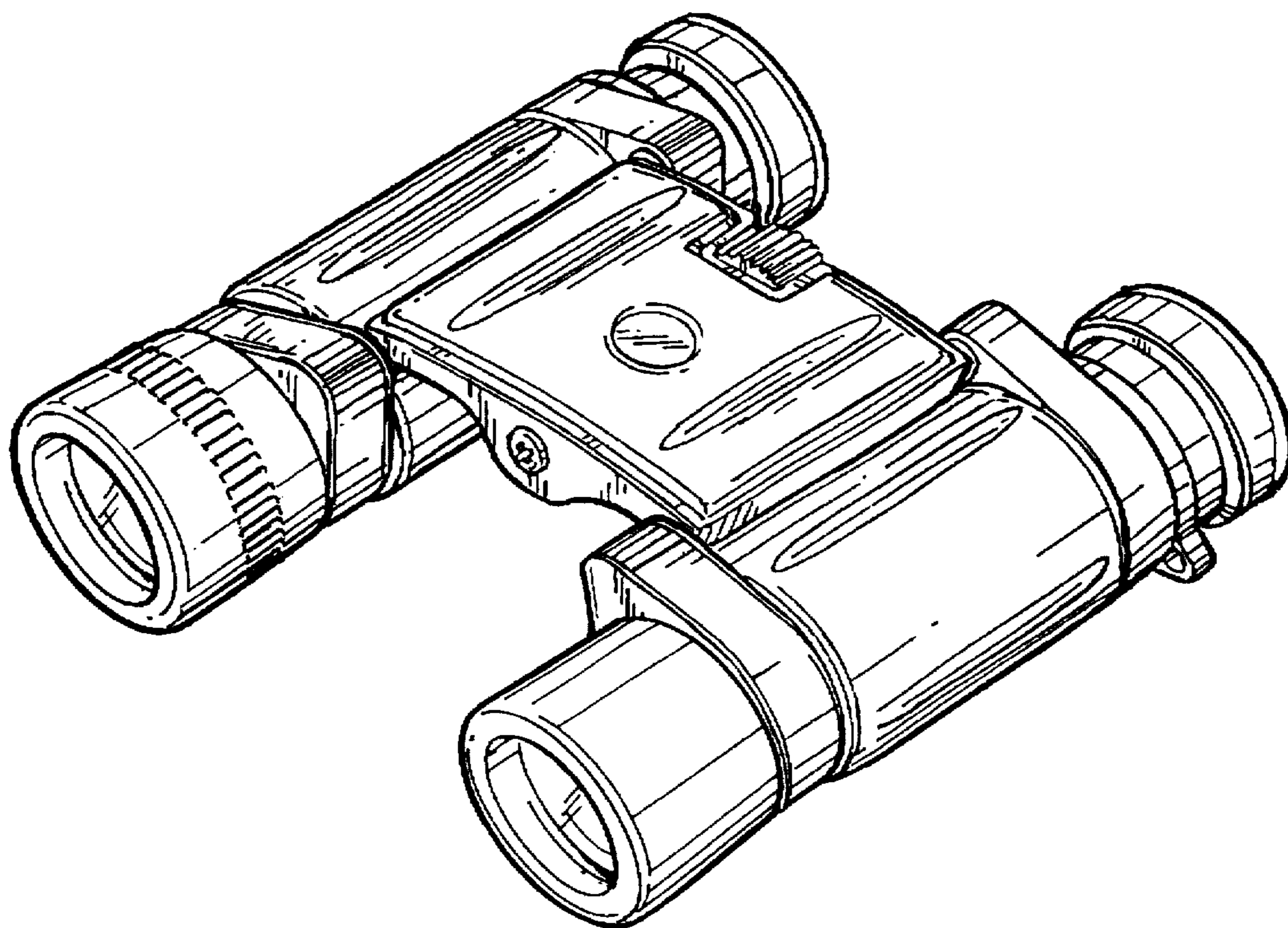


FIG. 20