



US00D391974S

United States Patent [19]
Brutscher

[11] **Patent Number:** **Des. 391,974**
[45] **Date of Patent:** ****Mar. 10, 1998**

- [54] **HOLE SAW**
- [75] **Inventor:** **David T. Brutscher**, Louisville, Ky.
- [73] **Assignee:** **Credo Tool Company**, Woodburn, Oreg.
- [**] **Term:** **14 Years**
- [21] **Appl. No.:** **58,213**
- [22] **Filed:** **Aug. 9, 1996**
- [51] **LOC (6) Cl.** **15-09**
- [52] **U.S. Cl.** **D15/139**
- [58] **Field of Search** **D8/70; D15/138, D15/139; 408/200-225**

4,741,651 5/1988 Despres 408/209
 5,597,274 1/1997 Behner 408/204

Primary Examiner—Antoine Duval Davis
Attorney, Agent, or Firm—McDermott, Will & Emery

[57] **CLAIM**

The ornamental design for a hole saw, as shown and described.

DESCRIPTION

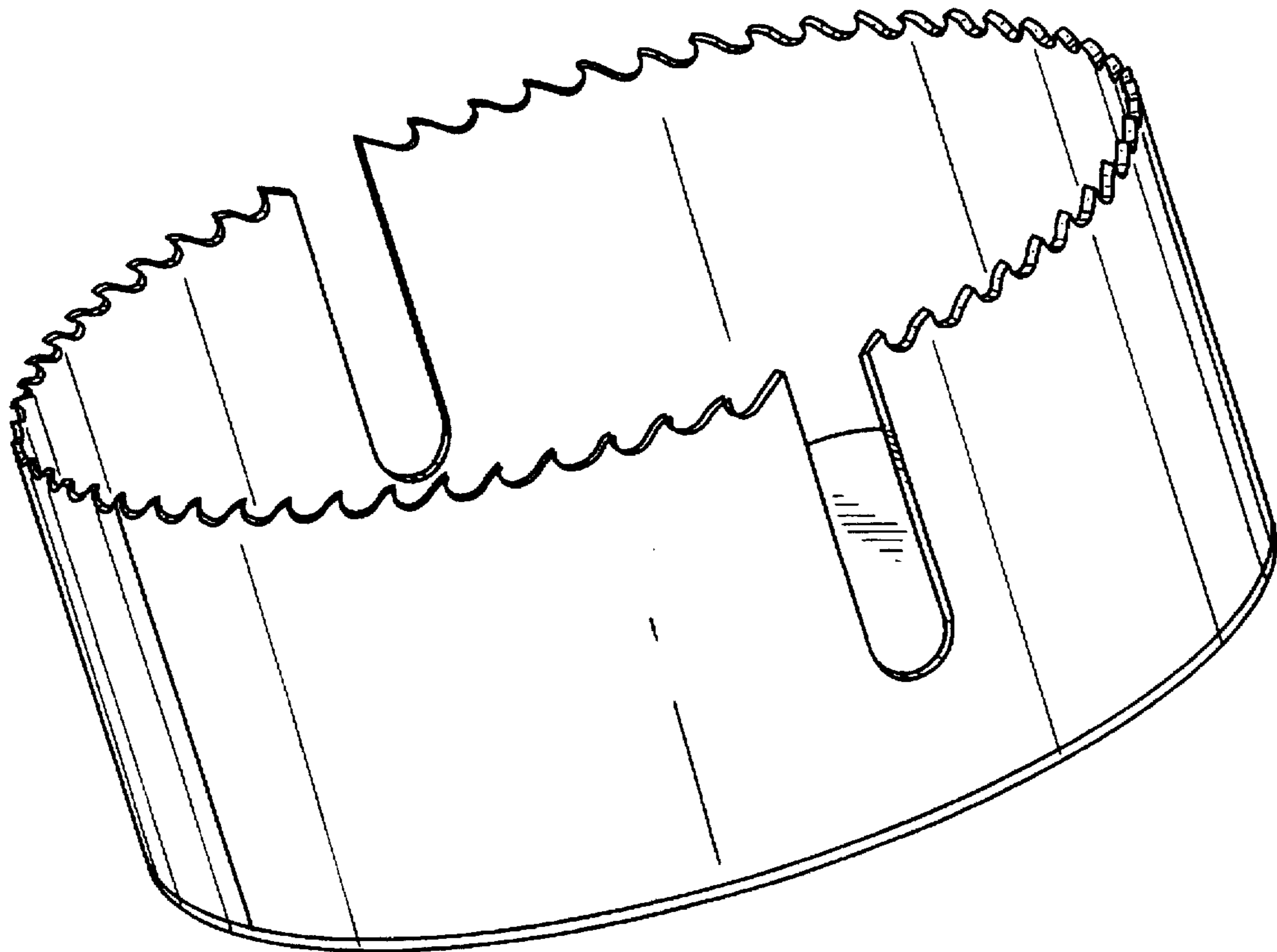
FIG. 1 shows a perspective view of the hole saw of the present design;
 FIG. 2 shows a right side view of the hole saw of the present design, the left side view diametrically opposite the right side view of FIG. 2 being a mirror image;
 FIG. 3 shows a top view of the hole saw of the present design; and,
 FIG. 4 shows a bottom view of the hole saw of the present design.
 The broken lines disclosure illustrated in the drawings are for illustration purposes only and form no part of the claimed design.

[56] **References Cited**

U.S. PATENT DOCUMENTS

- 3,880,546 4/1975 Segal 408/204
- 4,069,824 1/1978 Weinstock 408/204 X
- 4,072,441 2/1978 LaPointe 408/204
- 4,303,357 12/1981 Maker 408/204

1 Claim, 4 Drawing Sheets



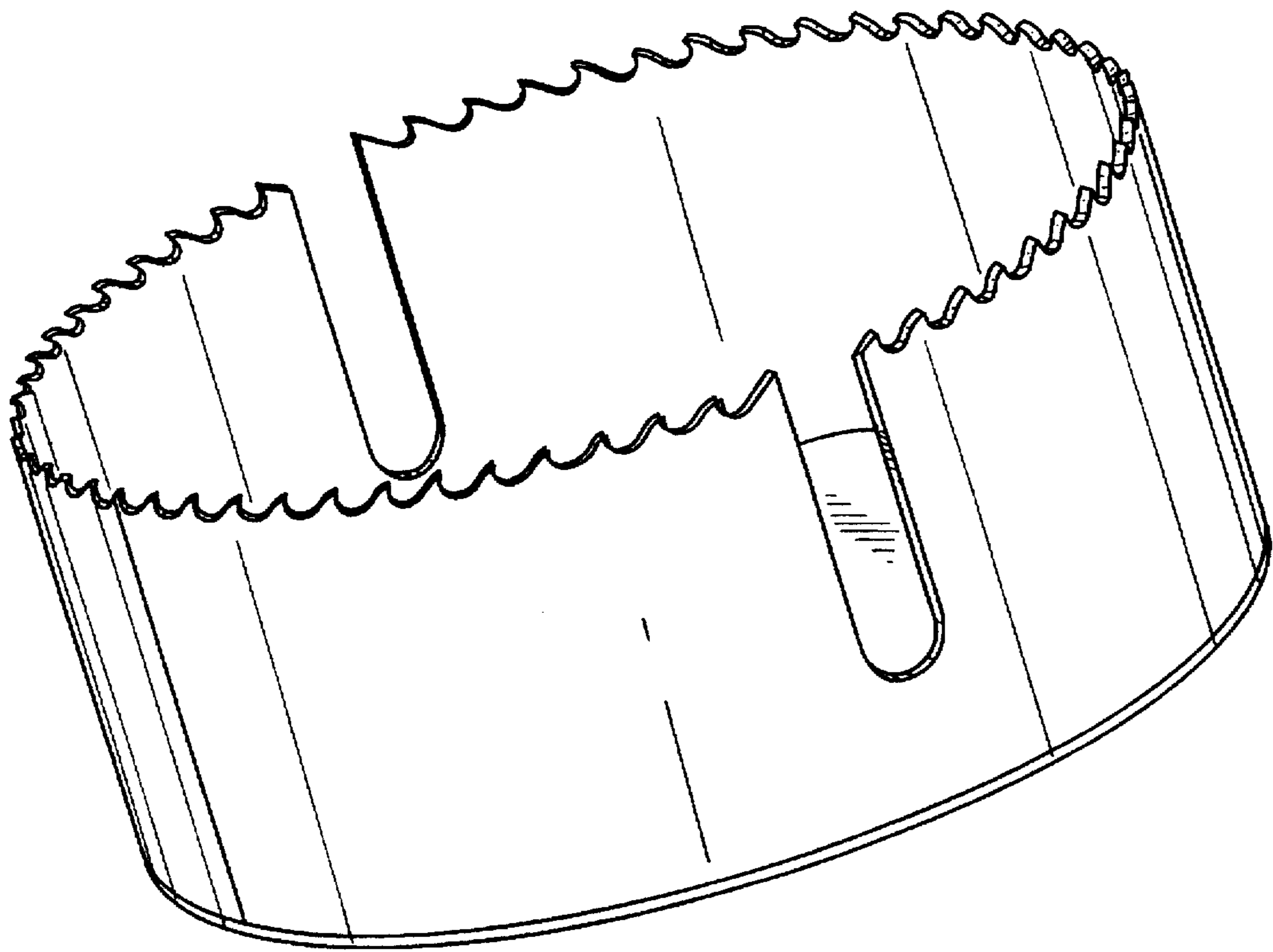


FIG. 1

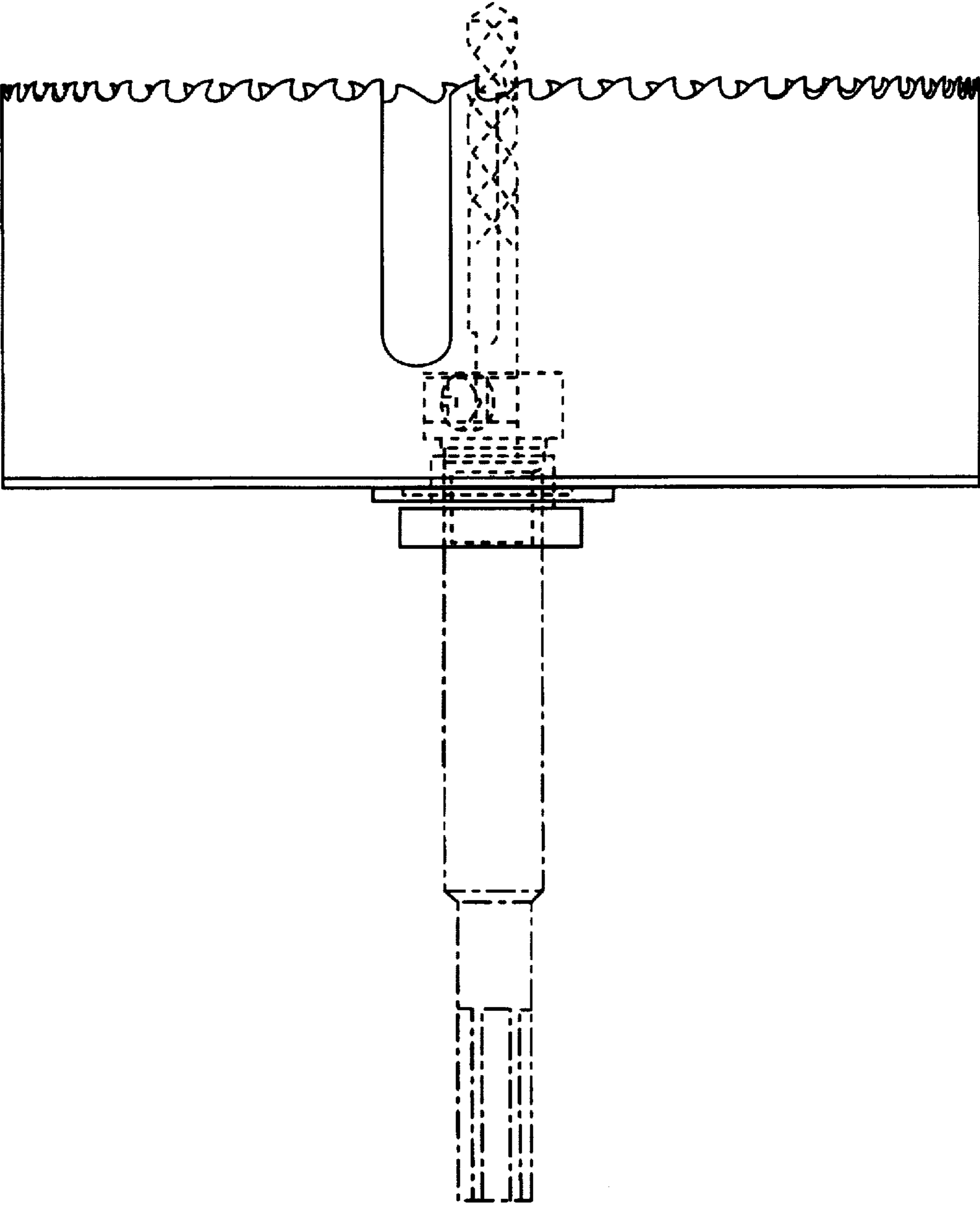


FIG. 2

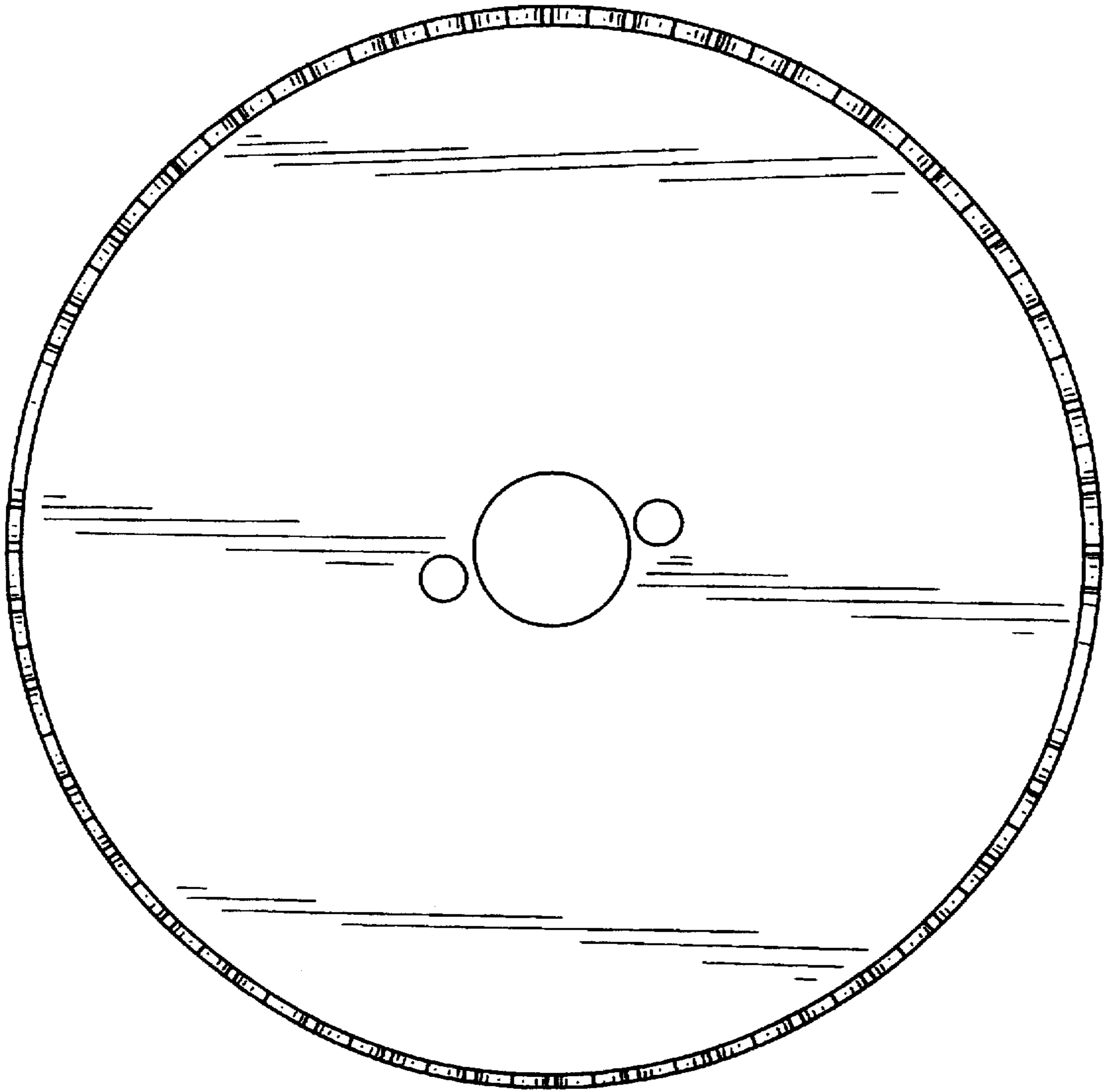


FIG. 3

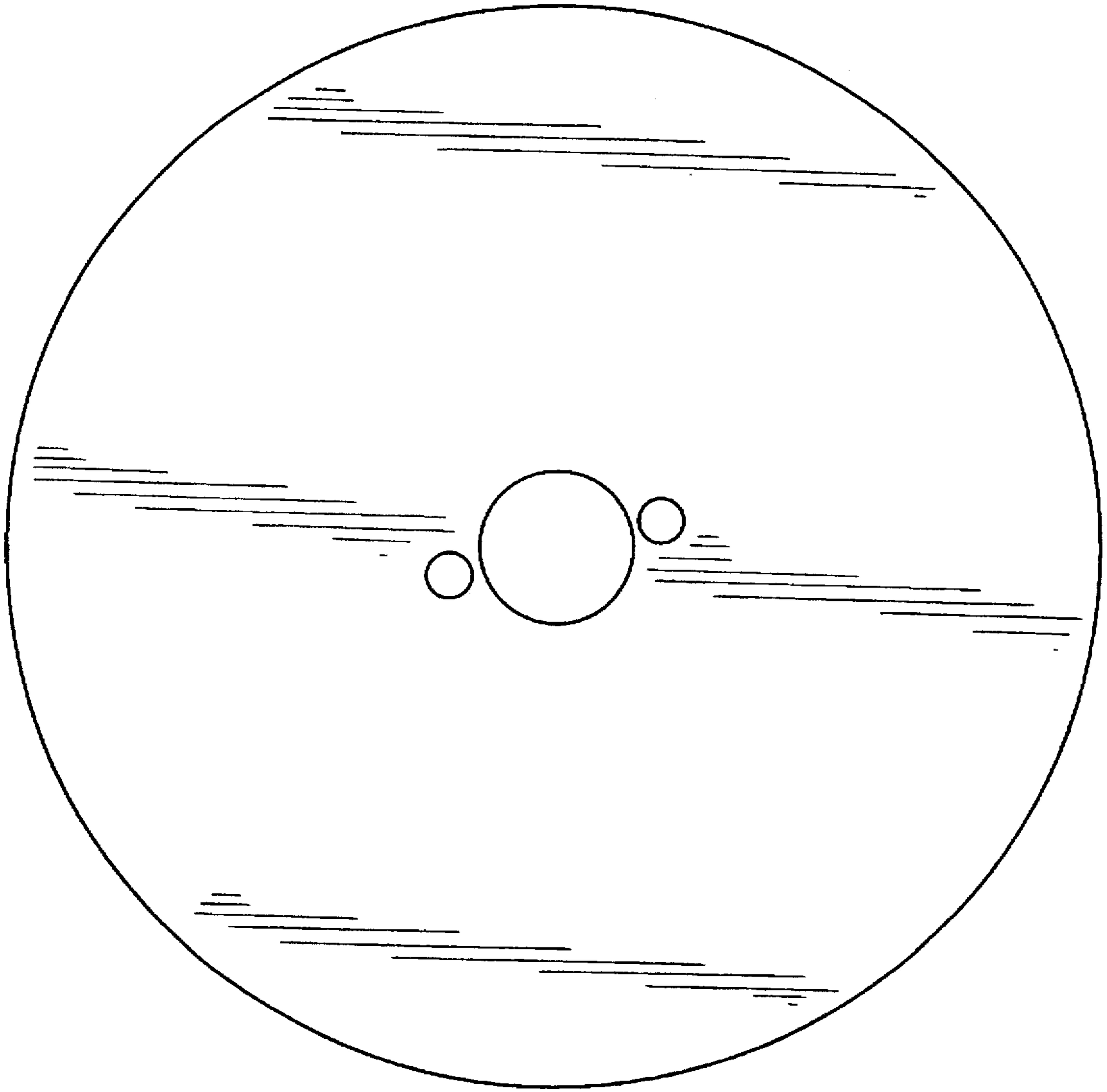


FIG. 4